



US00D577210S

(12) **United States Design Patent**
Murrieta

(10) **Patent No.:** **US D577,210 S**
(45) **Date of Patent:** **** Sep. 23, 2008**

(54) **CONVERTIBLE CHILD SAFETY SEAT/INFANT CARRIER**

(76) Inventor: **Anna Maria Murrieta**, 5420 E. Camino Francisco Soza Rd., Tucson, AZ (US) 85718

(**) Term: **14 Years**

(21) Appl. No.: **29/295,219**

(22) Filed: **Sep. 24, 2007**

(51) **LOC (8) Cl.** **06-01**

(52) **U.S. Cl.** **D6/333**

(58) **Field of Classification Search** D6/333, D6/335, 339, 491, 499-502; D12/129; D21/412, D21/416, 419; 280/30, 31; 5/93.1, 93.2, 5/94, 98.1, 99.1, 101, 102, 655; 297/183.1, 297/183.2, 183.3, 183.4, 184.14, 185.15, 297/250.1, 255, 256.15, 256.16

See application file for complete search history.

(56) **References Cited**

U.S. PATENT DOCUMENTS

3,031,229	A *	4/1962	Symbaluk	297/467
D212,801	S *	11/1968	Aarnio	D6/365
D223,443	S *	4/1972	Glaser	D6/335
D245,924	S *	9/1977	Hansen	D25/35
D282,970	S *	3/1986	Parkin	D25/16

D302,410	S *	7/1989	Tucker et al.	D12/129
D346,070	S *	4/1994	Kither	D6/333
D371,248	S *	7/1996	Niessen et al.	D6/333
D420,520	S *	2/2000	Johnston	D6/334
6,439,660	B1 *	8/2002	Guenther	297/216.11
D502,896	S *	3/2005	Pullam	D12/129
D562,190	S *	2/2008	Quinn	D12/129

* cited by examiner

Primary Examiner—Sandra Snapp

(57) **CLAIM**

I claim, the ornamental design for the convertible child safety seat/infant carrier, as shown and described.

DESCRIPTION

FIG. 1 is a left side elevational view of the convertible child safety seat/infant carrier showing my new design;

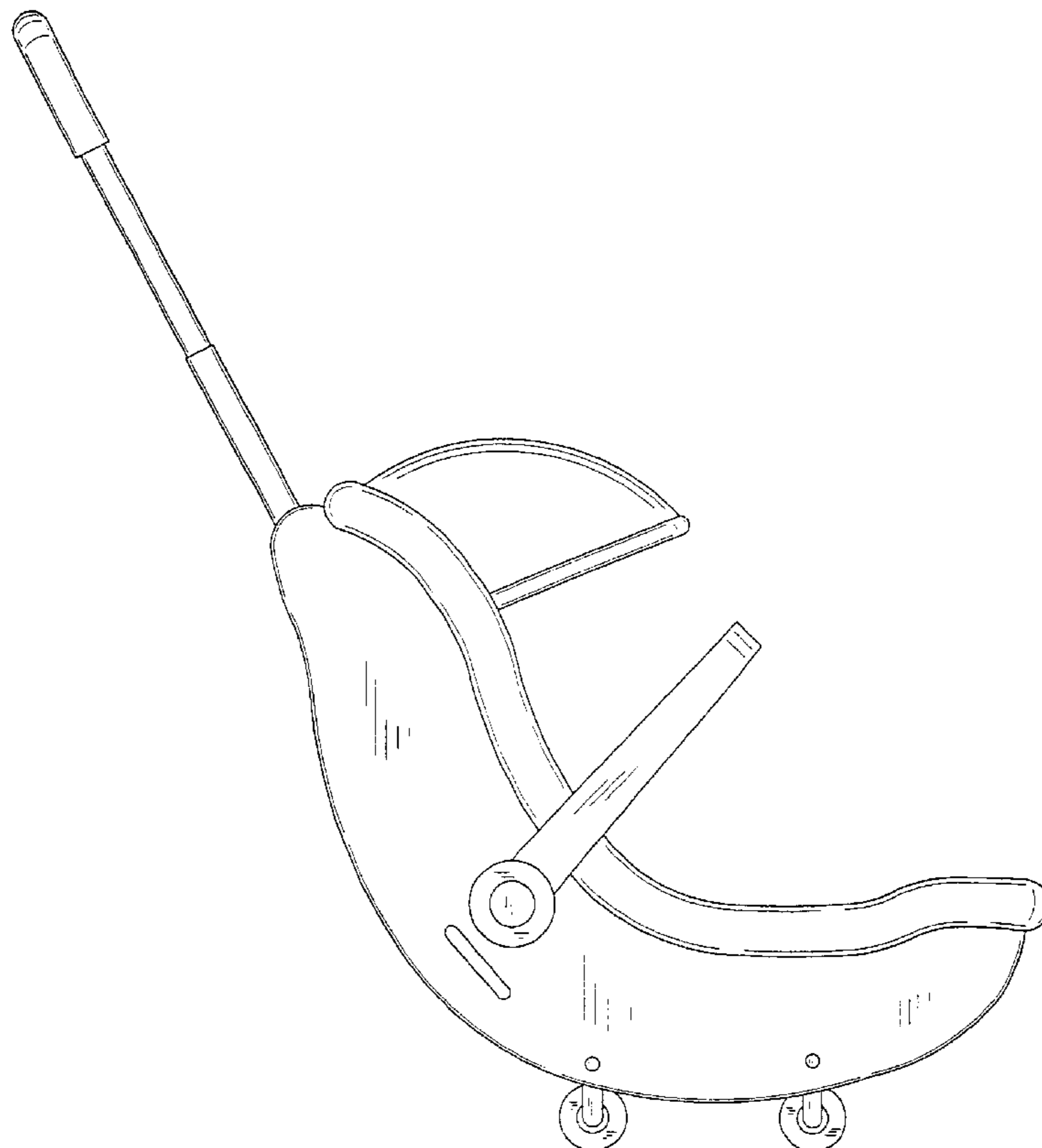
FIG. 2 is a rear elevational view of the convertible child safety seat/infant carrier thereof;

FIG. 3 is a front elevational view of the convertible child safety seat/infant carrier thereof;

FIG. 4 is a top plan view of the convertible child safety seat/infant carrier thereof; and,

FIG. 5 is a bottom plan view of the convertible child safety seat/infant carrier thereof.

1 Claim, 3 Drawing Sheets



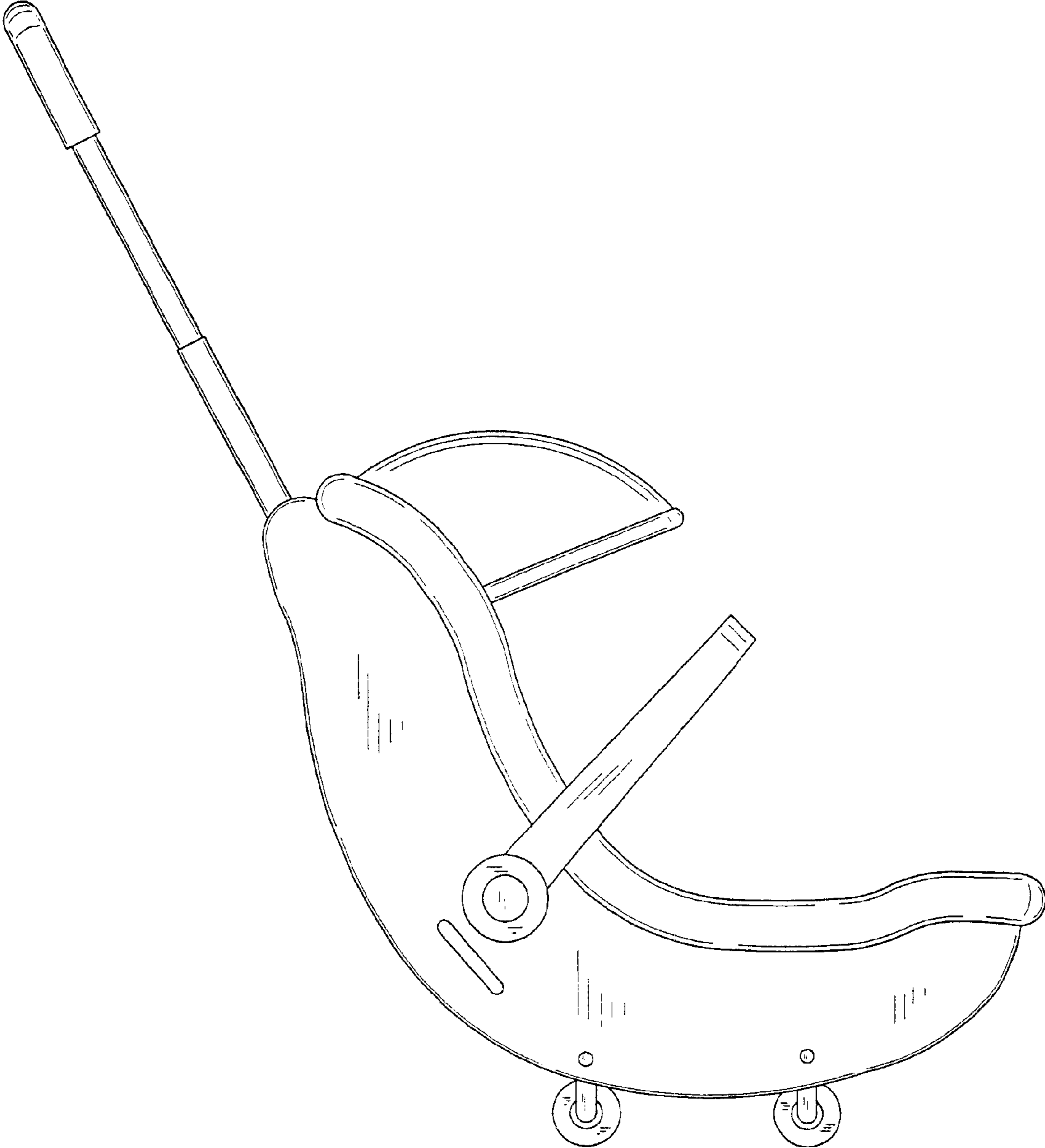


FIG. 1

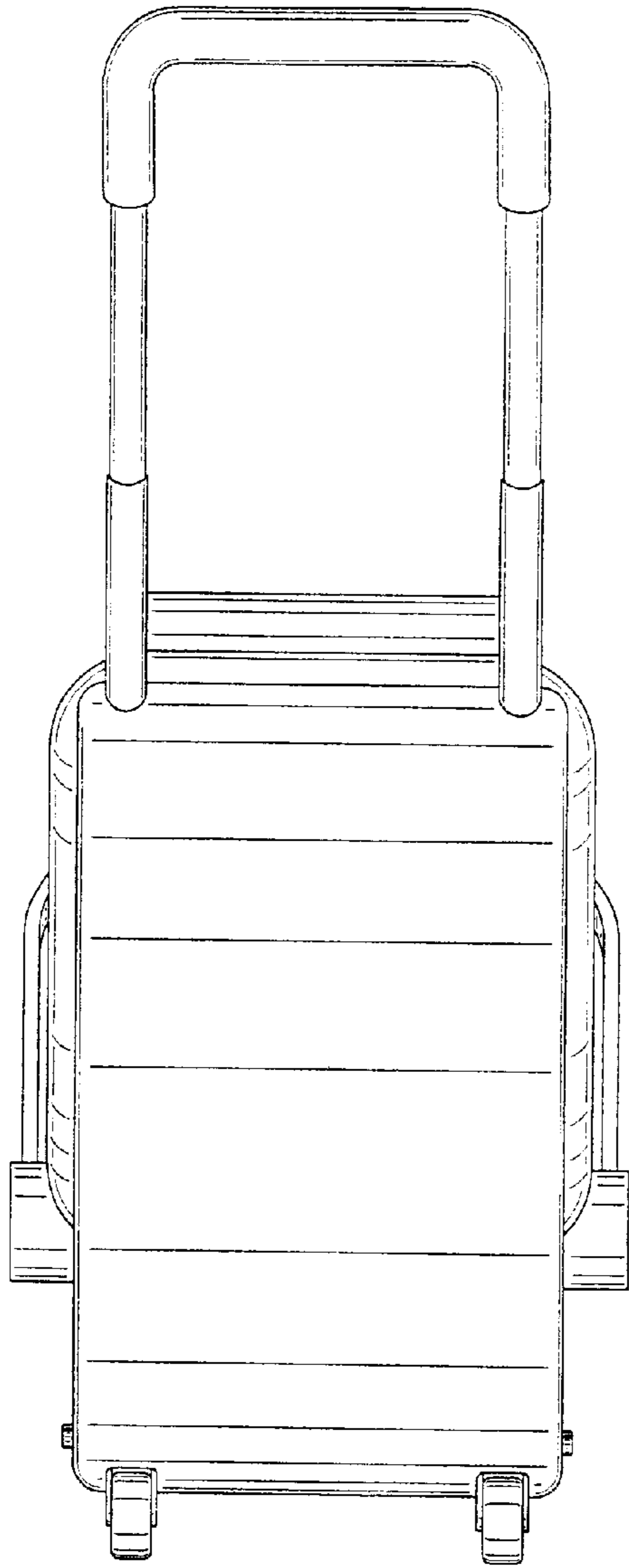


FIG. 2

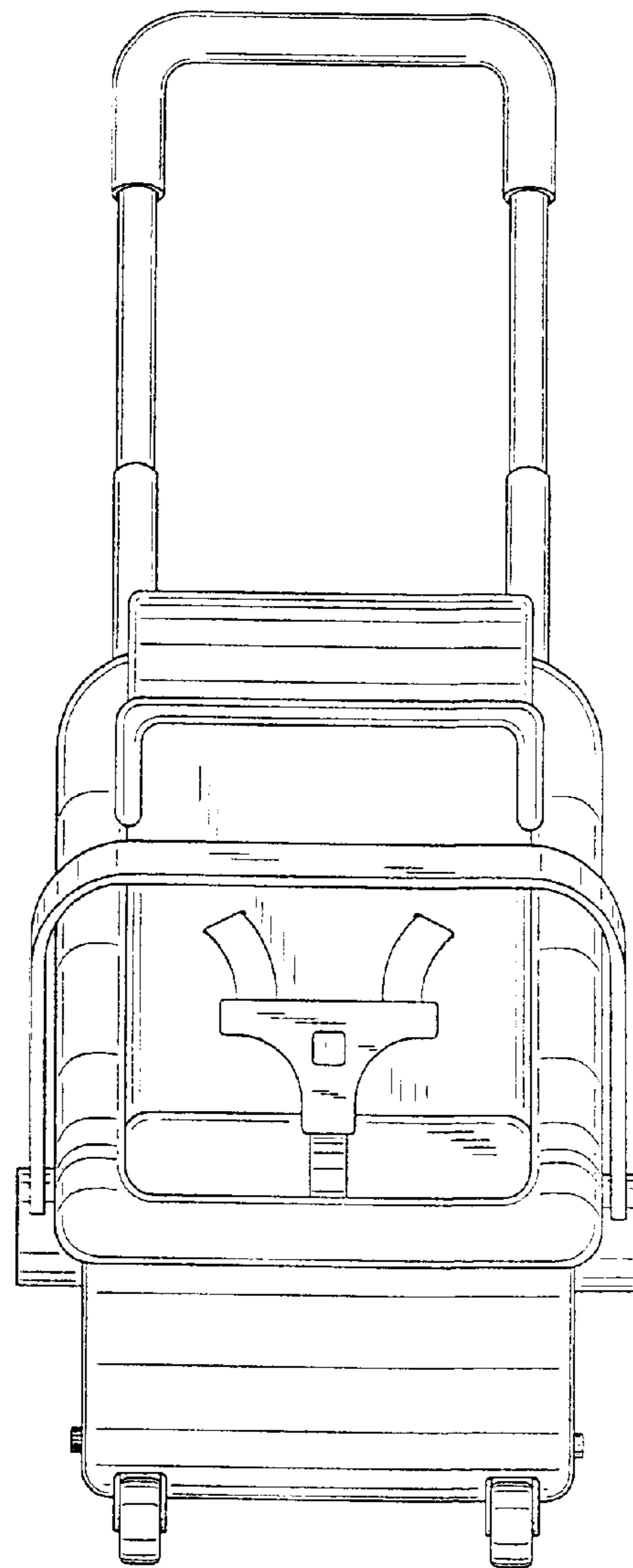


FIG. 3

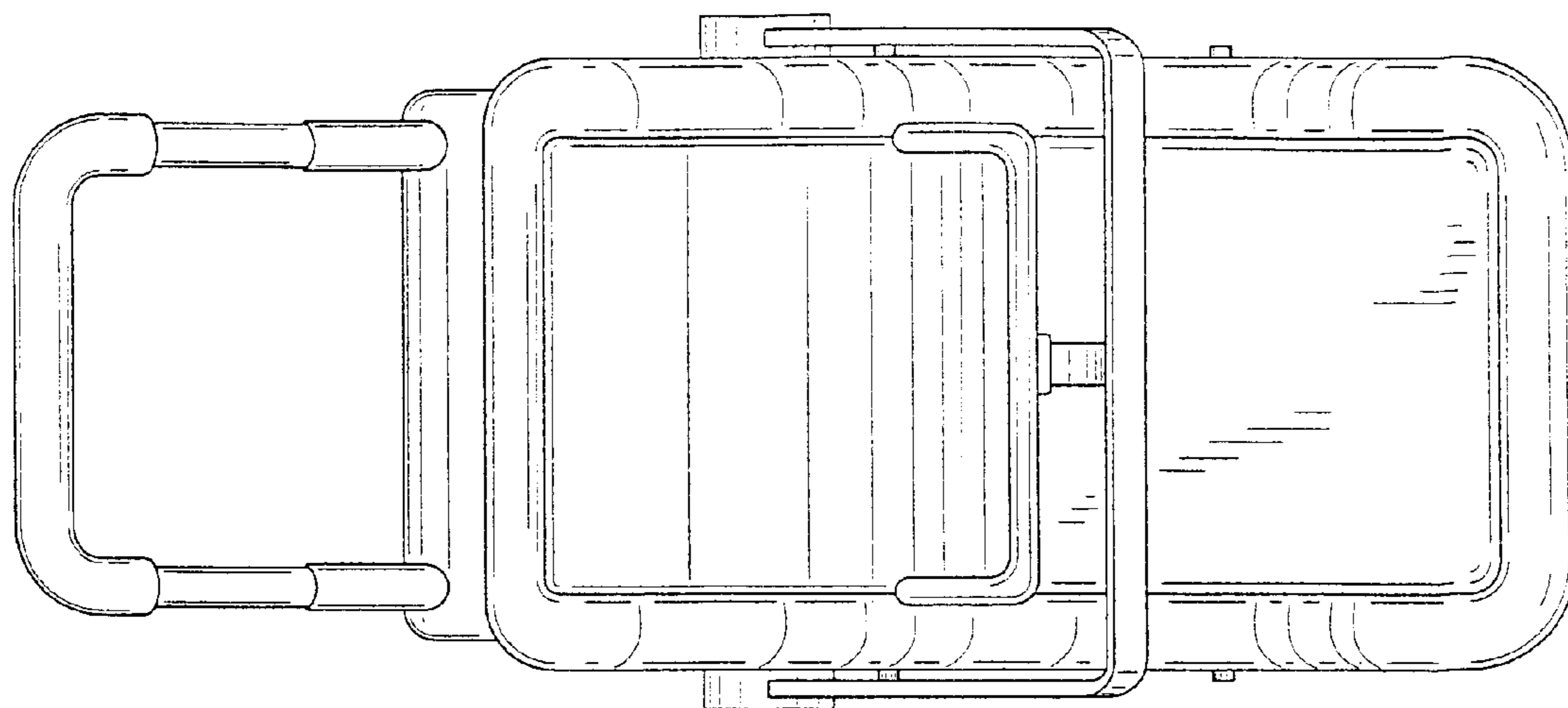


FIG. 4

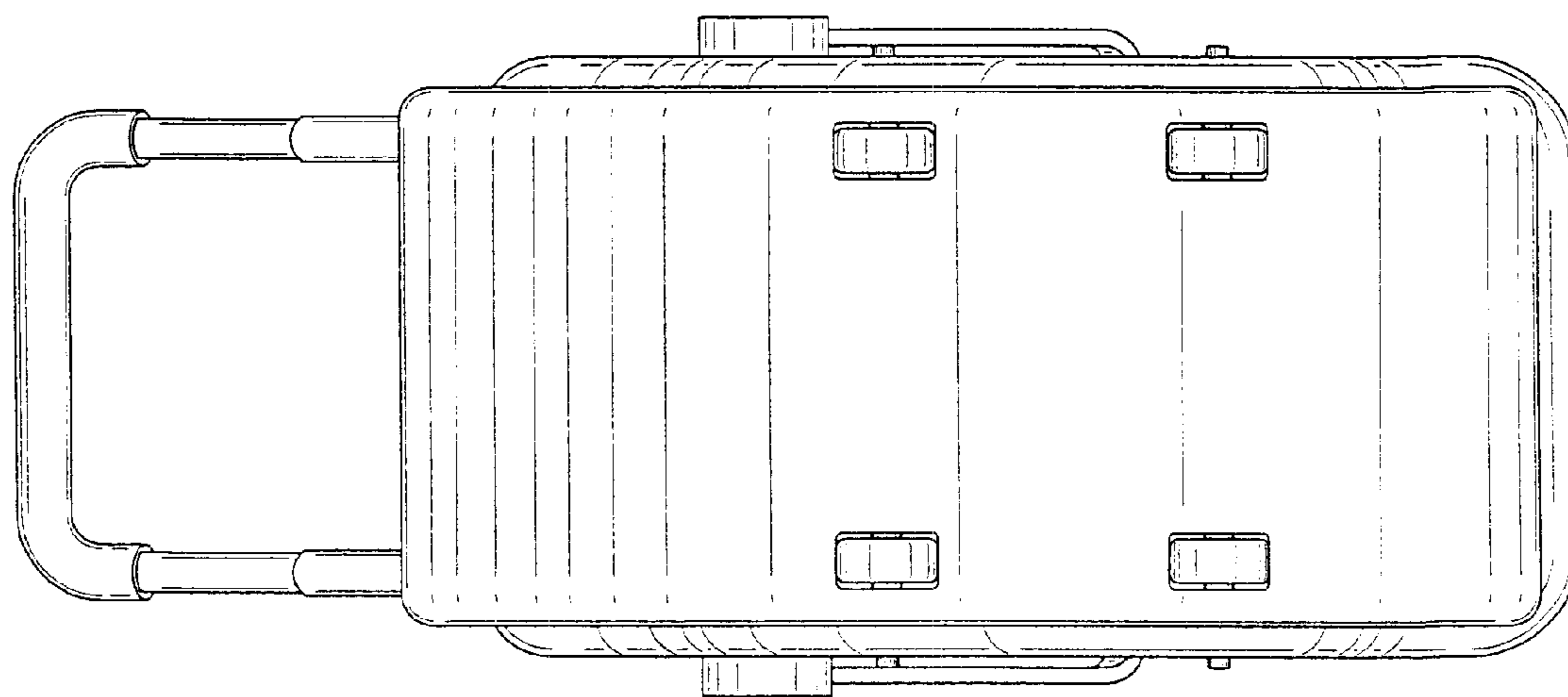


FIG. 5