



US00D577208S

(12) **United States Design Patent**  
**Thompson**

(10) **Patent No.:** **US D577,208 S**

(45) **Date of Patent:** **\*\* Sep. 23, 2008**

(54) **DRESSER MIRROR**

(75) Inventor: **David W. Thompson**, New Albany, OH (US)

(73) Assignee: **American Signature, Inc.**, Columbus, OH (US)

(\*\*) Term: **14 Years**

(21) Appl. No.: **29/275,547**

(22) Filed: **Dec. 29, 2006**

(51) **LOC (8) Cl.** ..... **06-07**

(52) **U.S. Cl.** ..... **D6/309**

(58) **Field of Classification Search** ..... D6/300-314,  
D6/568, 444, 428; 40/700, 711, 722, 734,  
40/738, 745, 747, 765, 790, 798, 774, 776;  
D19/26; D23/366

See application file for complete search history.

(56) **References Cited**

**U.S. PATENT DOCUMENTS**

D101,782 S	*	11/1936	Krick	.....	D6/428
D106,297 S	*	10/1937	Krick	.....	D6/428
D308,921 S	*	7/1990	Keller	.....	D6/397
D483,574 S	*	12/2003	Wanek et al.	.....	D6/309
D487,200 S	*	3/2004	Wanek et al.	.....	D6/444
D529,724 S	*	10/2006	Mohundro	.....	D6/309

\* cited by examiner

*Primary Examiner*—Caron D. Veynar  
*Assistant Examiner*—Sydney R. Buffalow

(74) *Attorney, Agent, or Firm*—Wood, Herron & Evans, L.L.P.

(57) **CLAIM**

The ornamental design for a dresser mirror, as shown and described.

**DESCRIPTION**

FIG. 1 is a perspective view of a dresser mirror showing my new design.

FIG. 2 is a front elevational view thereof.

FIG. 3 is a front elevational view thereof.

FIG. 4 is a cross section taken along line 4—4 of FIG. 2, depicting the recessed portions of the front thereof.

FIG. 5 is a top plan view thereof.

FIG. 6 is a bottom plan view thereof.

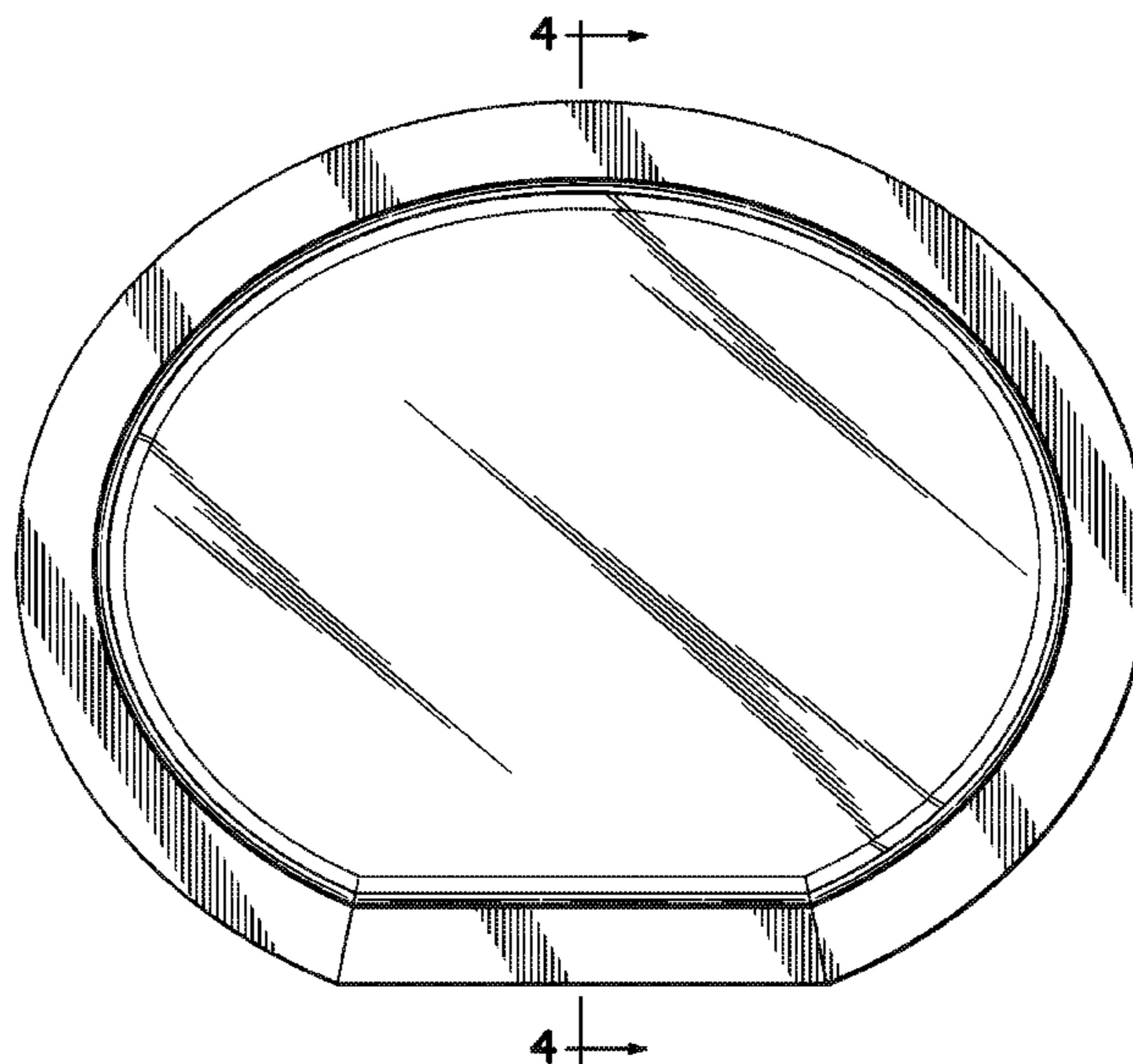
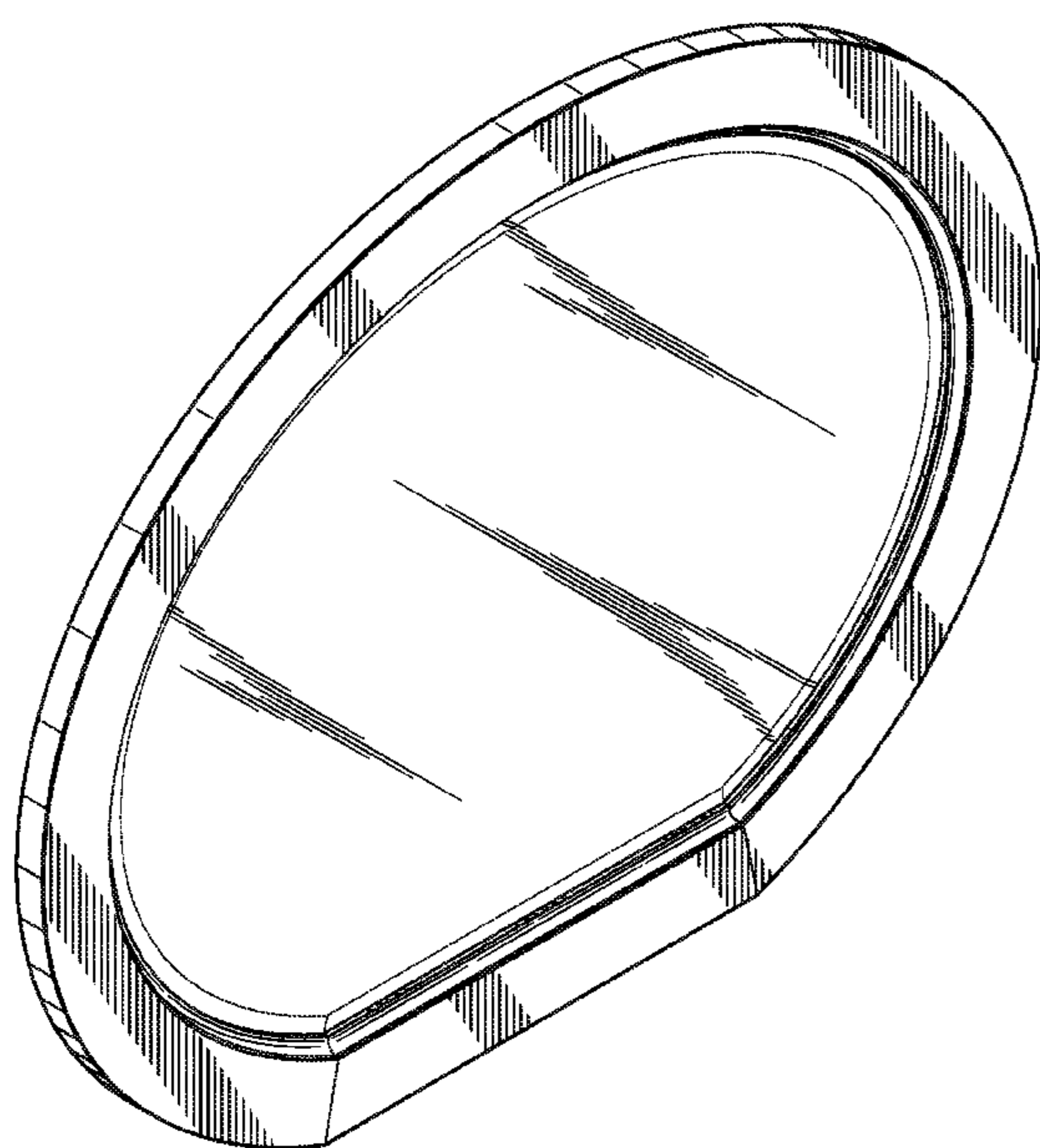
FIG. 7 is a right elevational view thereof.

FIG. 8 is a left elevational view thereof; and,

FIG. 9 is a rear elevational view thereof, drawn on a reduced scale.

The broken lines in FIG. 3 depict environment and form no part of the claimed design.

**1 Claim, 4 Drawing Sheets**



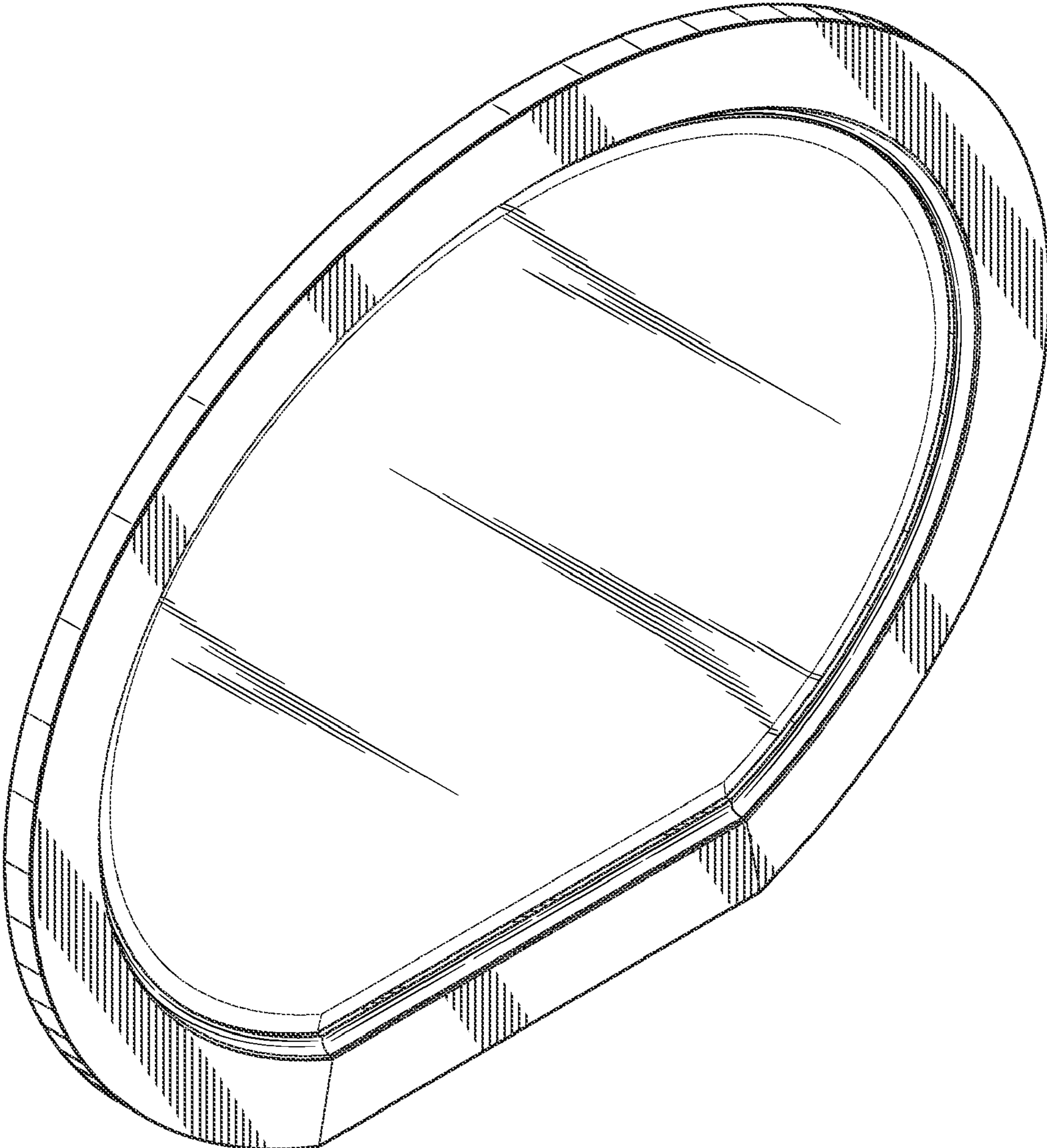
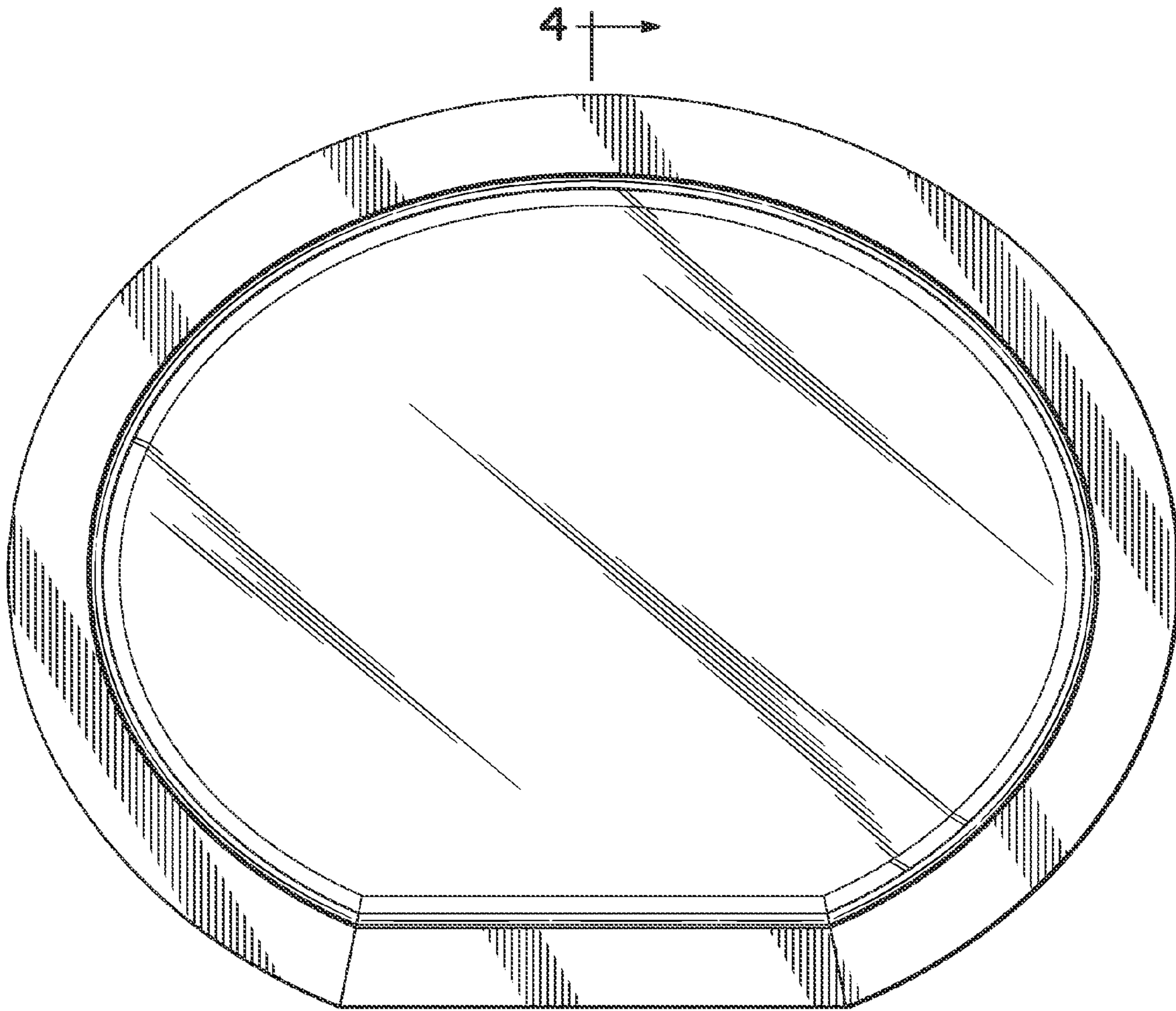


FIG. 1



4 →  
FIG. 2

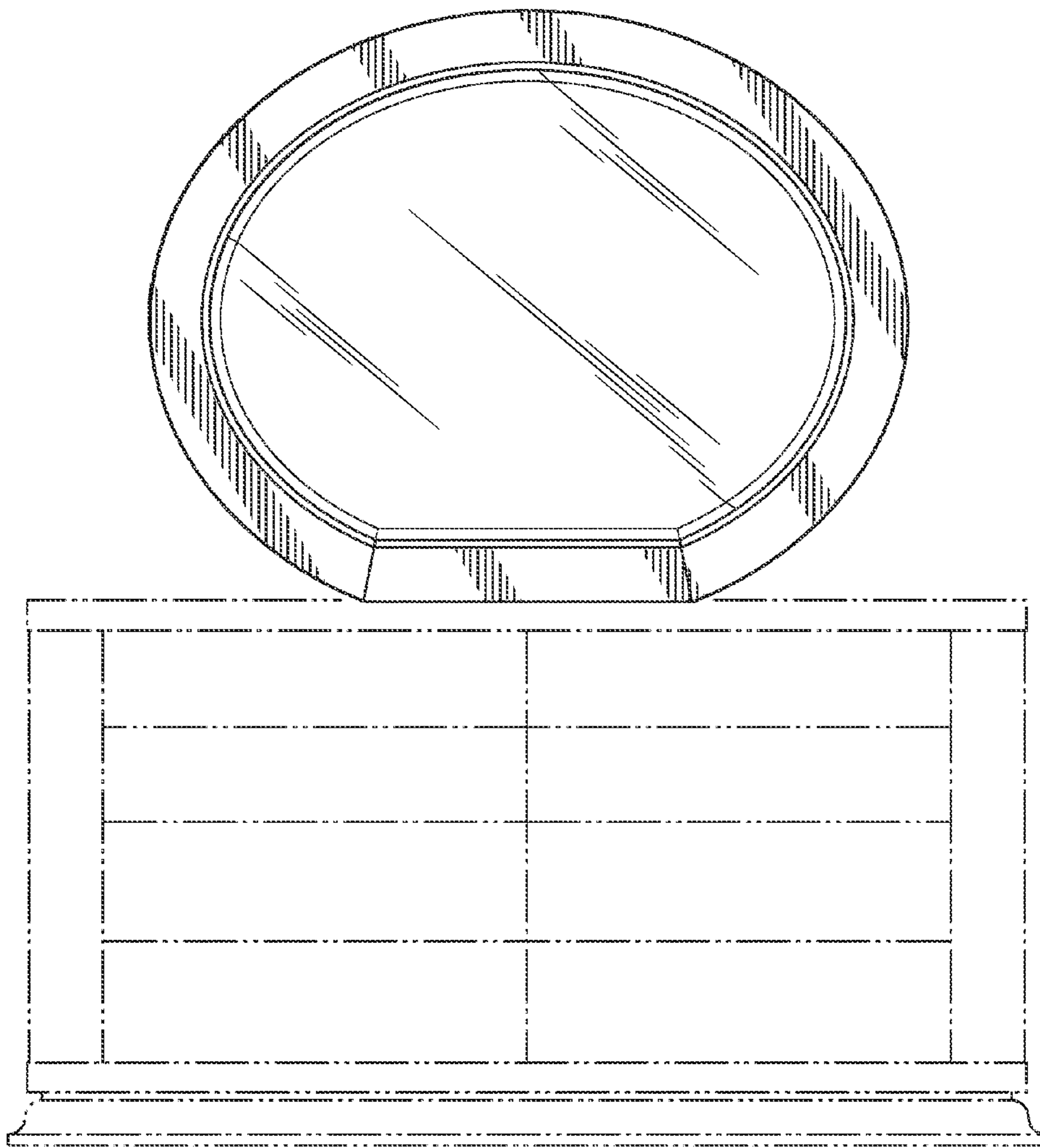


FIG. 3

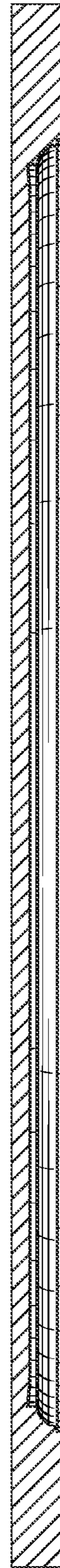


FIG. 4



FIG. 5



FIG. 6



FIG. 7



FIG. 8

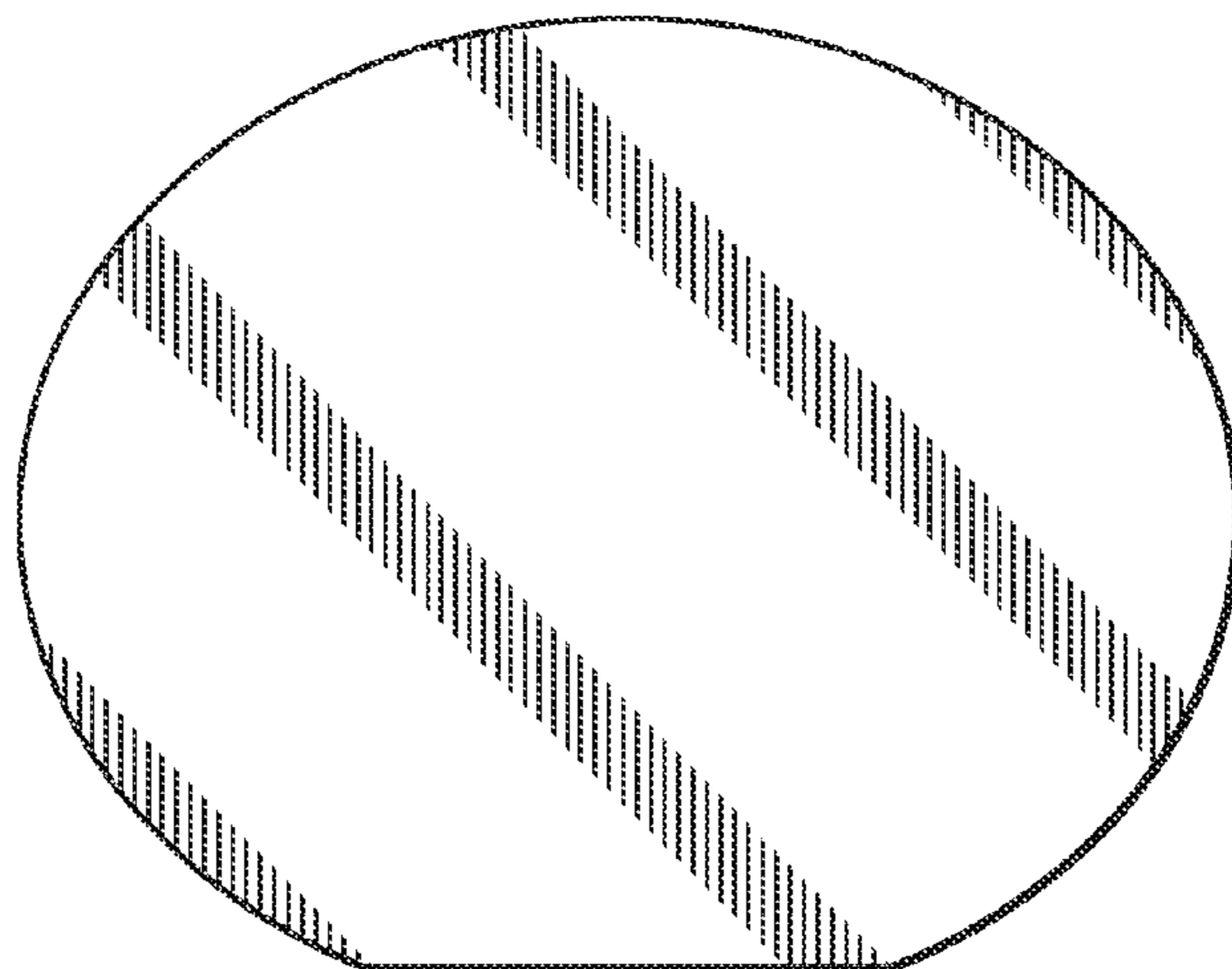


FIG. 9