



US00D577195S

(12) **United States Design Patent**
Stevens et al.

(10) **Patent No.:** **US D577,195 S**

(45) **Date of Patent:** **** Sep. 23, 2008**

(54) **STORAGE CONTAINER**

(75) Inventors: **Scott B. Stevens**, Cudahy, WI (US);
Dean D. Hacker, Oak Creek, WI (US)

(73) Assignee: **Master Lock Company LLC**, Oak
Creek, WI (US)

(**) Term: **14 Years**

(21) Appl. No.: **29/285,687**

(22) Filed: **Apr. 5, 2007**

(51) **LOC (8) Cl.** **03-01**

(52) **U.S. Cl.** **D3/272; D3/294**

(58) **Field of Classification Search** D3/201,
D3/272-273, 294-296, 302, 905; D22/136;
D99/28, 99; 206/503, 505, 508, 511; 220/4.24,
220/4.27

See application file for complete search history.

(56) **References Cited**

U.S. PATENT DOCUMENTS

D271,343 S *	11/1983	Miller	D3/294
D321,090 S *	10/1991	Dickinson	D3/294
D321,091 S *	10/1991	Dickinson	D3/294
D342,609 S *	12/1993	Brightbill	D3/294
D347,113 S *	5/1994	Bornhorst et al.	D3/272
D348,342 S *	6/1994	Lang-Ree et al.	D3/288
D361,511 S *	8/1995	Dickinson et al.	D9/425
D361,715 S *	8/1995	Hauptert	D9/424
D367,958 S *	3/1996	Tisbo et al.	D3/273
D374,772 S *	10/1996	Hotaling et al.	D3/276
D376,259 S *	12/1996	Dickinson et al.	D3/273
D378,874 S *	4/1997	Dickinson et al.	D3/281
D379,266 S *	5/1997	Dickinson et al.	D3/281
D382,114 S *	8/1997	Dickinson et al.	D3/279
D382,795 S *	8/1997	Abayhan et al.	D9/425
D389,309 S *	1/1998	Shaw	D3/294
D394,550 S *	5/1998	Tanji	D3/273

D408,631 S *	4/1999	Dickinson et al.	D3/302
D414,038 S *	9/1999	van Rhienen	D3/302
D429,415 S *	8/2000	Shapiro	D3/206
D429,565 S *	8/2000	Aiken	D3/302
D430,395 S *	9/2000	Holahan	D3/272
D432,787 S *	10/2000	Holahan	D3/272
D439,514 S *	3/2001	Burra	D9/425
D451,278 S *	12/2001	Cooper	D3/294
D459,073 S *	6/2002	Lee	D3/276
D527,523 S *	9/2006	Cornwell et al.	D3/294
D528,793 S *	9/2006	Cornwell et al.	D3/294
D537,630 S *	3/2007	Gibson	D3/272
2006/0254946 A1 *	11/2006	Becklin	206/508

* cited by examiner

Primary Examiner—Gary D. Watson

Assistant Examiner—Roselynn Cody

(74) *Attorney, Agent, or Firm*—Calfee, Halter & Griswold
LLP

(57) **CLAIM**

The ornamental design for a storage container, as shown and described.

DESCRIPTION

FIG. 1 is a perspective view of a storage container of the new design;

FIG. 2 is a right side view of the storage container of FIG. 1;

FIG. 3 is a left side view of the storage container of FIG. 1;

FIG. 4 is a top view of the storage container of FIG. 1;

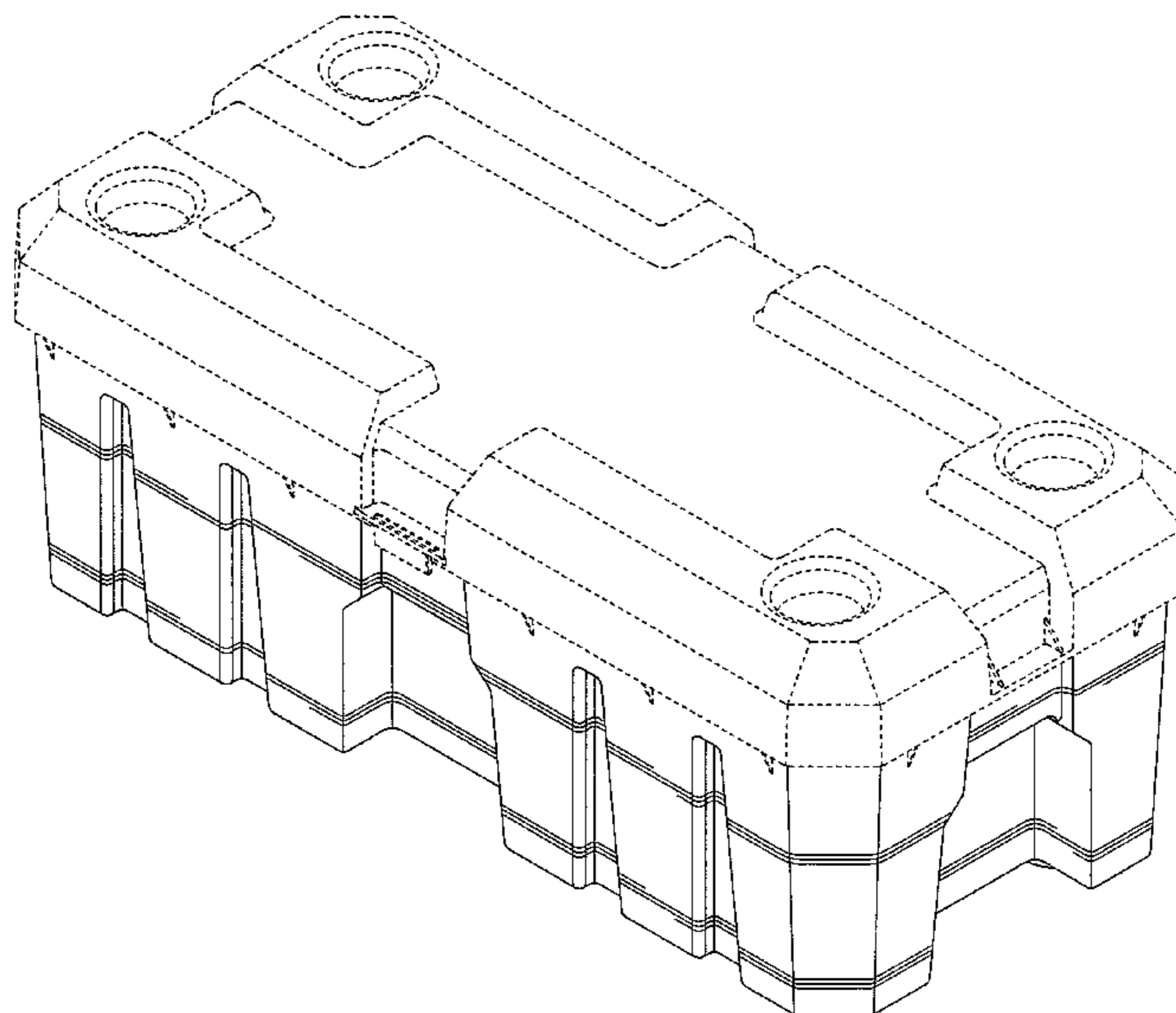
FIG. 5 is a front view of the storage container of FIG. 1;

FIG. 6 is a rear view of the storage container of FIG. 1; and,

FIG. 7 is a bottom view of the storage container of FIG. 1.

The portions of the Figures shown in phantom lines are not part of the claimed design, but are for illustration purposes only.

1 Claim, 5 Drawing Sheets



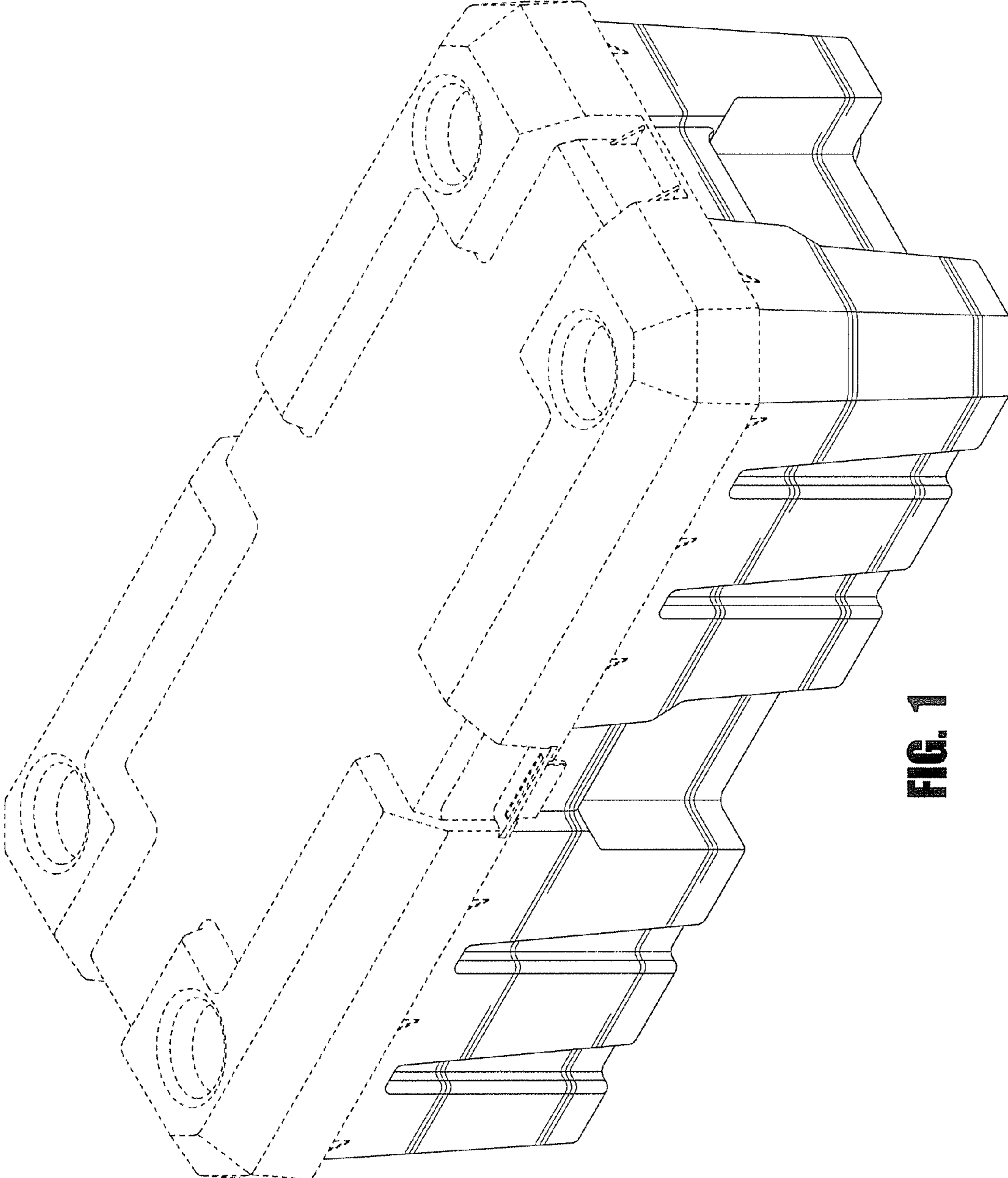


FIG. 1

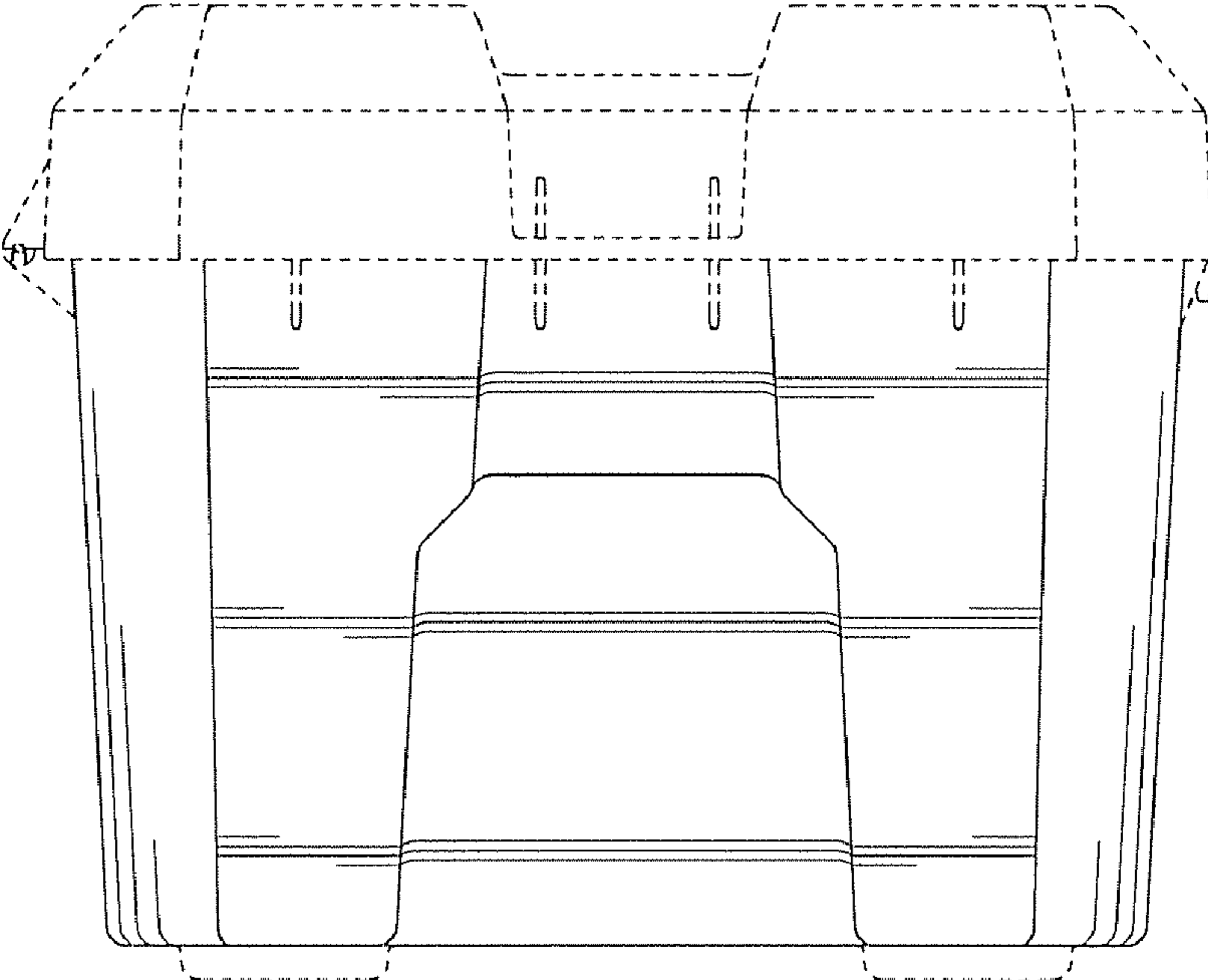


FIG. 2

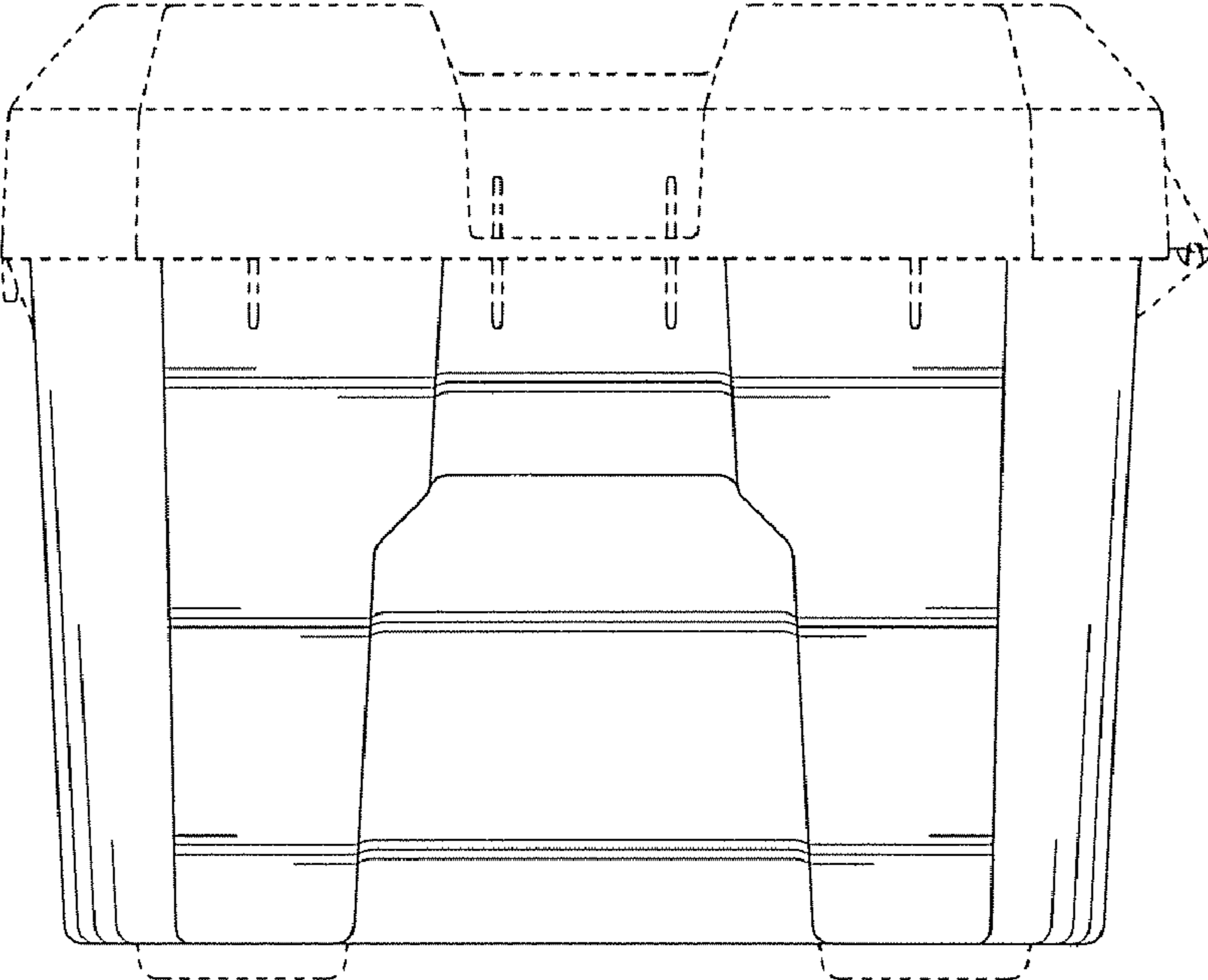


FIG. 3

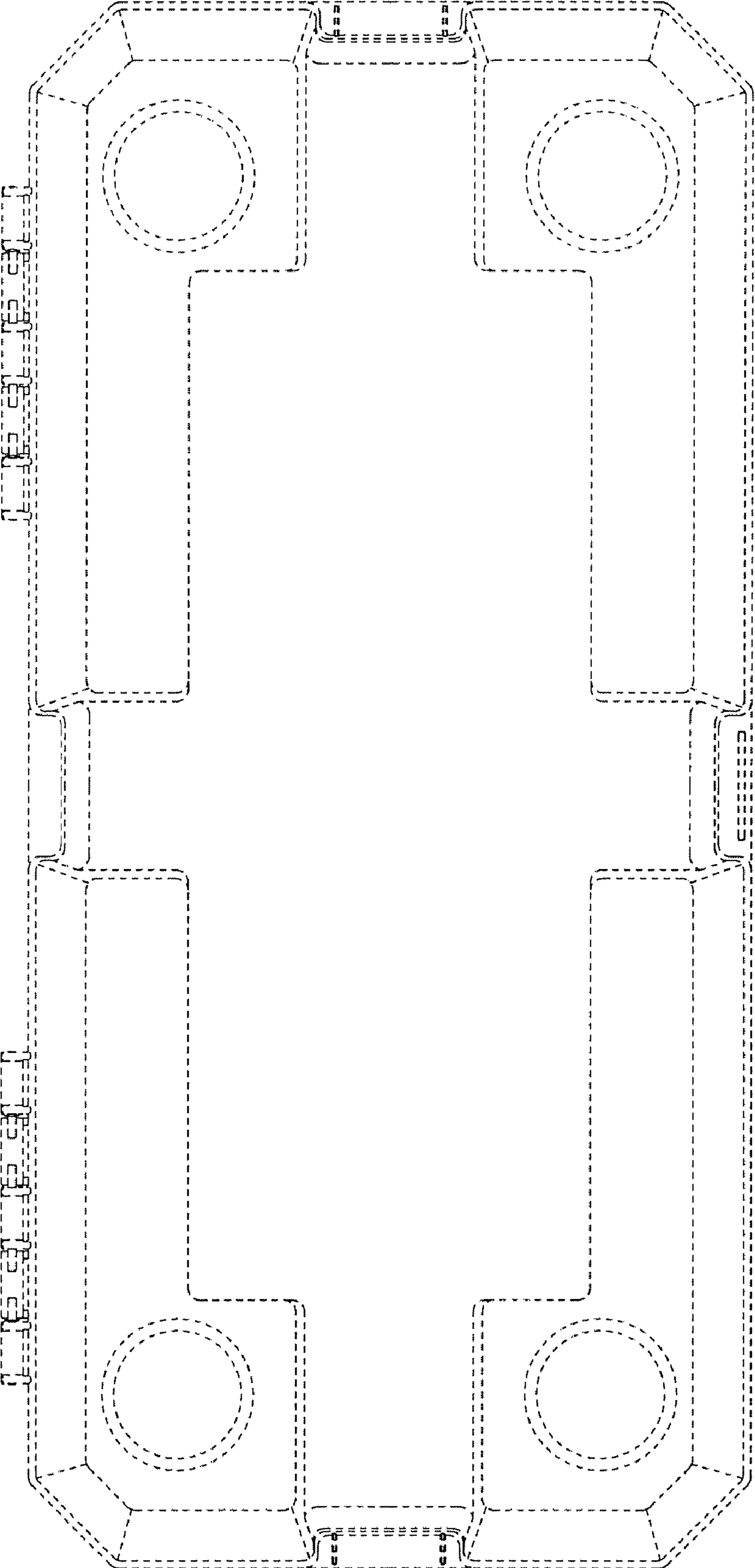


FIG. 4

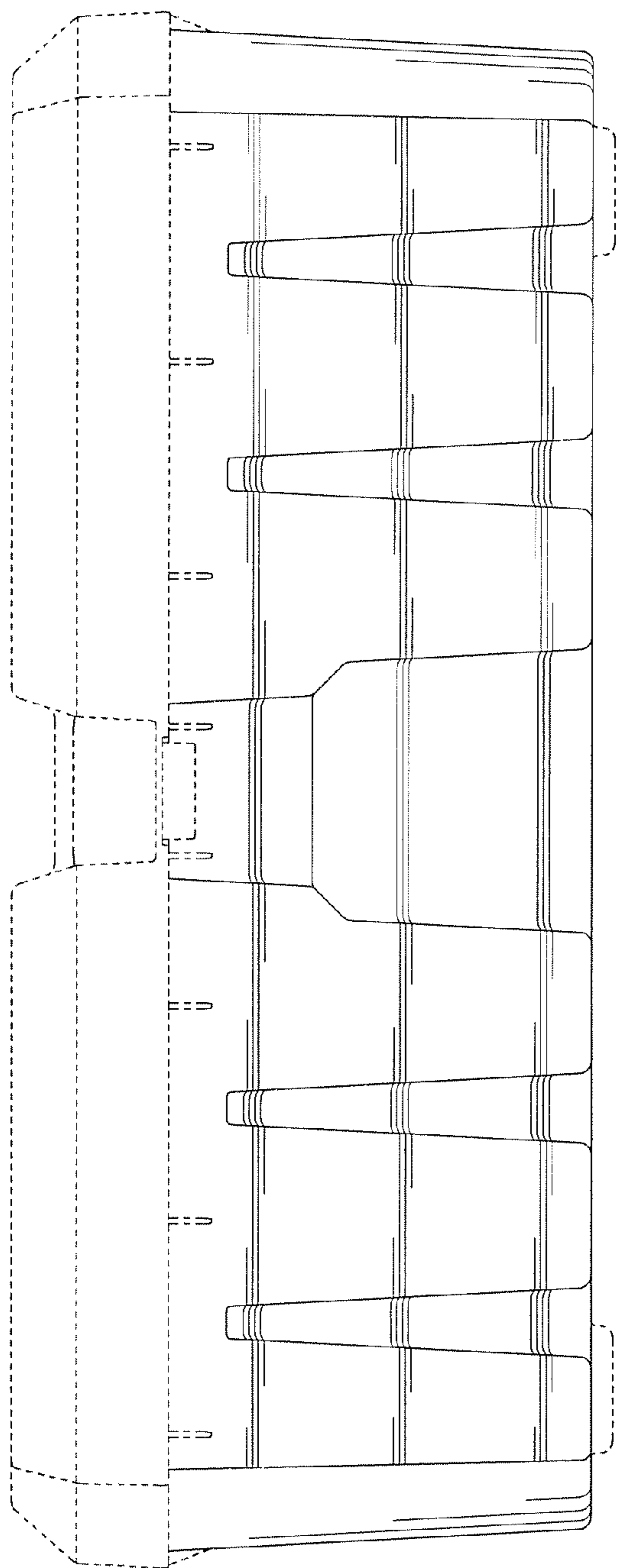


FIG. 5

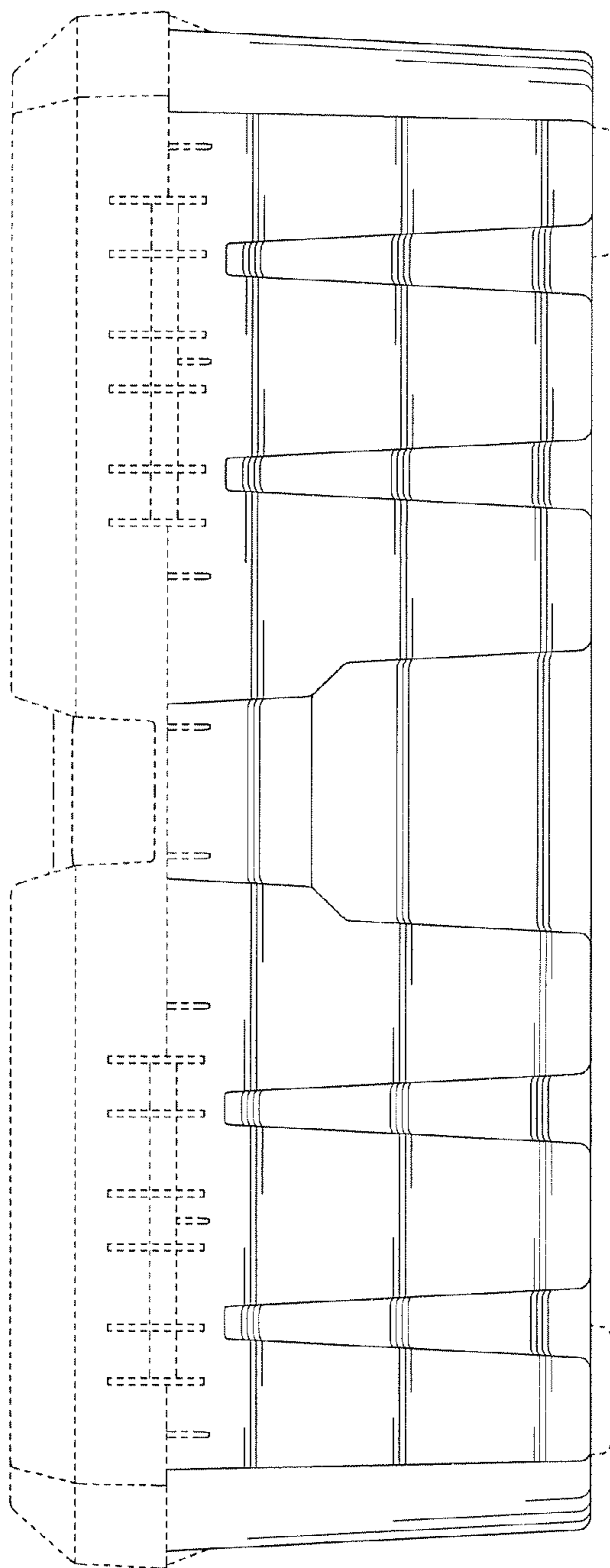


FIG. 6

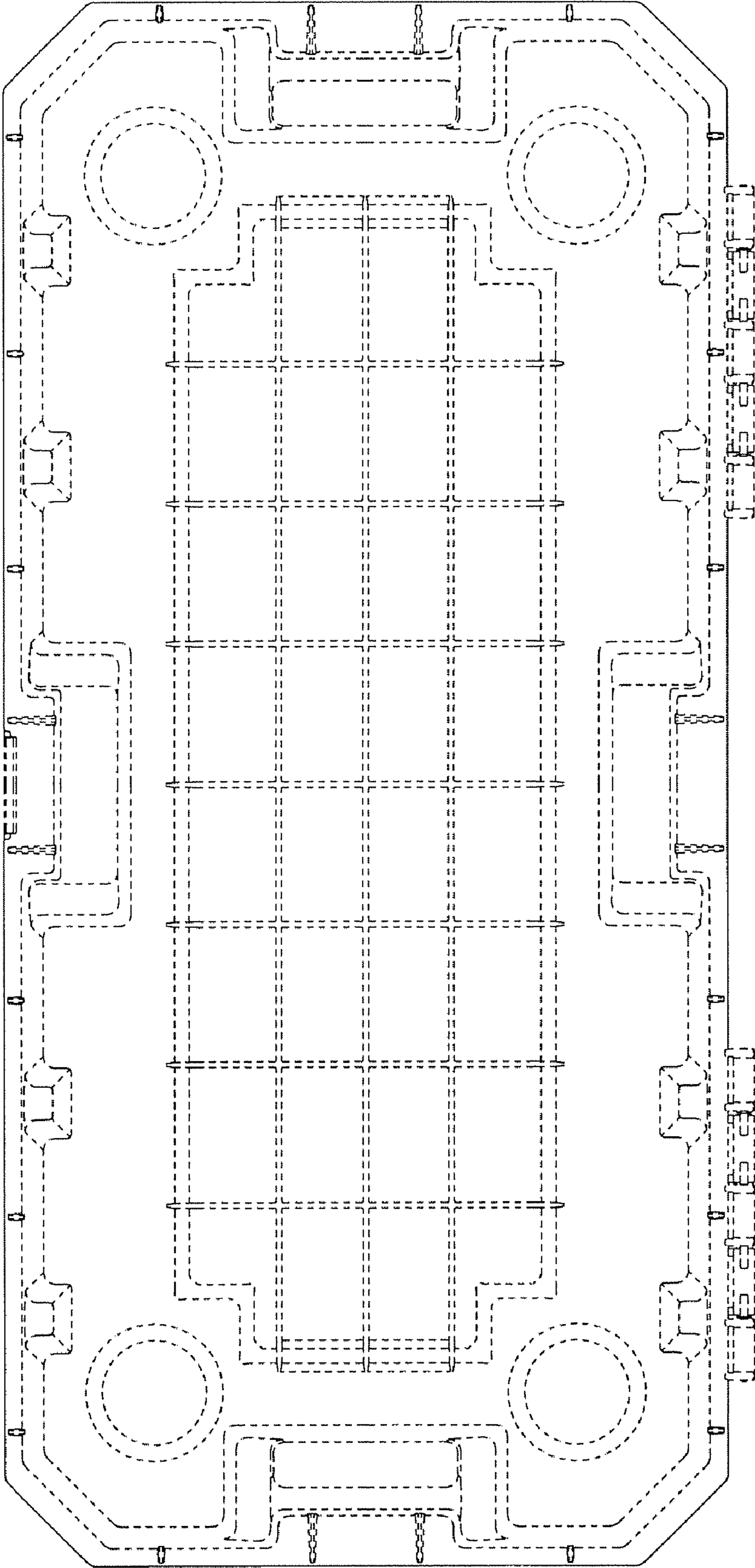


FIG. 7