

US00D577176S

(12) **United States Design Patent**
Young et al.

(10) **Patent No.:** **US D577,176 S**
(45) **Date of Patent:** **** Sep. 23, 2008**

(54) **POTATO PRODUCT**

(75) Inventors: **Harlow Young**, Kennewick, WA (US);
John Julian, Richland, WA (US)

(73) Assignee: **ConAgra Foods, Inc.**, Omaha, NE (US)

(**) Term: **14 Years**

(21) Appl. No.: **29/246,433**

(22) Filed: **Apr. 11, 2006**

(51) **LOC (8) Cl.** **01-01**

(52) **U.S. Cl.** **D1/128**

(58) **Field of Classification Search** D1/121,
D1/125, 127-9, 199; 426/94, 104, 144, 502-3,
426/510, 549, 559-60, 622, 808

See application file for complete search history.

(56) **References Cited**

U.S. PATENT DOCUMENTS

1,087,335	A *	2/1914	Swartz	426/144
2,612,453	A *	9/1952	Stahmer	426/143
2,769,714	A *	11/1956	Stahmer	426/144
2,769,715	A *	11/1956	Stahmer	426/144
D228,827	S *	10/1973	Cammelot et al.	D1/199
D239,215	S *	3/1976	Miller	D1/120
D246,941	S *	1/1978	Kalt	D1/129
4,235,941	A *	11/1980	Coats	426/646
D285,740	S *	9/1986	Watanabe	D1/122
4,650,684	A *	3/1987	Penrose	426/144
4,855,151	A *	8/1989	Fielding	426/144
4,937,084	A *	6/1990	Julian	426/144
4,973,481	A *	11/1990	Dayley et al.	426/144
5,419,903	A *	5/1995	Evans et al.	426/144
D380,885	S *	7/1997	Goll	D1/125
D396,536	S *	8/1998	Goll et al.	D1/125

D495,852	S *	9/2004	Barber	D1/125
D512,809	S *	12/2005	Baumgartner	D1/121
2005/0202125	A1 *	9/2005	Bosch et al.	426/94

OTHER PUBLICATIONS

The Good Housekeeping Illustrated Cookbook: Revised and Expanded Edition, by Hearst Books, NY, © 1989, p. 291.*
Inland Valley, Seasoned and Coated [online], Jan. 12, 2002 [retrieved on Jan. 29, 2008]. Retrieved from the Internet <URL: <http://web.archive.org/web/20020112111525/http://www.lambweston.com/iv/products/season.shtml>>.*

* cited by examiner

Primary Examiner—Robin V. Webster

Assistant Examiner—Karen E Kearney

(74) *Attorney, Agent, or Firm*—Merchant & Gould, P.C.

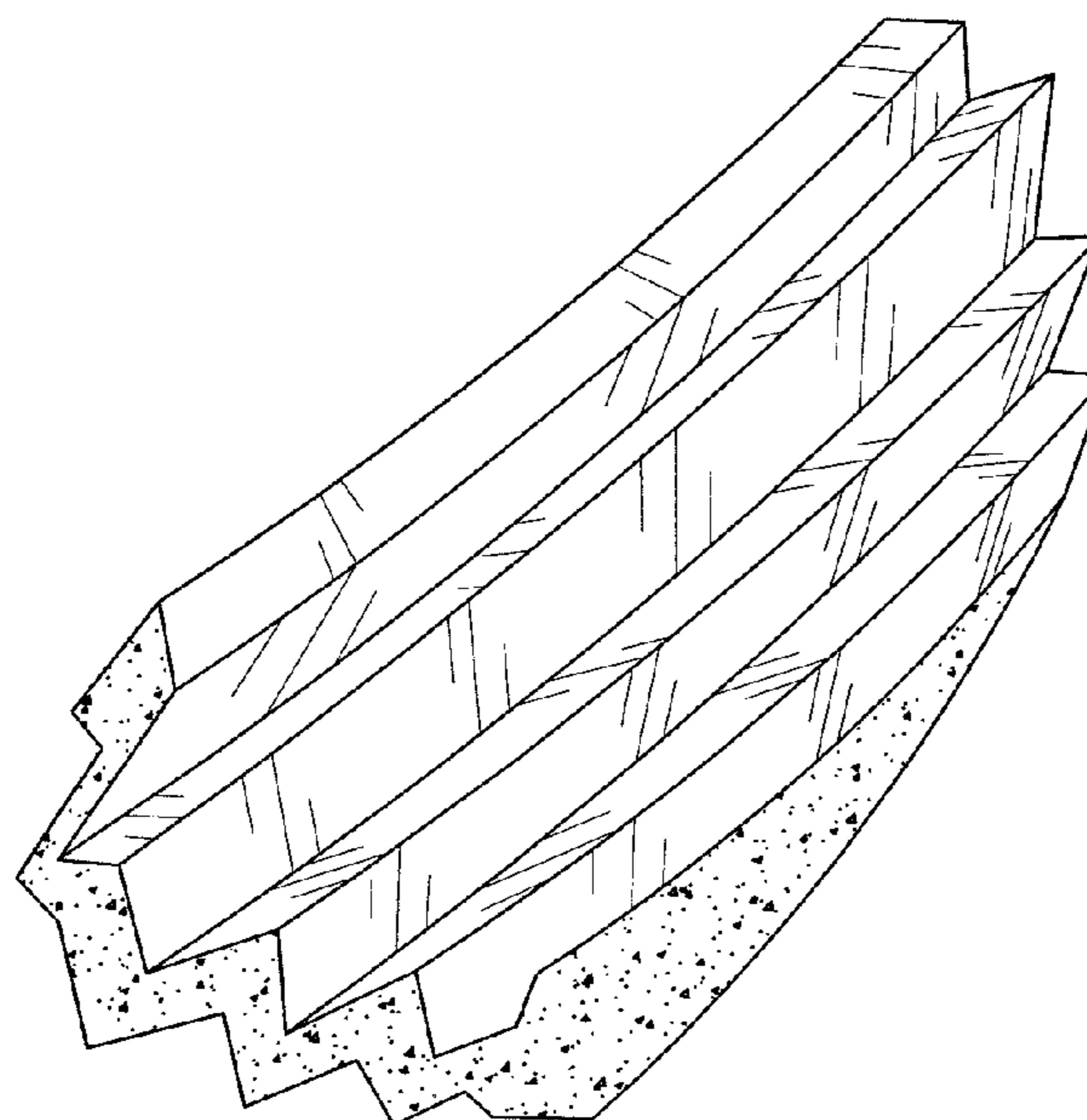
(57) **CLAIM**

The ornamental design for a potato product, as shown and described.

DESCRIPTION

FIG. 1 is a perspective view of the potato product;
FIG. 2 is a top view of the potato product;
FIG. 3 is a bottom view of the potato product;
FIG. 4 is a front elevation view of the potato product;
FIG. 5 is a rear elevation view of the potato product;
FIG. 6 is a sectional view taken along the line 6—6 of FIG. 3;
FIG. 7 is a sectional view taken along the line 7—7 of FIG. 3;
FIG. 8 is a sectional view taken along the line 8—8 of FIG. 3;
FIG. 9 is a left side view of the potato product; and,
FIG. 10 is a right side view of the potato product.

1 Claim, 5 Drawing Sheets



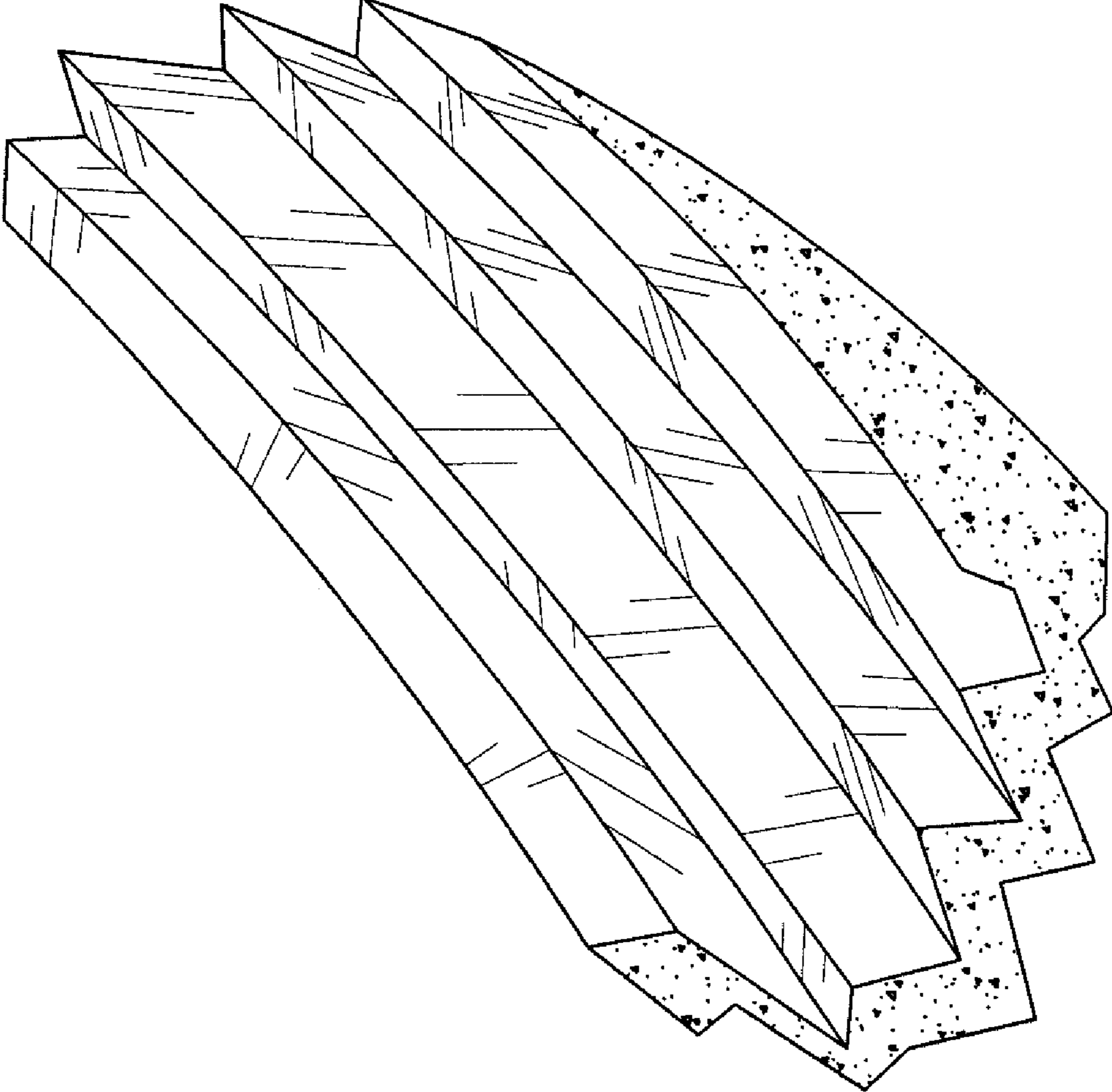


FIG. 1

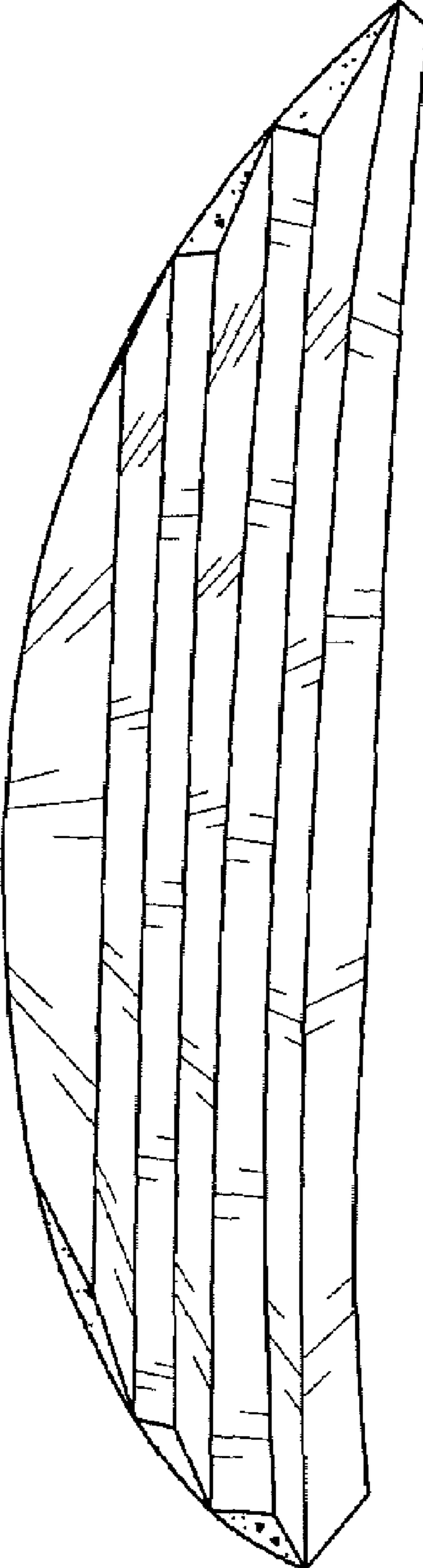


FIG. 2

FIG. 3

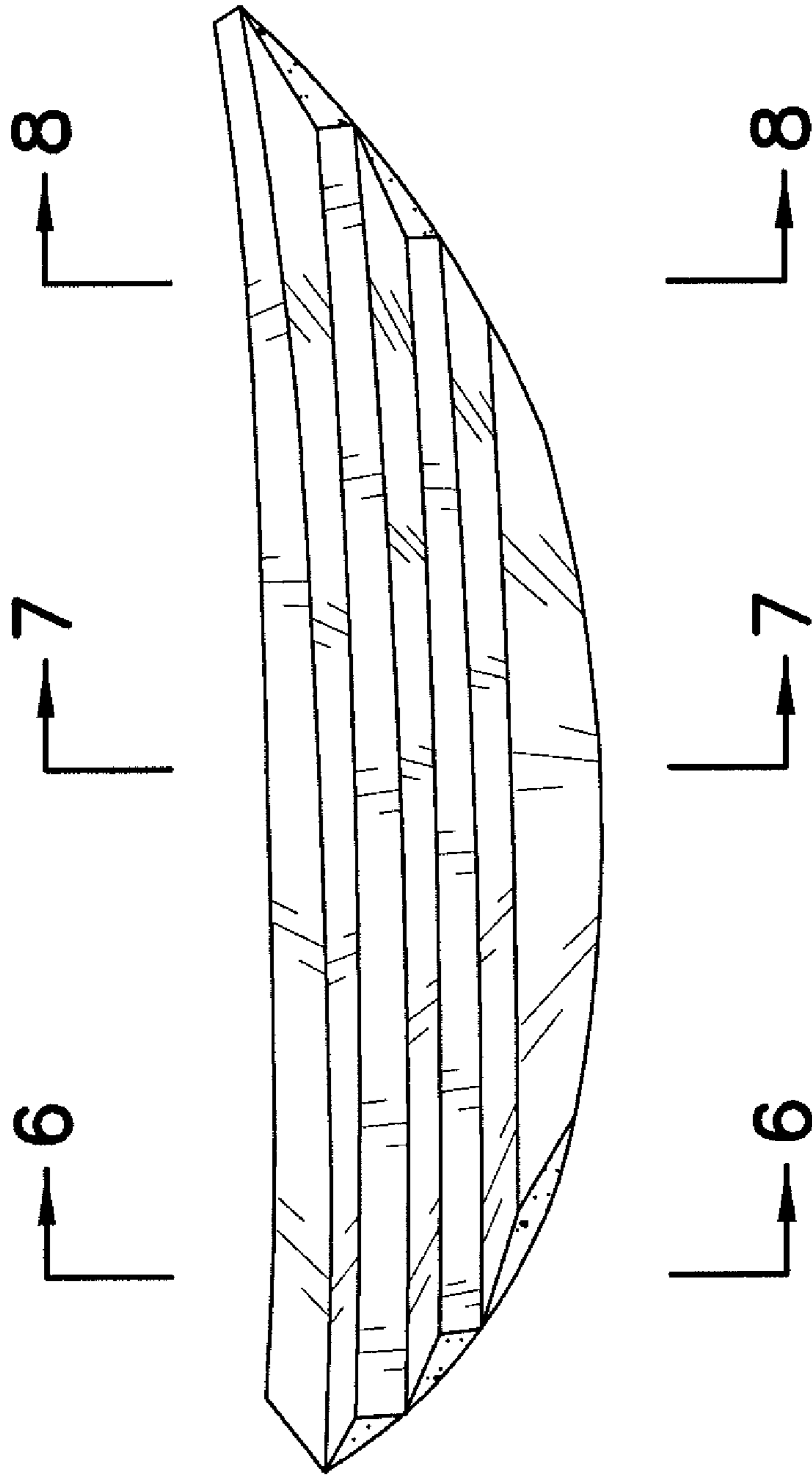


FIG. 4



FIG. 5

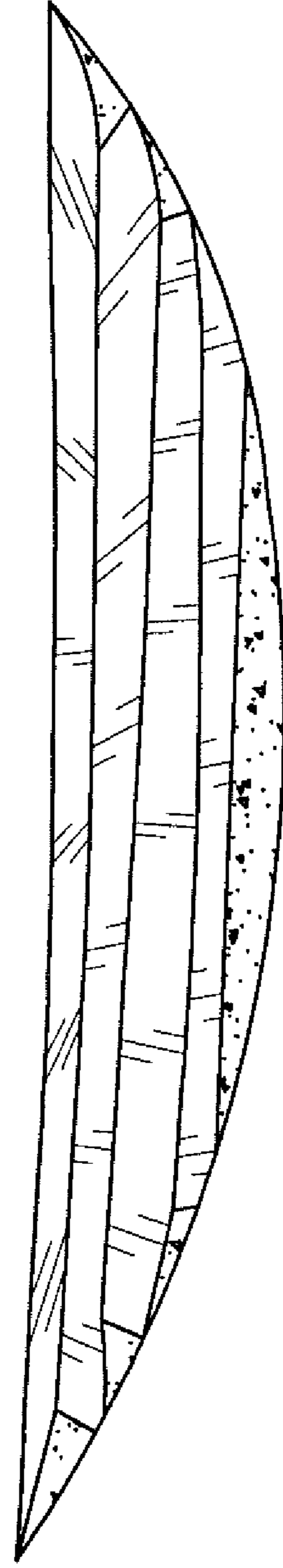


FIG. 6

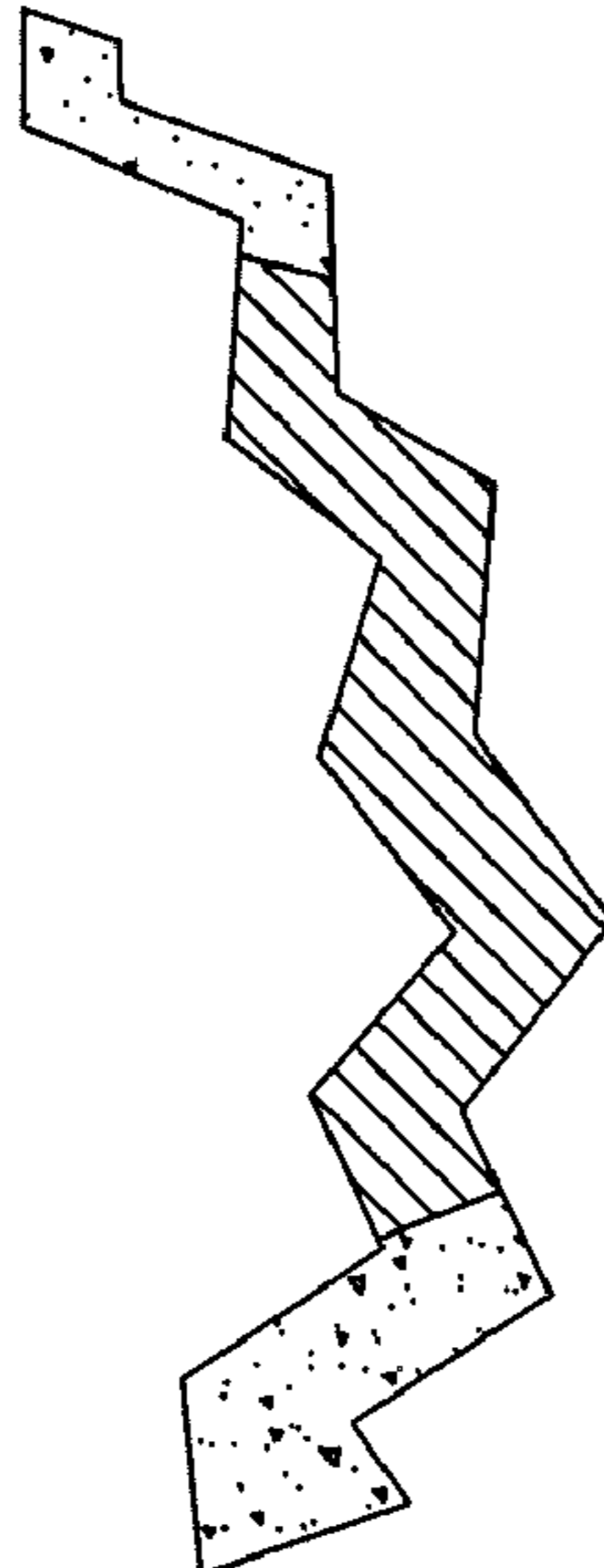


FIG. 7

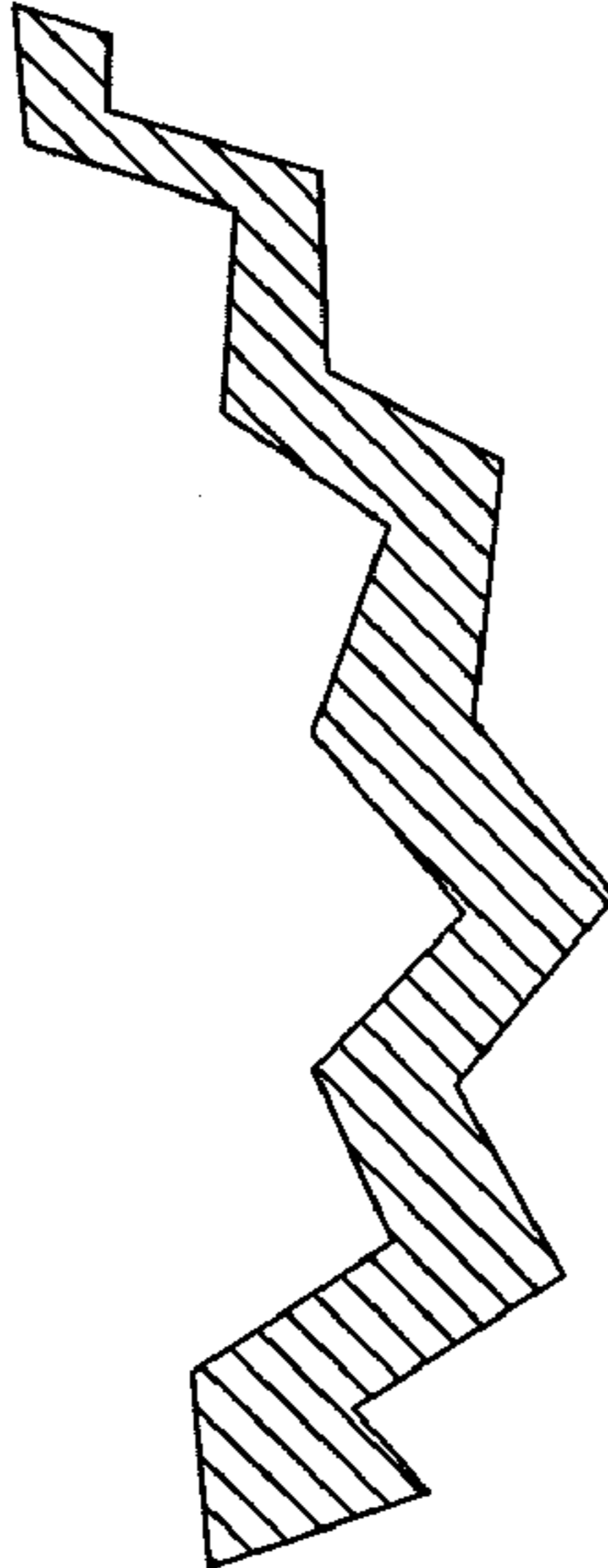


FIG. 8

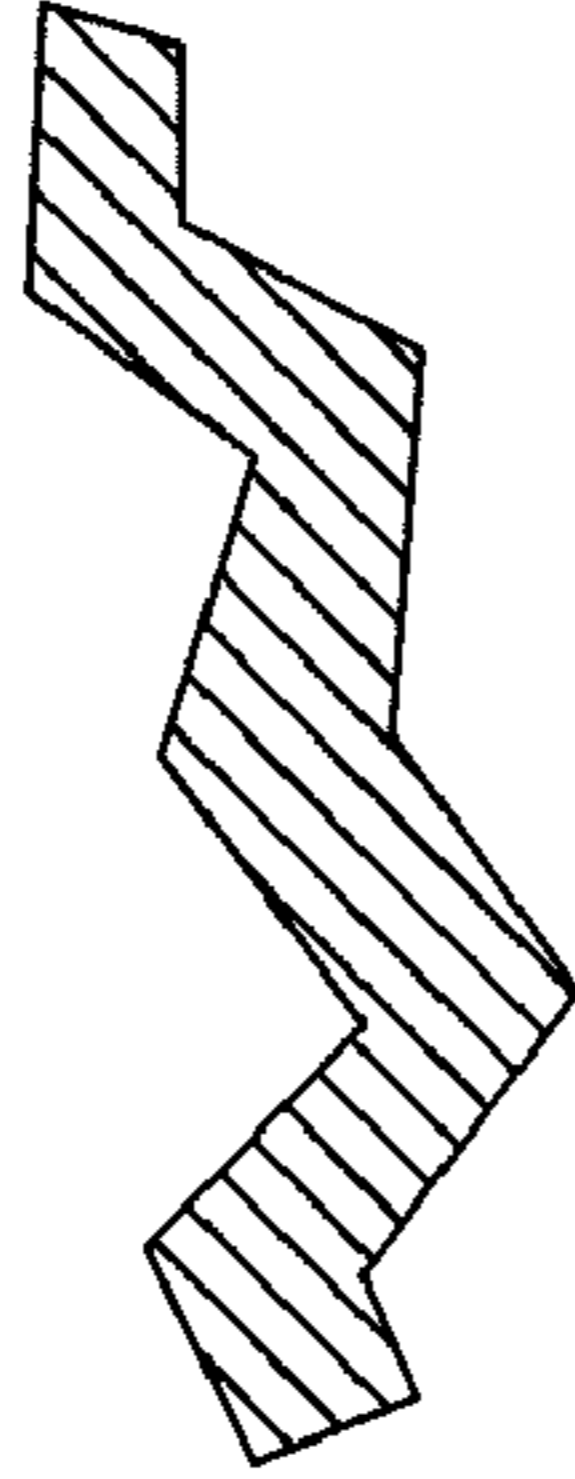


FIG. 9

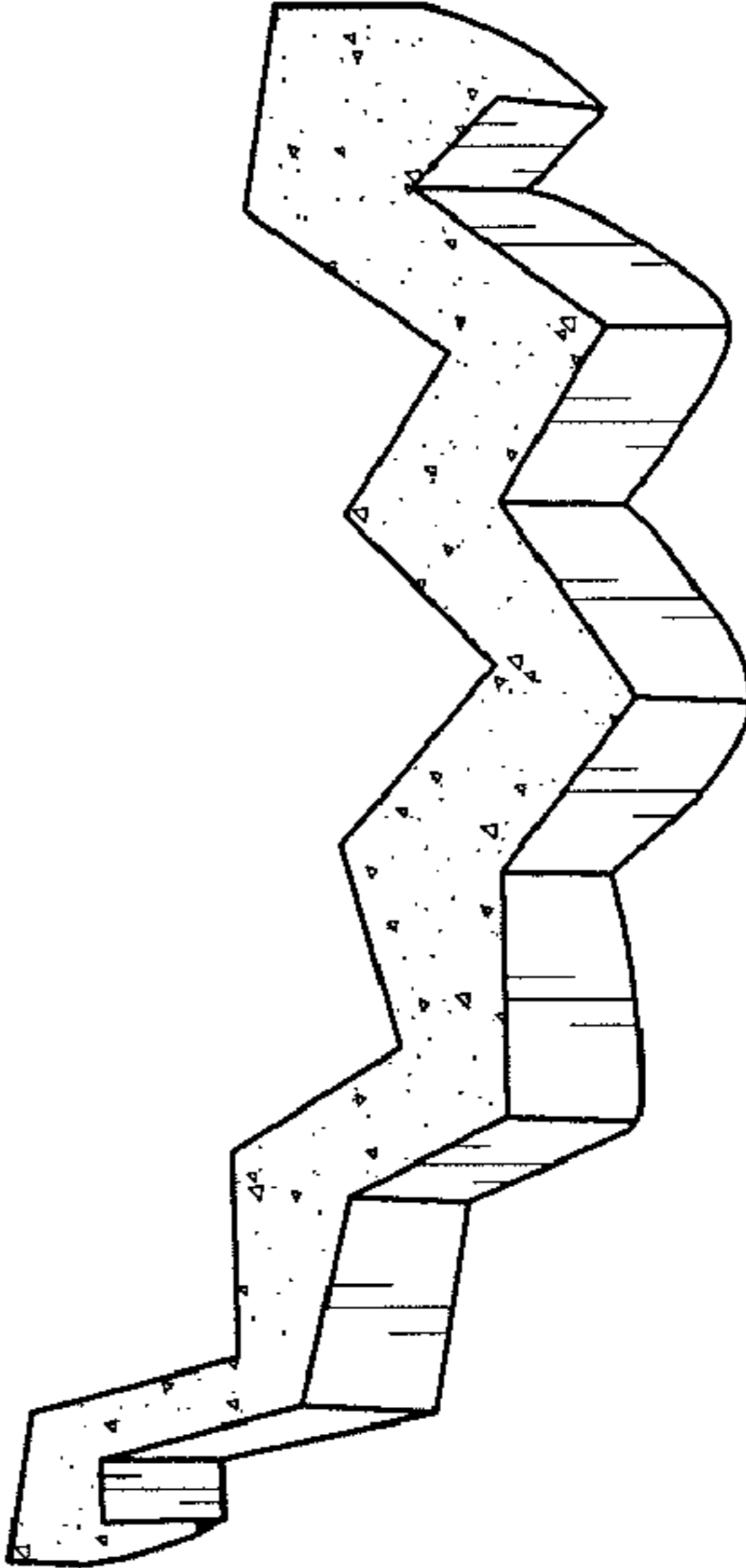


FIG. 10

