



US00D577175S

(12) **United States Design Patent**
Walstrom et al.

(10) **Patent No.:** **US D577,175 S**
(45) **Date of Patent:** **** Sep. 16, 2008**

(54) **HANDLE FOR JACK ASSEMBLY**
(75) Inventors: **Todd Walstrom**, Weston, WI (US); **Eric Anderson**, Plover, WI (US); **Russ Beck**, Wausau, WI (US); **Todd Trowbridge**, Marathon, WI (US); **Joseph J. Peschmann**, Plover, WI (US); **Kash Okerlund**, Wittenberg, WI (US)
(73) Assignee: **Cequent Trailer Products, Inc.**, Mosinee, WI (US)

(**) Term: **14 Years**

(21) Appl. No.: **29/289,359**

(22) Filed: **Jul. 17, 2007**

(51) **LOC (8) Cl.** **12-05**
(52) **U.S. Cl.** **D34/35; D34/31**
(58) **Field of Classification Search** D34/31, D34/35; 254/97, 418; 280/47.131; 114/344; D12/317, 101, 106; D8/300, 375; 414/559
See application file for complete search history.

(56) **References Cited**

U.S. PATENT DOCUMENTS

2,227,725	A *	1/1941	Laddon	280/47.131
2,233,135	A *	2/1941	Ketel	254/419
2,383,204	A *	8/1945	Le Veque	254/97
D212,800	S *	11/1968	Kimball	D34/28
3,595,527	A	7/1971	Douglass		
3,841,663	A	10/1974	Proffit		
3,851,855	A	12/1974	Douglass		
3,863,894	A	2/1975	Mansi et al.		
3,921,958	A	11/1975	Brockelsby et al.		
3,934,852	A *	1/1976	Weber et al.	254/420
4,169,579	A	10/1979	Moll		
4,283,073	A	8/1981	Gostomski		
4,424,983	A	1/1984	Walters		
4,623,125	A	11/1986	Ebey		
4,702,458	A *	10/1987	Kendrick	254/97
5,009,445	A	4/1991	Williams		
5,016,900	A *	5/1991	McCully	280/477
D318,355	S *	7/1991	Salvesen	D34/12

5,040,937	A *	8/1991	Godbersen	414/559
5,067,692	A	11/1991	Nudd et al.		
D334,268	S *	3/1993	Hayes	D34/28
D340,340	S *	10/1993	Allen	D34/28
5,282,605	A	2/1994	Sauber		
D348,340	S *	6/1994	Collins et al.	D34/31
D358,920	S *	5/1995	Peterman	D34/24
5,435,523	A	7/1995	Hying et al.		
6,099,016	A	8/2000	Peveler		
D447,309	S	8/2001	Wilson		
6,302,381	B1	10/2001	Roll		
D476,461	S	6/2003	Dries		
D501,975	S *	2/2005	Marsh et al.	D34/35
D509,039	S	8/2005	Peschmann et al.		
D527,509	S *	8/2006	Johns	D34/31
D544,674	S *	6/2007	Hsieh	D34/35

* cited by examiner

Primary Examiner—Cynthia E Ramirez

(74) *Attorney, Agent, or Firm*—McDonald Hopkins LLC; Robert H. Earp, III; Risto Pribisich

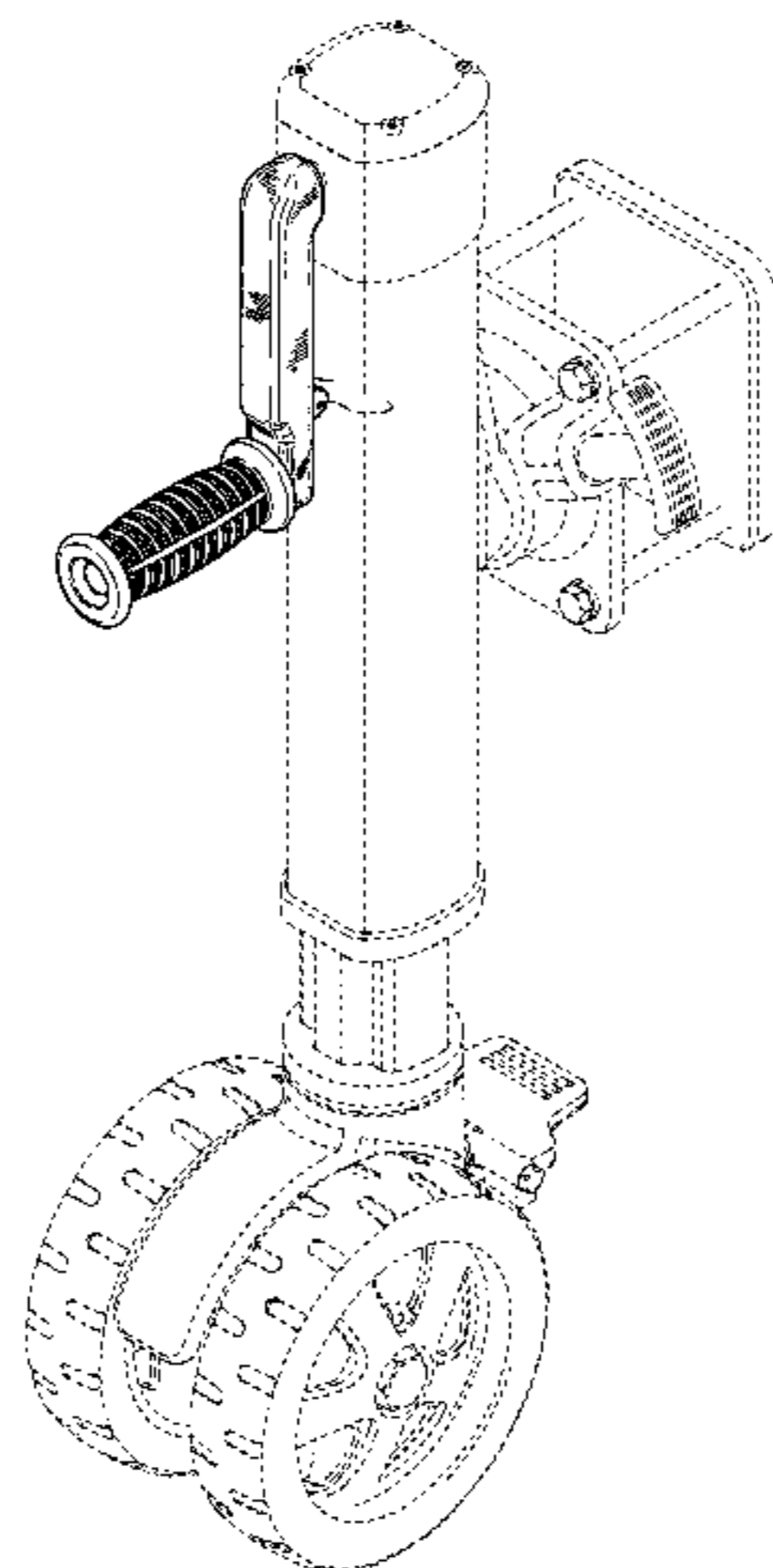
(57) **CLAIM**

The ornamental design of a handle for a jack assembly, as shown and described.

DESCRIPTION

FIG. 1 is a top, left and front perspective view of a handle for a jack assembly showing my new design;
FIG. 2 is another perspective view of the handle thereof;
FIG. 3 is a front view thereof;
FIG. 4 is a back view thereof;
FIG. 5 is a left side view thereof;
FIG. 6 is a right side view thereof;
FIG. 7 is a top plan view thereof; and,
FIG. 8 is a bottom plan view thereof.
The broken line showing of a jack in FIG. 1 is included for the purpose of illustrating environment and forms no part of the claimed design.

1 Claim, 4 Drawing Sheets



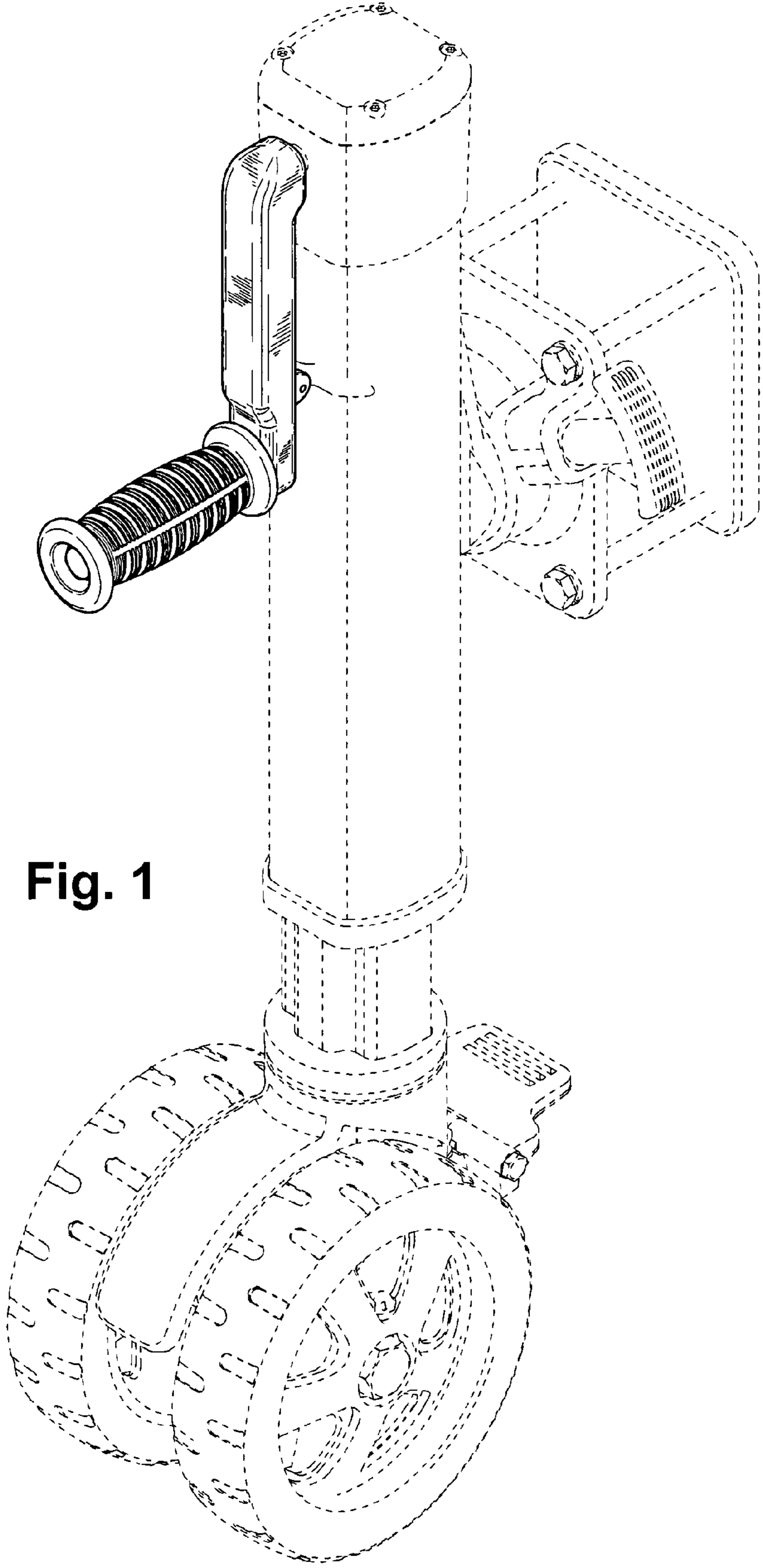


Fig. 1

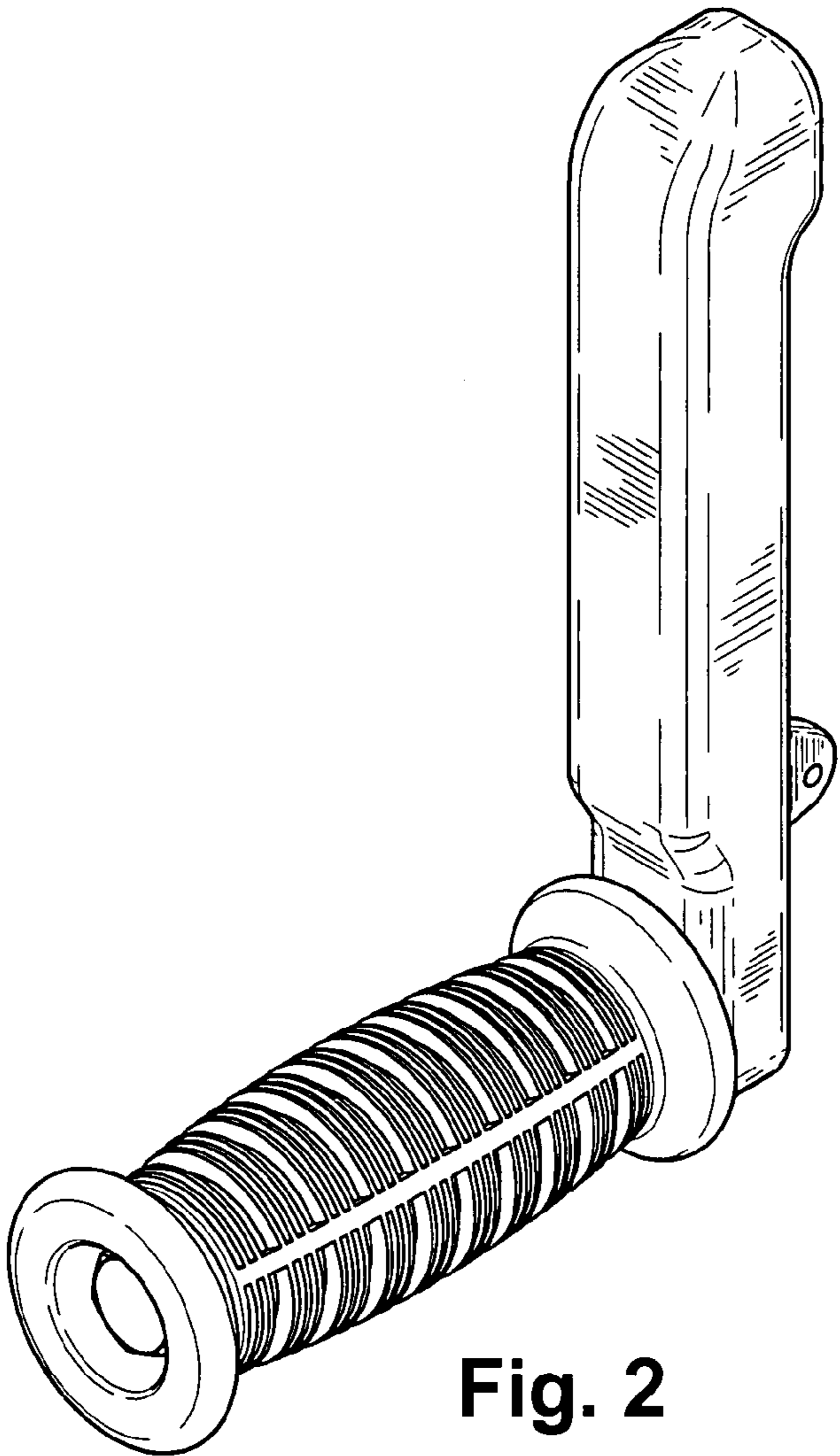


Fig. 2

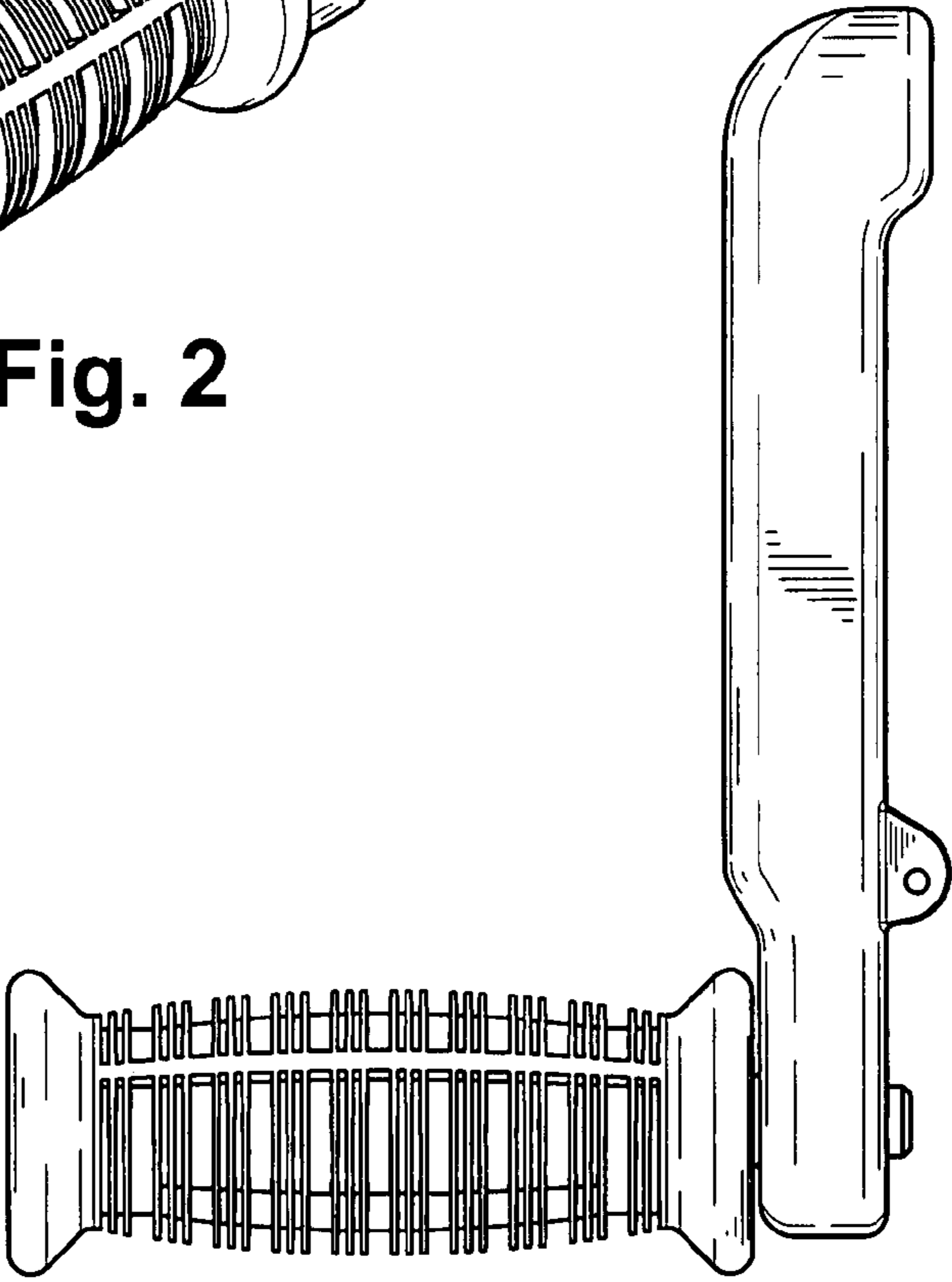


Fig. 3

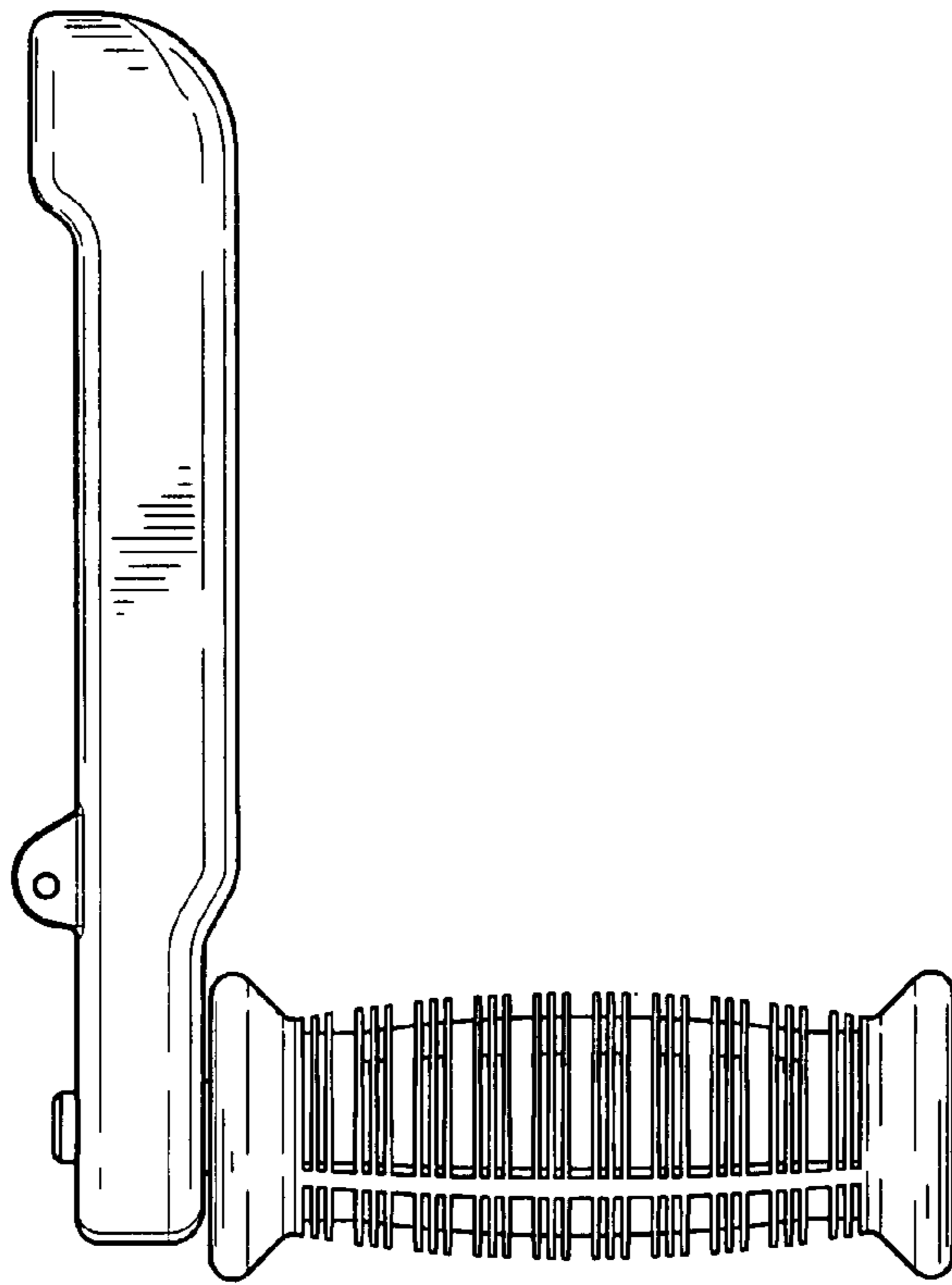


Fig. 4

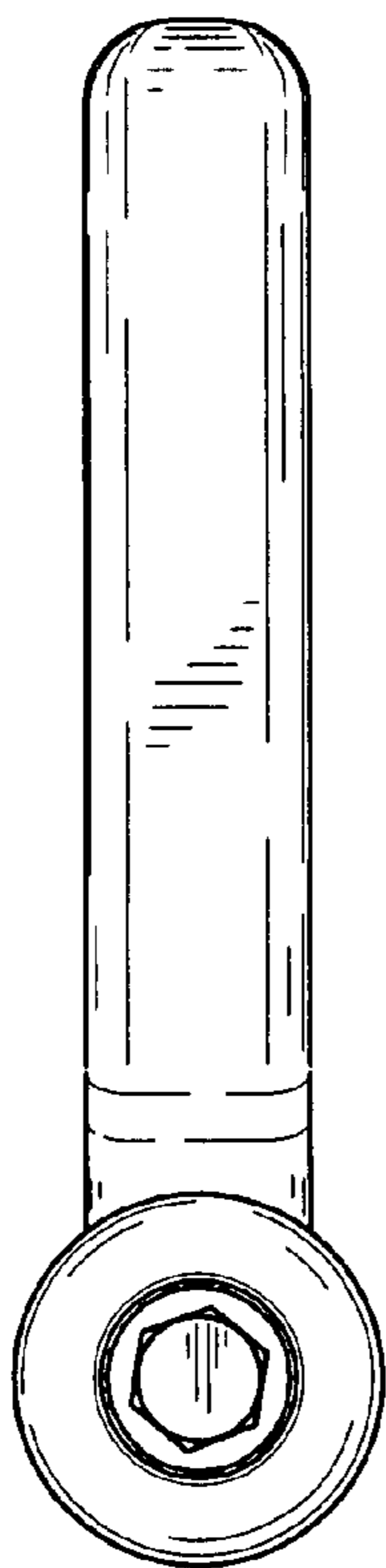


Fig. 5

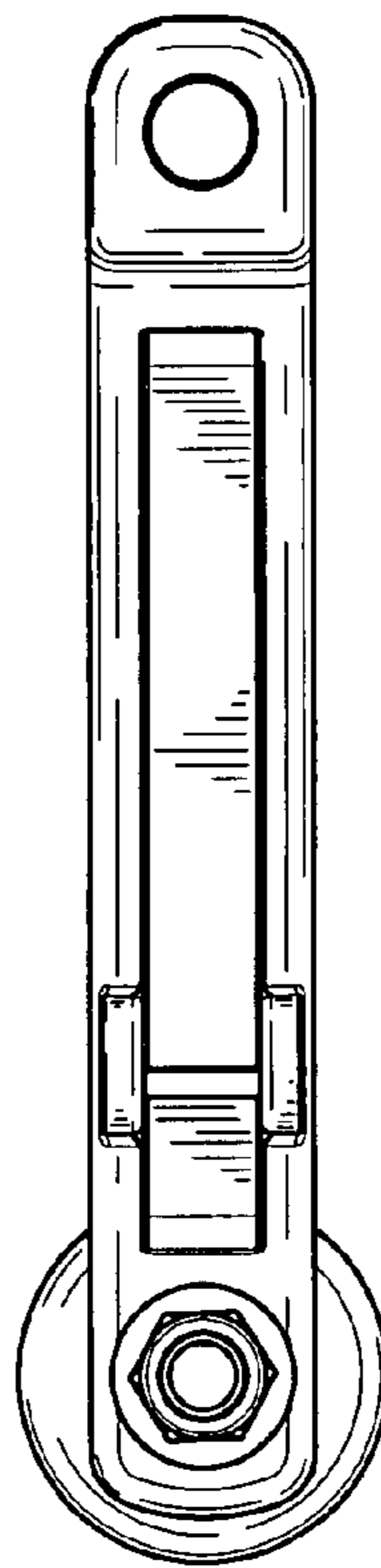


Fig. 6

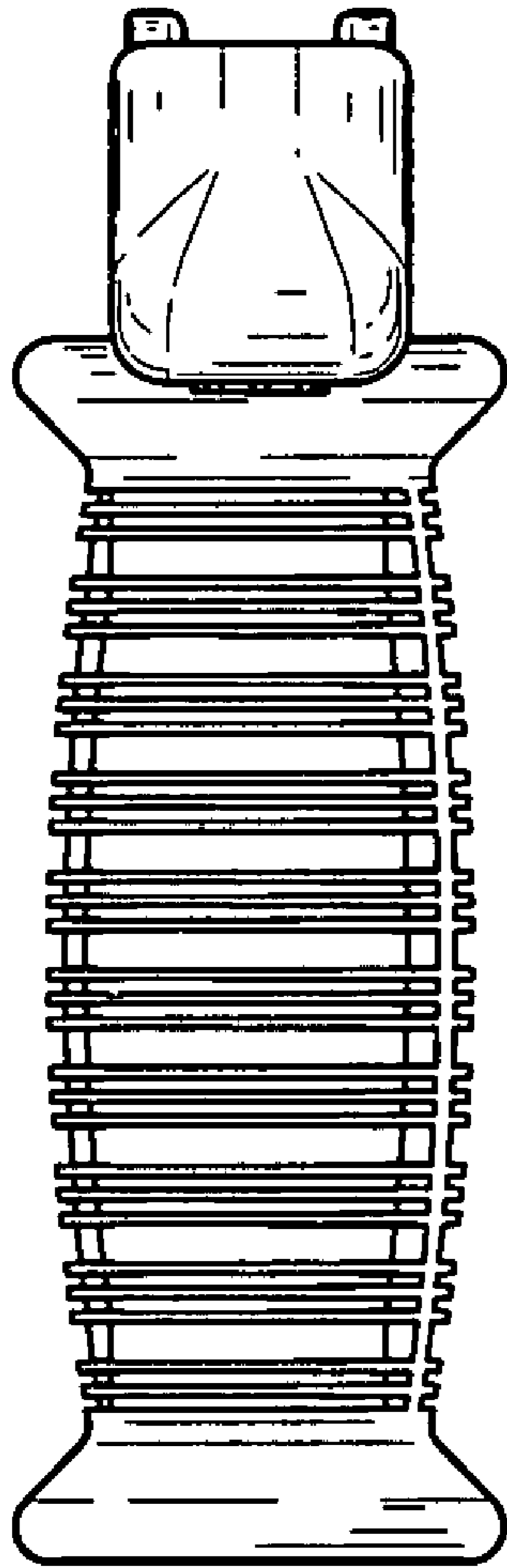


Fig. 7

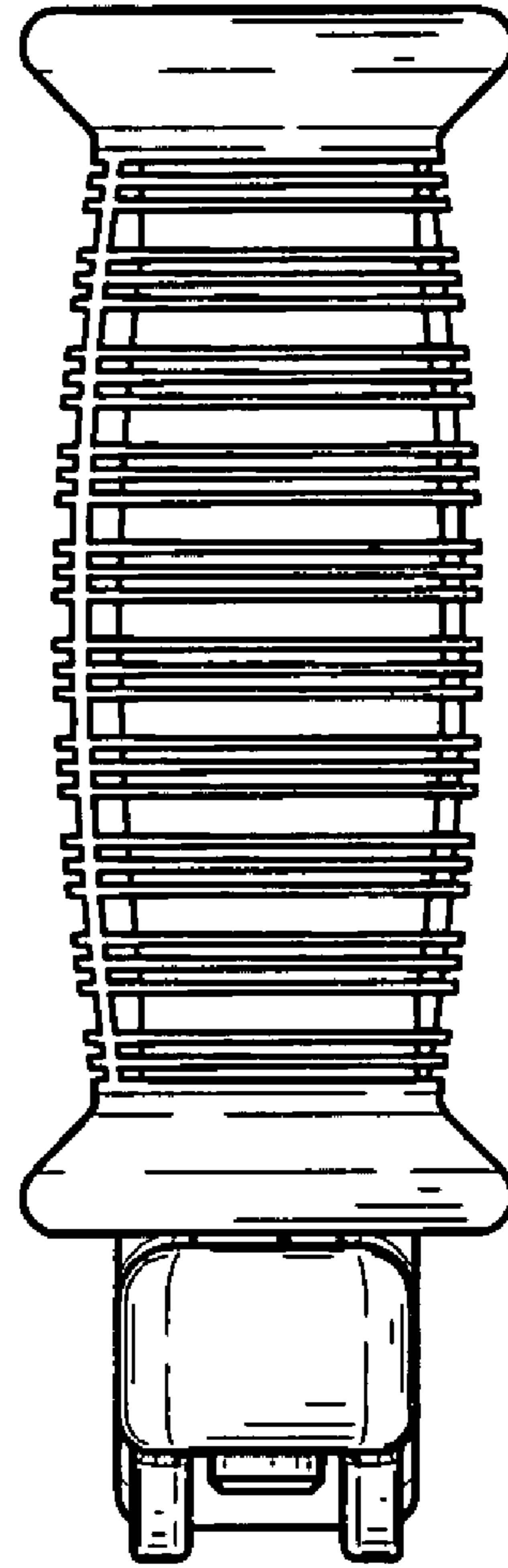


Fig. 8