



US00D577171S

(12) **United States Design Patent**
Moore

(10) **Patent No.:** **US D577,171 S**

(45) **Date of Patent:** **** Sep. 16, 2008**

(54) **BEAR PROOF DUMPSTER**

(75) Inventor: **David E. Moore**, Temecula, CA (US)

(73) Assignee: **Compumeric Engineering, Inc.**,
Ontario, CA (US)

(**) Term: **14 Years**

(21) Appl. No.: **29/297,735**

(22) Filed: **Nov. 16, 2007**

(51) **LOC (8) Cl.** **09-09**

(52) **U.S. Cl.** **D34/7; D34/3**

(58) **Field of Classification Search** D34/1,
D34/3, 5, 6, 7, 8, 9, 10, 11; 220/908-913
See application file for complete search history.

(56) **References Cited**

U.S. PATENT DOCUMENTS

D327,152	S	*	6/1992	Rose et al.	D34/5
5,118,037	A	*	6/1992	Ekegren	232/43.1
D328,659	S	*	8/1992	Brenner et al.	D34/3
D332,332	S	*	1/1993	Markey	D34/1
D333,541	S	*	2/1993	Kropf	D34/1

D356,419	S	*	3/1995	Kamm	D34/7
D381,156	S	*	7/1997	Kent	D34/1
2007/0046032	A1		3/2007	Moore		
2007/0084865	A1		4/2007	Moore		

* cited by examiner

Primary Examiner—Cynthia E Ramirez

(74) *Attorney, Agent, or Firm*—Knobbe, Martens, Olson & Bear, LLP.

(57) **CLAIM**

The ornamental design for a bear proof dumpster, as shown and described.

DESCRIPTION

FIG. 1 is a perspective view of the bear proof dumpster of the present design;

FIG. 2 is a front view thereof;

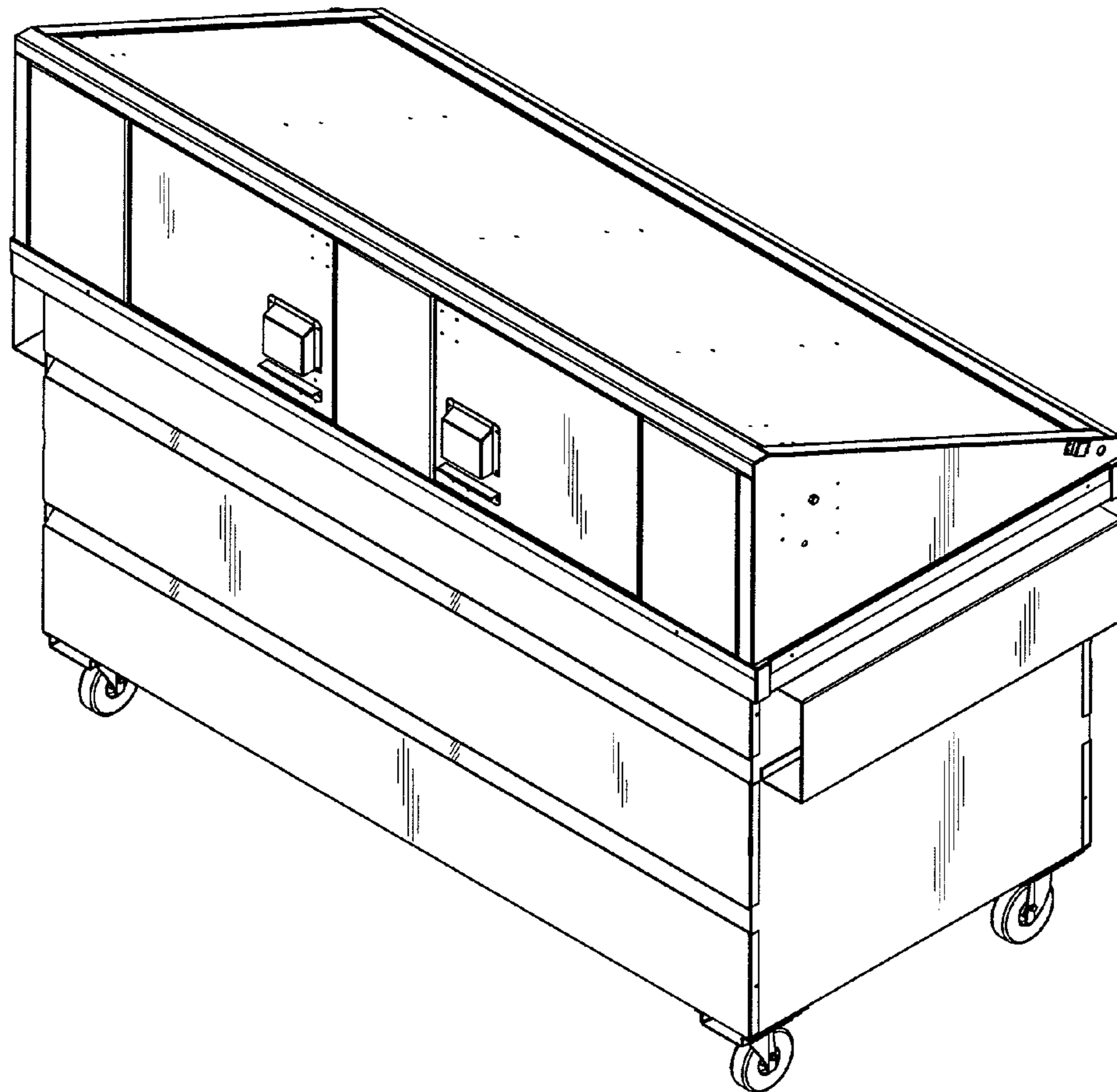
FIG. 3 is a rear view thereof;

FIG. 4 is a top view thereof;

FIG. 5 is a first side view thereof; and,

FIG. 6 is second side view thereof.

1 Claim, 5 Drawing Sheets



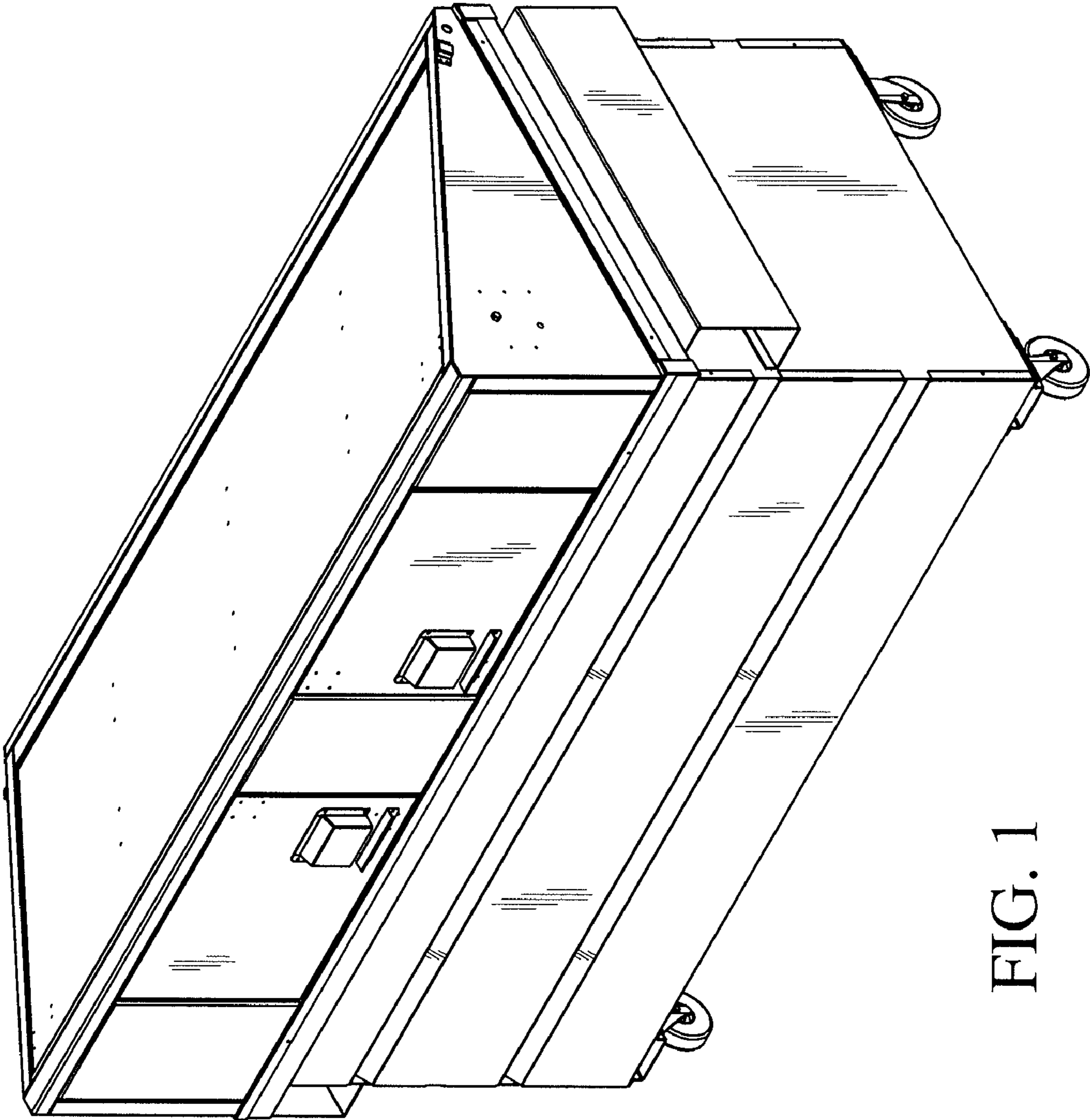


FIG. 1

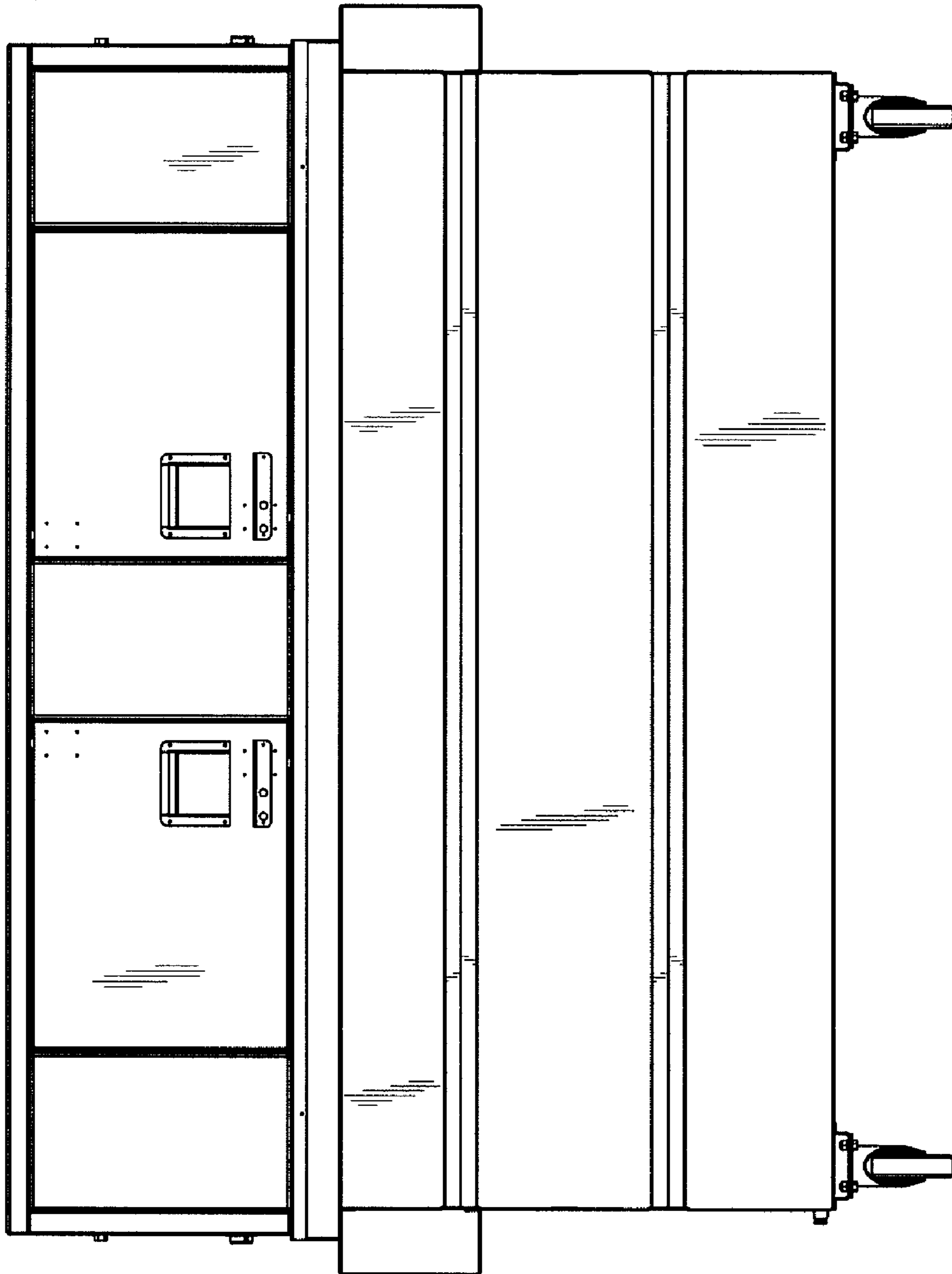


FIG. 2

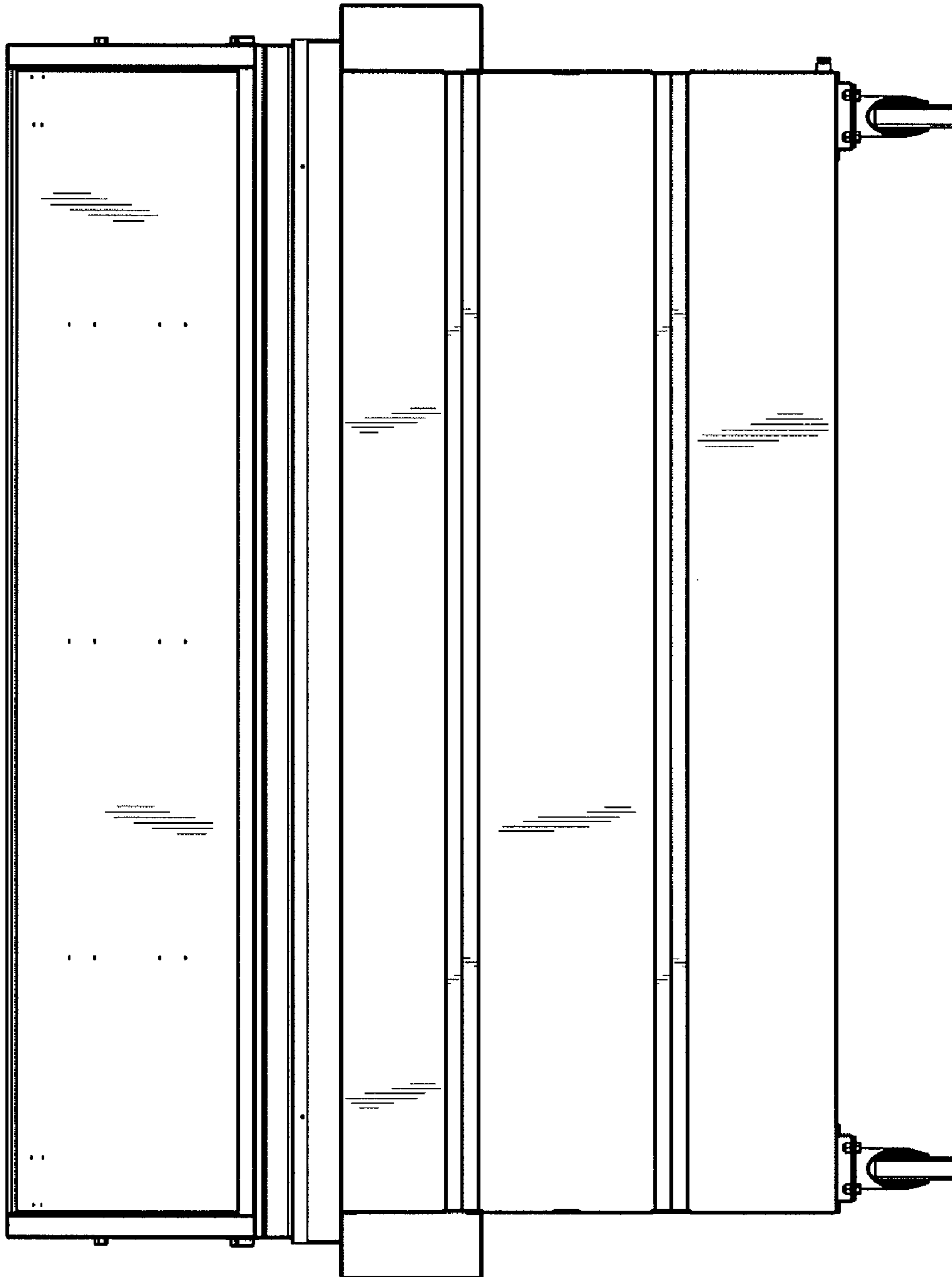


FIG. 3

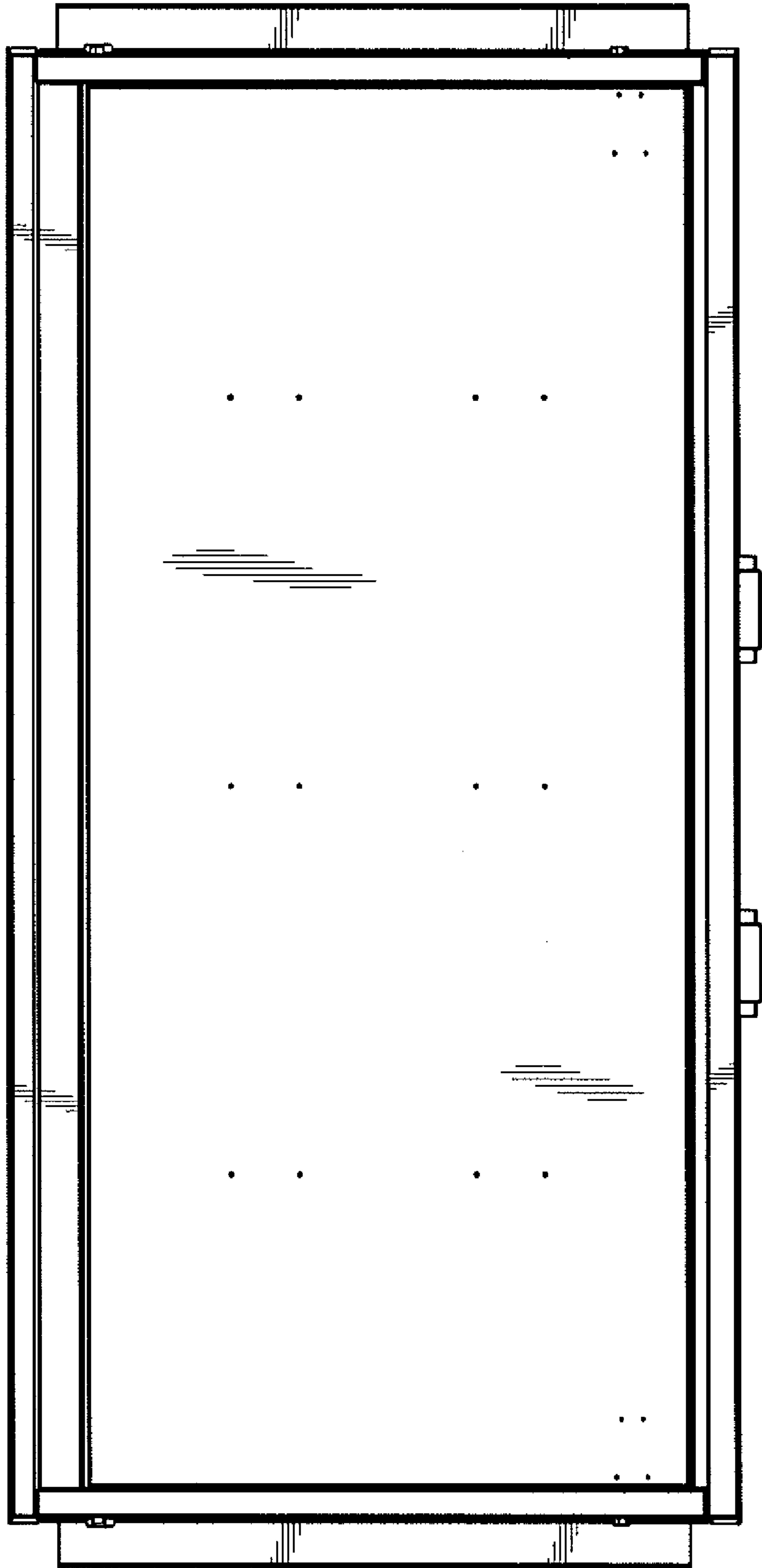


FIG. 4

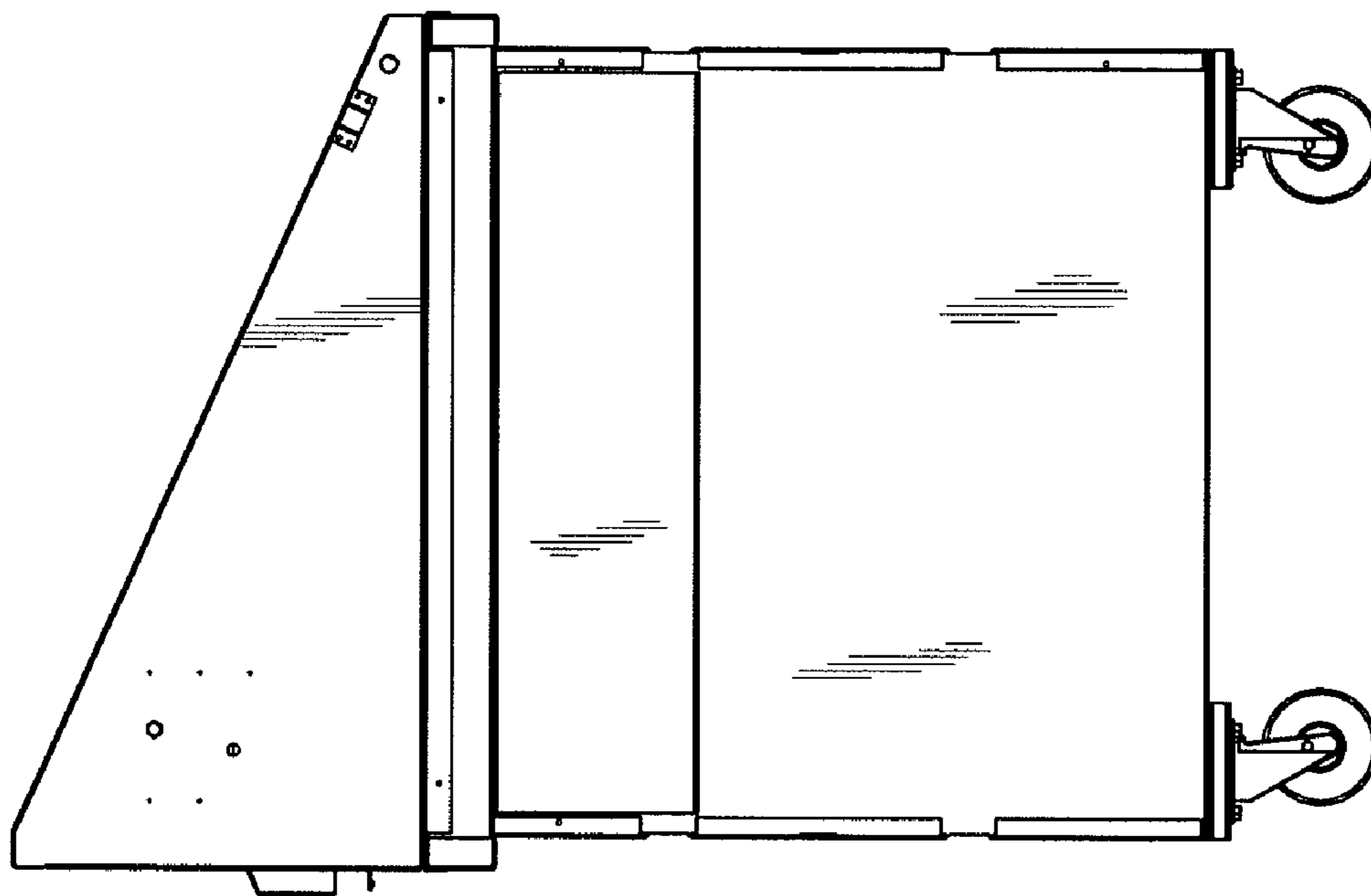


FIG. 6

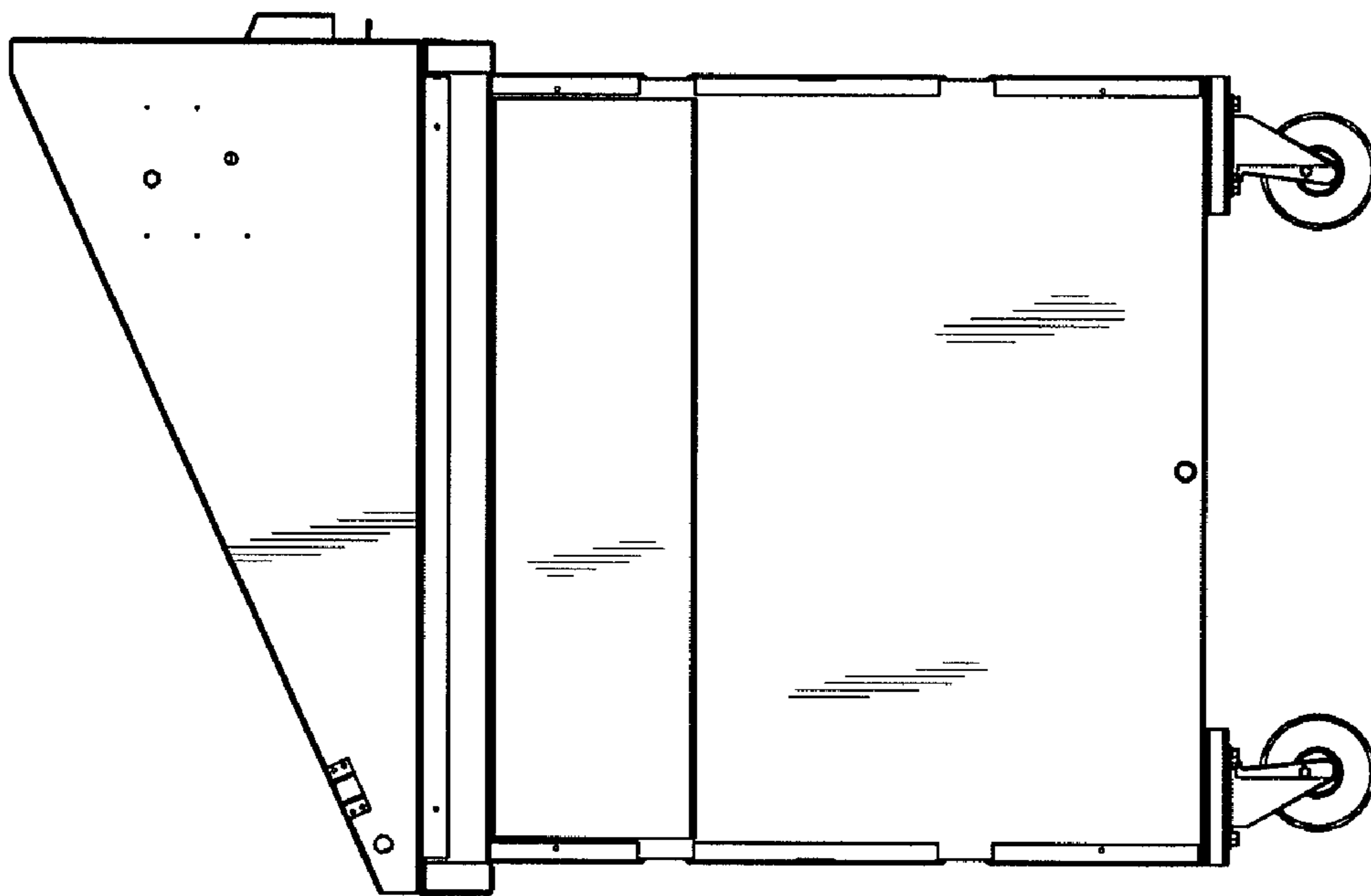


FIG. 5