



US00D577170S

(12) **United States Design Patent**  
**Meers**

(10) **Patent No.:** **US D577,170 S**

(45) **Date of Patent:** **\*\* Sep. 16, 2008**

(54) **CONTAINER**

(75) Inventor: **Ryan C. Meers**, Los Angeles, CA (US)

(73) Assignee: **Rehrig Pacific Company**, Los Angeles, CA (US)

(\*\*) Term: **14 Years**

(21) Appl. No.: **29/297,814**

(22) Filed: **Nov. 19, 2007**

(51) **LOC (8) Cl.** ..... **09-09**

(52) **U.S. Cl.** ..... **D34/5**

(58) **Field of Classification Search** ..... D34/1,  
D34/5, 6, 7, 9; 220/908-913; 280/47.26  
See application file for complete search history.

(56) **References Cited**

**U.S. PATENT DOCUMENTS**

D388,577 S \* 12/1997 Rehrig et al. .... D34/5

D398,120 S \* 9/1998 Rehrig et al. .... D34/5

D445,228 S \* 7/2001 Apps et al. .... D34/5

\* cited by examiner

*Primary Examiner*—Cynthia E Ramirez

(74) *Attorney, Agent, or Firm*—Carlson, Gaskey and Olds

(57) **CLAIM**

The ornamental design for a container, as shown and described.

**DESCRIPTION**

FIG. 1 is a perspective view of a container showing my new design;

FIG. 2 is a first side view of the container.

FIG. 3 is a front view of the container.

FIG. 4 is a second side view of the container.

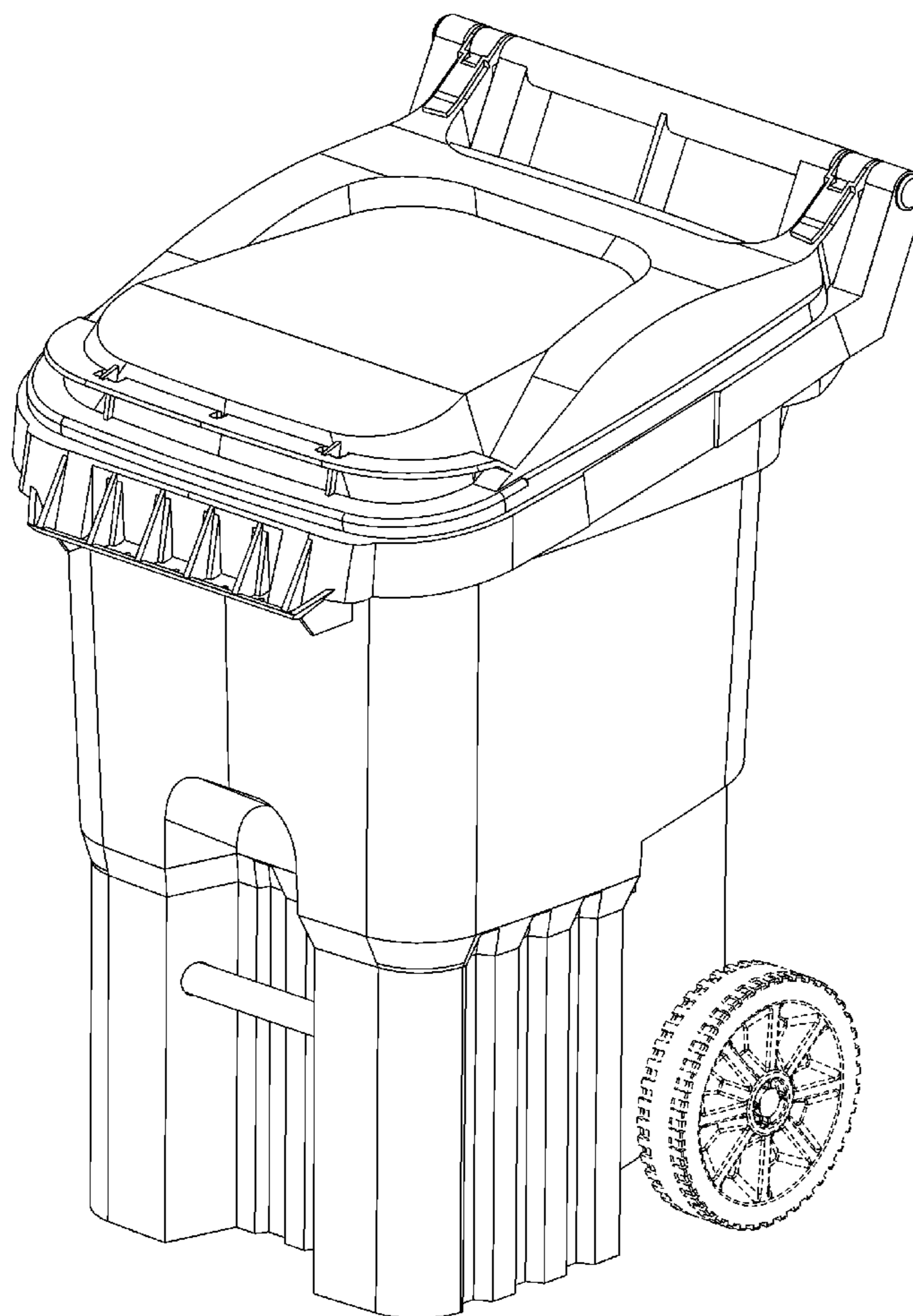
FIG. 5 is a top view of the container.

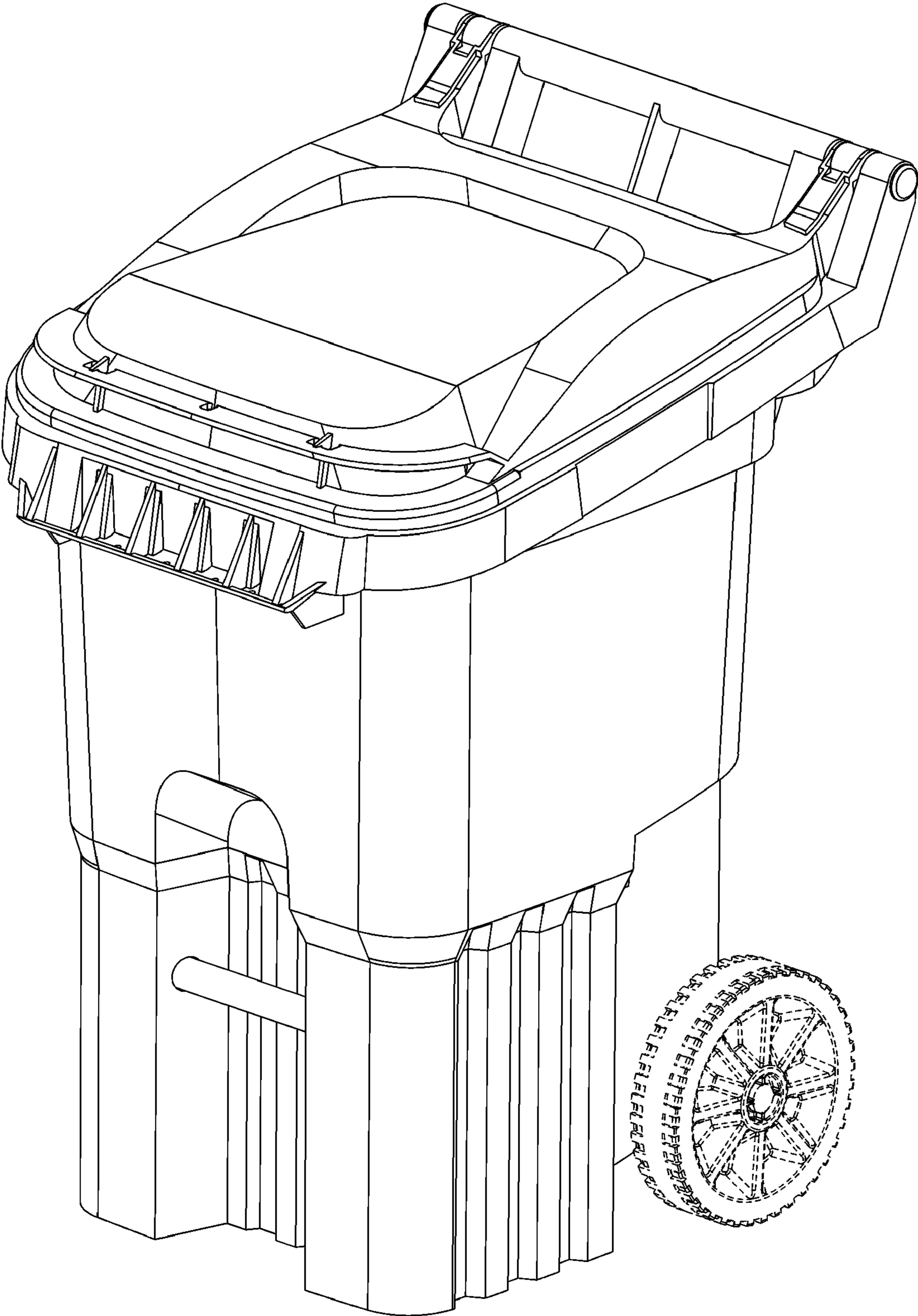
FIG. 6 is a bottom view of the container; and,

FIG. 7 is a rear view of the container.

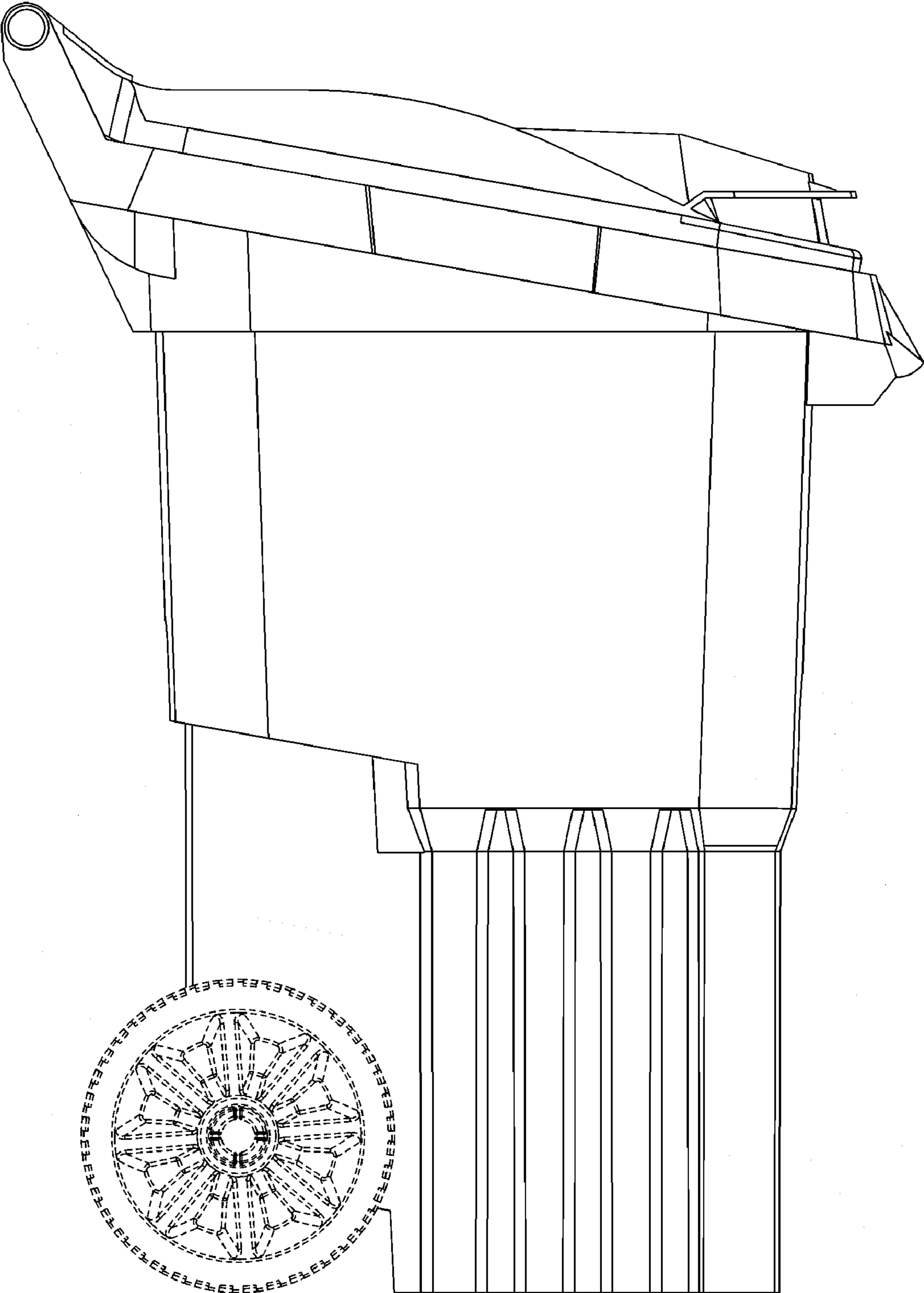
The broken lines shown herein are for illustrative purposes only and form no part of the claimed design.

**1 Claim, 7 Drawing Sheets**

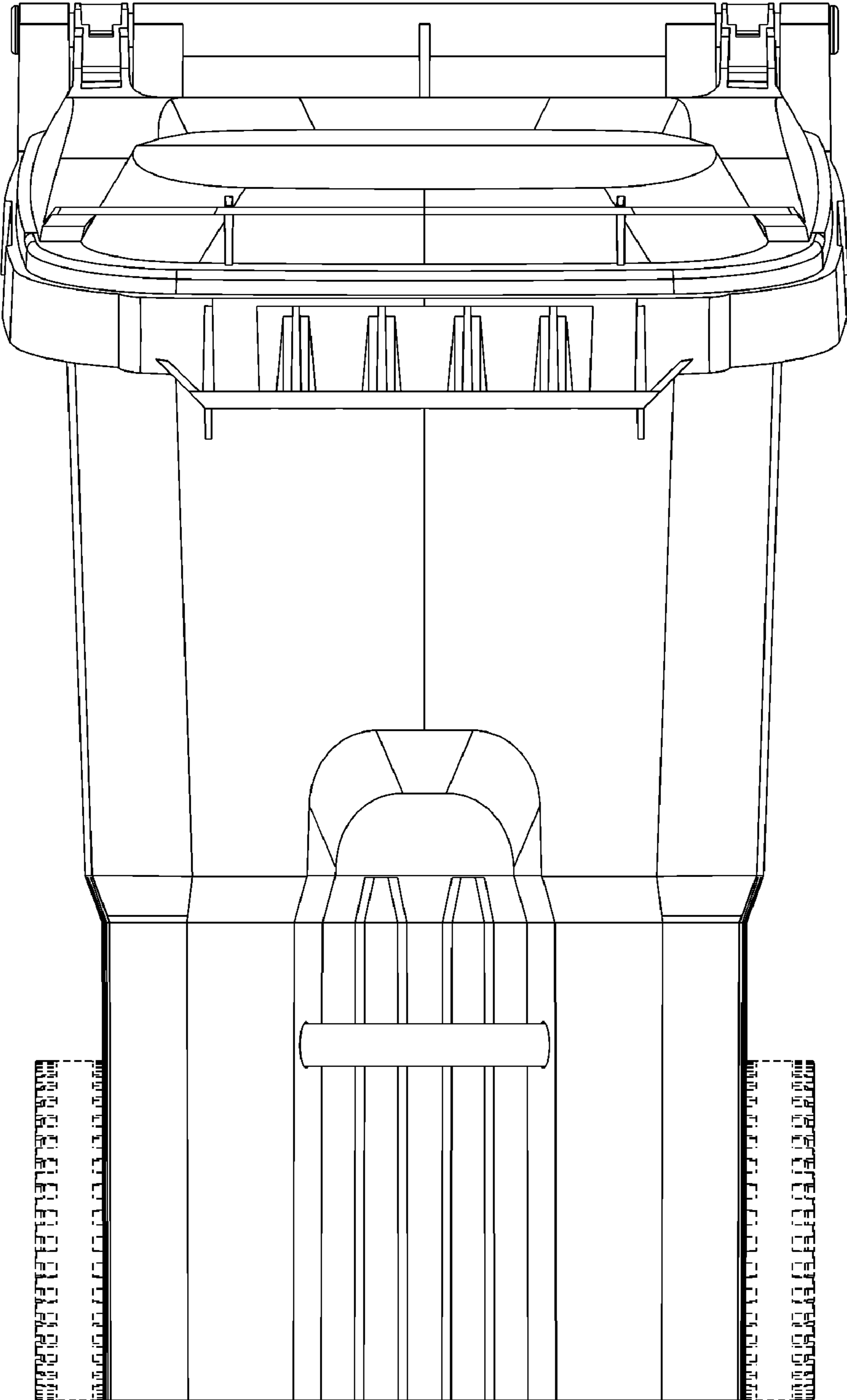




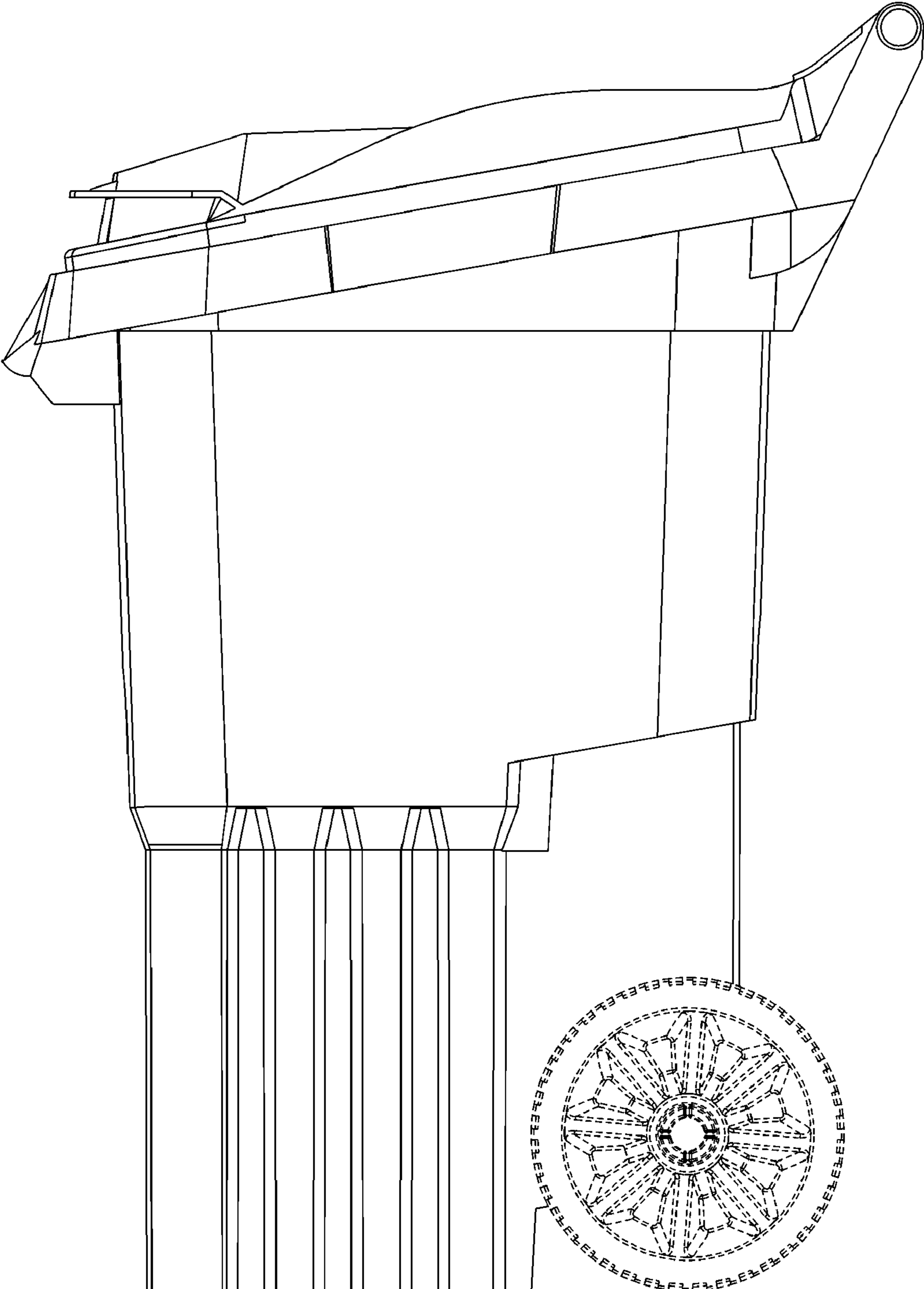
*Fig. 1*



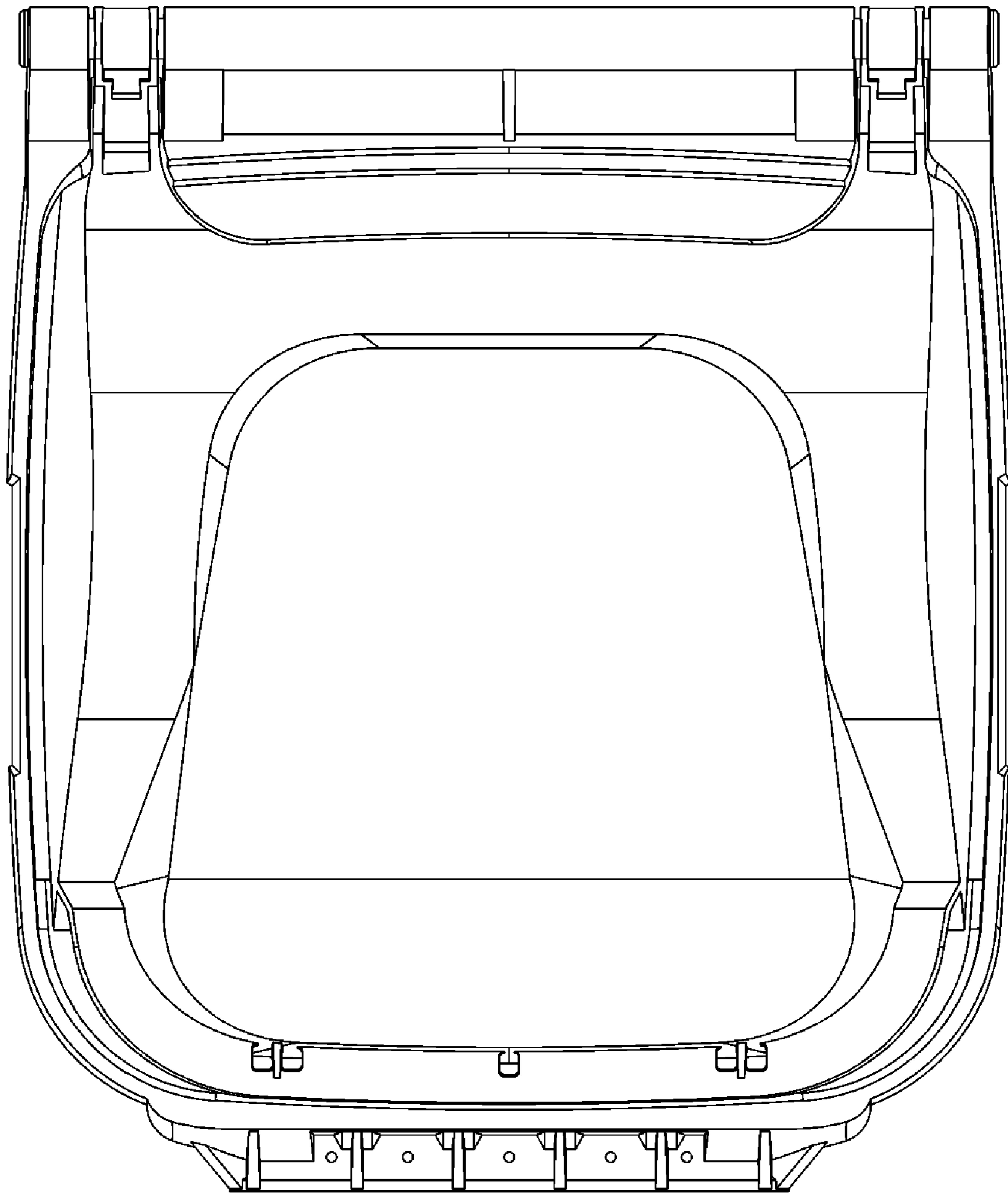
*Fig. 2*



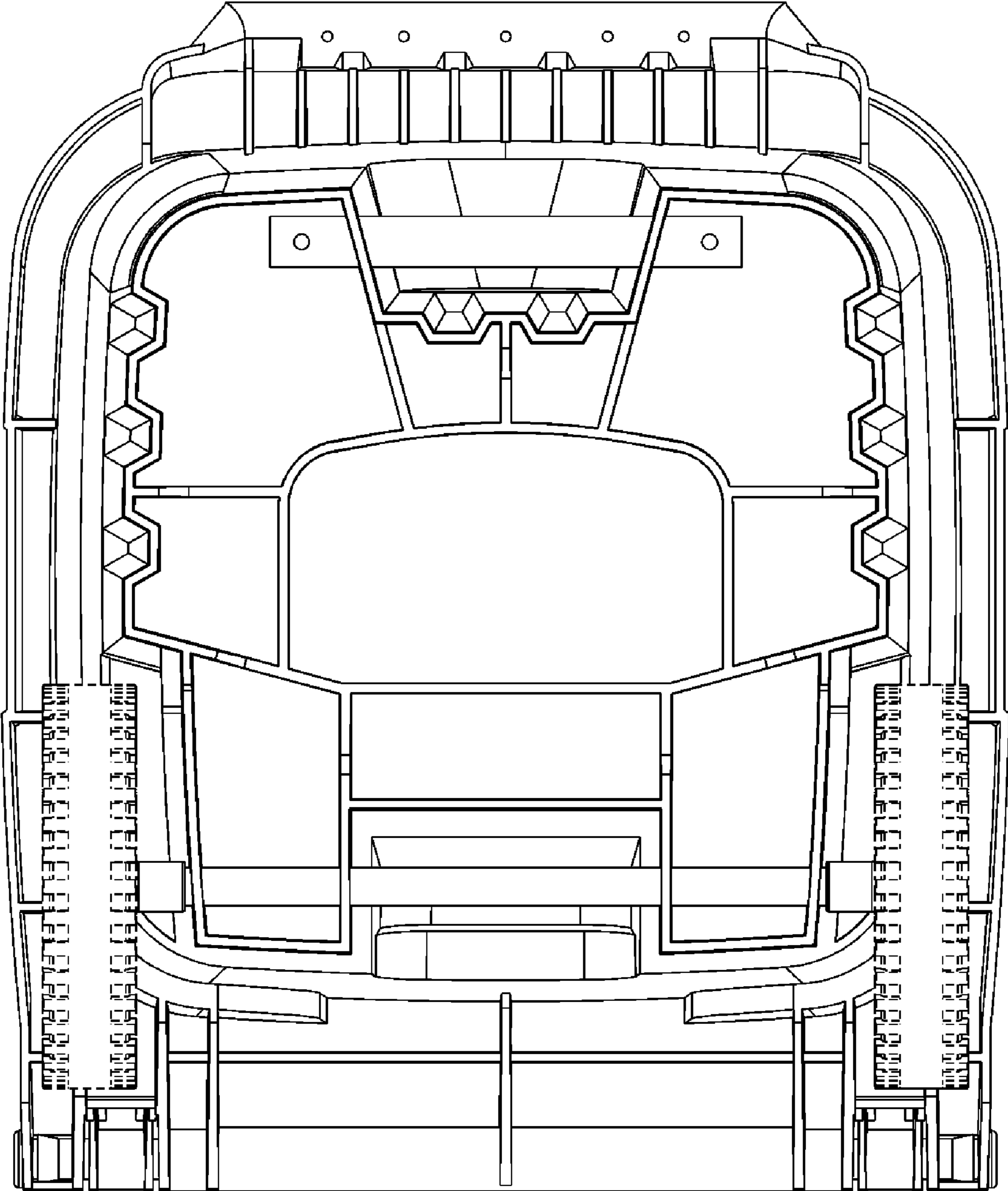
*Fig. 3*



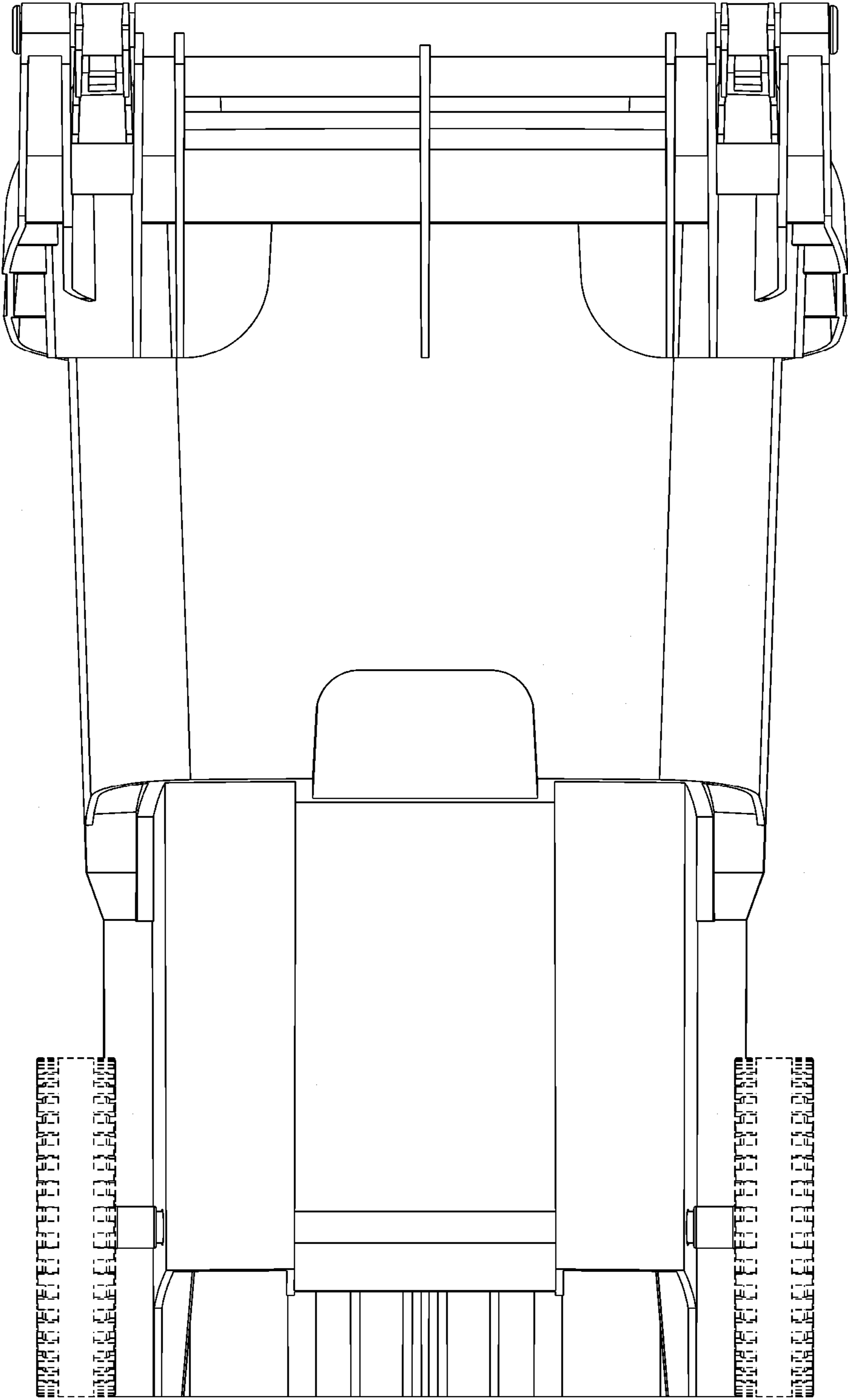
*Fig. 4*



*Fig. 5*



*Fig. 6*



*Fig. 7*