



US00D577169S

(12) **United States Design Patent**  
**Zak**

(10) **Patent No.:** **US D577,169 S**

(45) **Date of Patent:** **\*\* Sep. 16, 2008**

(54) **WHEELED BUCKET**

(75) Inventor: **Zvi Zak**, Herzlia (IL)

(73) Assignee: **Keter Plastics Ltd.**, Herzelyia (IL)

(\*\*) Term: **14 Years**

(21) Appl. No.: **29/274,034**

(22) Filed: **Mar. 22, 2007**

D388,580 S	12/1997	Havlovitz
D391,732 S	3/1998	Spear et al.
5,758,886 A	6/1998	Mayer
5,918,343 A	7/1999	Young
6,145,856 A	11/2000	Conti
6,219,944 B1	4/2001	Byers
6,283,170 B1	9/2001	Robinson
6,698,771 B1	3/2004	Bergeron
D492,458 S	6/2004	Jarast
2004/0075248 A1	4/2004	Elden
2004/0149761 A1	8/2004	Smith
2006/0175779 A1	8/2006	Zak

**Related U.S. Application Data**

(62) Division of application No. 29/231,608, filed on Jun. 8, 2005, now Pat. No. Des. 547,514.

**Foreign Application Priority Data**

Jan. 20, 2005 (IL) ..... 40197

(51) **LOC (8) Cl.** ..... **07-07**

(52) **U.S. Cl.** ..... **D32/53**

(58) **Field of Classification Search** ..... D32/53,  
D32/37; D34/12, 16-19, 25-27; 280/47.31,  
280/47.18, 47.26, 47.12, 652, 52, 42  
See application file for complete search history.

**References Cited**

**U.S. PATENT DOCUMENTS**

1,014,475 A	1/1912	Holloway
1,572,480 A	2/1926	Hislop
3,292,942 A	12/1966	Mitty et al.
3,346,271 A	10/1967	Parsons
4,908,904 A	3/1990	Smith, Jr.
D315,757 S	3/1991	Klitsner
D327,350 S	6/1992	Brown et al.
D337,409 S	7/1993	Maple et al.
5,433,463 A	7/1995	Finley
5,445,397 A	8/1995	Evans
D370,326 S *	5/1996	Chapman et al. .... D34/16
D379,016 S	4/1997	Wilson

**FOREIGN PATENT DOCUMENTS**

DE	42 15 792 C1	12/1993
DE	10 2004 031 059 A1	1/2006
EP	0 410 772 A2	1/1991
WO	WO 00/33719	6/2000
WO	02/28726 A1	4/2002
WO	WO 03/088803 A1	10/2003

\* cited by examiner

*Primary Examiner*—Pamela J Burgess

(74) *Attorney, Agent, or Firm*—Browdy and Neimark, P.L.L.C.

(57) **CLAIM**

The ornamental design for a wheeled bucket, as shown and described.

**DESCRIPTION**

FIG. 1 is a front view of a wheeled bucket, showing my new design;

FIG. 2 is a rear view thereof;

FIG. 3 is an isometric view thereof;

FIG. 4 is a side view thereof, the other side being identical; and,

FIG. 5 is a top view thereof.

**1 Claim, 5 Drawing Sheets**

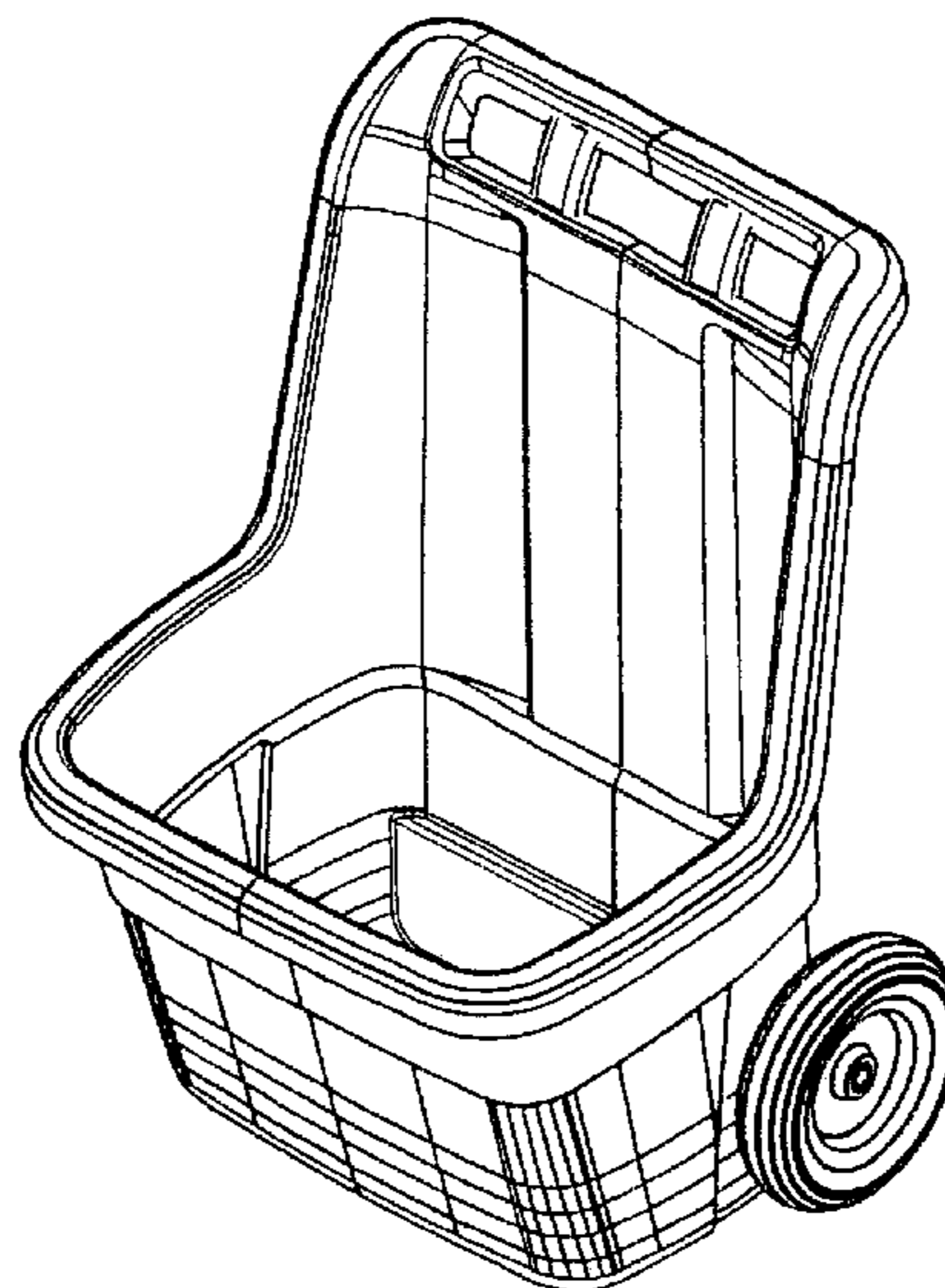


Fig. 1

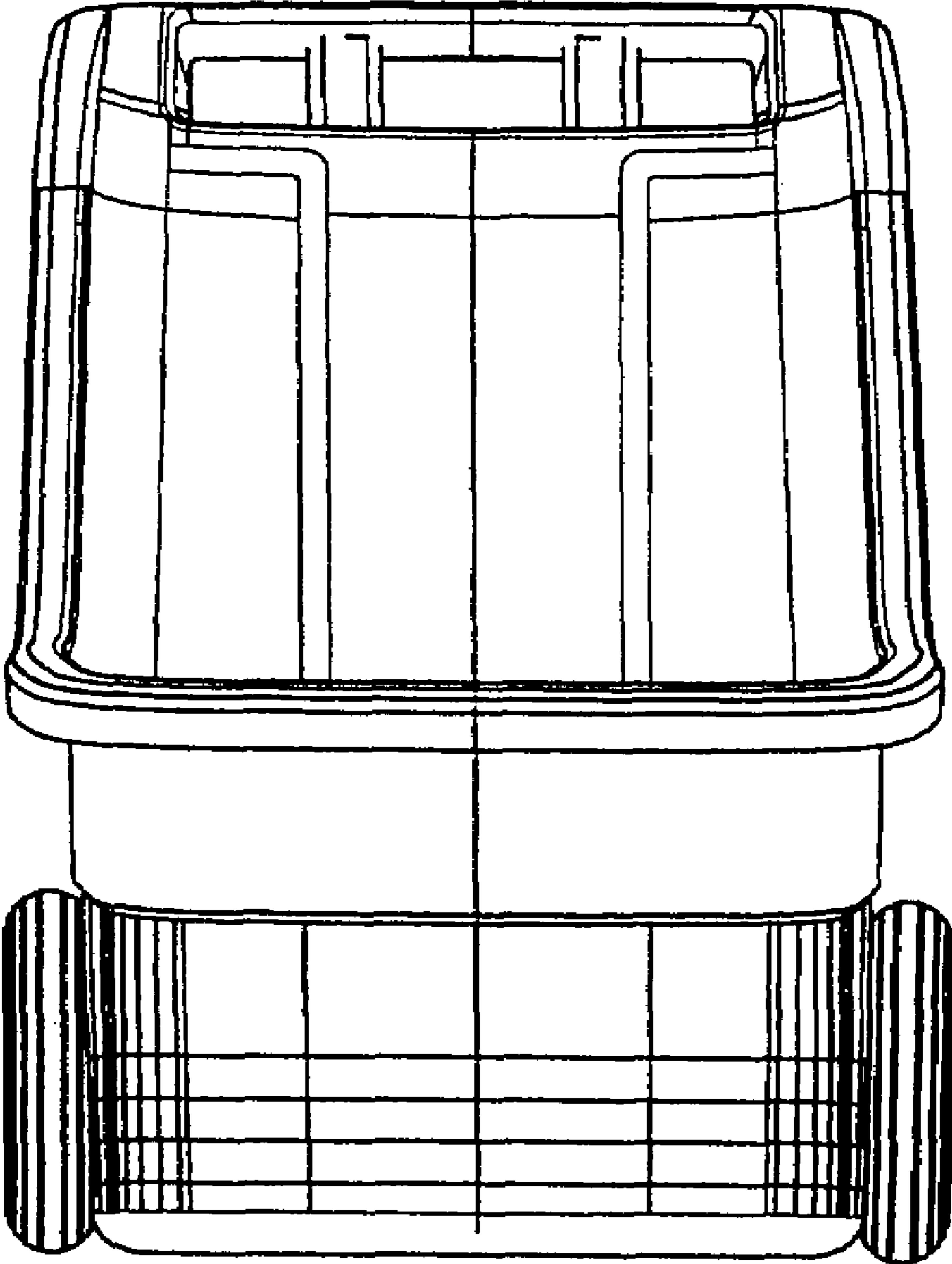


Fig. 2

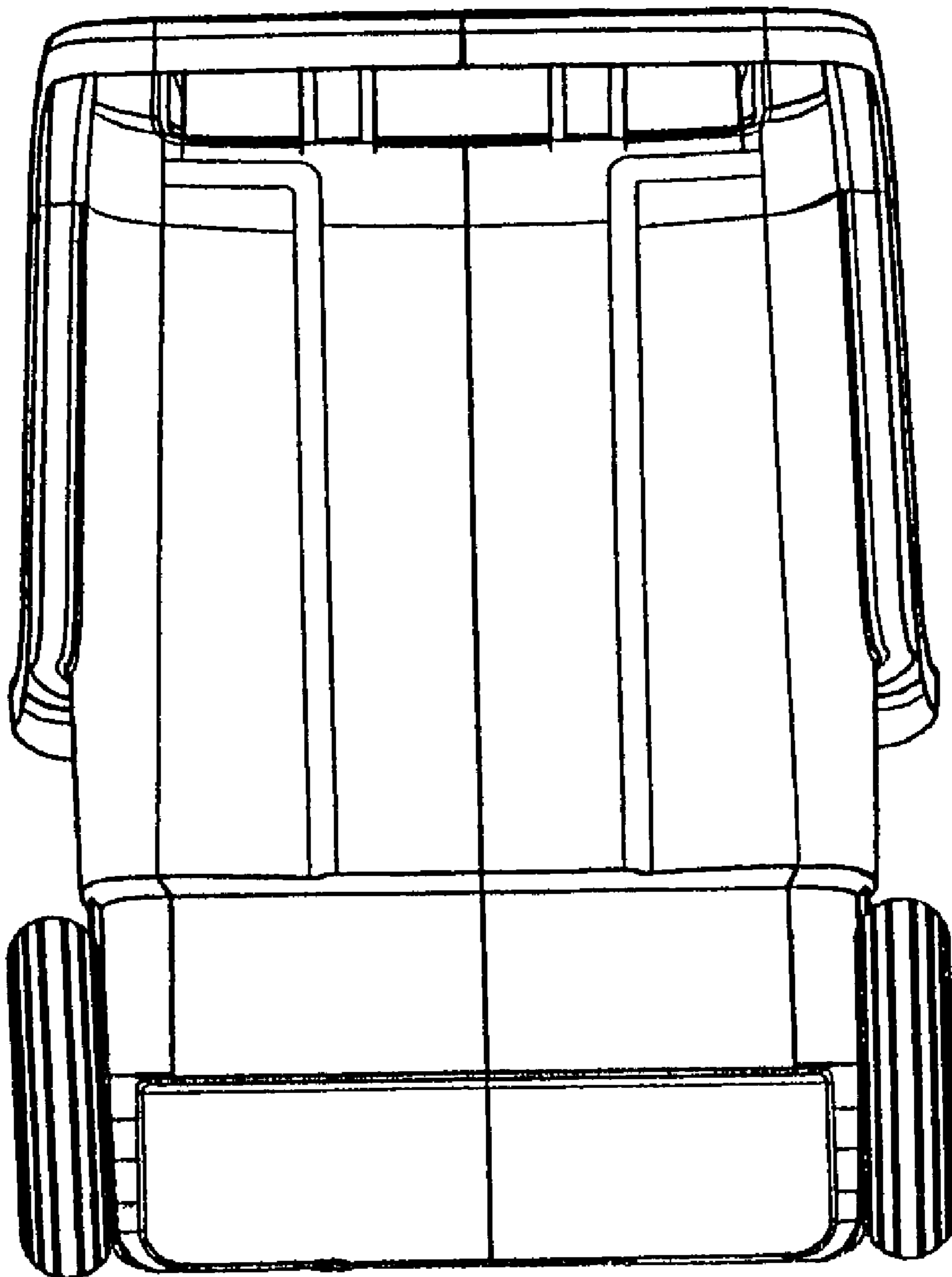


Fig. 3

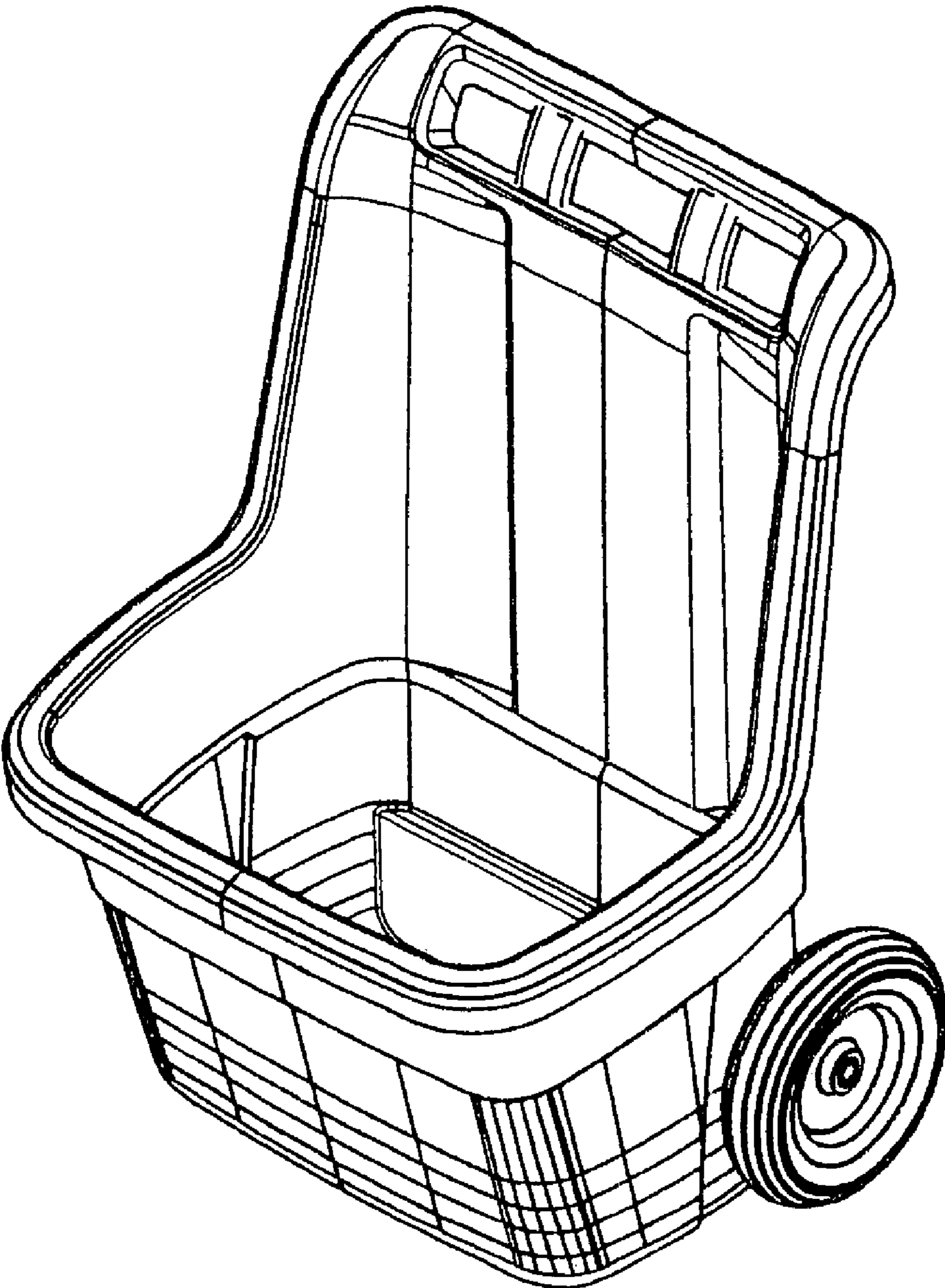
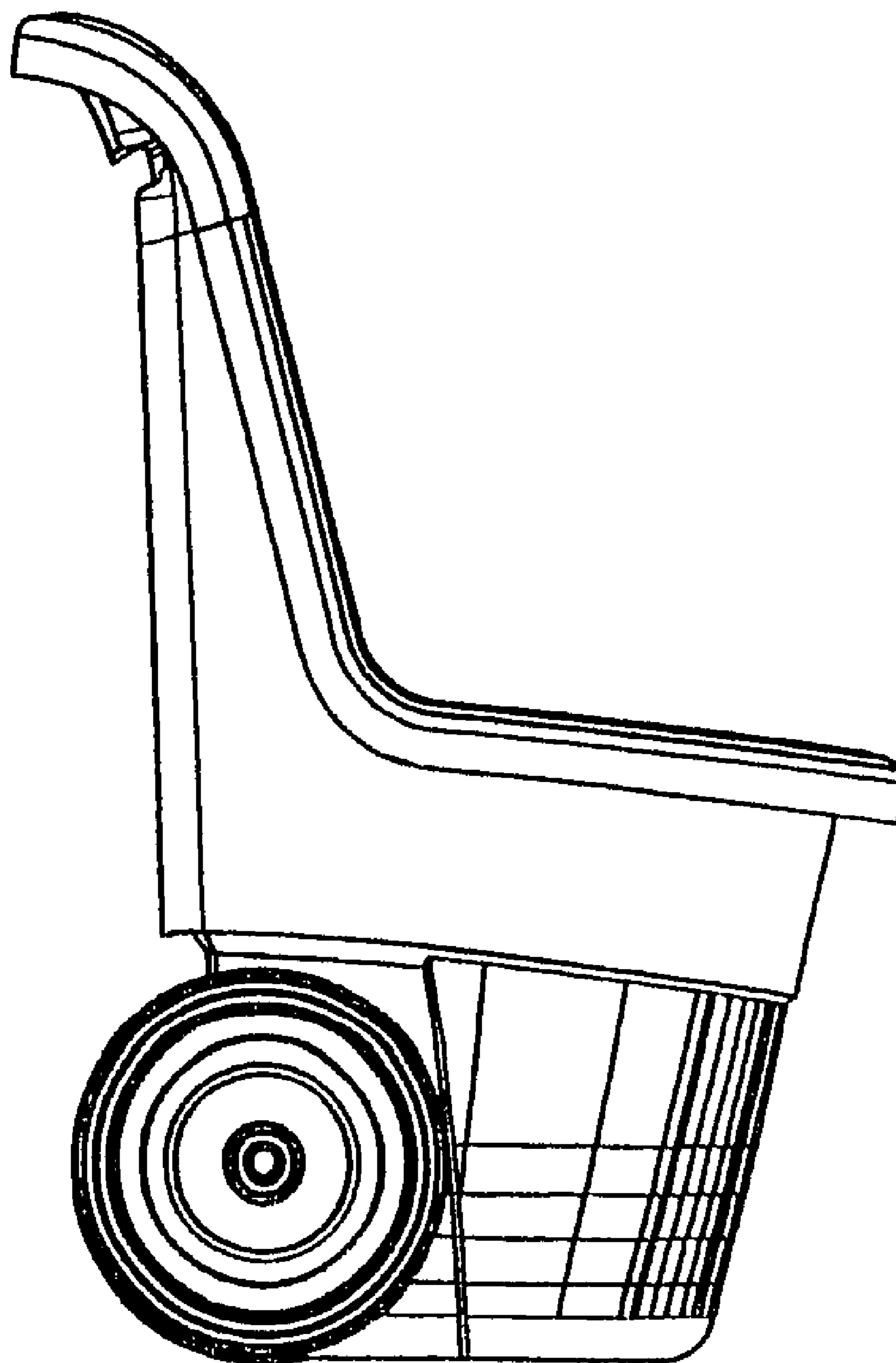


Fig. 4



# Fig. 5

