



US00D577166S

(12) **United States Design Patent**
Rosenzweig

(10) **Patent No.:** **US D577,166 S**
(45) **Date of Patent:** **** Sep. 16, 2008**

(54) **SURFACE CLEANER**

DESCRIPTION

- (75) Inventor: **Mark Rosenzweig**, Chestnut Hill, MA (US)
- (73) Assignee: **Euro-Pro Corporation**, West Newton, MA (US)
- (**) Term: **14 Years**
- (21) Appl. No.: **29/281,163**
- (22) Filed: **Jun. 15, 2007**

Related U.S. Application Data

- (62) Division of application No. 29/208,111, filed on Jun. 24, 2004, now Pat. No. Des. 549,909.
 - (51) **LOC (8) Cl.** **15-05**
 - (52) **U.S. Cl.** **D32/38**
 - (58) **Field of Classification Search** D32/15, D32/17, 18, 19, 21, 22, 25, 31, 32, 33, 38, D32/39, 34, 35, 40, 50, 51; 15/41.1, 42-44, 15/46, 48, 79.1, 342, 349, 364, 388, 246.2, 15/250, 362, 412
- See application file for complete search history.

References Cited

U.S. PATENT DOCUMENTS

D293,142 S 12/1987 Kubota

(Continued)

Primary Examiner—Clare E Heflin
Assistant Examiner—Barbara Fox
(74) *Attorney, Agent, or Firm*—Womble Carlyle Sandridge & Rice, PLLC

CLAIM

The ornamental design for a surface cleaner, as shown and described.

FIG. 1 is a front perspective view of a first embodiment of a surface cleaner according to my novel design;

FIG. 2 is a rear perspective view of the first embodiment of the surface cleaner according to my novel design;

FIG. 3 is a top view of the first embodiment of the surface cleaner according to my novel design;

FIG. 4 is a front view of the first embodiment of the surface cleaner according to my novel design;

FIG. 5 is a rear view of the first embodiment of the surface cleaner according to my novel design;

FIG. 6 is a left side view of the first embodiment of the surface cleaner according to my novel design;

FIG. 7 is a right side view of the first embodiment of the surface cleaner according to my novel design;

FIG. 8 is a bottom view of the first embodiment of the surface cleaner;

FIG. 9 is a front perspective view of a second embodiment of the surface cleaner;

FIG. 10 is a rear perspective view of the second embodiment of the surface cleaner according to my novel design;

FIG. 11 is a top view of the second embodiment of the surface cleaner according to my novel design;

FIG. 12 is a front view of the second embodiment of the surface cleaner according to my novel design;

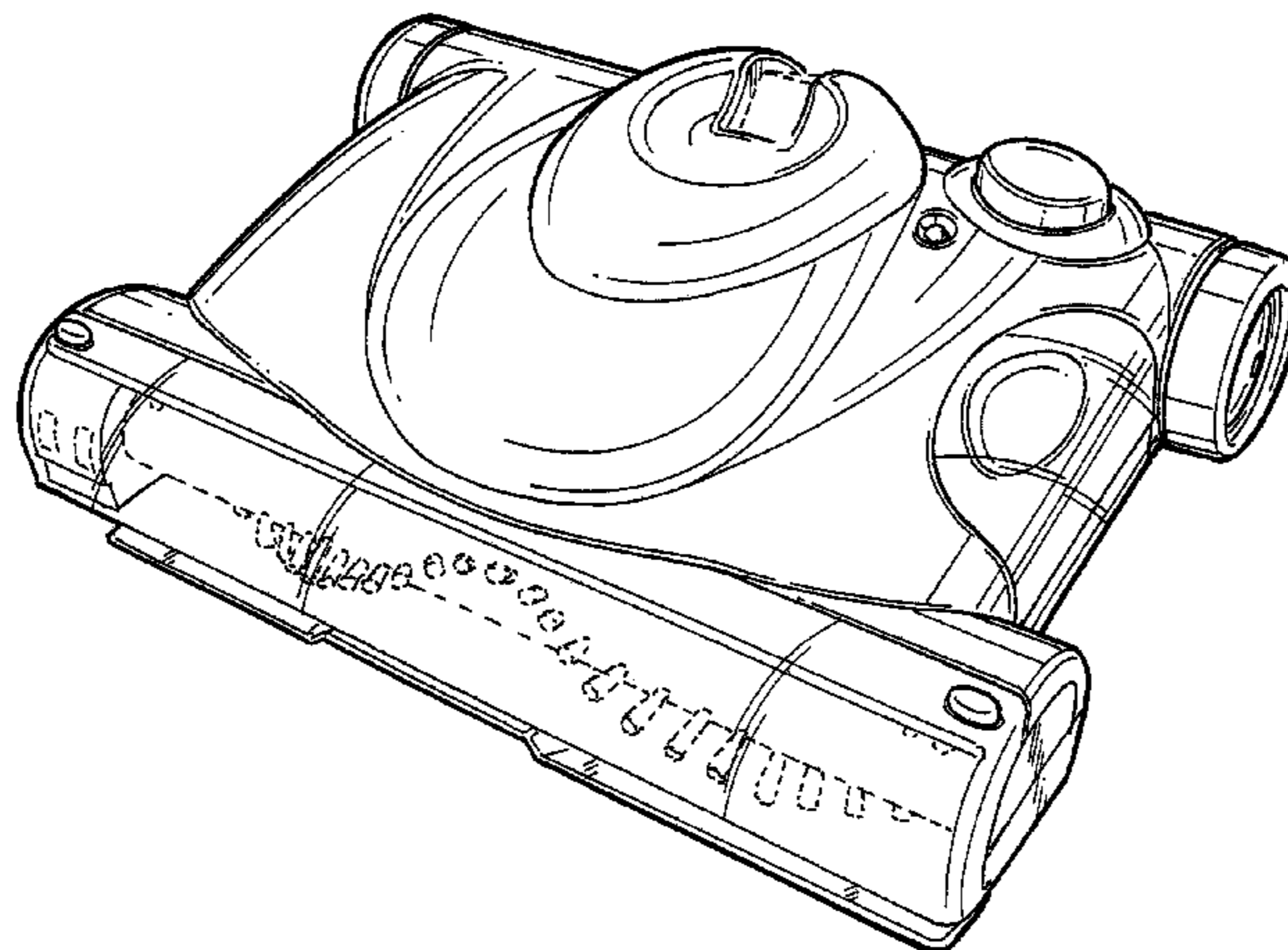
FIG. 13 is a rear view of the second embodiment of the surface cleaner according to my novel design;

FIG. 14 is a left side view of the second embodiment of the surface cleaner according to my novel design; and,

FIG. 15 is a right side view of the second embodiment of the surface cleaner according to my novel design.

The broken lines are for illustrative purposes only and form no part of the claimed design.

1 Claim, 11 Drawing Sheets



US D577,166 S

Page 2

U.S. PATENT DOCUMENTS

| | | | | | | | |
|--------------|---------|--------------------|--------|-------------------|---------|------------------------|--------|
| D305,373 S | 1/1990 | Yamamoto et al. | | 7,013,521 B2 | 3/2006 | Grey | |
| D412,380 S * | 7/1999 | Wareham | D32/32 | D524,498 S * | 7/2006 | Luebbering et al. | D32/32 |
| D418,267 S * | 12/1999 | Lin | D32/32 | D537,220 S * | 2/2007 | Porter et al. | D32/32 |
| D427,399 S * | 6/2000 | Thur et al. | D32/33 | D538,985 S * | 3/2007 | Porter et al. | D32/31 |
| D458,719 S | 6/2002 | Waldron et al. | | D541,498 S * | 4/2007 | Moine et al. | D32/32 |
| D460,843 S | 7/2002 | Saimen et al. | | 2004/0074027 A1 | 4/2004 | Grey | |
| D475,823 S * | 6/2003 | Medema et al. | D32/32 | 2004/0181888 A1 | 9/2004 | Tawara et al. | |
| D501,589 S | 2/2005 | Carr et al. | | 2004/0221406 A1 | 11/2004 | Grey | |
| D507,087 S | 7/2005 | Archer | | 2004/0255411 A1 | 12/2004 | Grey | |
| D513,351 S | 12/2005 | Archer | | 2005/0022337 A1 * | 2/2005 | Roney et al. | 15/412 |
| D516,760 S | 3/2006 | Choi | | | | | |

* cited by examiner

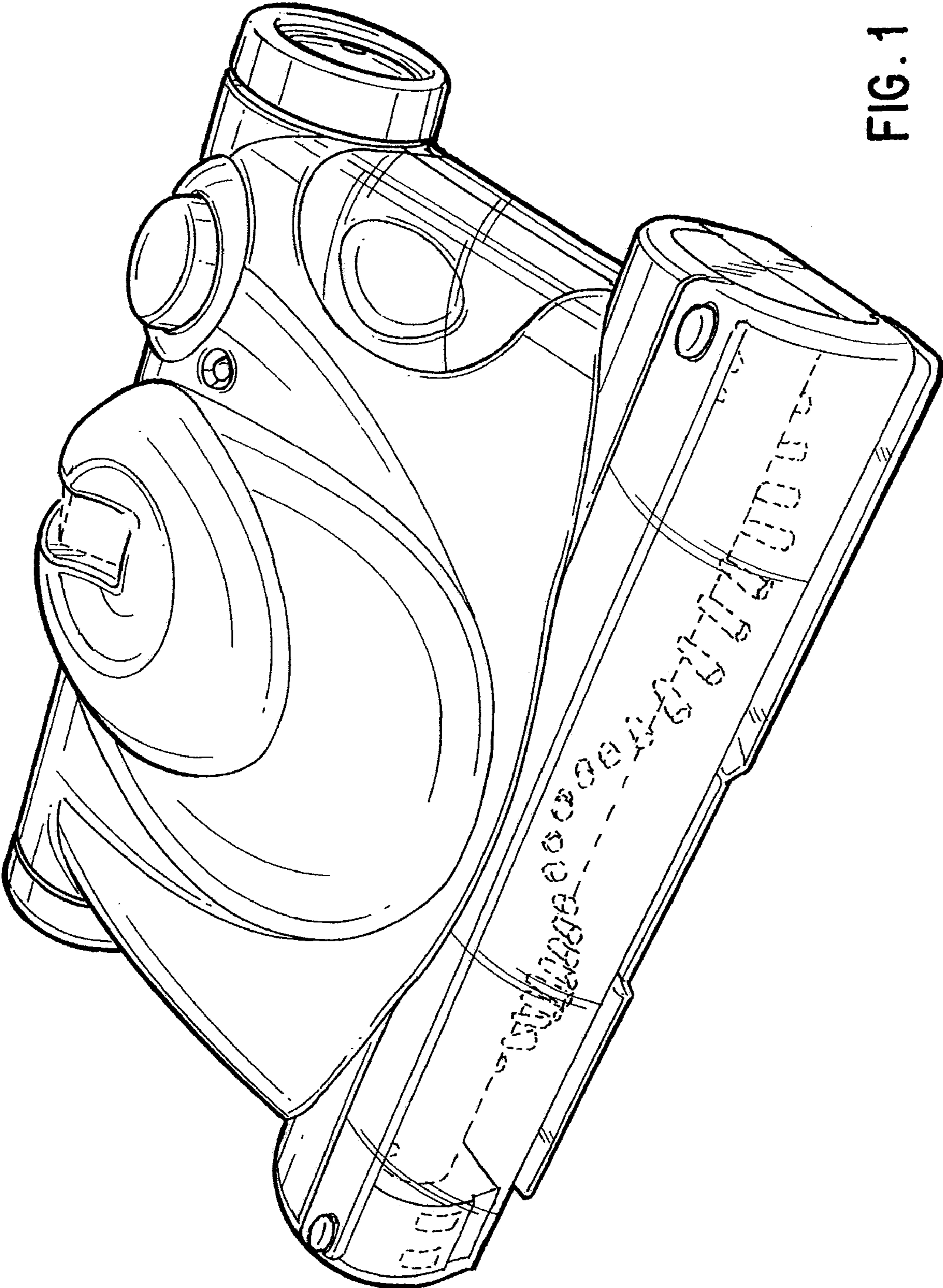


FIG. 1

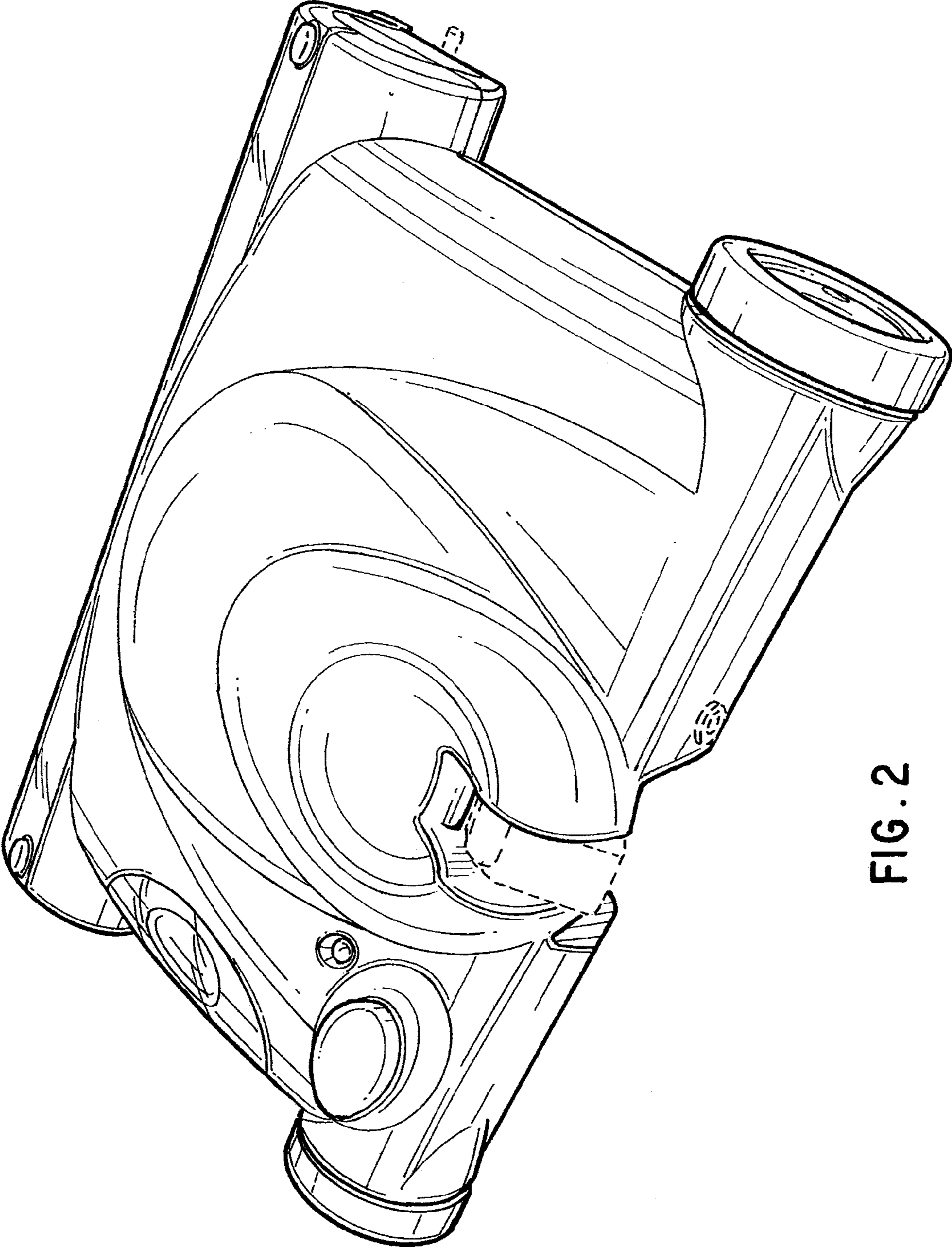


FIG. 2

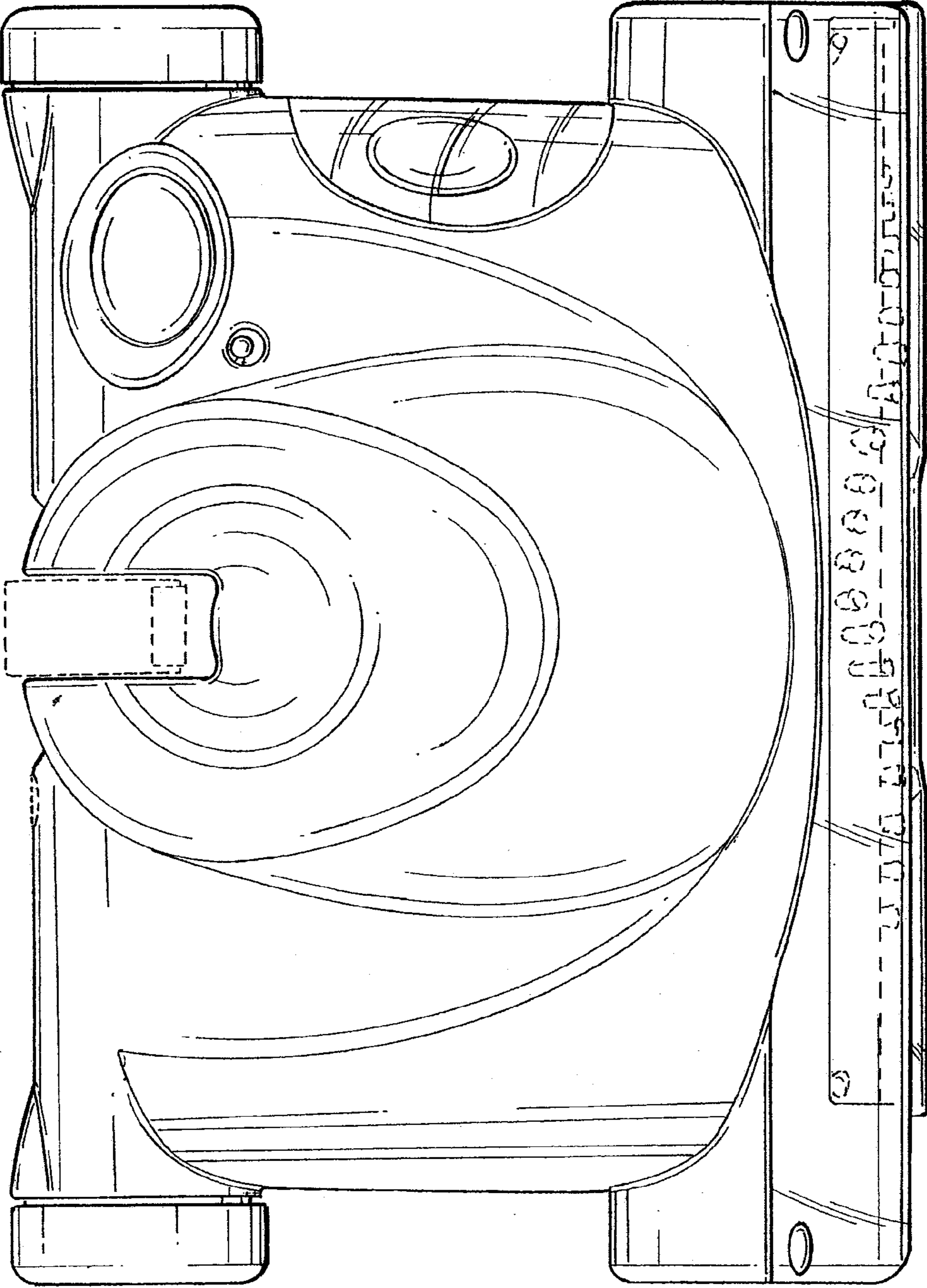


FIG. 3

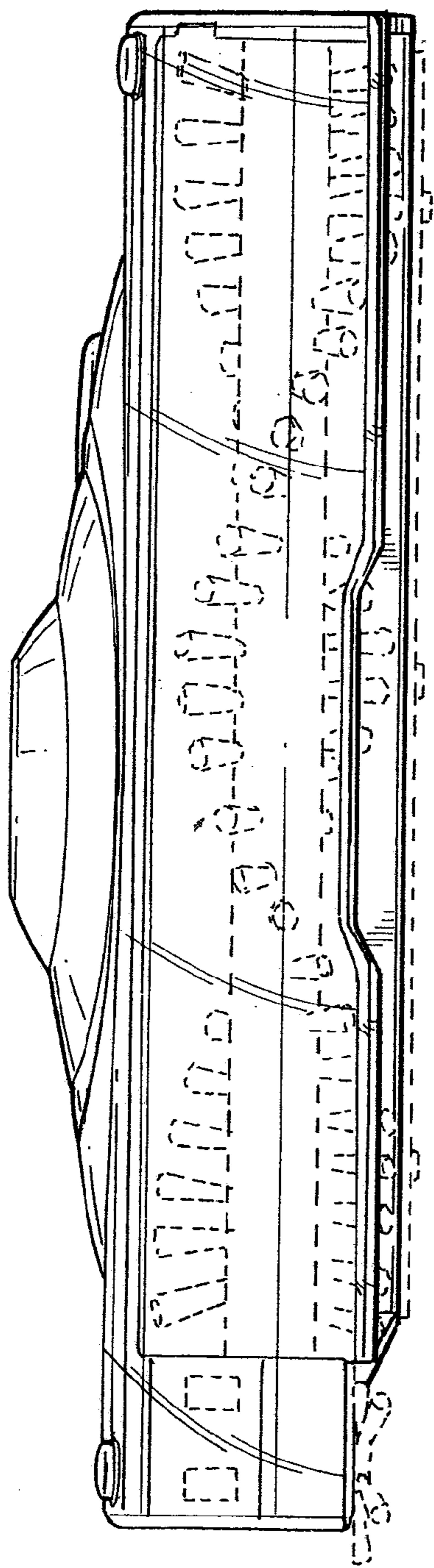


FIG. 4

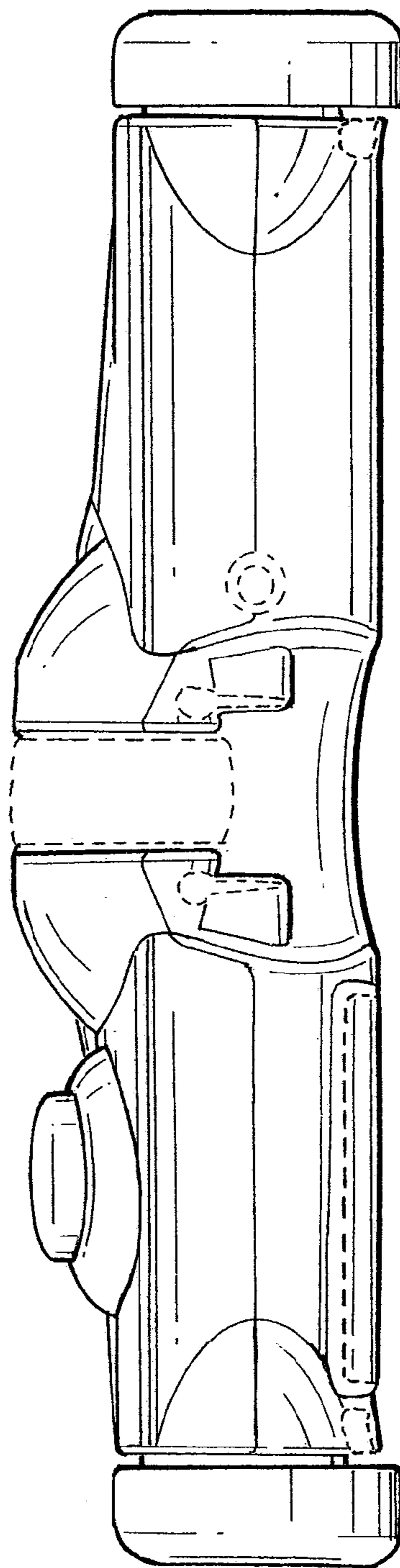


FIG. 5

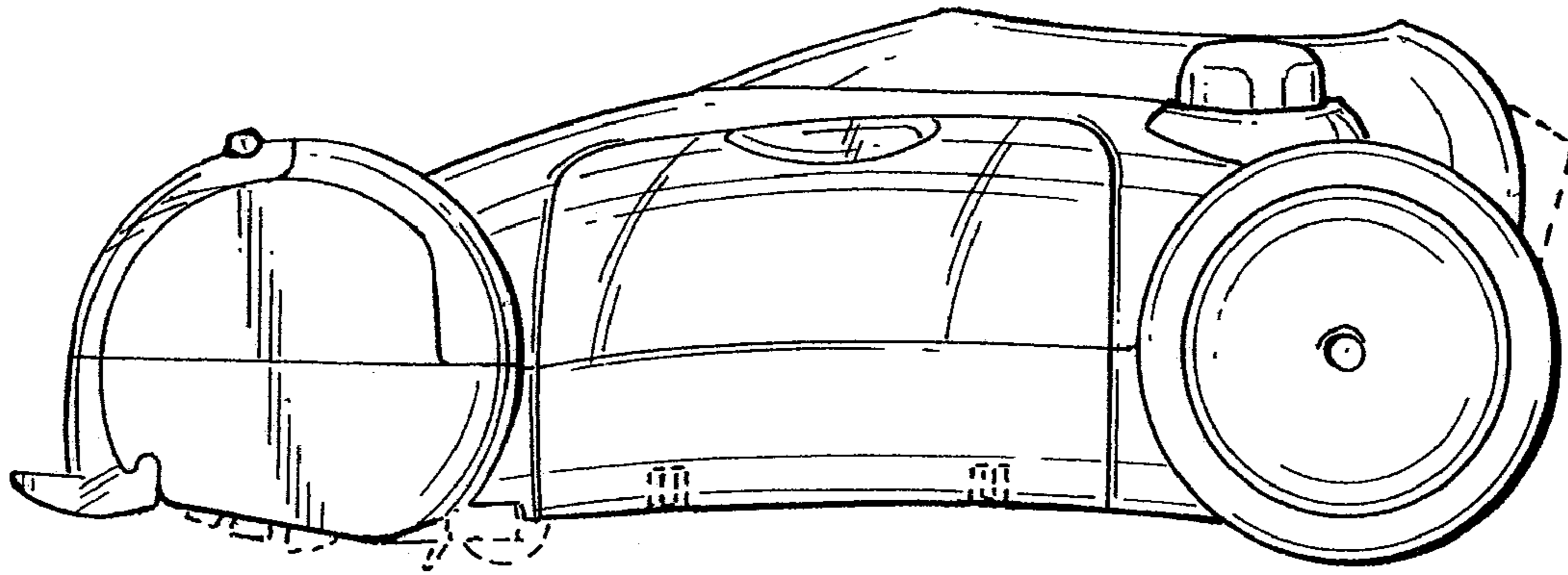


FIG. 6

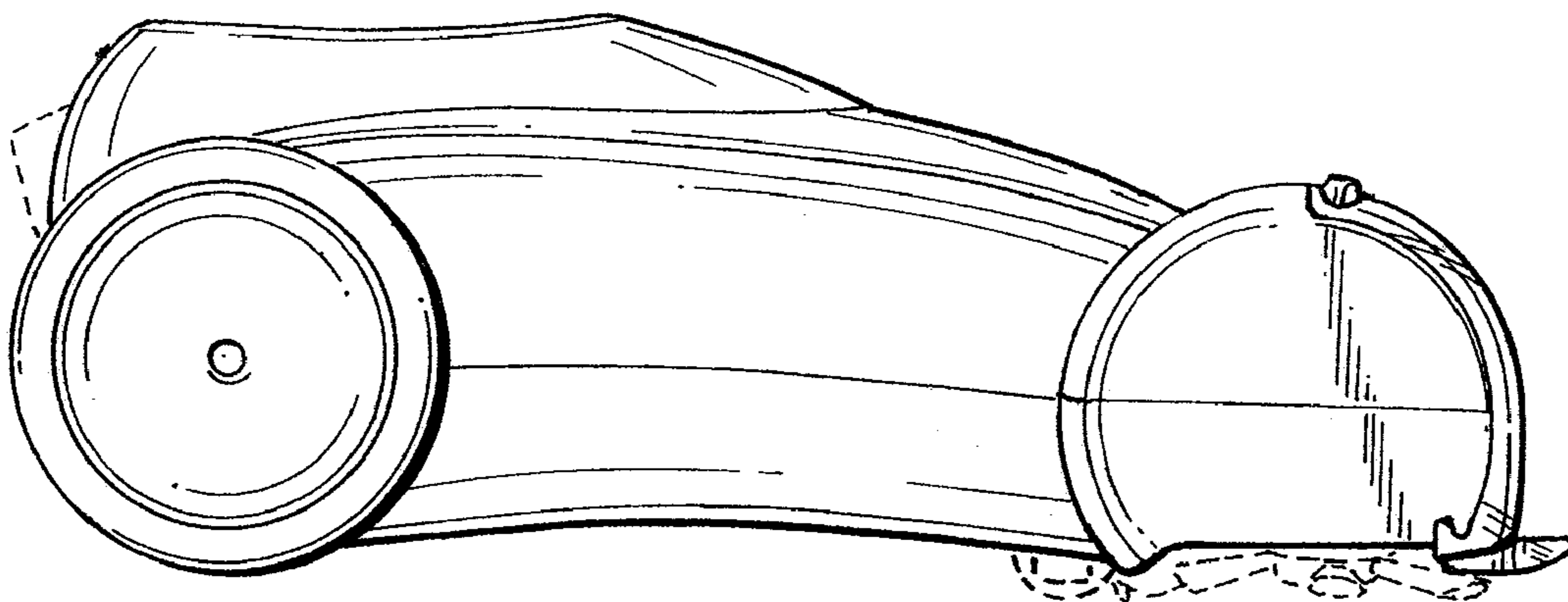


FIG. 7

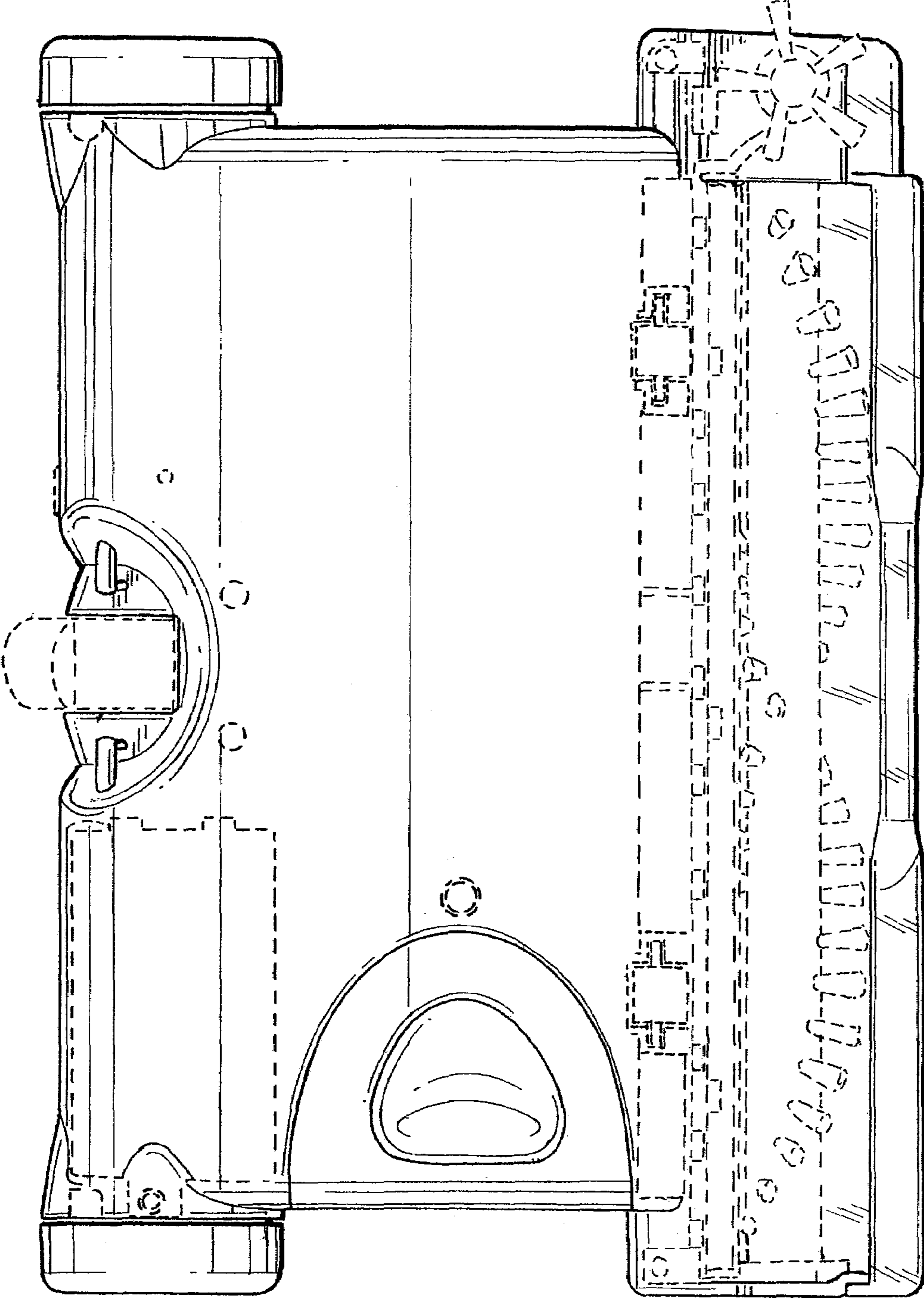


FIG. 8

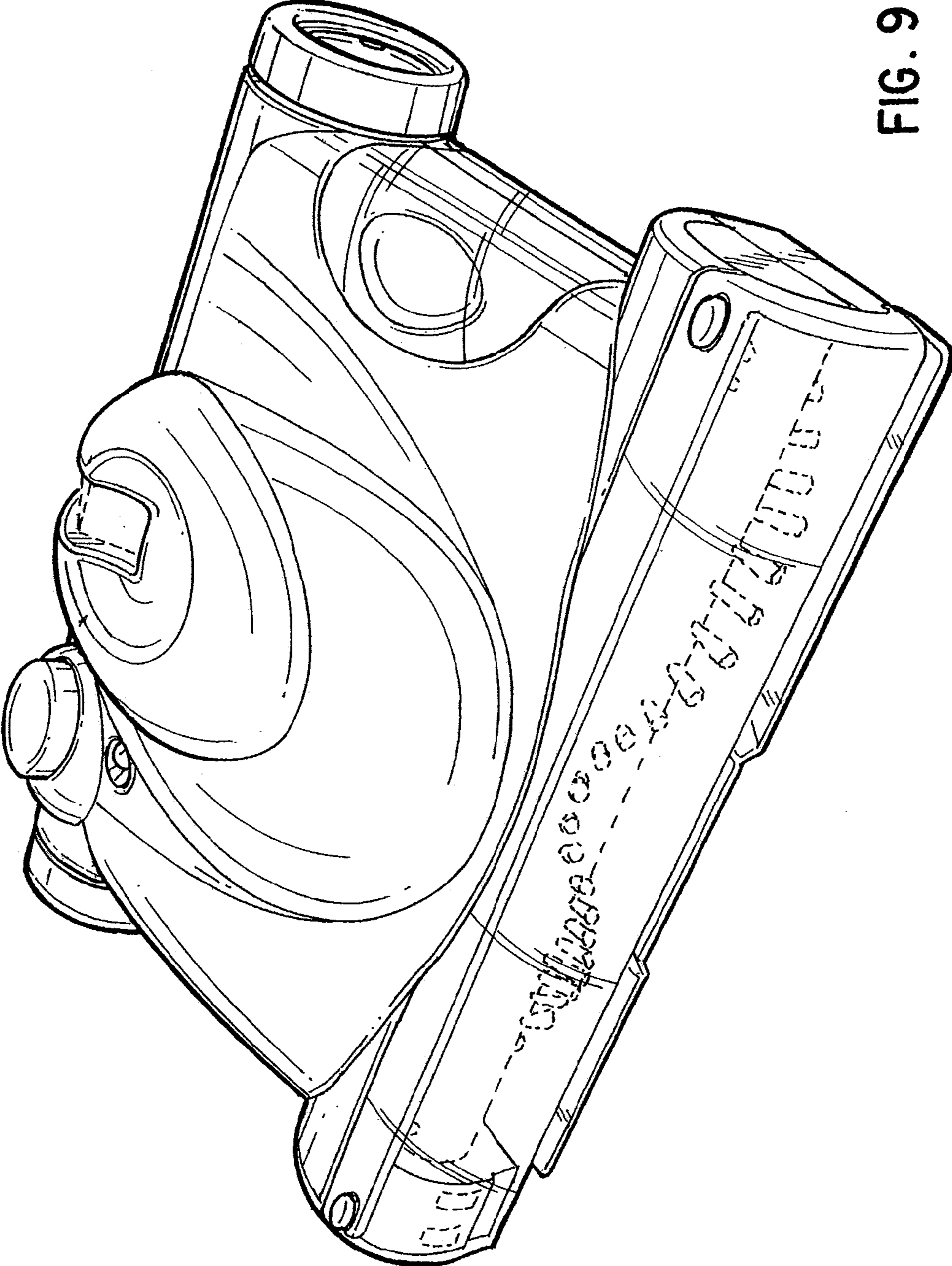


FIG. 9

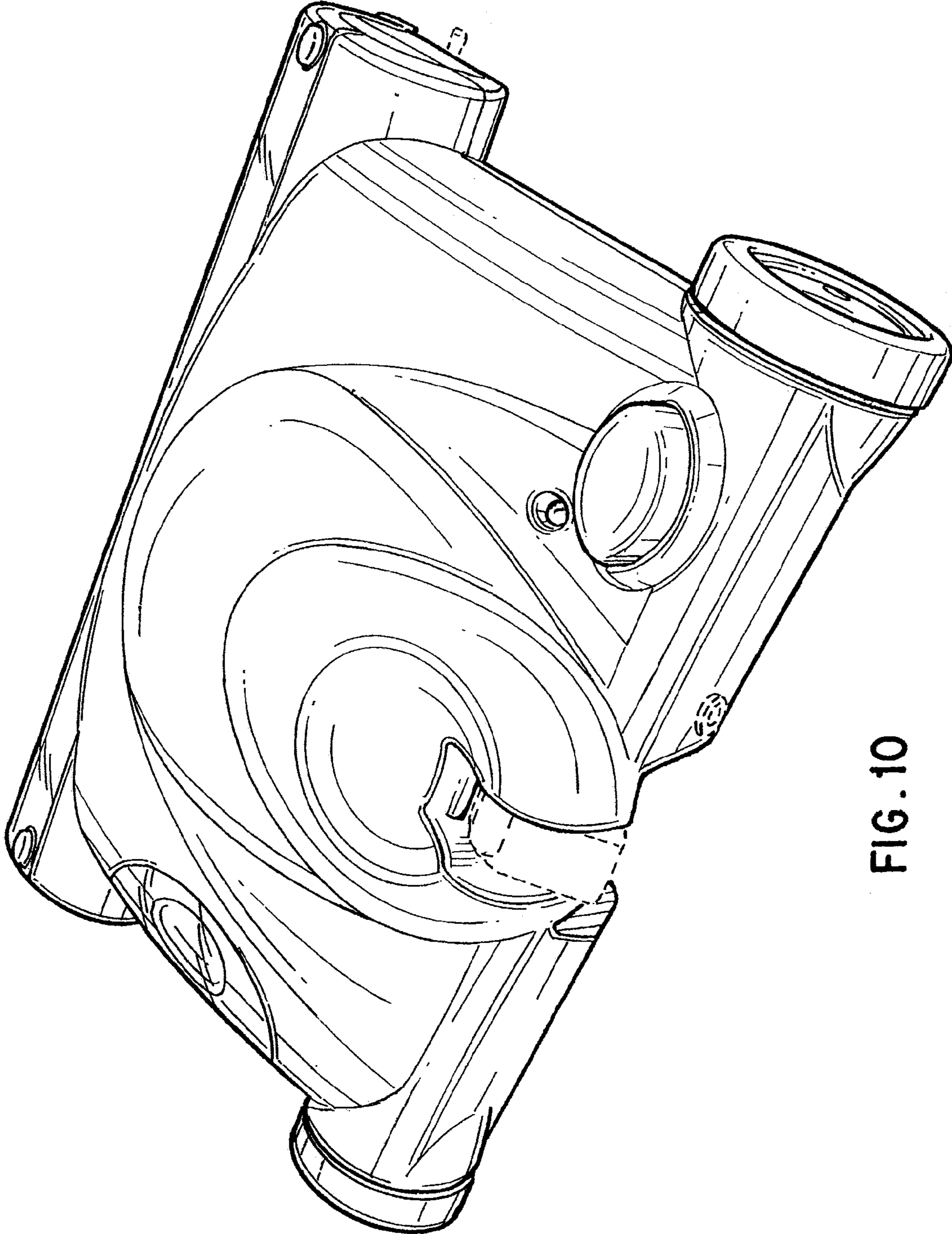


FIG. 10

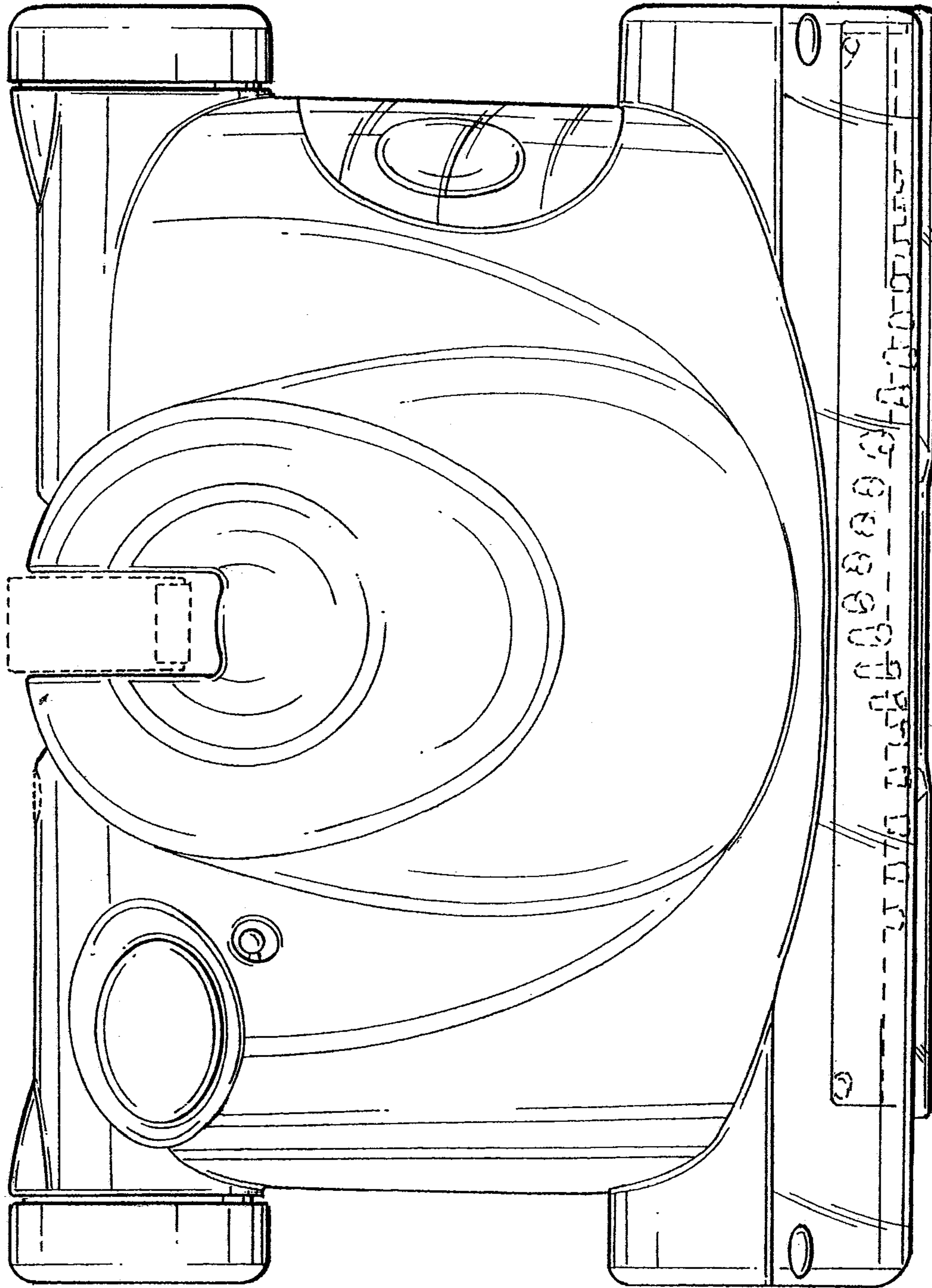


FIG. 11

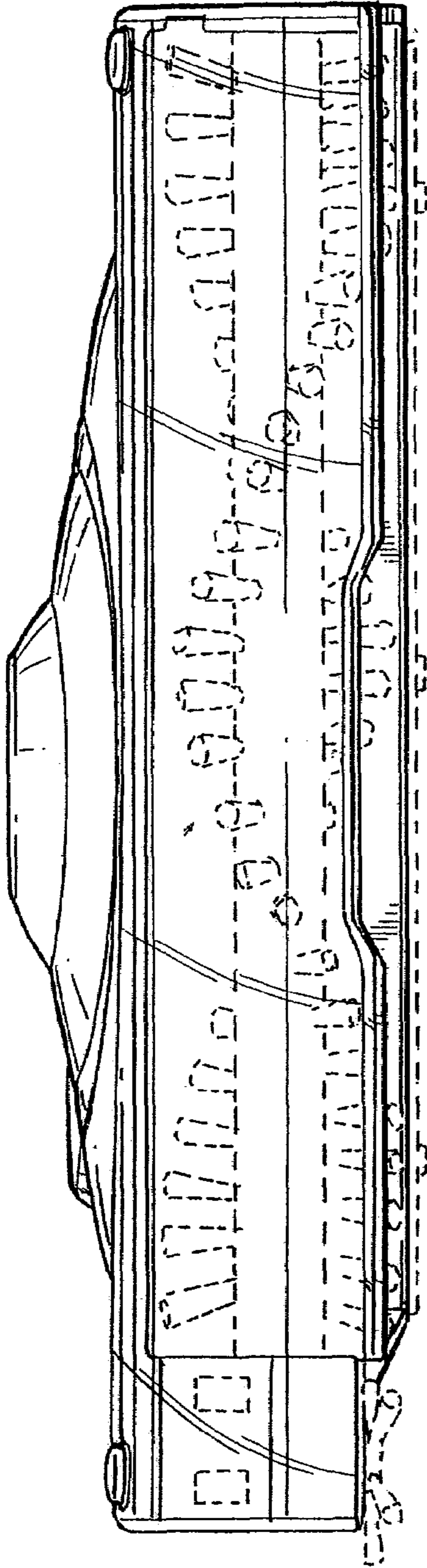


FIG. 12

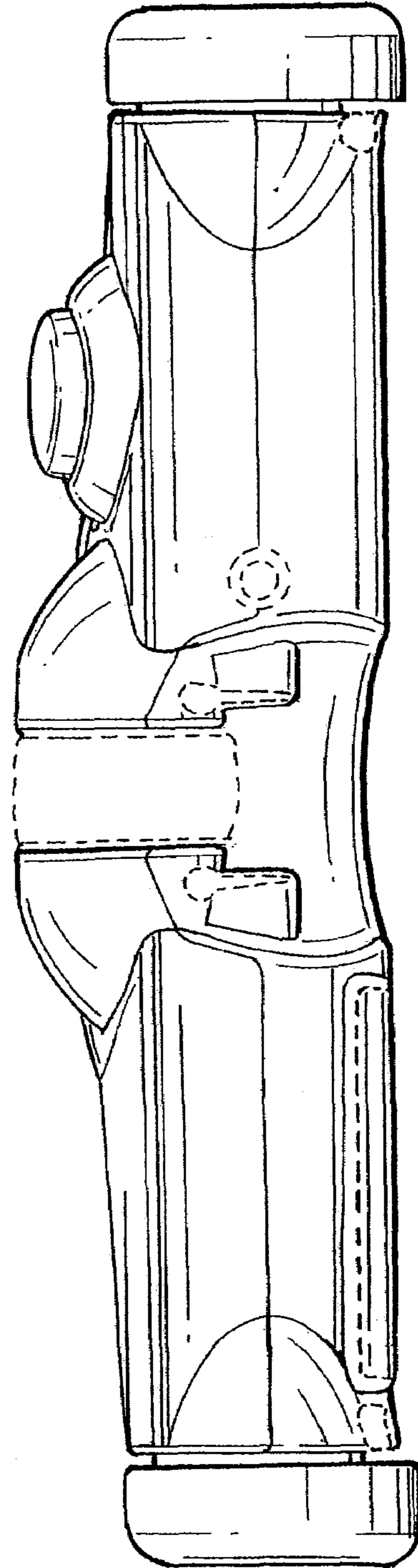


FIG. 13

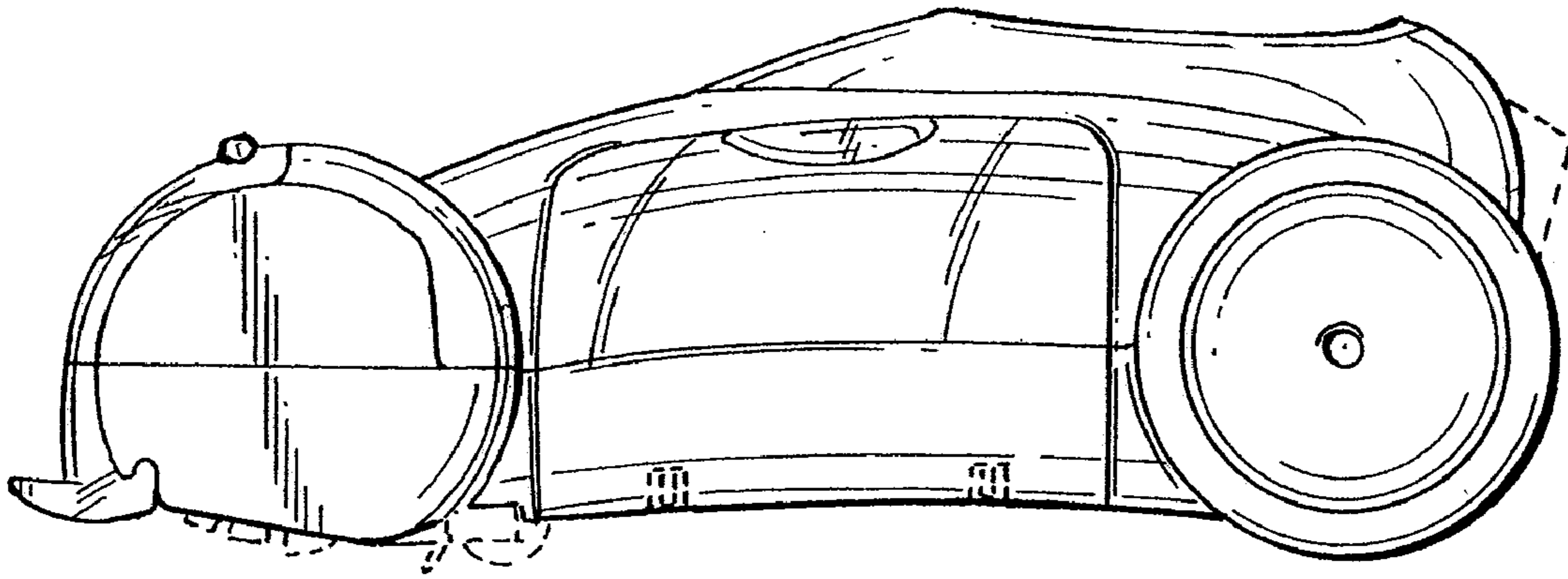


FIG. 14

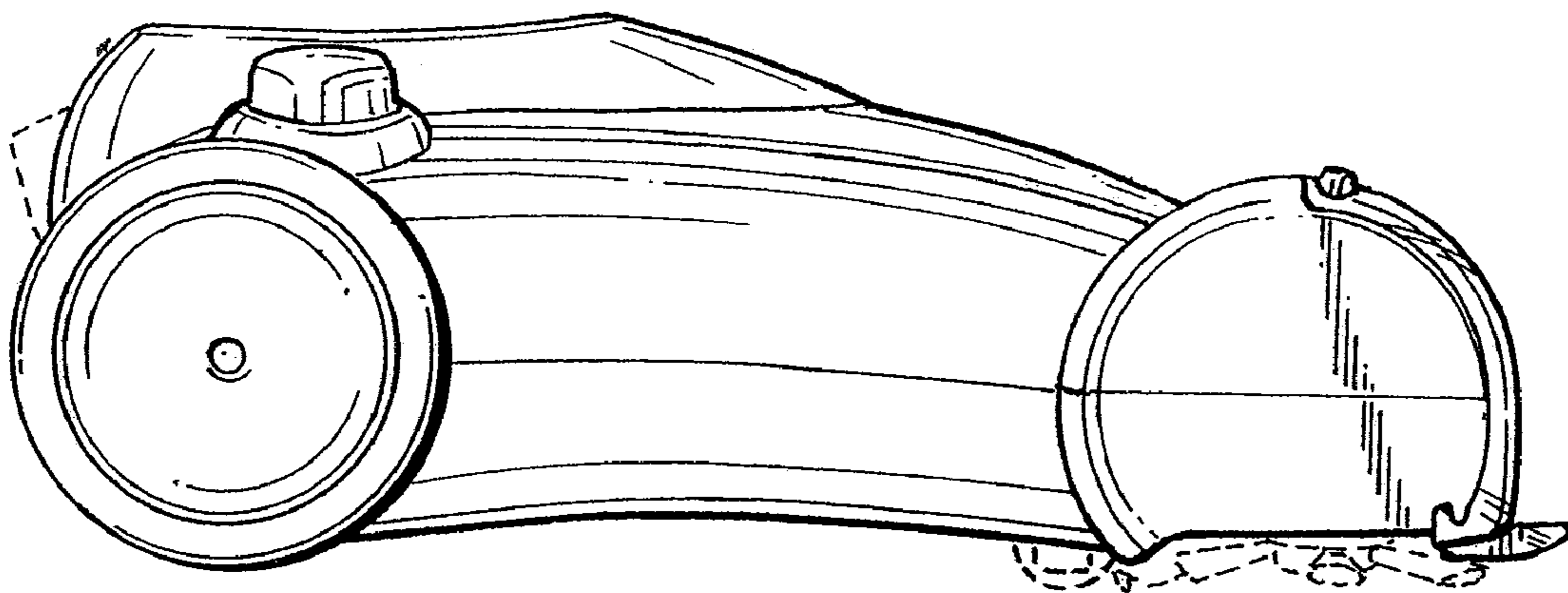


FIG. 15