



US00D577164S

(12) **United States Design Patent**  
**Williams et al.**

(10) **Patent No.:** **US D577,164 S**  
(45) **Date of Patent:** **\*\* Sep. 16, 2008**

(54) **COMBINED WET AND DRY VACUUM APPLIANCE**

(75) Inventors: **Matthew A. Williams**, Bridgeton, MO (US); **Kiyo Hoshino**, Chesterfield, MO (US)

(73) Assignee: **Emerson Electric Co.**, St. Louis, MO (US)

(\*\*) Term: **14 Years**

(21) Appl. No.: **29/295,582**

(22) Filed: **Oct. 2, 2007**

(51) **LOC (8) Cl.** ..... **15-05**

(52) **U.S. Cl.** ..... **D32/21**

(58) **Field of Classification Search** ..... D32/21-24, D32/31, 34, 16, 30; 15/320-321, 323, 327.1-327.7, 15/329, 335, 340.2, 351, 353, 361, 410-412, 15/246.2, 246.5, DIG. 10, 347, 350; 285/7; 55/DIG. 3, 345, 337, 459.1, 418, 471, 318, 55/429; 95/271

See application file for complete search history.

(56) **References Cited**

**U.S. PATENT DOCUMENTS**

D318,544 S	7/1991	Schoetler	
D325,453 S *	4/1992	Tsuge	D32/21
D381,481 S *	7/1997	Medema et al.	D32/31
D386,642 S	11/1997	Hoshino et al.	
D418,643 S	1/2000	Hoshino	
D423,154 S	4/2000	Rohn et al.	
6,101,669 A	8/2000	Martin et al.	
D435,322 S *	12/2000	DeBlasis et al.	D32/21
D443,119 S	5/2001	Sung	
D467,693 S *	12/2002	Kitts	D32/21
D477,443 S	7/2003	Kondo et al.	
D481,839 S	11/2003	Almqvist et al.	

D496,764 S *	9/2004	Lopano	D32/21
D506,042 S	6/2005	Griffin et al.	
D528,256 S	8/2006	Beth et al.	
D537,992 S	3/2007	Hoshino	
D549,903 S	8/2007	Eccardt	
D549,904 S *	8/2007	Eccardt et al.	D32/21
D558,410 S	12/2007	Hill et al.	
D564,154 S *	3/2008	Hollis et al.	D32/21

\* cited by examiner

*Primary Examiner*—Ruth McInroy

(74) *Attorney, Agent, or Firm*—Locke Lord Bissell & Liddell LLP

(57) **CLAIM**

The ornamental design for a combined wet and dry vacuum appliance, as shown and described.

**DESCRIPTION**

FIG. 1 is an isometric perspective view of the combined wet and dry vacuum appliance;

FIG. 2 is a front elevational view of the combined wet and dry vacuum appliance;

FIG. 3 is a back elevational view of the combined wet and dry vacuum appliance;

FIG. 4 is a side view of the combined wet and dry vacuum appliance;

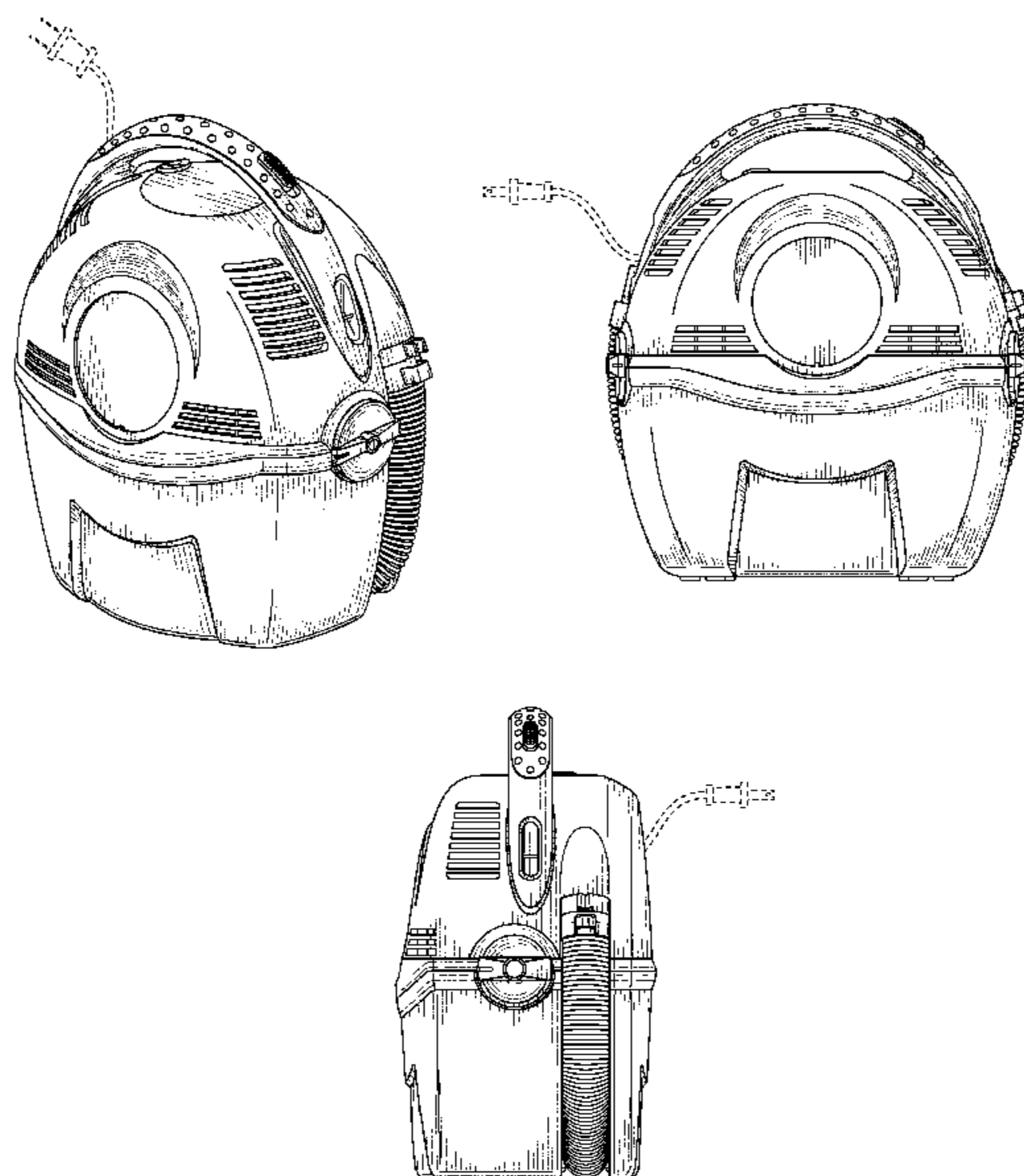
FIG. 5 is a side view of the combined wet and dry vacuum appliance, showing the side opposite that shown in FIG. 4;

FIG. 6 is a top plan view of the combined wet and dry vacuum appliance; and,

FIG. 7 is a bottom plan view of the combined wet and dry vacuum appliance.

The broken lines in FIGS. 1-7 are for illustrative purposes only and form no part of the claimed design.

**1 Claim, 5 Drawing Sheets**



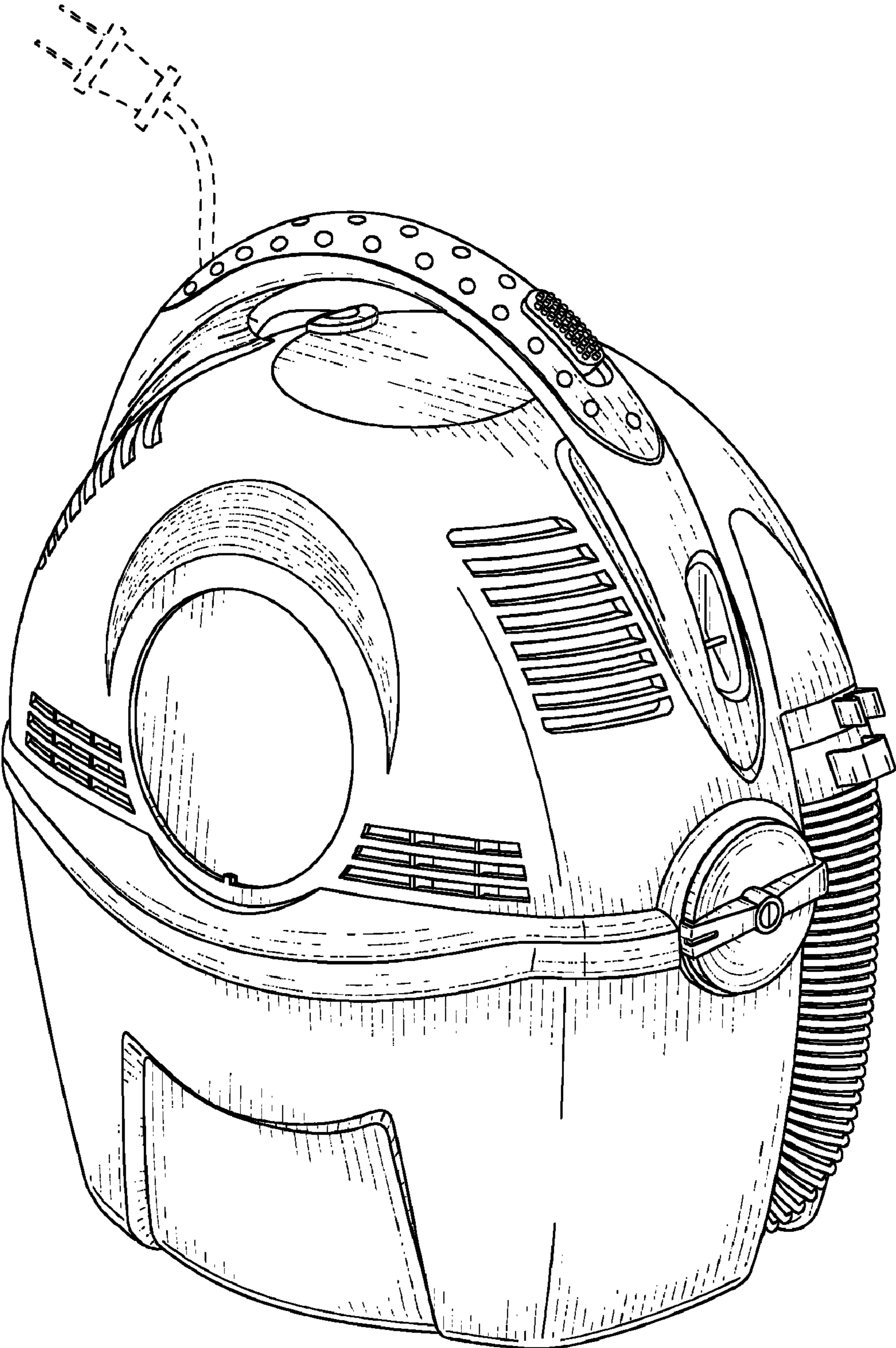


FIG. 1

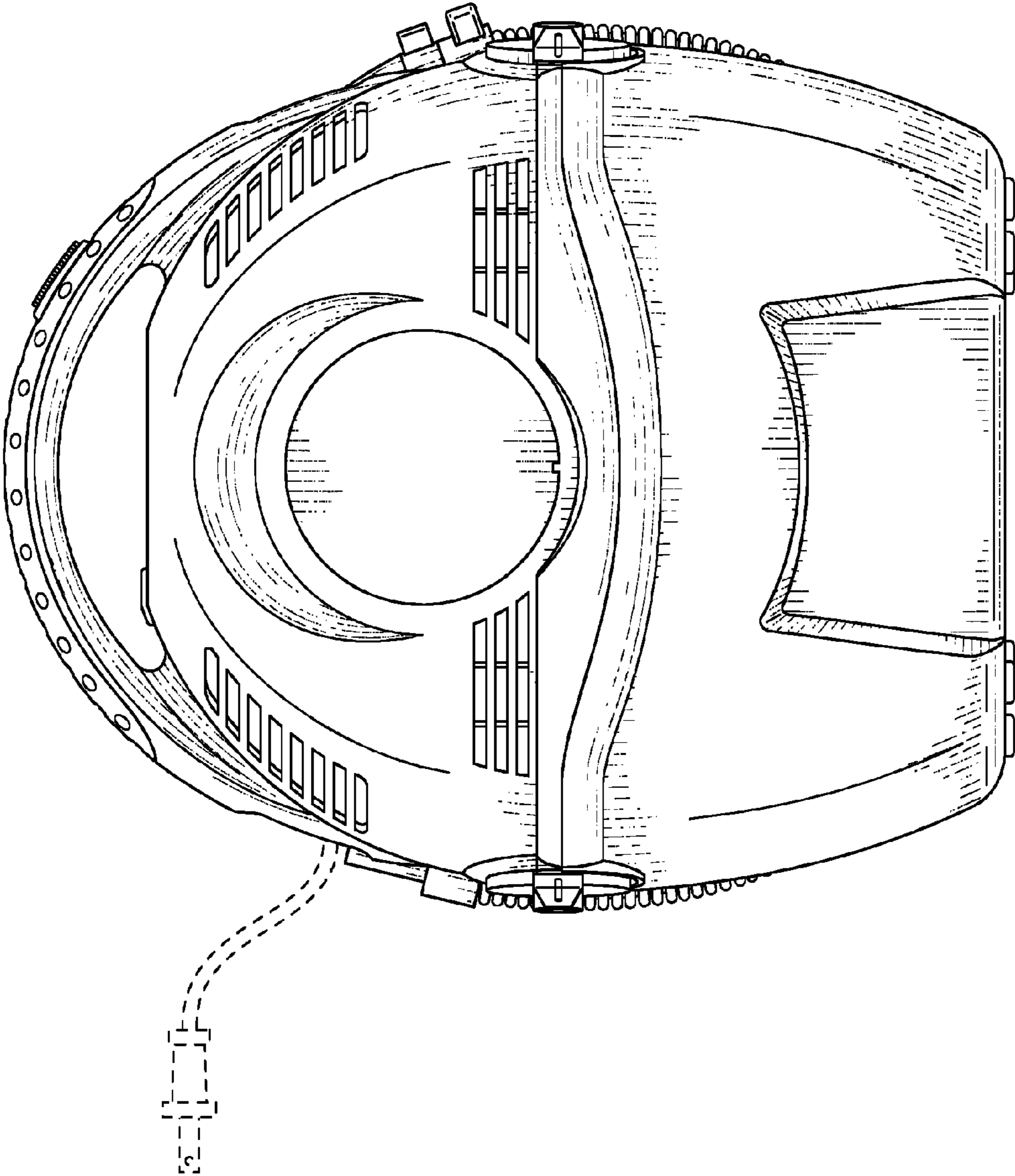


FIG. 2

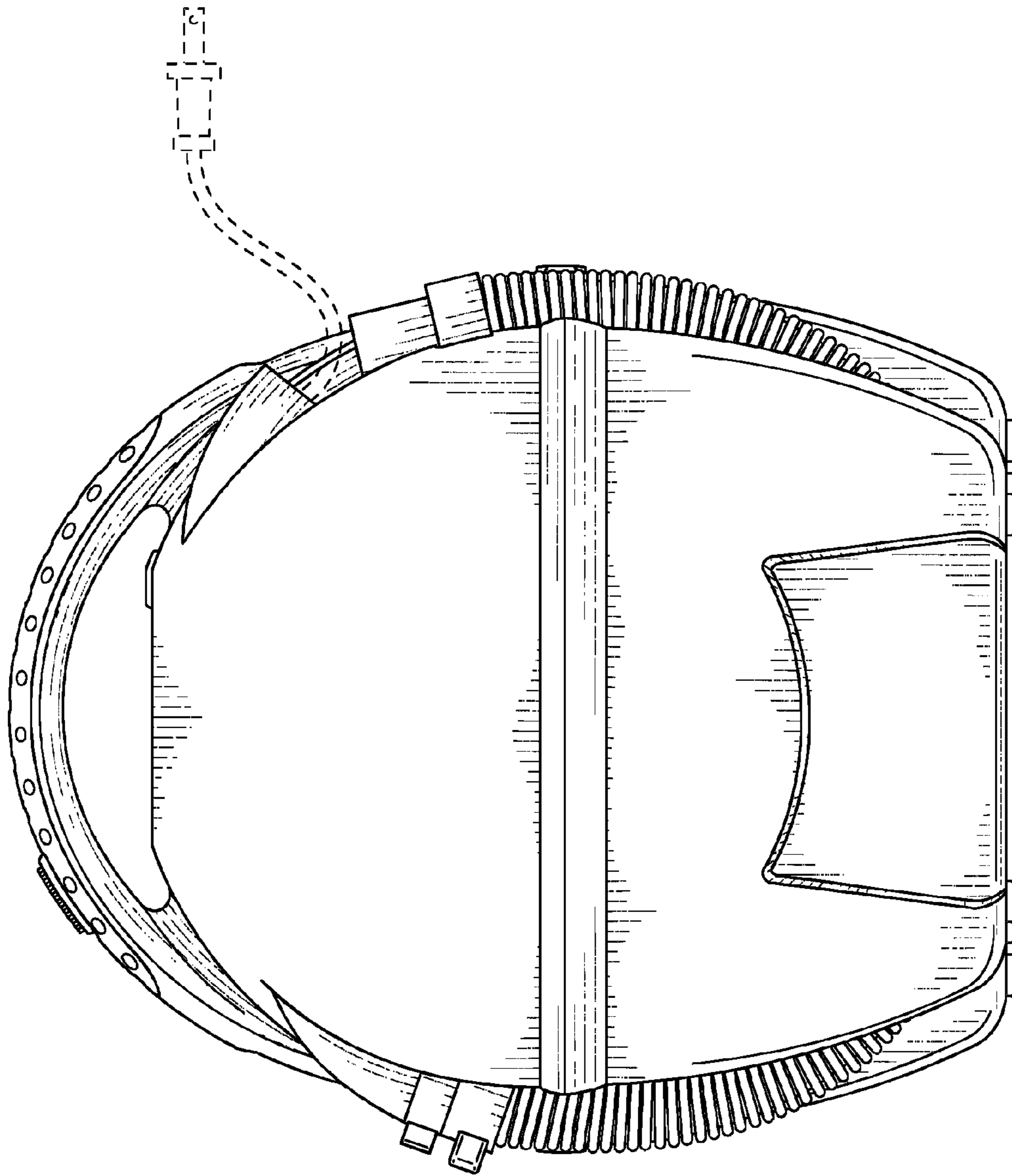


FIG. 3

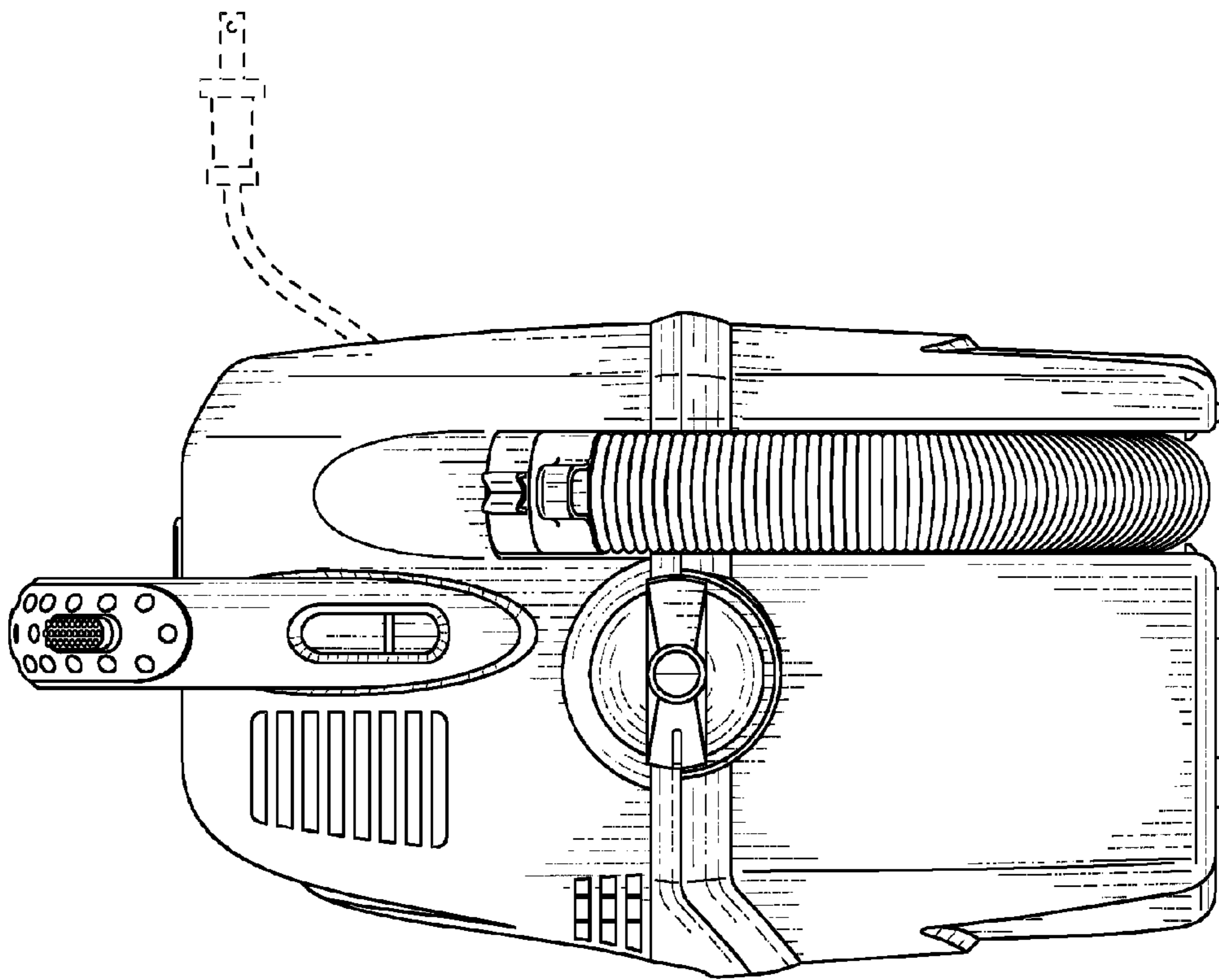


FIG. 5

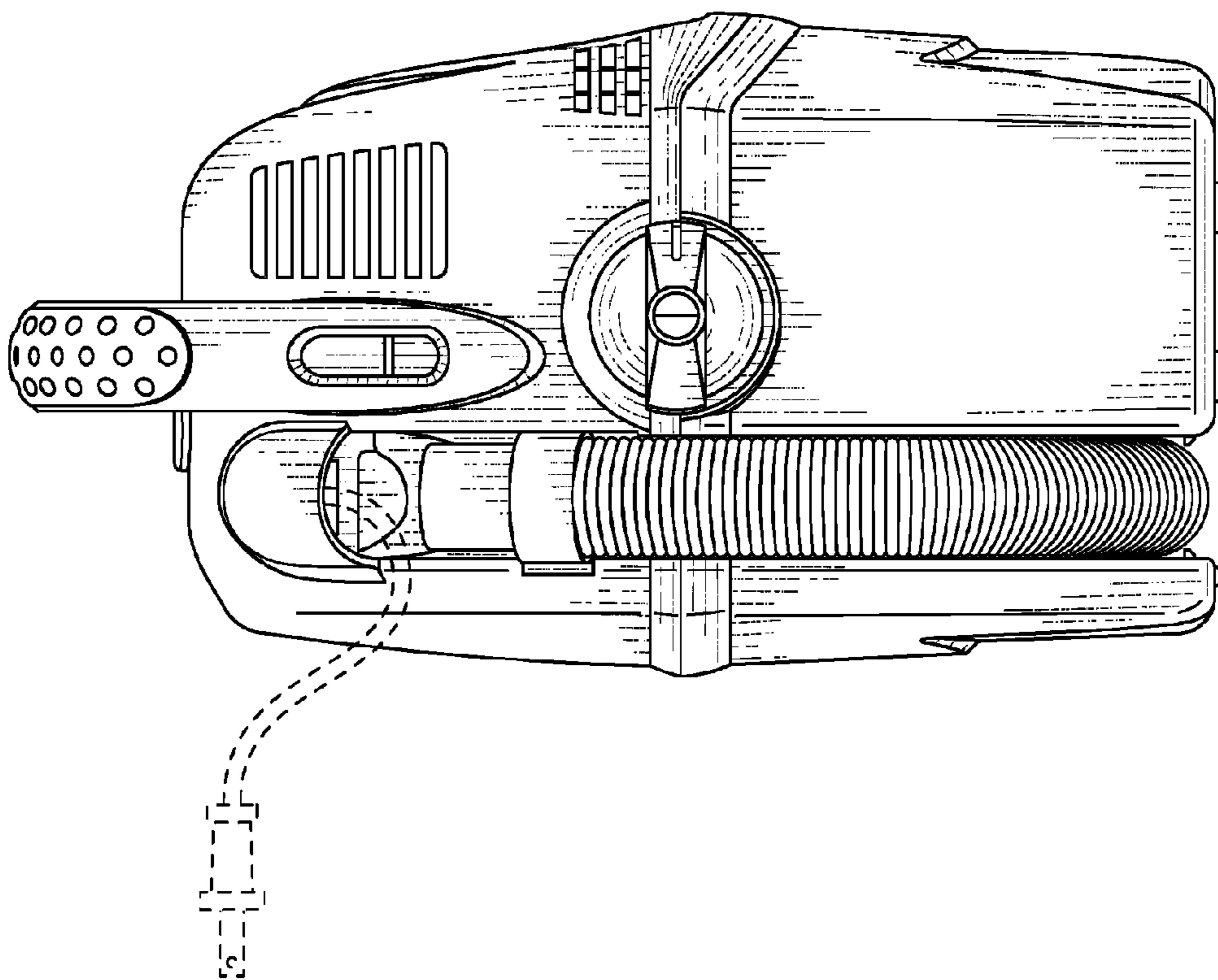


FIG. 4

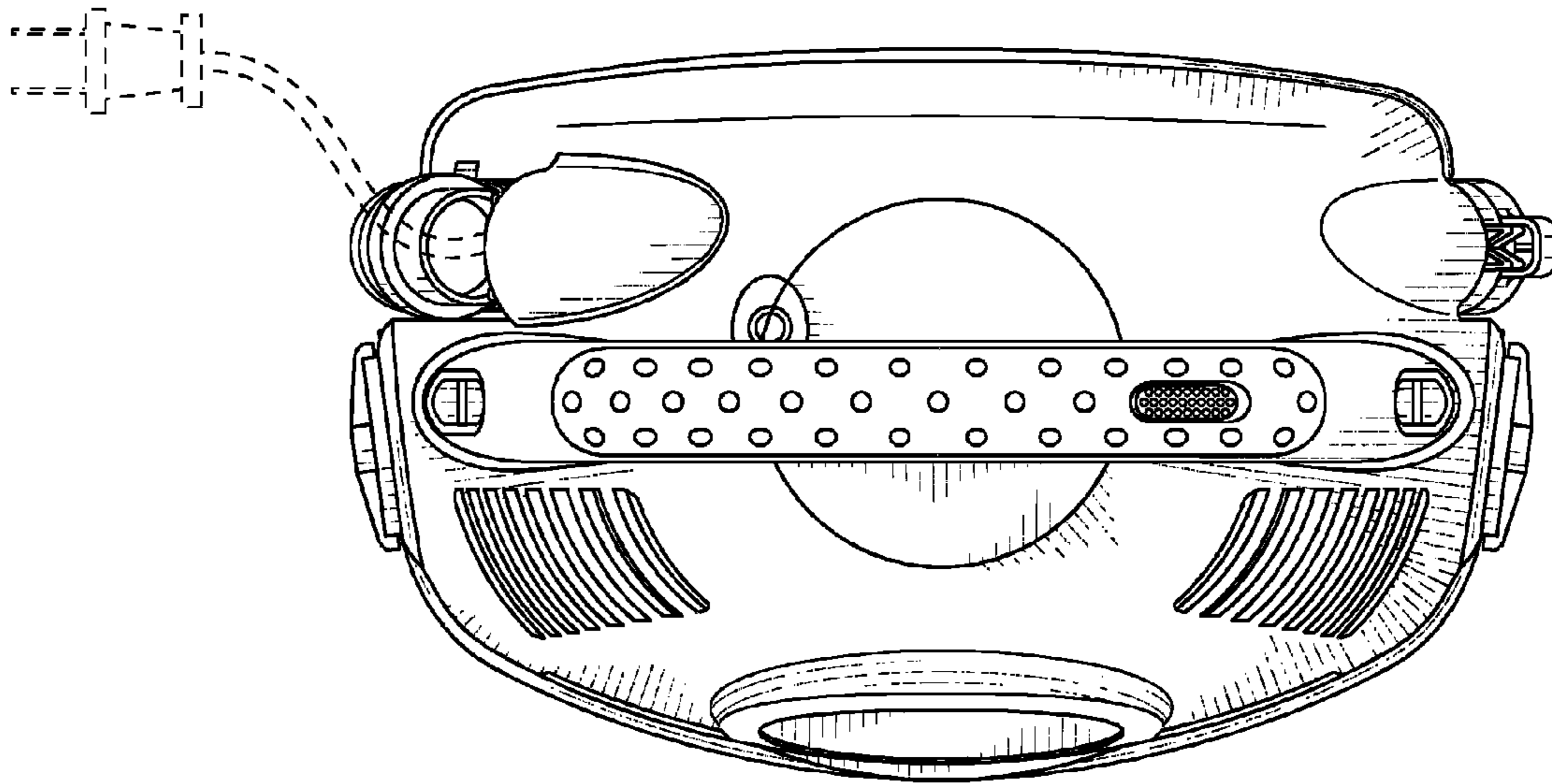


FIG. 6

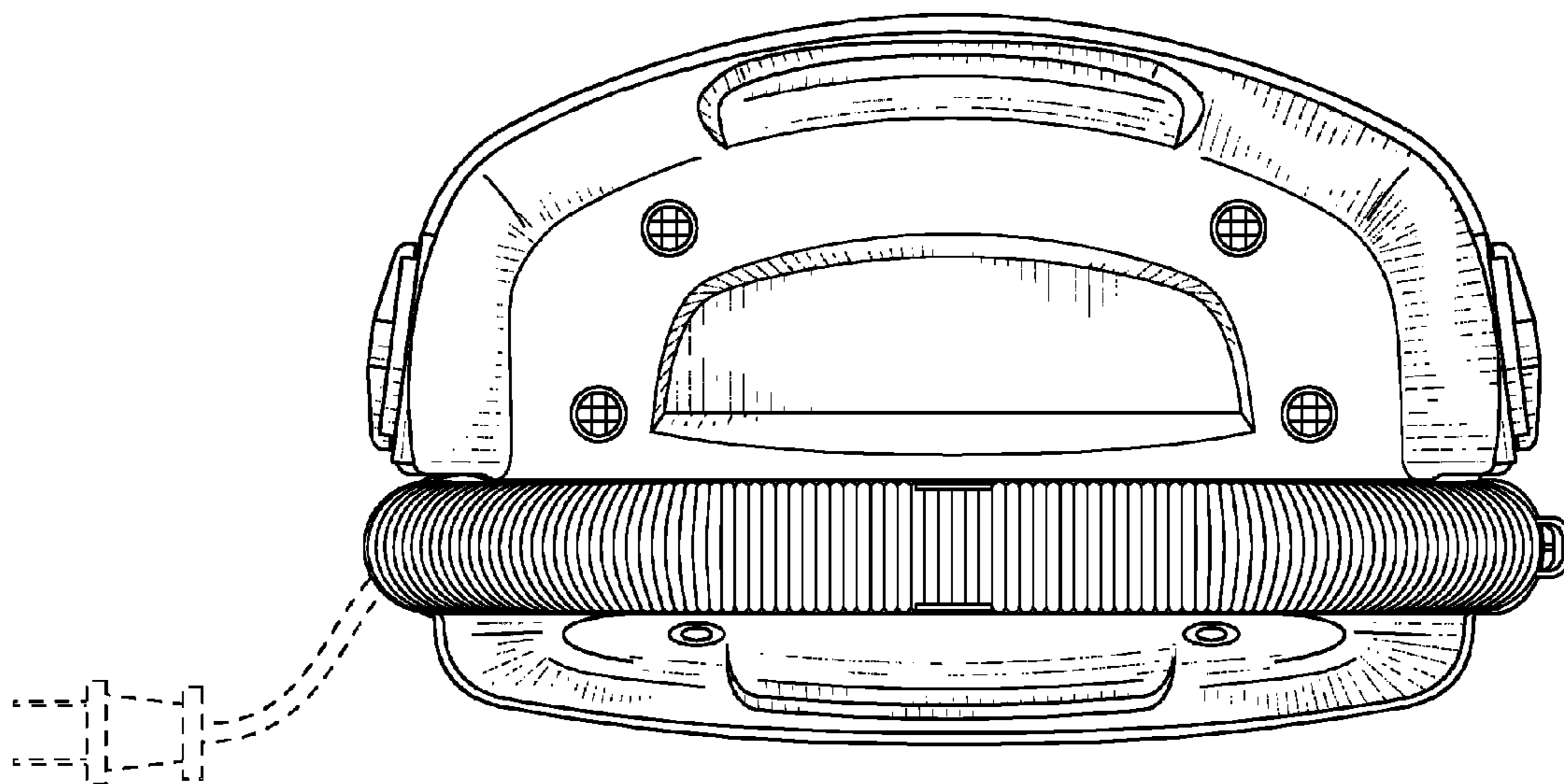


FIG. 7