



US00D577160S

(12) **United States Design Patent**
Simon

(10) **Patent No.:** **US D577,160 S**

(45) **Date of Patent:** **** Sep. 16, 2008**

(54) **COMBINED SHEDDING BLADE AND SLICKER BRUSH**

(75) Inventor: **Allen Simon**, New York, NY (US)

(73) Assignee: **Four Paws Products, Ltd.**, Hauppauge, NY (US)

(**) Term: **14 Years**

(21) Appl. No.: **29/262,198**

(22) Filed: **Jun. 27, 2006**

(51) **LOC (8) Cl.** **30-99**

(52) **U.S. Cl.** **D30/158**

(58) **Field of Classification Search** D30/158-159, D30/199; 119/600, 601, 604-606, 611-619, 119/625, 628-633; D4/132-138, 100-102, D4/122, 127, 119, 114, 199; D8/106, 107, D8/13, 45; 401/28; 132/119-121, 152, 154, 132/147-150, 108-110, 112-115; D28/31, D28/63, 30, 25; 15/50.1-50.3, 55, 57, 71, 15/77, 79.1, 104.002, 105-106, 143.1, 159.1, 15/160, 186-188, 169; 56/400.01, 400.17, 56/400.21; 81/177.7, 489, 177.1, 436-440; 16/426, 421, 422; 30/353

See application file for complete search history.

(56) **References Cited**

U.S. PATENT DOCUMENTS

665,172	A *	1/1901	Carden	119/617
1,127,486	A *	2/1915	Midgley	19/98
D361,894	S *	9/1995	Hoagland	D4/138
6,006,393	A *	12/1999	Lynch et al.	15/144.1
D470,981	S *	2/2003	Simon	D30/158
6,681,775	B2 *	1/2004	Wang	132/119
D502,001	S *	2/2005	Hay	D4/118

FOREIGN PATENT DOCUMENTS

JP 2004194825 * 7/2004

OTHER PUBLICATIONS

“Grooming Tools” section, Care-a-Lot Pet Supply Catalogue, Oct. 2003, p. 62.*

“Grooming Tools” section, Drs Foster and Smith catalogue, Nov. 2002, p. 105.*

“Grooming Tools” section, Jeffers Pet Catalogue, 2002, pp. 84, 85.*

“Grooming Tools” section, Care-a-Lot Pet Supply Catalogue, 2002, p. 62.*

* cited by examiner

Primary Examiner—Melanie Tung

Assistant Examiner—Susan Moon Lee

(74) *Attorney, Agent, or Firm*—Darby & Darby

(57) **CLAIM**

The ornamental design for a combined shedding blade and slicker brush, as shown and described.

DESCRIPTION

FIG. 1 is a perspective view showing the ornamental design of my new combined shedding blade and slicker brush;

FIG. 2 is a front view of the combined shedding blade and slicker brush, the bristles of the brush being shown in phantom;

FIG. 3 is a side view of the combined shedding blade and slicker brush, the opposite side view being a mirror image thereof;

FIG. 4 is a rear view of the combined shedding blade and slicker brush;

FIG. 5 is a top plan view of the combined shedding blade and slicker brush; and,

FIG. 6 is a bottom view of the combined shedding blade and slicker brush.

The portions shown in broken line are for illustrative purposes only and form no part of the claimed design.

1 Claim, 3 Drawing Sheets

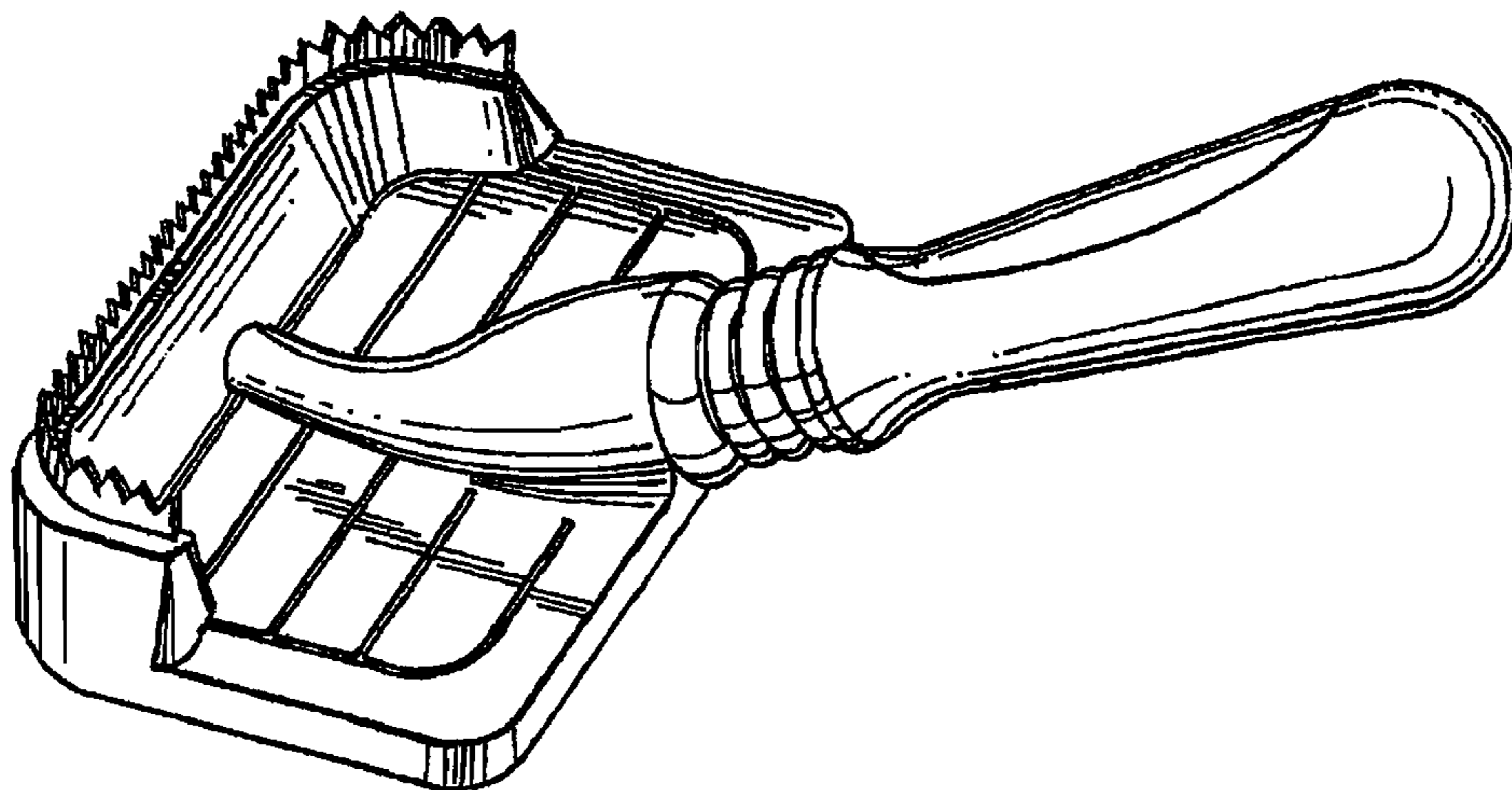


FIG. 1

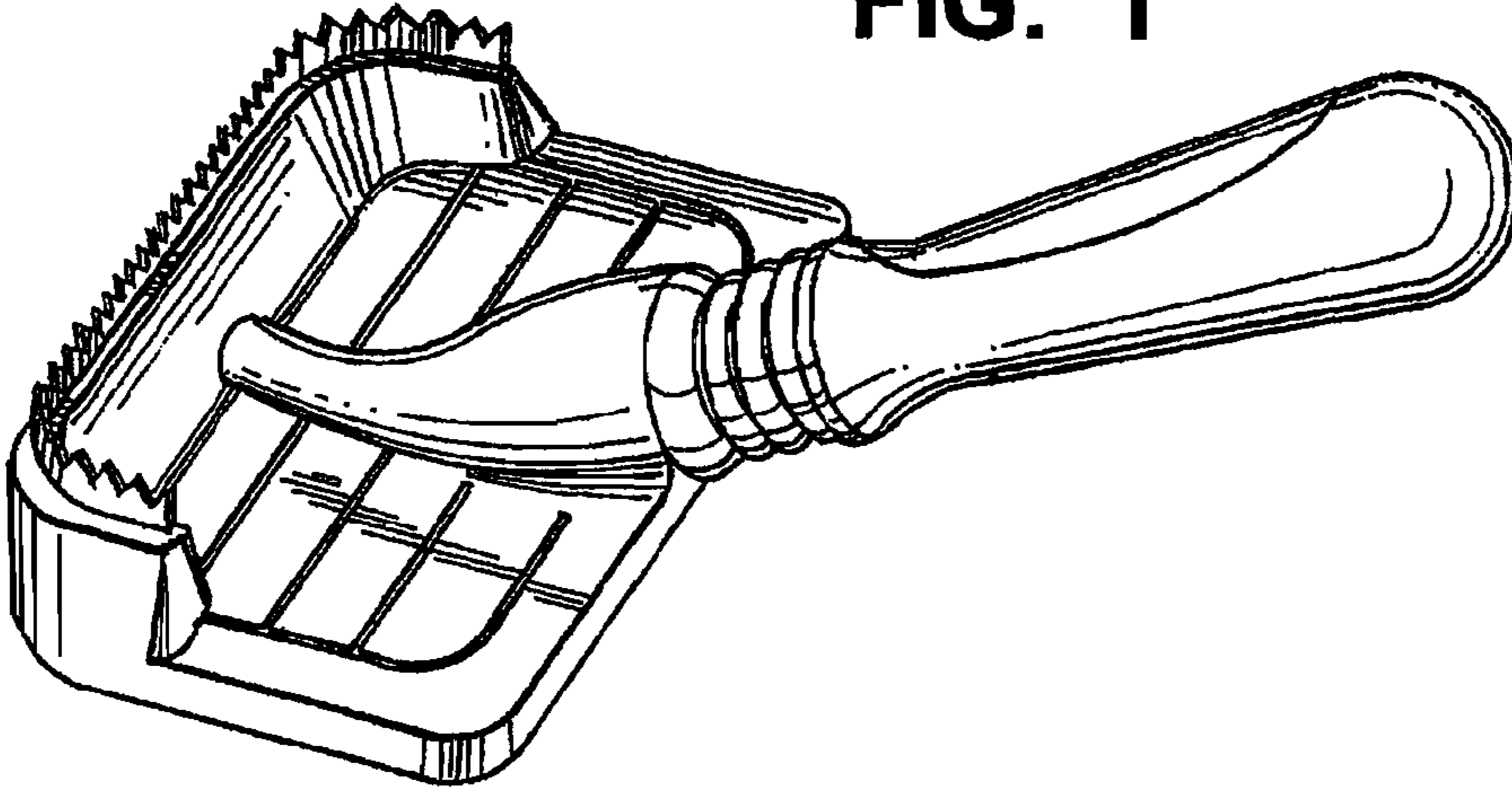


FIG. 2

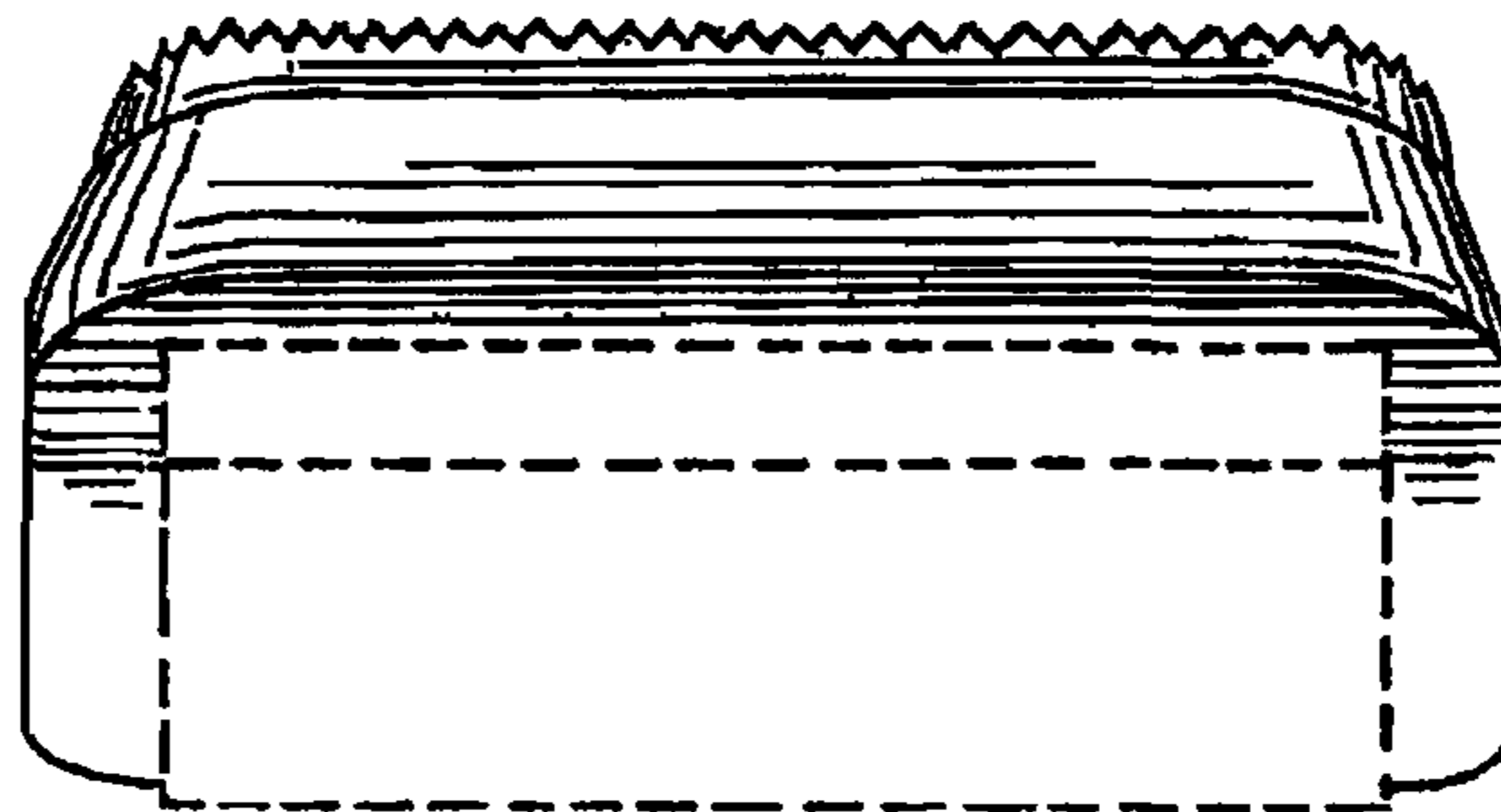


FIG. 4

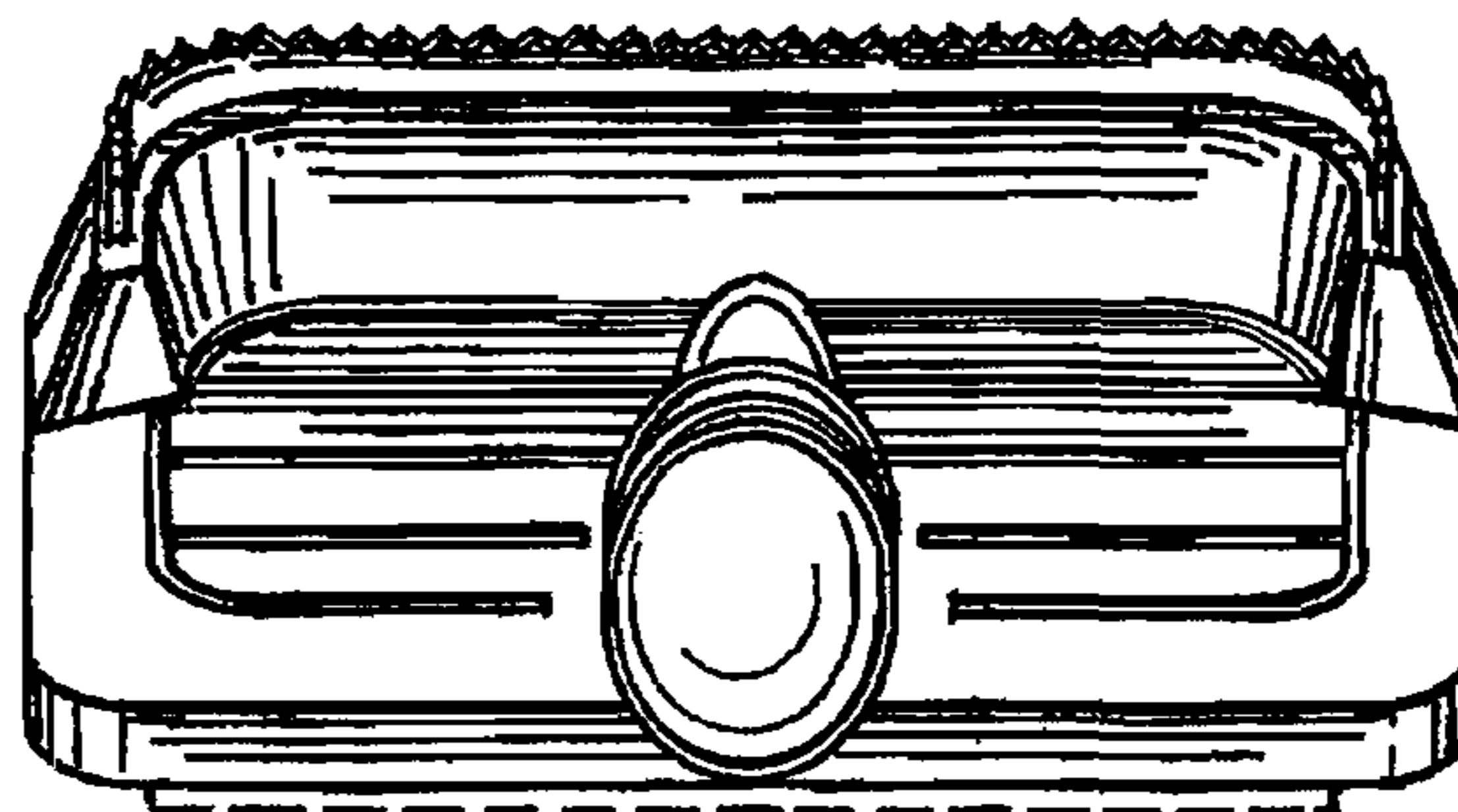


FIG. 3

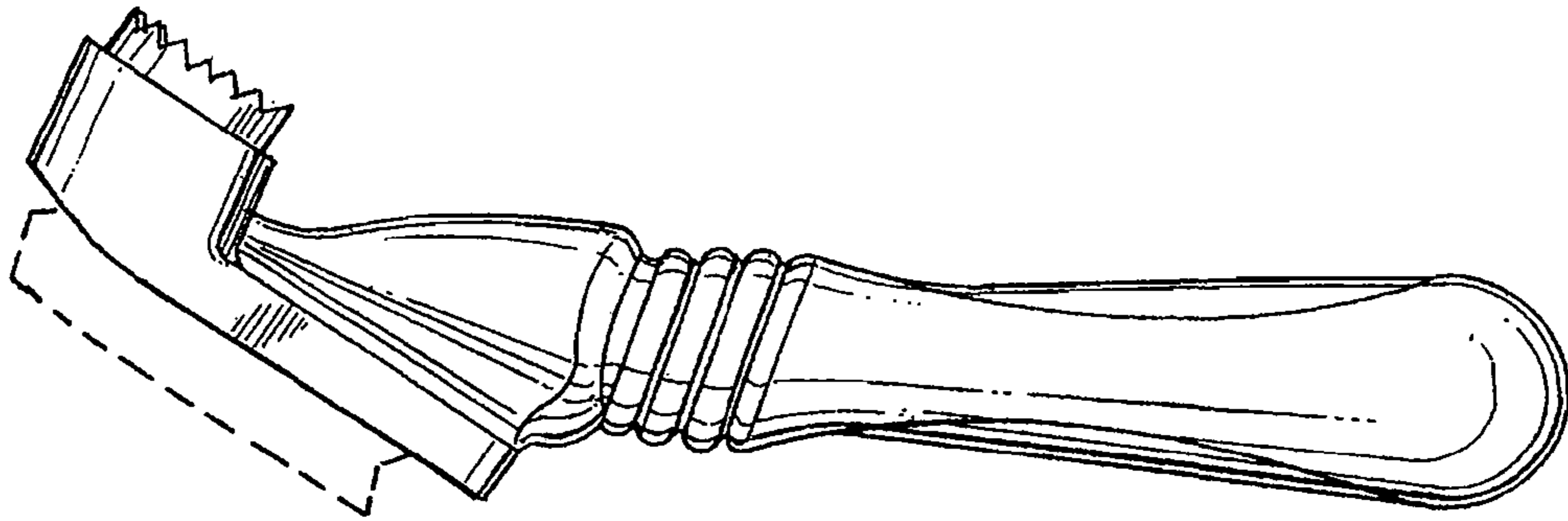


FIG. 5

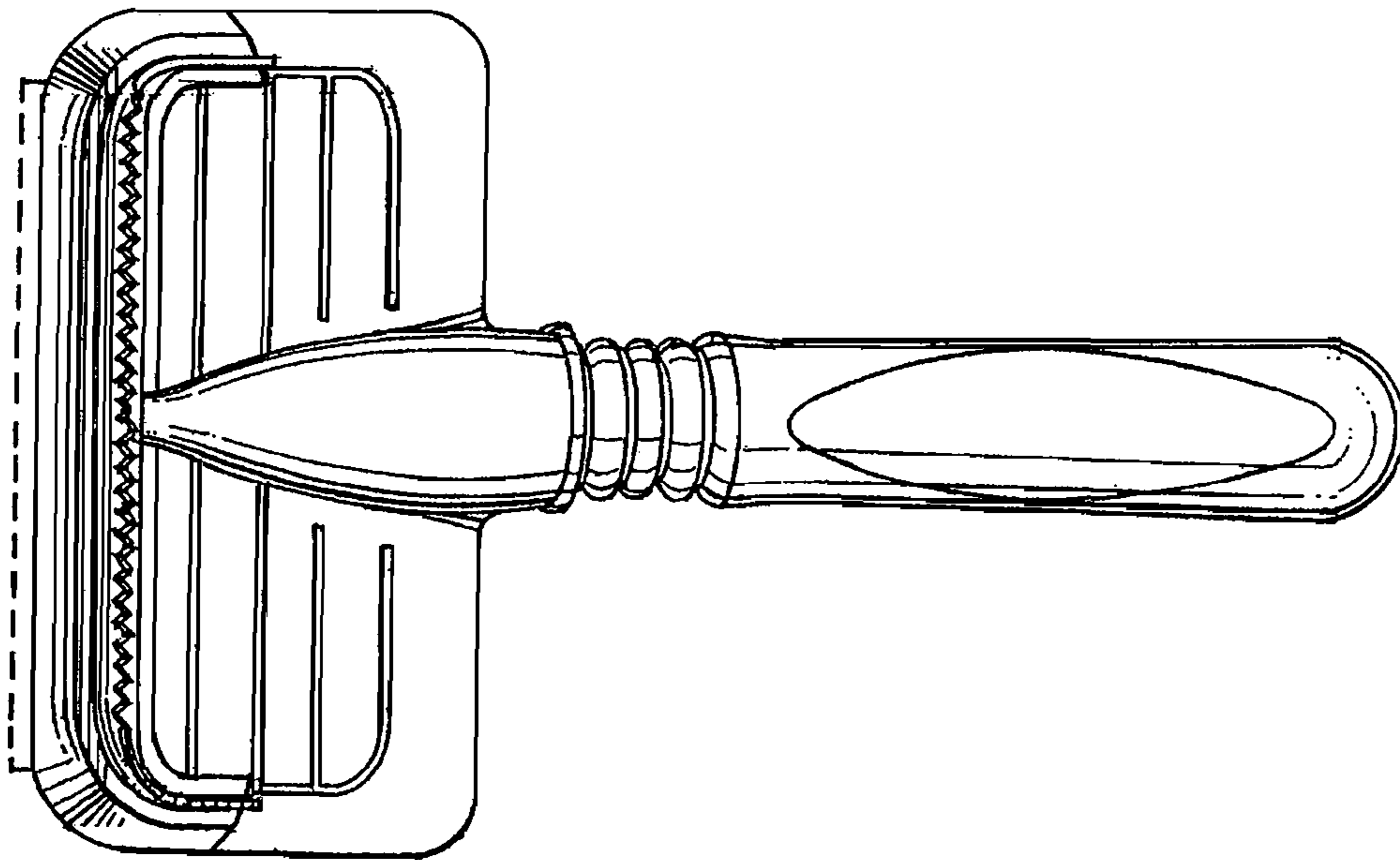


FIG. 6

