



US00D577157S

(12) **United States Design Patent**
Kouchi et al.

(10) **Patent No.:** **US D577,157 S**
(45) **Date of Patent:** **** Sep. 16, 2008**

(54) **HEAD-UP DISPLAY FOR MOTORCYCLES**

(75) Inventors: **Kaoru Kouchi**, Hyogo (JP); **Motoaki Kanou**, Hyogo (JP); **Ai Watabe**, Hyogo (JP)

(73) Assignee: **Kawasaki Jukogyo Kabushiki Kaisha**, Kobe-shi (JP)

(**) Term: **14 Years**

(21) Appl. No.: **29/292,472**

(22) Filed: **Oct. 12, 2007**

(30) **Foreign Application Priority Data**

Apr. 13, 2007 (JP) 2007-009954

(51) **LOC (8) Cl.** **07-02**

(52) **U.S. Cl.** **D29/122**

(58) **Field of Classification Search** D29/102-107,
D29/122; 2/410-412, 414, 416-425, 5, 6.6-6.8,
2/452, DIG. 11, 8.1, 9, 10; 128/201.22, 207.17;
D26/51; 362/105-107

See application file for complete search history.

(56) **References Cited**

U.S. PATENT DOCUMENTS

D296,719 S *	7/1988	Lester	D29/103
D359,145 S *	6/1995	Harrison et al.	D29/102
D360,058 S *	7/1995	Reede	D29/103
D406,400 S *	3/1999	Munns	D29/107
D454,987 S *	3/2002	Hahm	D29/122
6,439,733 B1 *	8/2002	Fischer et al.	362/106

D474,862 S *	5/2003	Perez, Sr.	D29/106
2005/0174753 A1 *	8/2005	Cao et al.	362/106
2007/0097668 A1 *	5/2007	Choi	362/105
2007/0217184 A1 *	9/2007	Berry	362/105

* cited by examiner

Primary Examiner—Ruth McInroy

(74) *Attorney, Agent, or Firm*—Alleman, Hall McCoy Russell & Tuttle LLP

(57) **CLAIM**

The ornamental design for a head-up display for motorcycles, as shown and described.

DESCRIPTION

FIG. 1 is a front view of a head-up display for a motorcycle, according to the present invention.

FIG. 2 is a rear view of the head-up display of FIG. 1.

FIG. 3 is a top view of the head-up display of FIG. 1.

FIG. 4 is a bottom view of the head-up display of FIG. 1.

FIG. 5 is a left side view of the head-up display of FIG. 1.

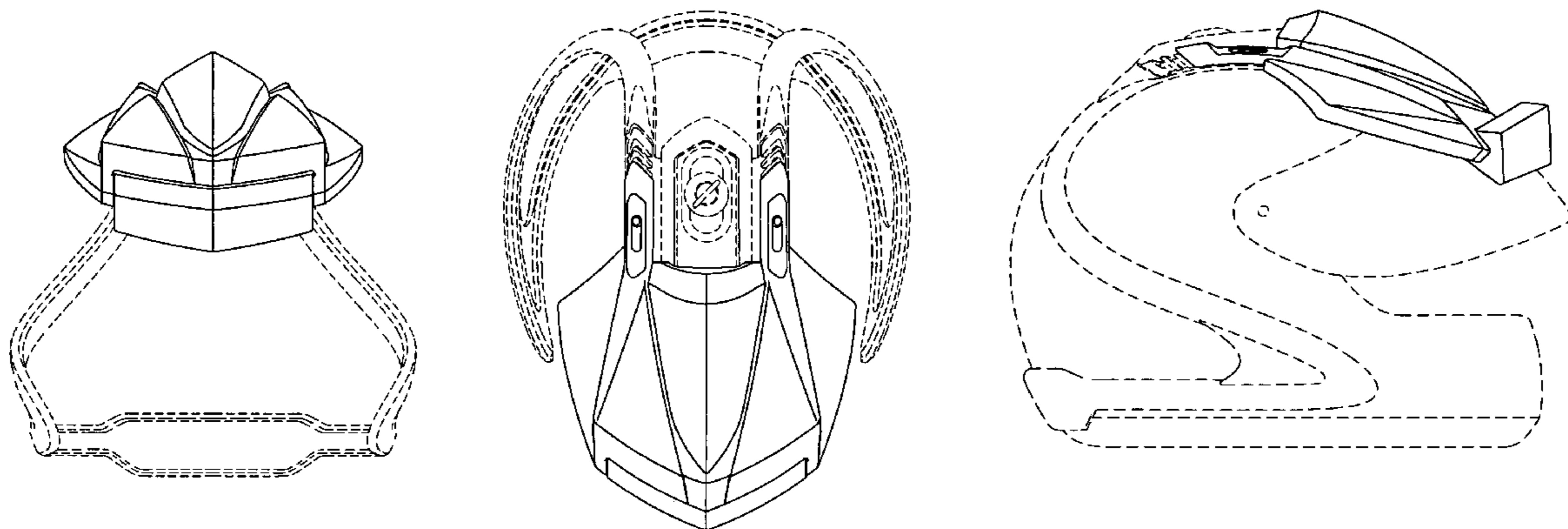
FIG. 6 is a right side view of the head-up display of FIG. 1.

FIG. 7 is a left side view of the head-up display of FIG. 1 in a first orientation in a helmet environment; and,

FIG. 8 is a left side view of the head-up display of FIG. 1 in a second orientation in a helmet environment.

The broken lines are for illustrative purposes only, and form no part of the claimed design.

1 Claim, 4 Drawing Sheets



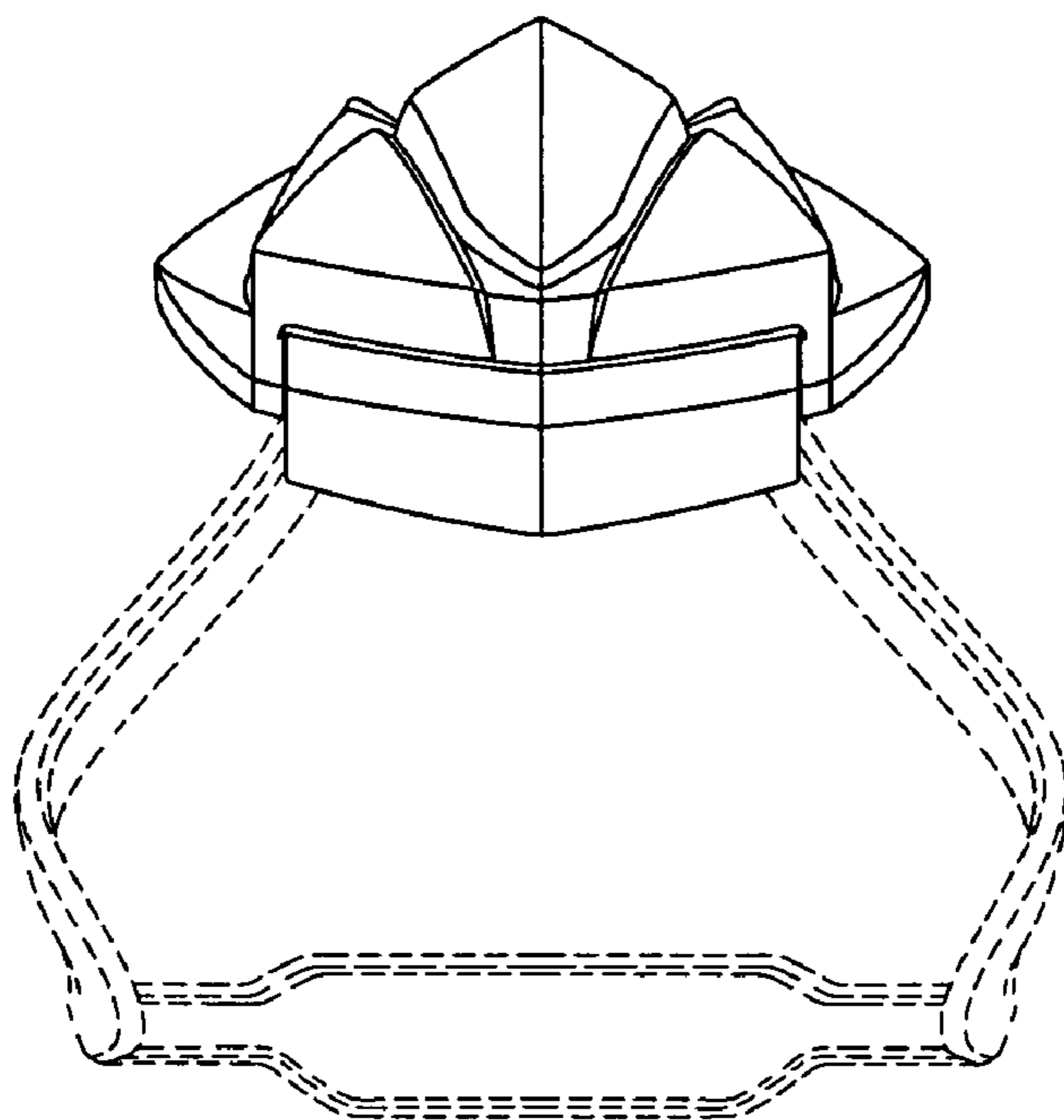


FIG. 1

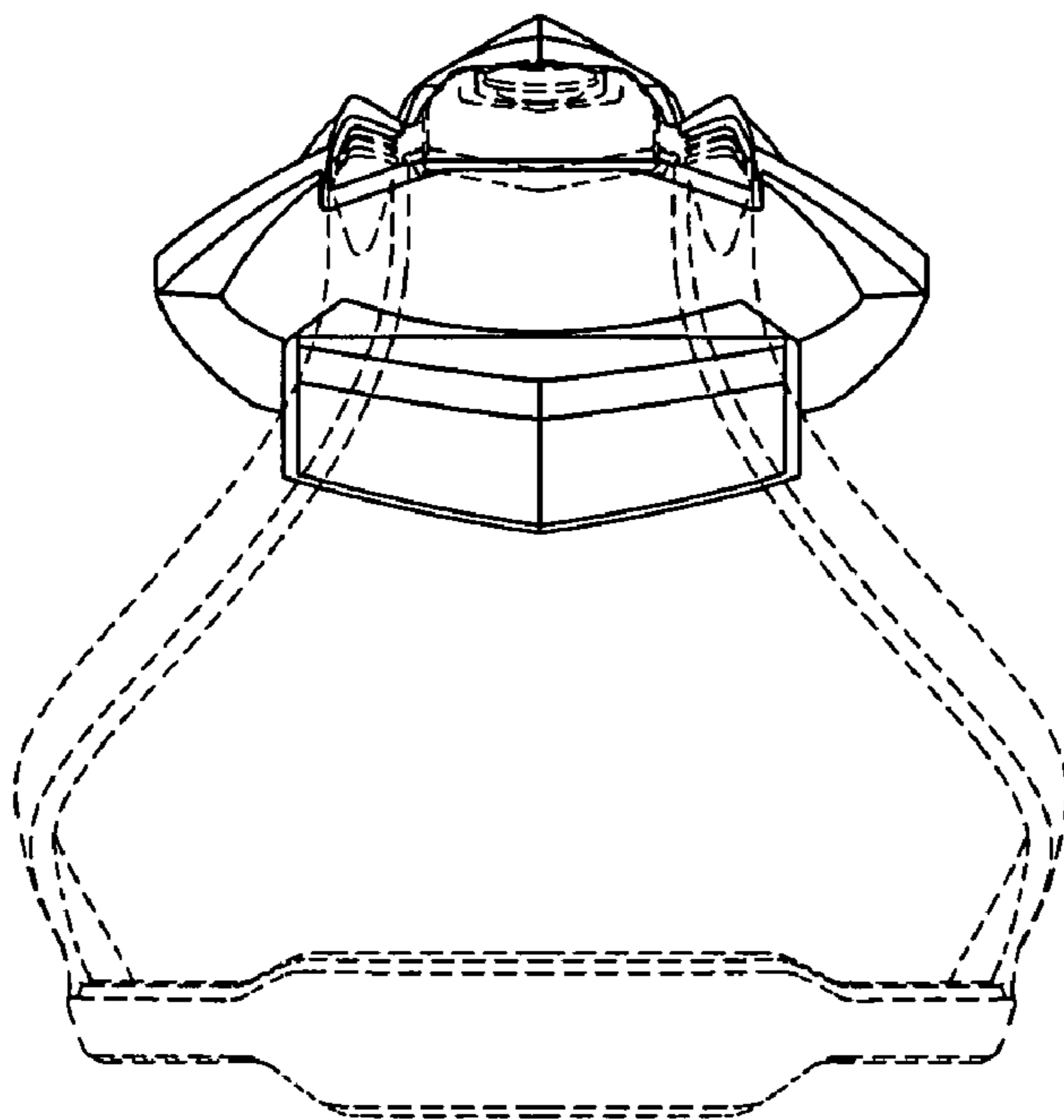


FIG. 2

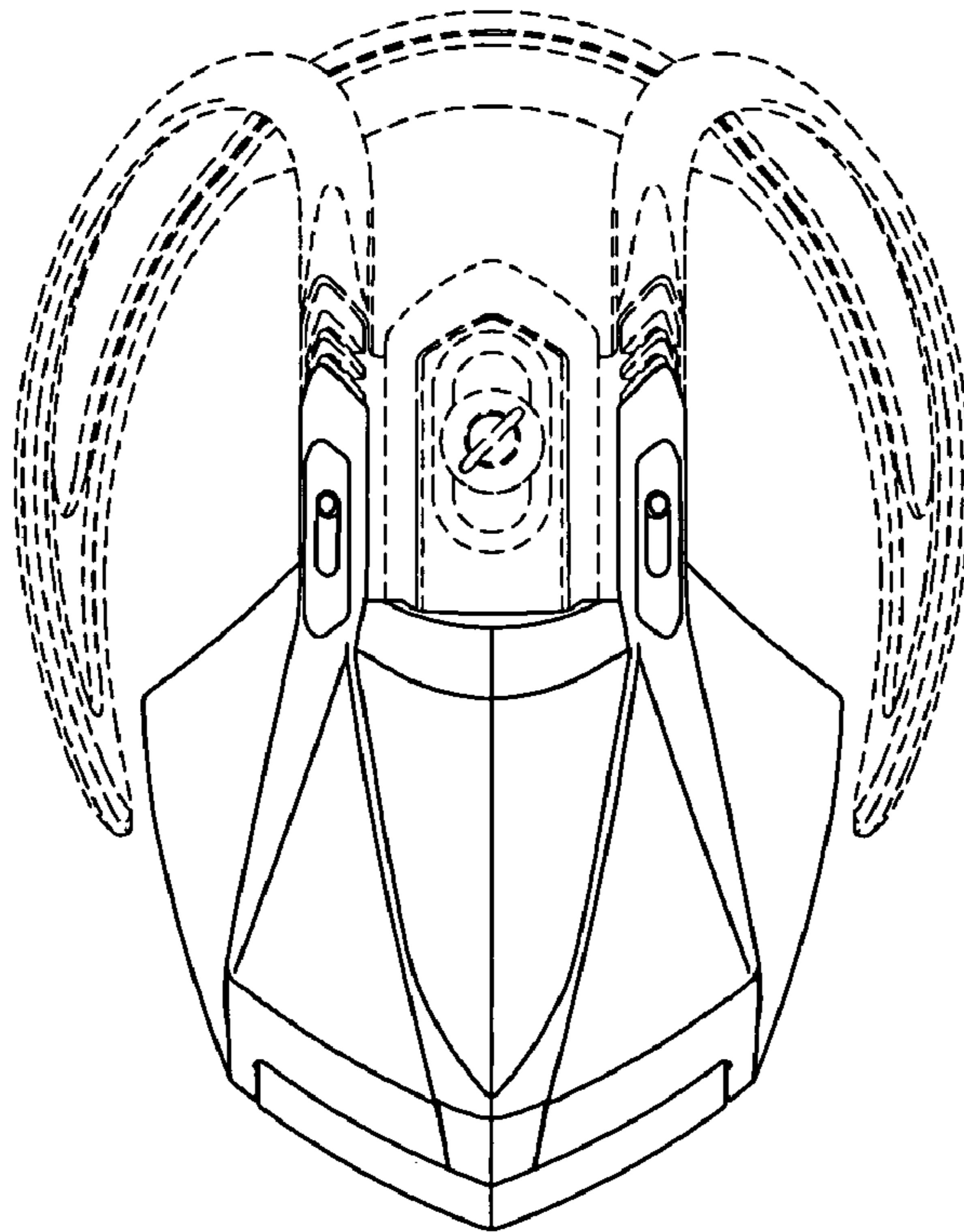


FIG. 3

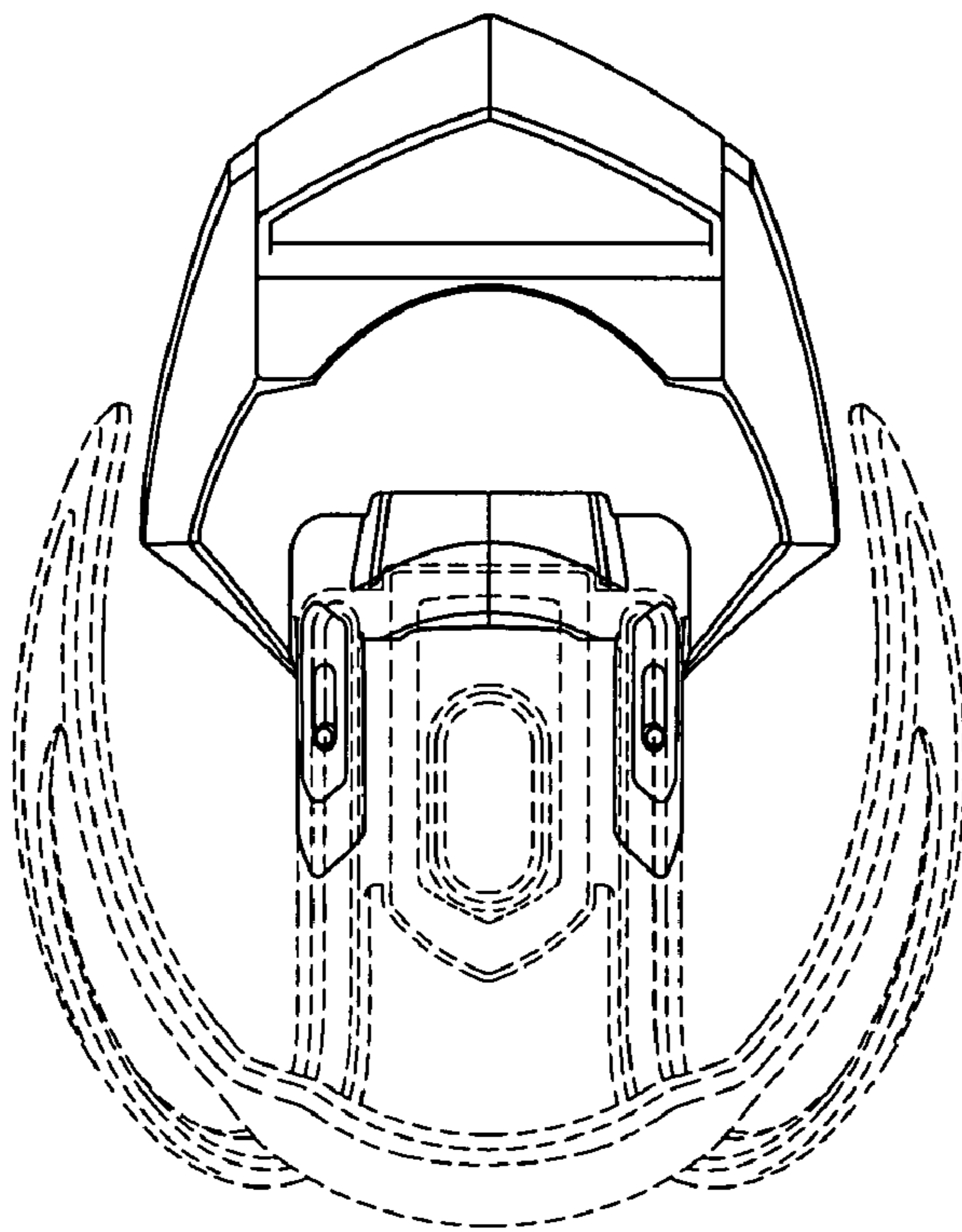


FIG. 4

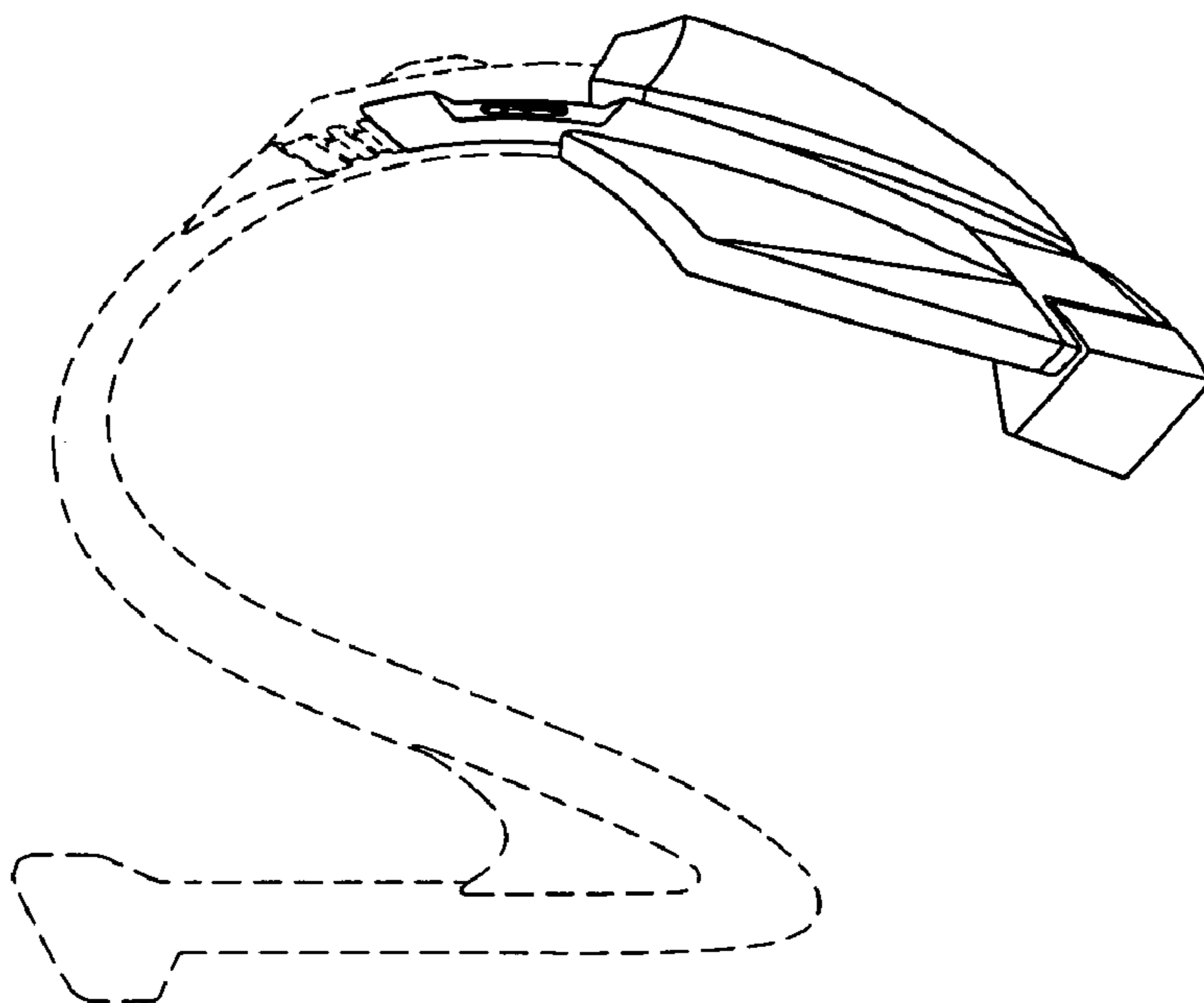


FIG. 5

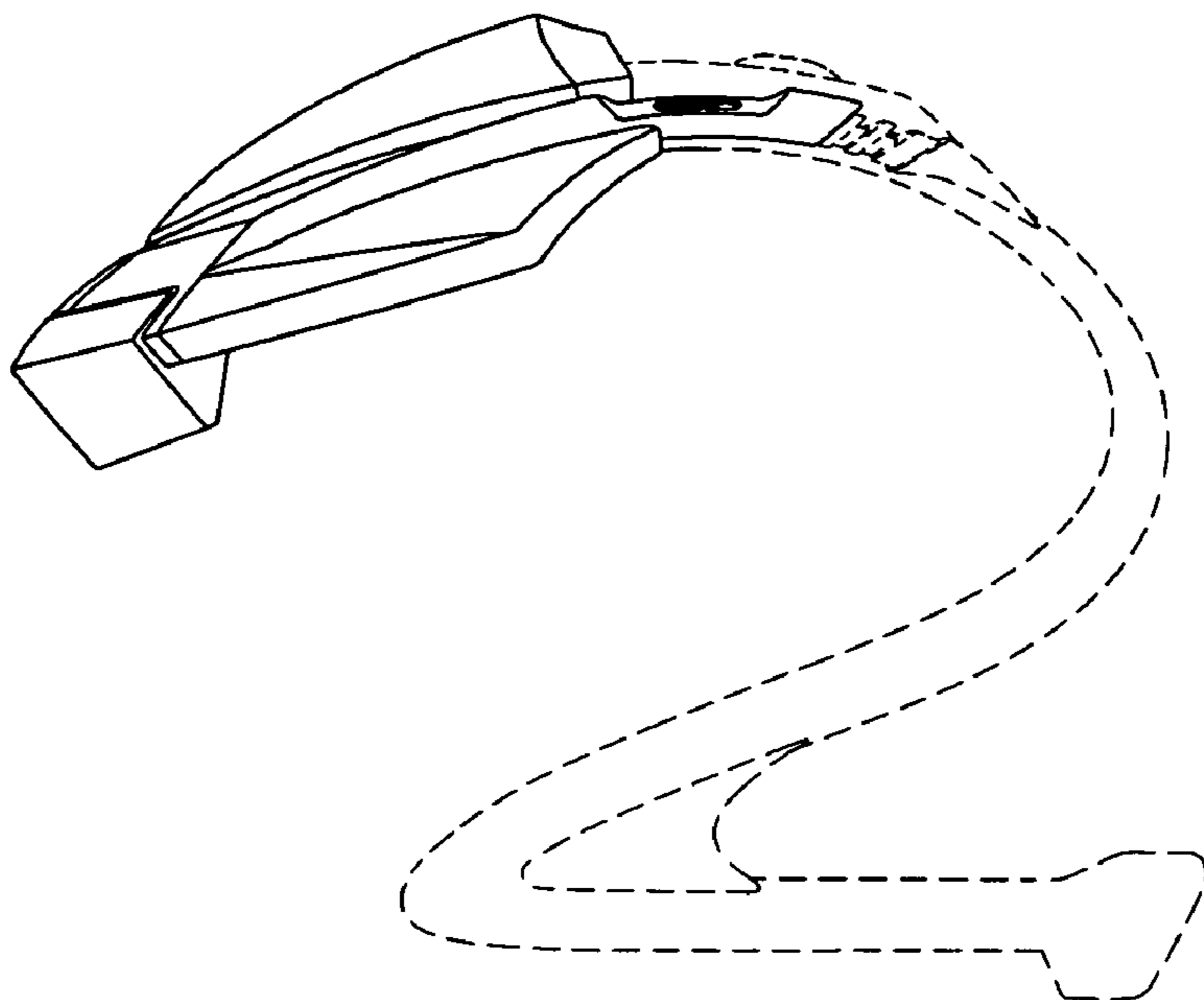


FIG. 6

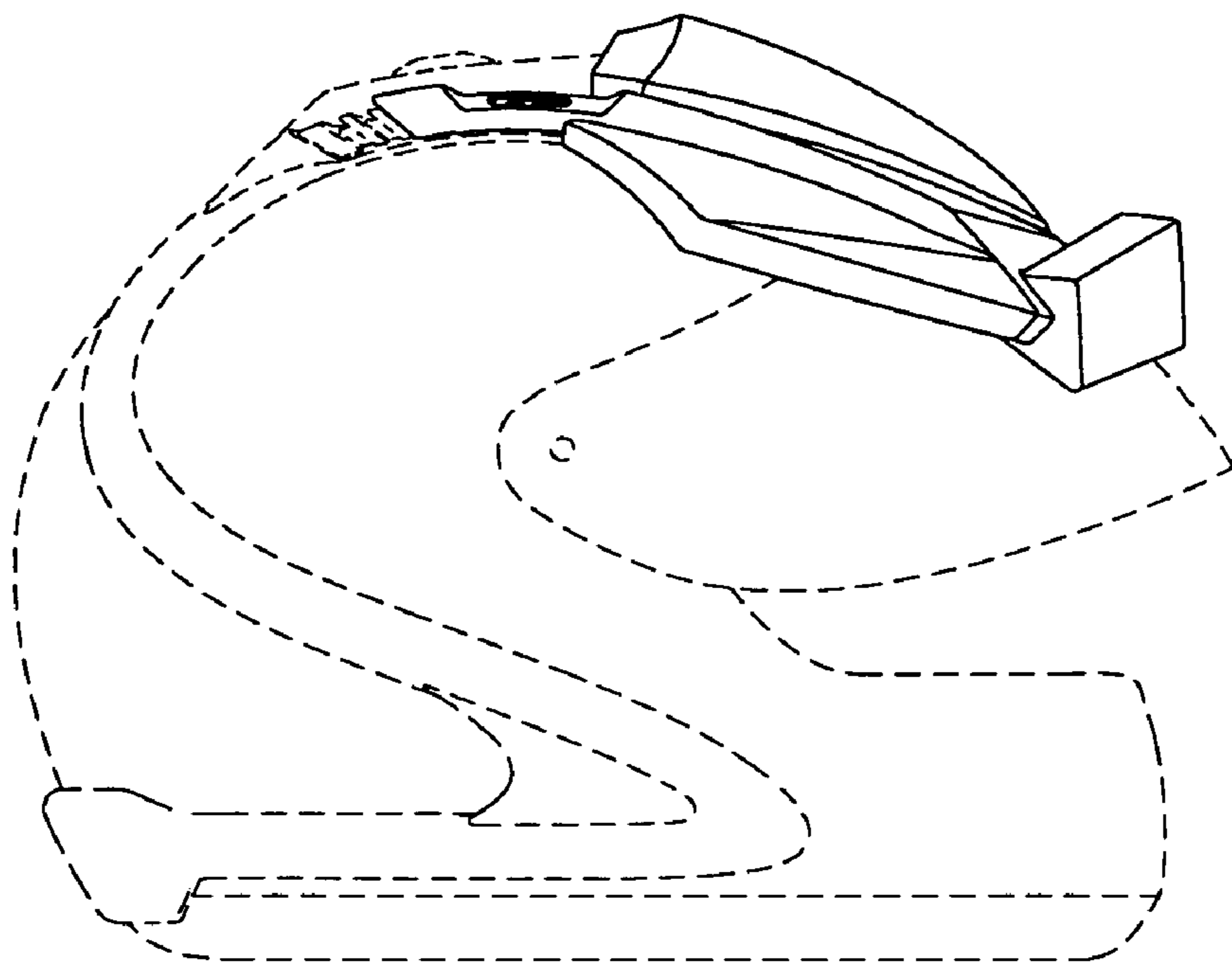


FIG. 7

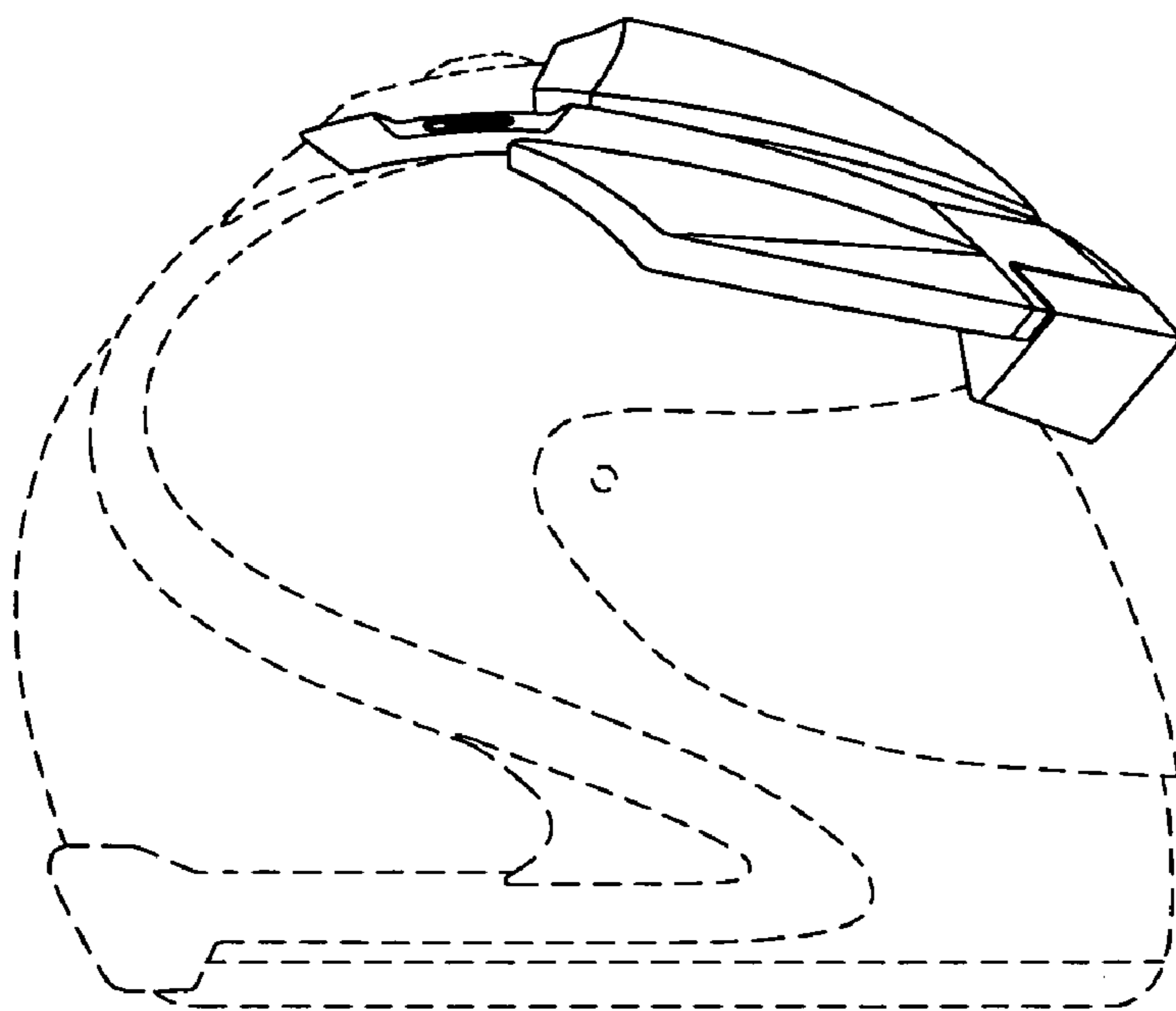


FIG. 8