



US00D577150S

(12) **United States Design Patent**
Bryman et al.

(10) **Patent No.:** **US D577,150 S**

(45) **Date of Patent:** **** Sep. 16, 2008**

(54) **INTEGRATED SMOKING IMPLEMENT**

(75) Inventors: **Gary Bryman**, 16 Fleet St., #2, Venice, CA (US) 93117; **Jay Bendavid**, Central Hong Kong (HK)

(73) Assignee: **Gary Bryman**, Venice, CA (US)

(**) Term: **14 Years**

(21) Appl. No.: **29/284,182**

(22) Filed: **Aug. 31, 2007**

(51) **LOC (8) Cl.** **27-02**

(52) **U.S. Cl.** **D27/163**

(58) **Field of Classification Search** D27/142,
D27/163-169, 172, 183, 194; 131/329, 330,
131/185; 431/253; 206/244

See application file for complete search history.

(56) **References Cited**

U.S. PATENT DOCUMENTS

4,190,062	A *	2/1980	Paden	131/185
4,223,687	A *	9/1980	Sandeen	131/185
D347,490	S *	5/1994	Gee et al.	D27/194
5,388,595	A *	2/1995	Shafer	131/329
5,456,269	A *	10/1995	Kollasch	131/330
D368,552	S *	4/1996	Adams	D27/194
5,529,078	A *	6/1996	Rehder et al.	131/329
5,638,833	A *	6/1997	Bowen et al.	131/187
6,014,974	A *	1/2000	Possamai	131/185
D424,236	S *	5/2000	Reed	D27/163
D433,532	S *	11/2000	Higgins et al.	D27/186

6,260,554	B1 *	7/2001	Rowland et al.	131/181
6,349,728	B1 *	2/2002	Pham	131/185
2002/0005207	A1 *	1/2002	Wrenn et al.	131/185

* cited by examiner

Primary Examiner—Jennifer Rivard

(74) *Attorney, Agent, or Firm*—Ganz Law, P.C.; J. Curtis Edmondson

(57) **CLAIM**

We claim the ornamental design for an integrated smoking implement, as shown and described.

DESCRIPTION

FIG. 1 is a top view of an integrated smoking implement according to our new design;

FIG. 2 is a right side view of an integrated smoking implement shown in FIG. 1.

FIG. 3 is a front view of an integrated smoking implement shown in FIG. 1.

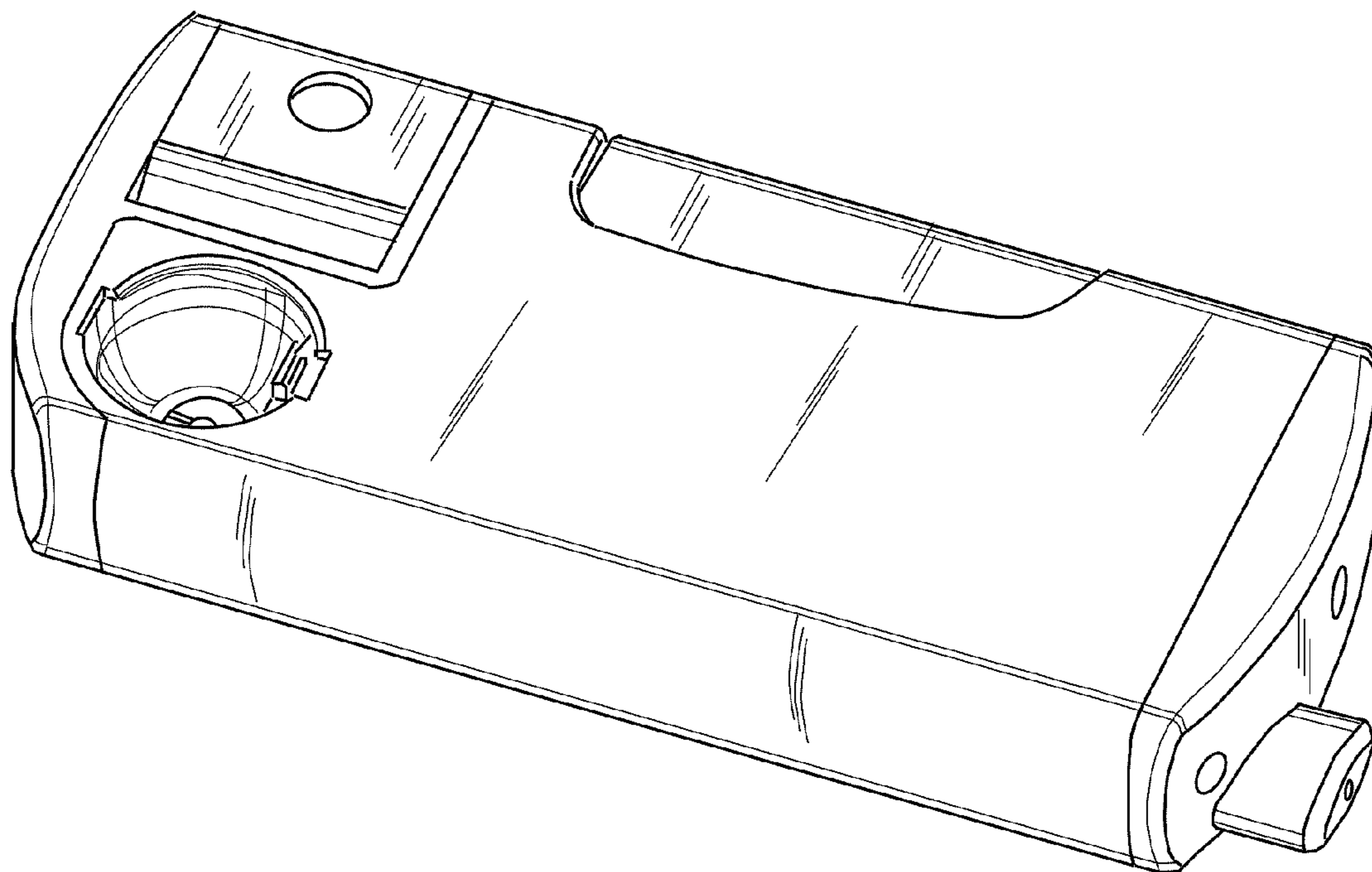
FIG. 4 is a bottom view of an integrated smoking implement shown in FIG. 1.

FIG. 5 is a rear view of an integrated smoking implement shown in FIG. 1.

FIG. 6 is a left side view of an integrated smoking implement shown in FIG. 1; and,

FIG. 7 is a side perspective view of an integrated smoking implement shown in FIG. 1.

1 Claim, 3 Drawing Sheets



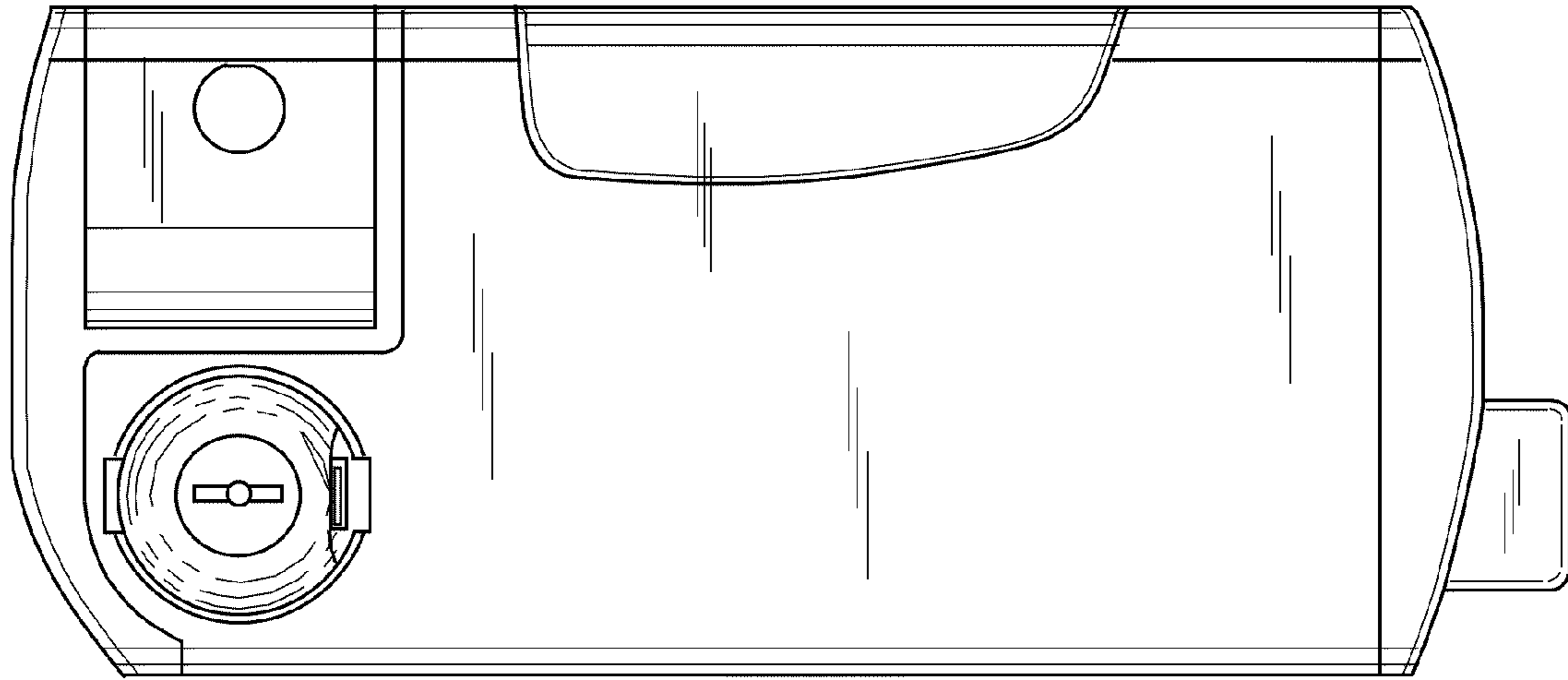


Fig. 1



Fig. 2



Fig. 3

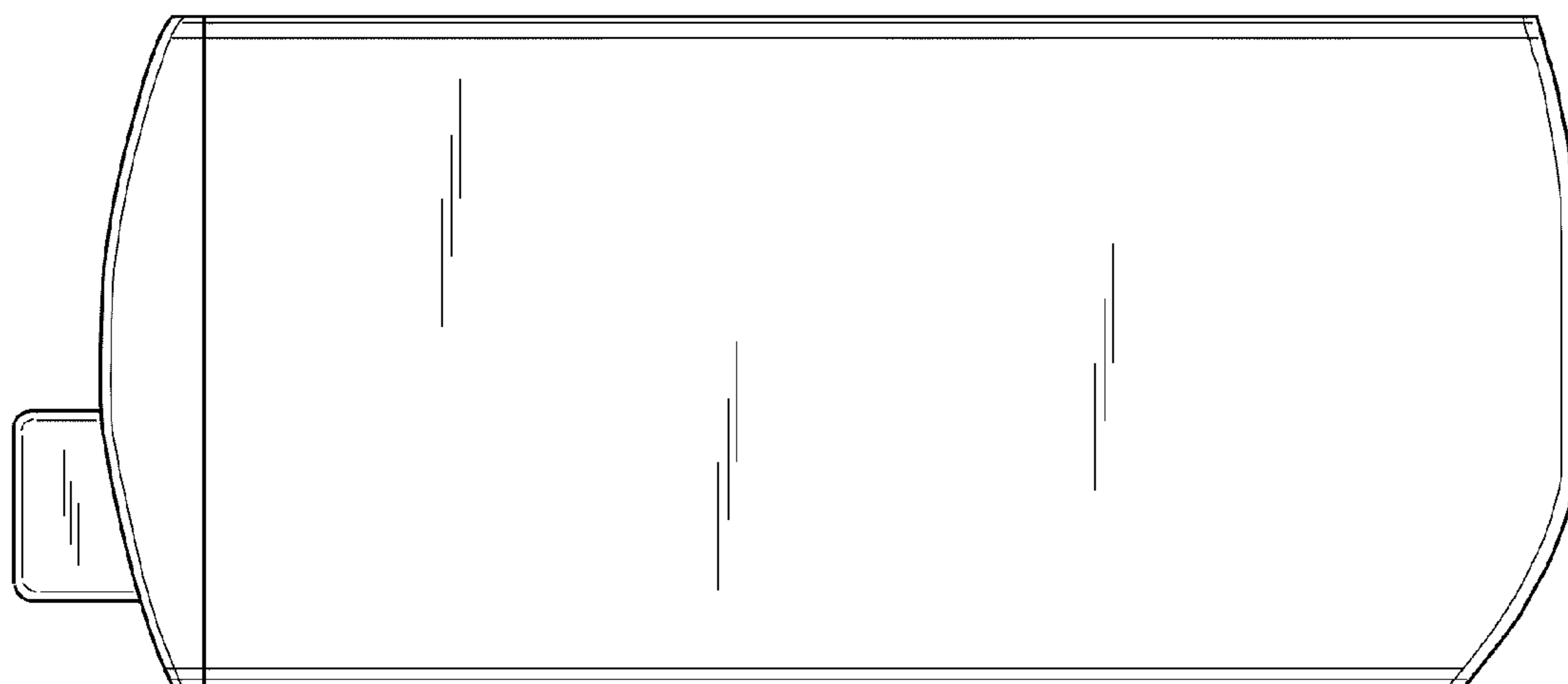


Fig. 4

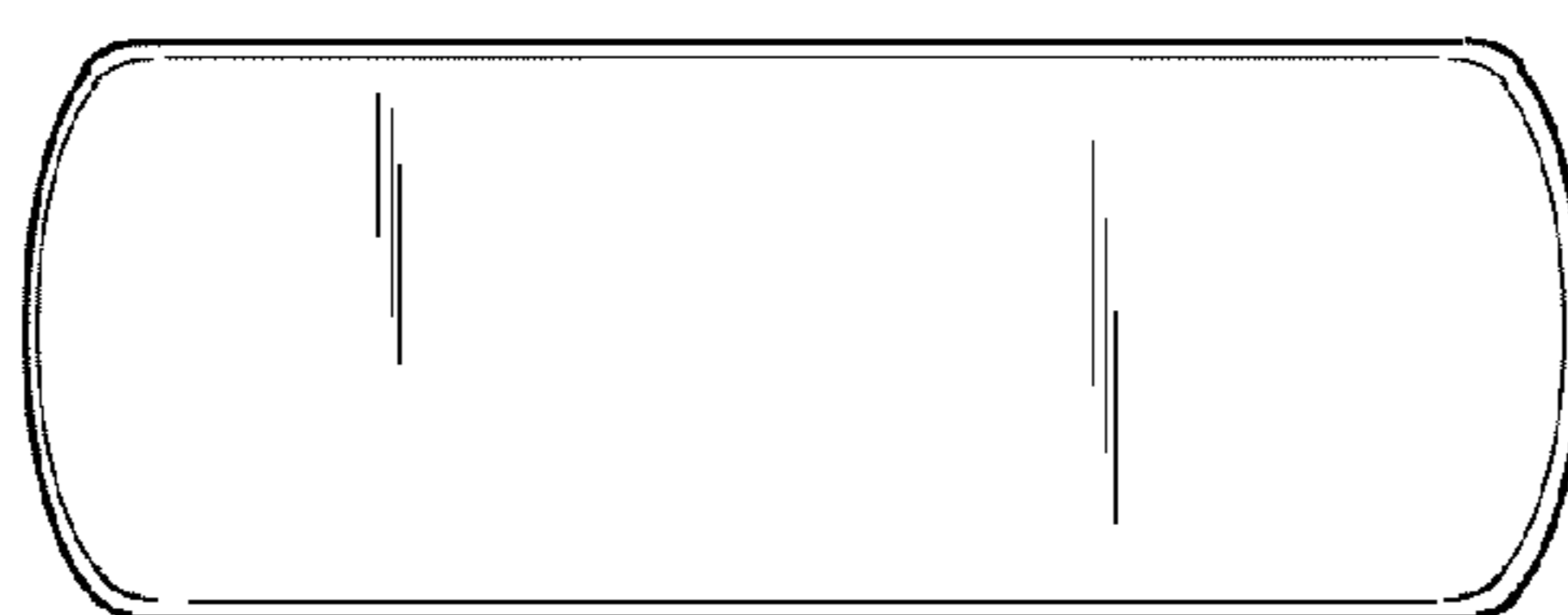


Fig. 5

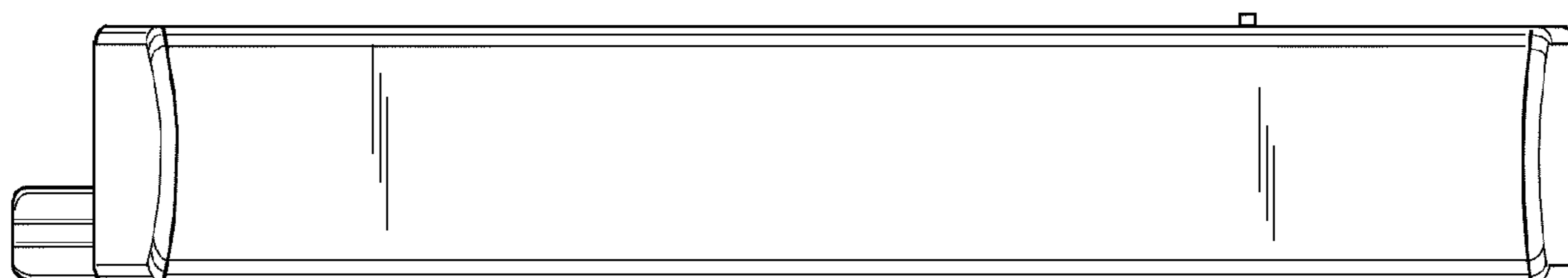


Fig. 6

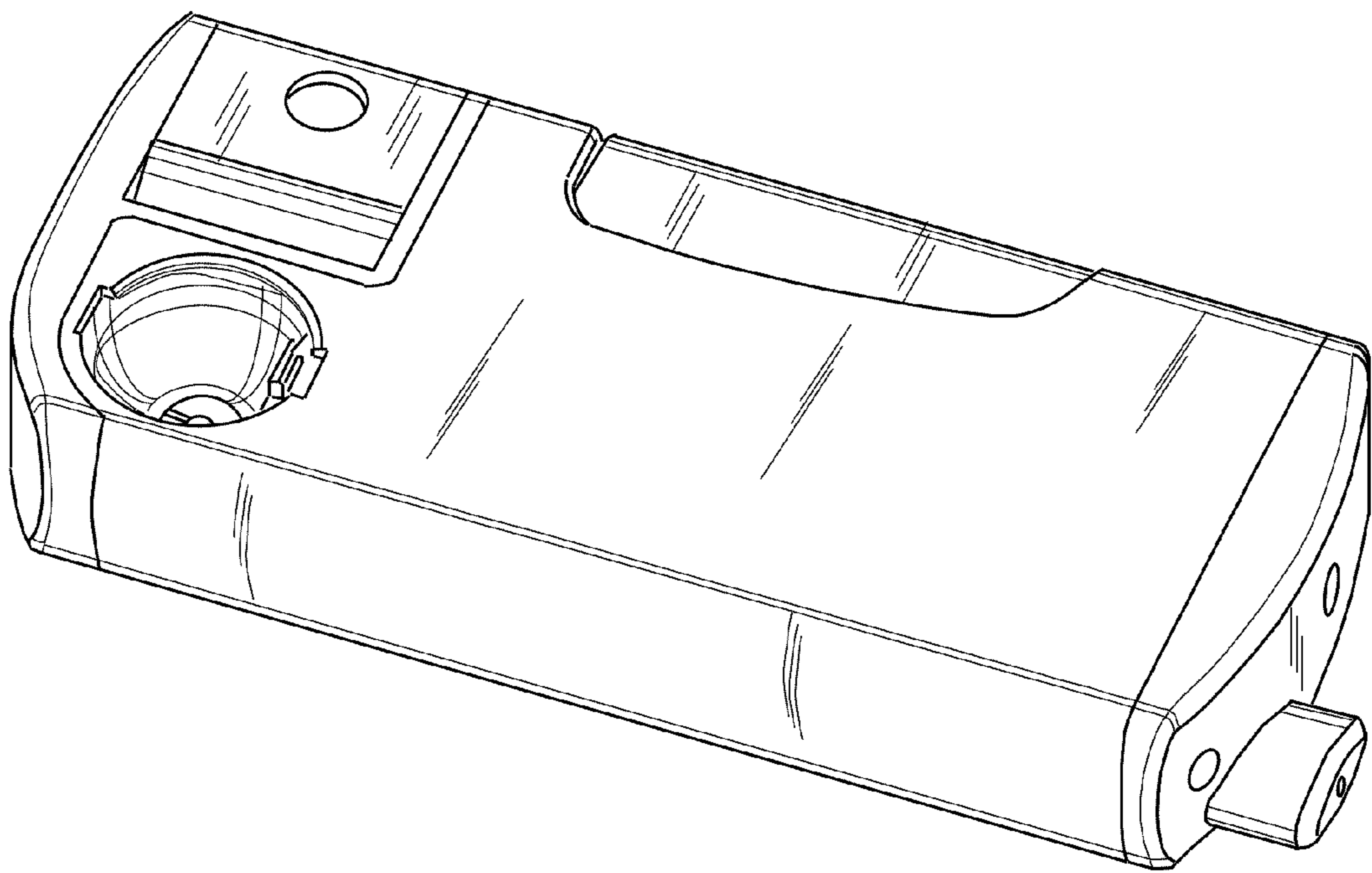


Fig. 7