



US00D577149S

(12) **United States Design Patent**
Gordin et al.

(10) **Patent No.:** **US D577,149 S**
(45) **Date of Patent:** **** Sep. 16, 2008**

(54) **CROSS ARM FOR LIGHTING FIXTURES**

4,712,167 A 12/1987 Gordin
D299,957 S * 2/1989 Shoemaker D24/210

(75) Inventors: **Myron K. Gordin**, Oskaloosa, IA (US);
Timothy J. Boyle, Oskaloosa, IA (US)

(73) Assignee: **Musco Corporation**, Oskaloosa, IA
(US)

(**) Term: **14 Years**

(21) Appl. No.: **29/221,794**

(22) Filed: **Jan. 18, 2005**

(51) **LOC (8) Cl.** **26-99**

(52) **U.S. Cl.** **D26/155**

(58) **Field of Classification Search** D26/60,
D26/67, 68, 70, 72, 76, 109, 113, 138, 140,
D26/141, 142, 152, 153, 155; 362/152, 225,
362/410, 431; 52/40; D6/580, 492, 495,
D6/507, 562; D8/403; D25/126, 134, 136,
D25/138, 164, 38, 42, 44, 119, 121, 122

See application file for complete search history.

(56) **References Cited**

U.S. PATENT DOCUMENTS

D130,059 S *	10/1941	Herr	D26/78
D130,813 S *	12/1941	Carter	D26/77
2,345,235 A *	3/1944	Carter, Jr.	362/140
2,447,923 A	8/1948	Tuck		
2,564,386 A *	8/1951	Webb	5/93.1
3,041,719 A *	7/1962	Haseltine	29/517
3,248,533 A *	4/1966	Mathis	362/222
3,341,702 A *	9/1967	Neumann	362/269
D223,547 S *	5/1972	Ohwa	D26/107
D223,588 S *	5/1972	Ohwa	D26/63
D233,033 S *	10/1974	Donne	D25/122
4,190,881 A	2/1980	Drost		
D257,891 S	1/1981	Drost		
D259,586 S *	6/1981	Johnson	D26/76
4,374,407 A *	2/1983	Drost et al.	362/432
4,450,507 A	5/1984	Gordin		
D288,614 S *	3/1987	Bos	D25/122

(Continued)

FOREIGN PATENT DOCUMENTS

EP 1 172 839 A2 1/2002

OTHER PUBLICATIONS

Dahlstrom Manufacturing Corp., Dahlstrom Special Products Catalogue, 1969, Catalogue No. 12, p. 107, Model No. 1852.*

(Continued)

Primary Examiner—Freda S. Nunn
Assistant Examiner—Kevin K Rudzinski
(74) *Attorney, Agent, or Firm*—McKee, Voorhees & Sease, P.L.C.

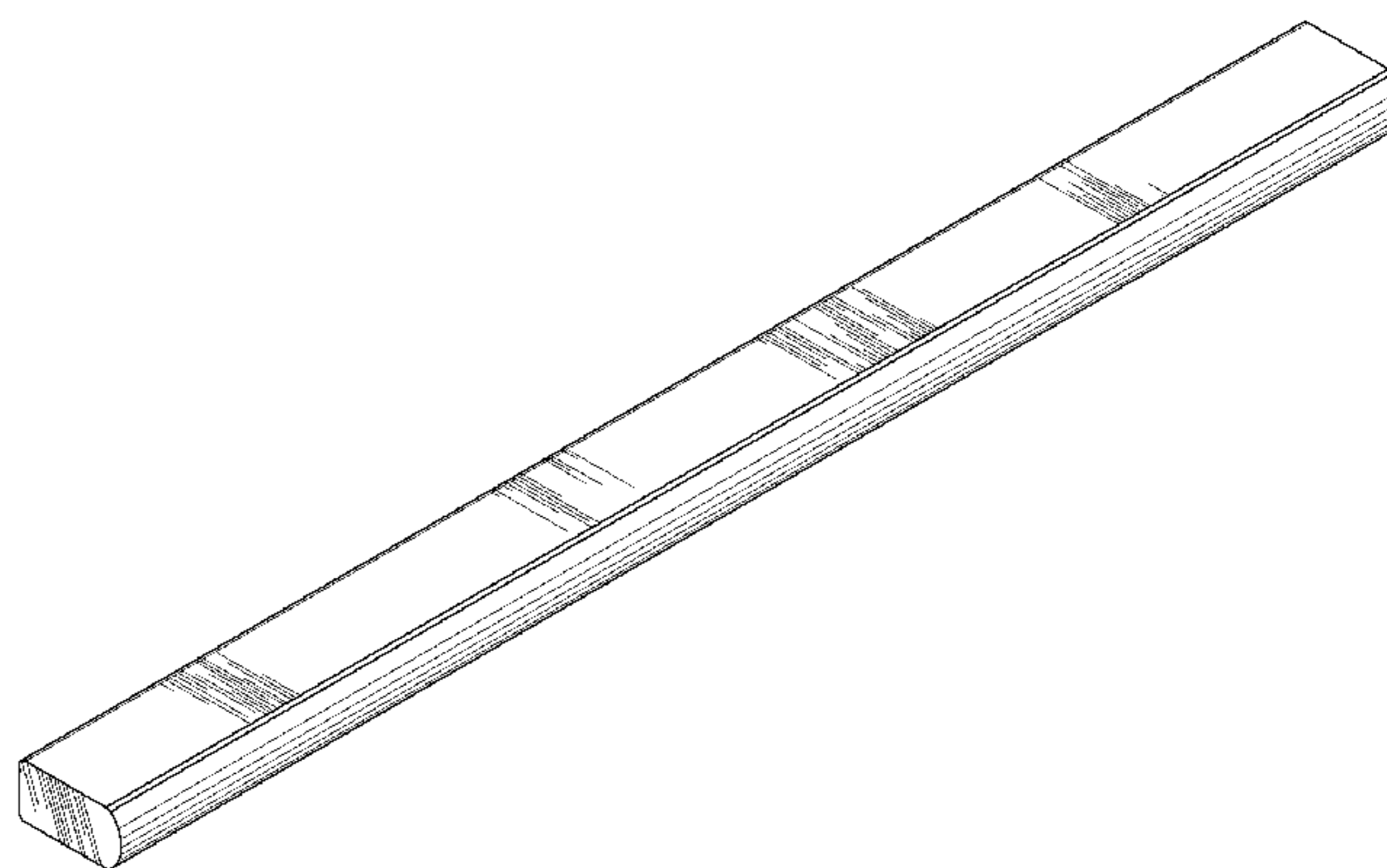
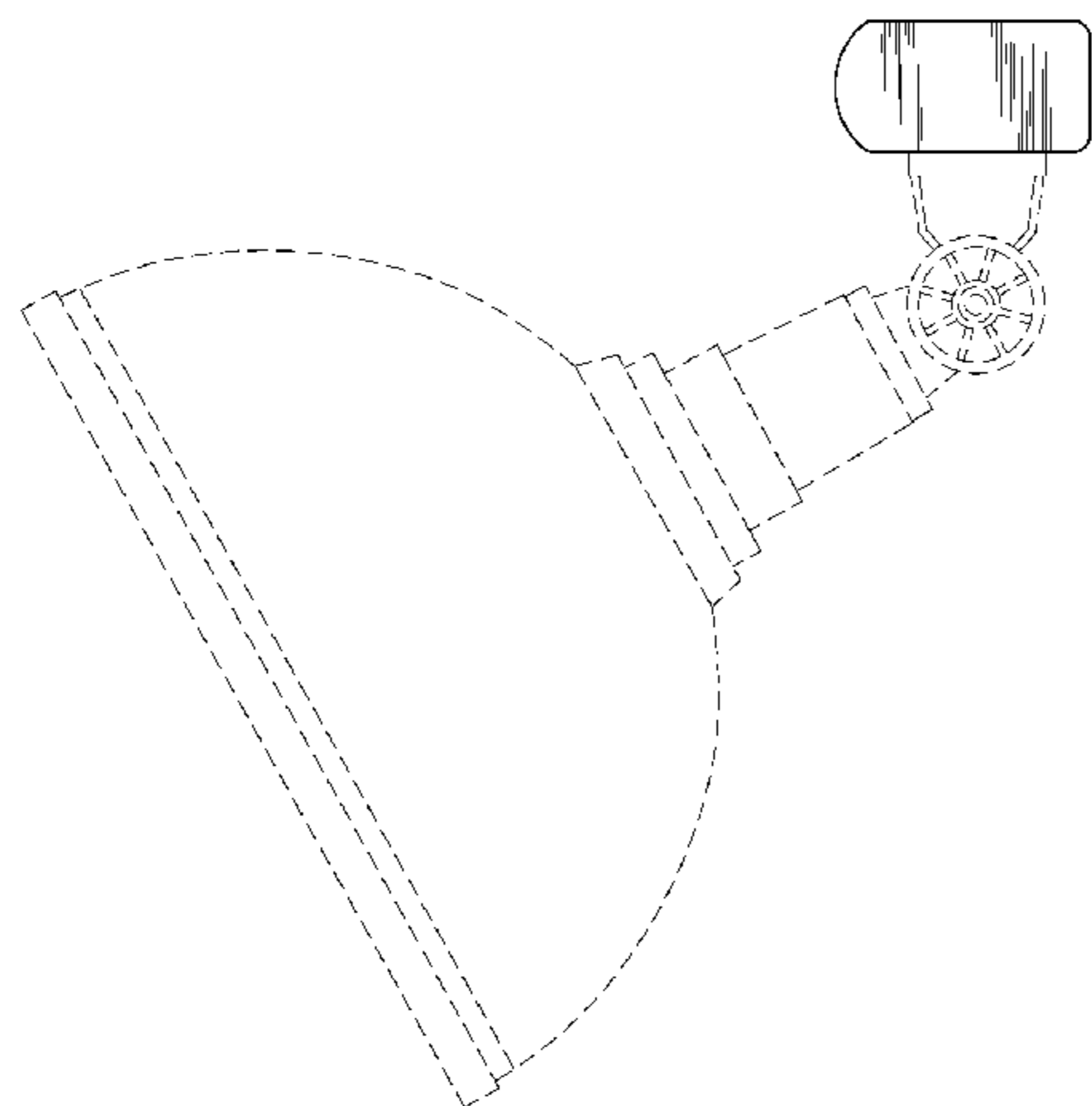
(57) **CLAIM**

We claim the ornamental design for a cross arm for lighting fixtures, as shown and described.

DESCRIPTION

FIG. 1 is a right side elevation view of the cross arm for lighting fixture, the broken line showing of light fixture is included for the purpose of illustrating environmental structure and forms no part of the claimed design;
FIG. 2 is a top, left side perspective view thereof;
FIG. 3 is a top perspective view thereof, demonstrating indeterminate length;
FIG. 4 is a front elevation view thereof;
FIG. 5 is a rear elevation view thereof;
FIG. 6 is a top plan view thereof; and,
FIG. 7 is a bottom plan view thereof.

1 Claim, 3 Drawing Sheets



US D577,149 S

Page 2

U.S. PATENT DOCUMENTS

4,811,181 A 3/1989 Jones
4,816,974 A 3/1989 Gordin
4,947,303 A 8/1990 Gordin
5,012,398 A 4/1991 Jones
5,024,602 A * 6/1991 Leong 439/107
5,106,103 A * 4/1992 Fiore 273/459
5,161,883 A 11/1992 Gordin et al.
5,207,747 A 5/1993 Gordin
D337,168 S 7/1993 Gordin
D351,482 S * 10/1994 Johnson et al. D26/113
D353,911 S 12/1994 Gordin
D355,094 S * 2/1995 Josephson D6/580
5,390,094 A * 2/1995 Evanisko 362/267
5,426,577 A 6/1995 Gordin
D363,250 S * 10/1995 Miyatake D10/114
5,605,017 A * 2/1997 Fingerson et al. 52/40
5,707,142 A 1/1998 Gordin

5,856,721 A 1/1999 Gordin
D411,096 S 6/1999 Gordin
5,944,413 A * 8/1999 Crookham et al. 362/431
6,203,176 B1 3/2001 Gordin
6,250,596 B1 6/2001 Gordin
D446,315 S * 8/2001 Forbis D25/38
6,347,488 B1 * 2/2002 Koye 52/40
6,398,392 B2 6/2002 Gordin
D470,262 S * 2/2003 Yiu D26/76
D472,326 S * 3/2003 Hughes et al. D25/38
6,827,995 B2 * 12/2004 Hughes et al. 428/36.5
6,834,469 B2 * 12/2004 Fingerson et al. 52/651.02
2003/0147240 A1 8/2003 Gordin

OTHER PUBLICATIONS

Dahlstrom Manufacturing Corp., Dahlstrom Special Products Catalogue, 1969, Catalogue No. 12, p. 137, Model No. X7486.*

* cited by examiner

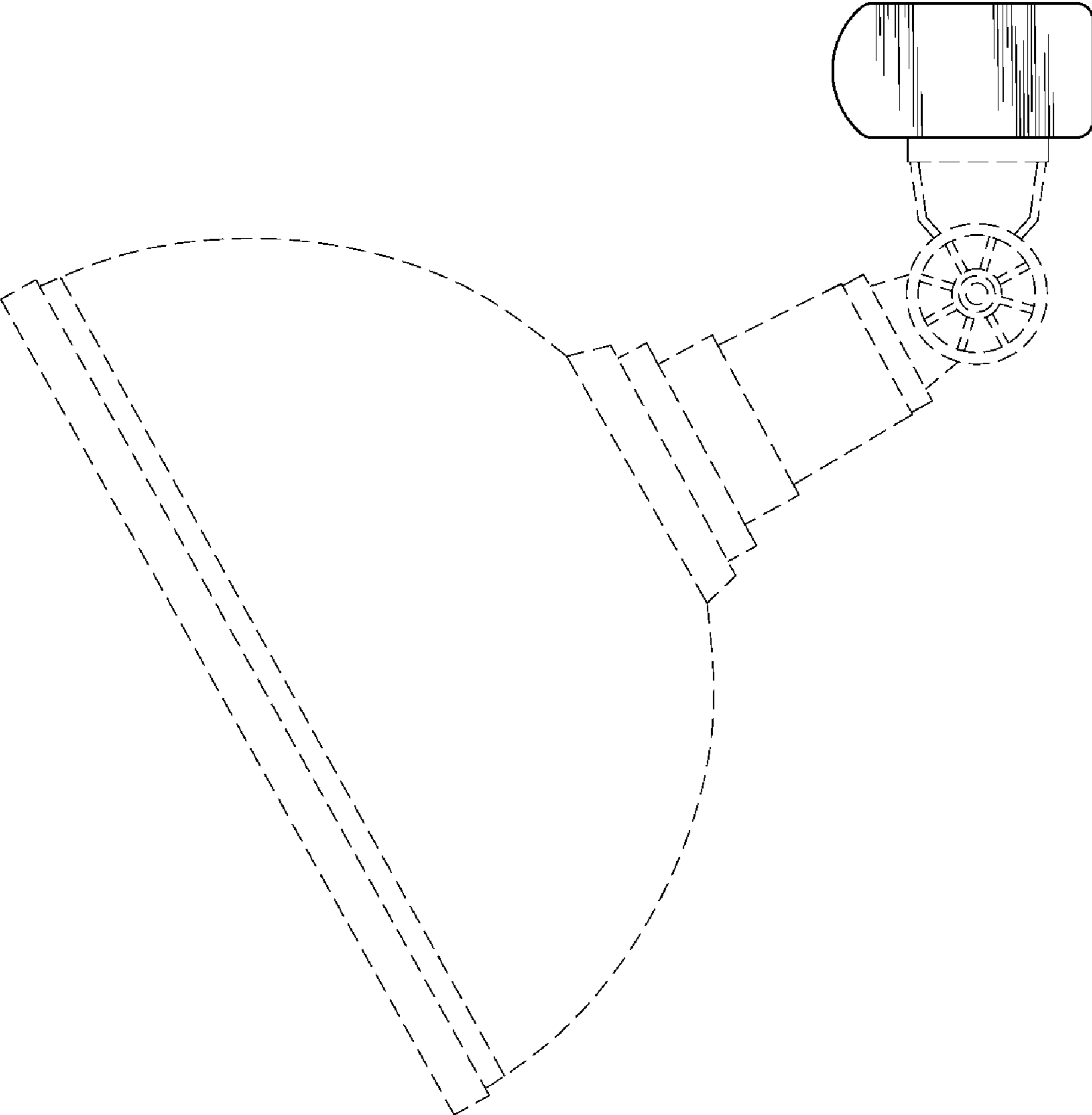
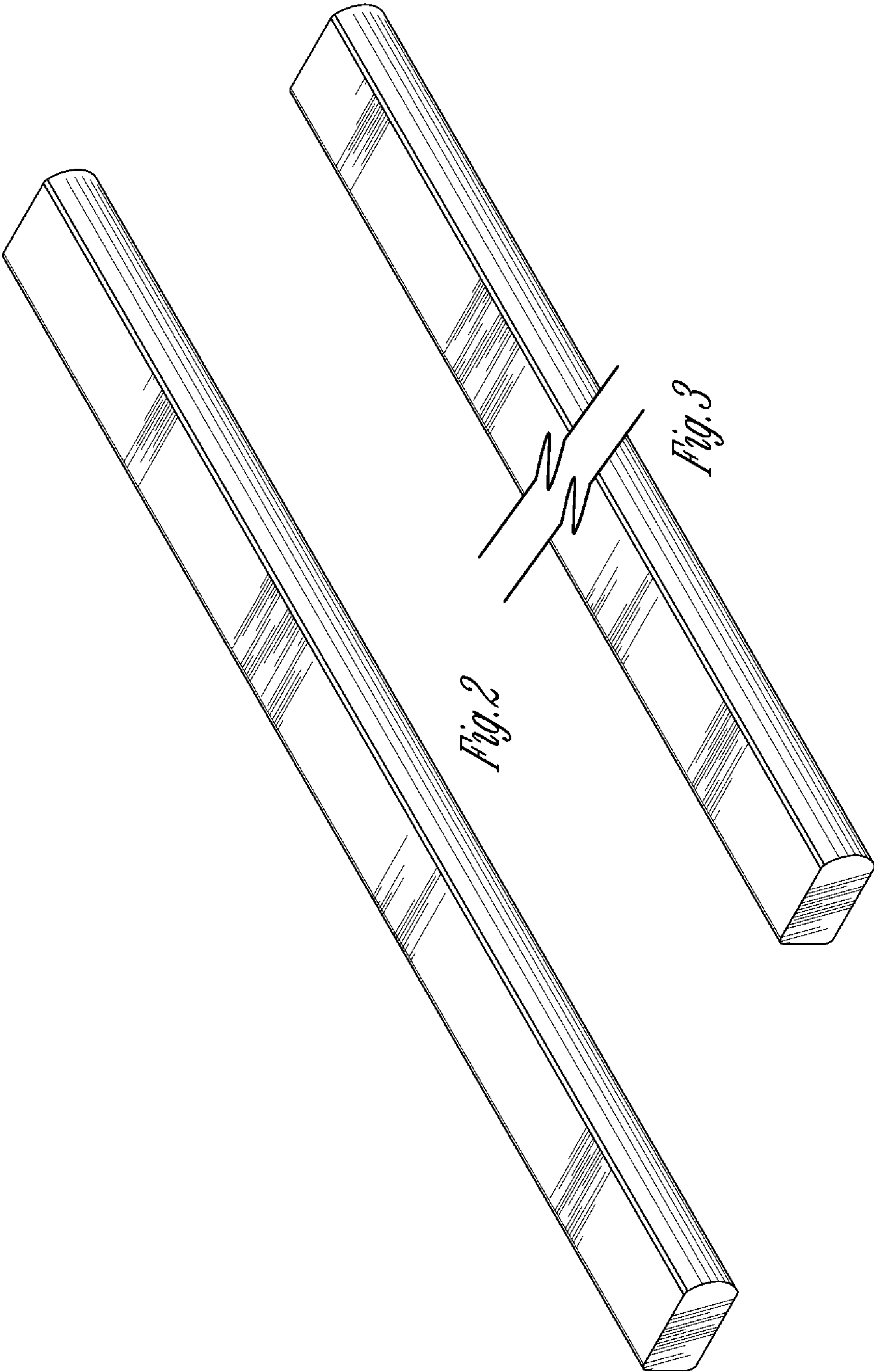


Fig. 1



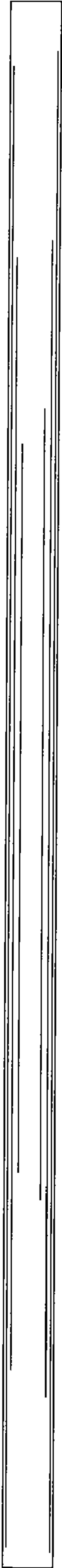


Fig. 4



Fig. 5

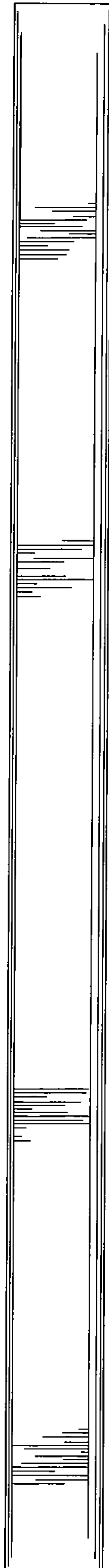


Fig. 6

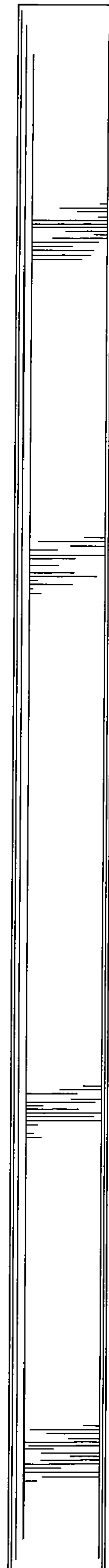


Fig. 7