



US00D577148S

(12) **United States Design Patent**
Snider

(10) **Patent No.:** **US D577,148 S**
(45) **Date of Patent:** **** Sep. 16, 2008**

(54) **SUPPORT FOR A LIGHT LINE GENERATING DEVICE**

(75) Inventor: **Gregory S. Snider**, Bel Air, MD (US)

(73) Assignee: **Black & Decker**, Newark, DE (US)

(**) Term: **14 Years**

(21) Appl. No.: **29/276,790**

(22) Filed: **Feb. 6, 2007**

(51) **LOC (8) Cl.** **26-99**

(52) **U.S. Cl.** **D26/138**

(58) **Field of Classification Search** D26/22,
D26/24, 27, 61, 72, 75, 78, 92, 93, 81, 113,
D26/118, 120, 121, 123, 124, 138, 140, 141,
D26/142, 143, 144, 145, 149, 150, 151, 152,
D26/153, 155; D10/69, 66, 70, 74; D13/133;
439/315, 314, 681; 372/109, 107; 33/286,
33/290, 227; 362/147, 172, 257, 259, 270,
362/277, 362, 216, 370, 382, 391, 404, 405,
362/434, 440, 441, 442, 551, 553, 615, 647,
362/648

See application file for complete search history.

(56) **References Cited**

U.S. PATENT DOCUMENTS

1,137,906	A *	5/1915	Rosenberg	248/342
1,283,968	A *	11/1918	Taylor	362/440
D75,012	S *	5/1928	Johnson	D24/210
D85,144	S *	9/1931	Adrian	D26/150
D111,214	S *	9/1938	Petzold	D26/121
D142,959	S *	11/1945	Lee	D23/414
D261,057	S *	9/1981	Wotowiec et al.	D26/93
5,208,438	A *	5/1993	Underberg	219/121.78
D396,817	S *	8/1998	Webb	D10/74
6,088,623	A *	7/2000	Yowler et al.	700/56
6,427,347	B1 *	8/2002	Butler, Sr.	33/286
D505,630	S *	5/2005	Snider et al.	D10/74

6,922,901	B1 *	8/2005	Chou et al.	33/290
D509,761	S *	9/2005	Kallabis	D10/69
2005/0246912	A1 *	11/2005	Marshall et al.	33/286
2005/0274030	A1 *	12/2005	Spanski et al.	33/286

* cited by examiner

Primary Examiner—Freda S. Nunn

Assistant Examiner—Kevin K Rudzinski

(74) *Attorney, Agent, or Firm*—Edell, Shapiro & Finnan, LLC

(57) **CLAIM**

The ornamental design for a support for a light line generating device, as shown and described.

DESCRIPTION

FIG. 1 is a top perspective view of a support for a light line generating device according to the present invention;

FIG. 2 is a bottom perspective view of the support for a light line generating device shown in FIG. 1;

FIG. 3 is a front view in elevation of the support for a light line generating device shown in FIG. 1;

FIG. 4 is a rear view in elevation of the support for a light line generating device shown in FIG. 1;

FIG. 5 is a left side view in elevation of the support for a light line generating device shown in FIG. 1;

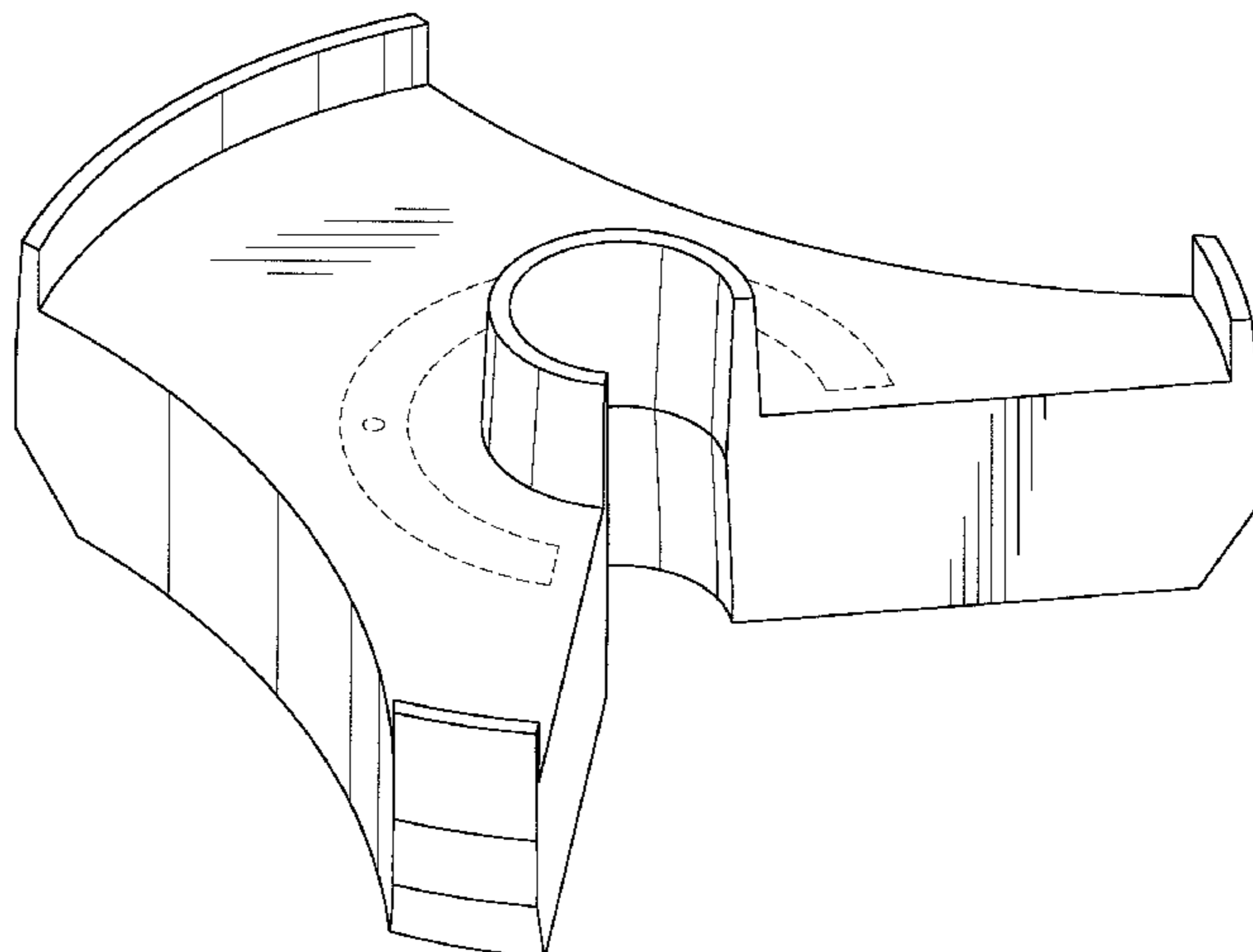
FIG. 6 is a right side view in elevation of the support for a light line generating device shown in FIG. 1;

FIG. 7 is a top view in plan of the support for a light line generating device shown in FIG. 1; and,

FIG. 8 is a bottom view in plan of the support for a light line generating device shown in FIG. 1.

The broken line showing of environmental structure in the figures forms no part of the claimed design.

1 Claim, 5 Drawing Sheets



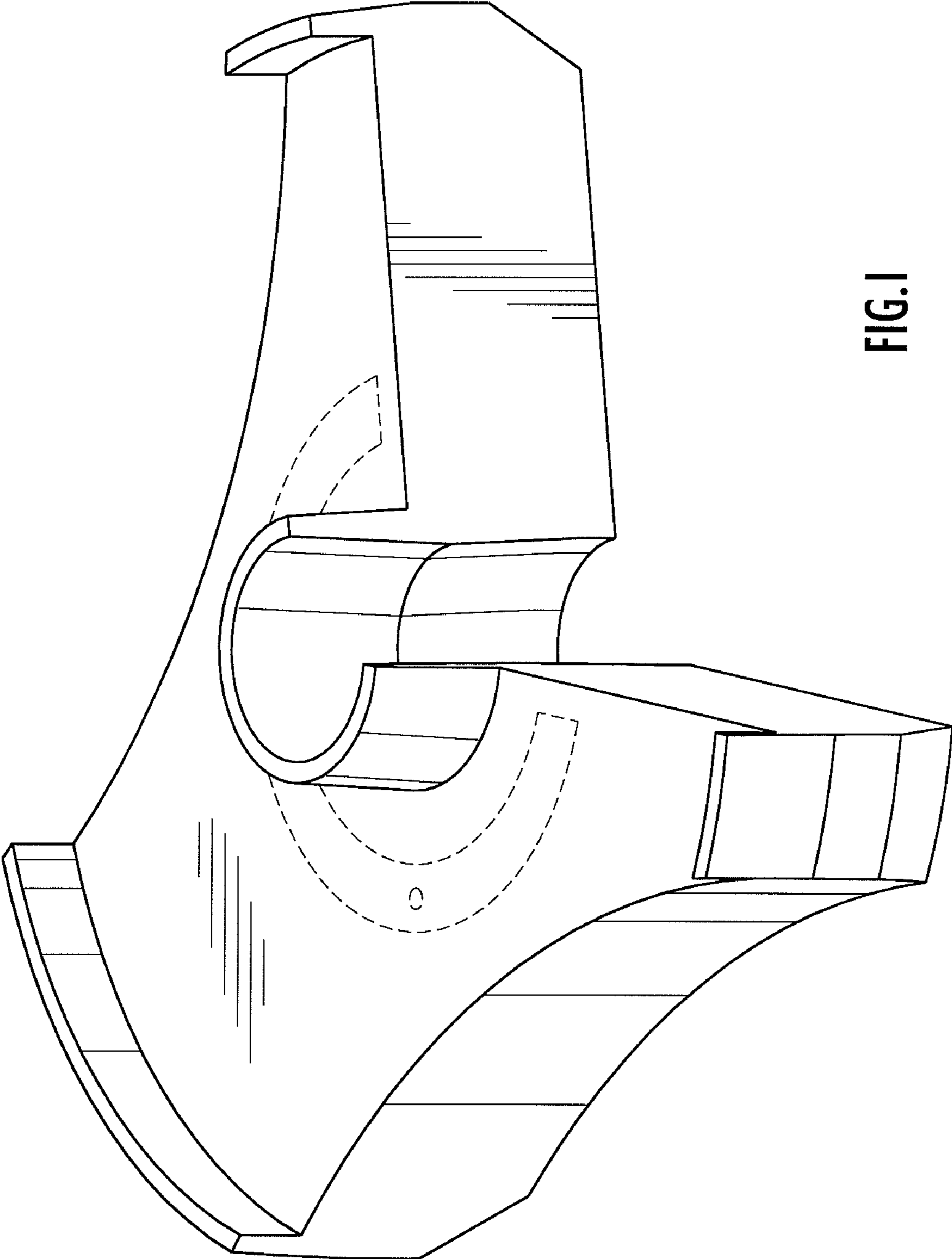
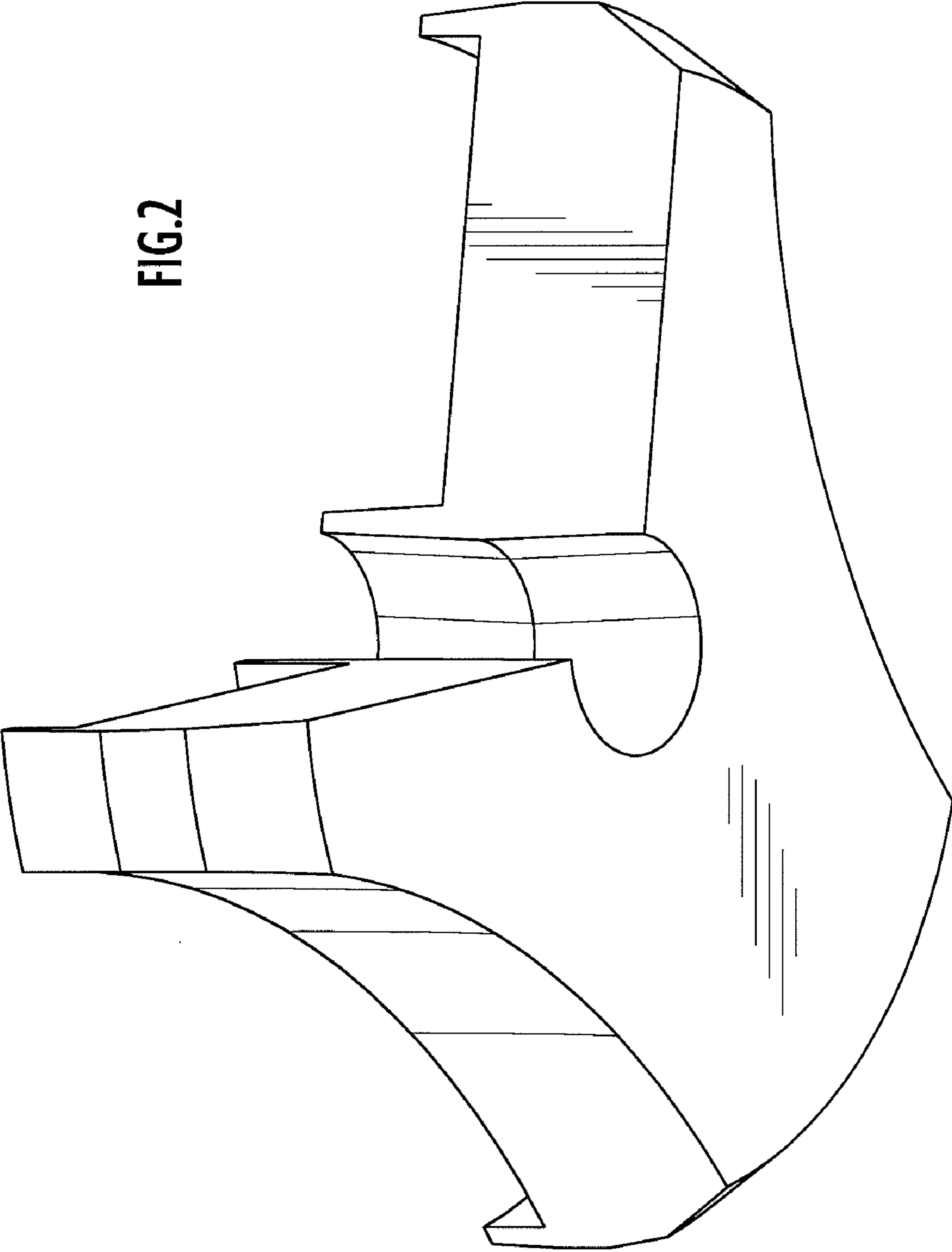


FIG. I

FIG.2



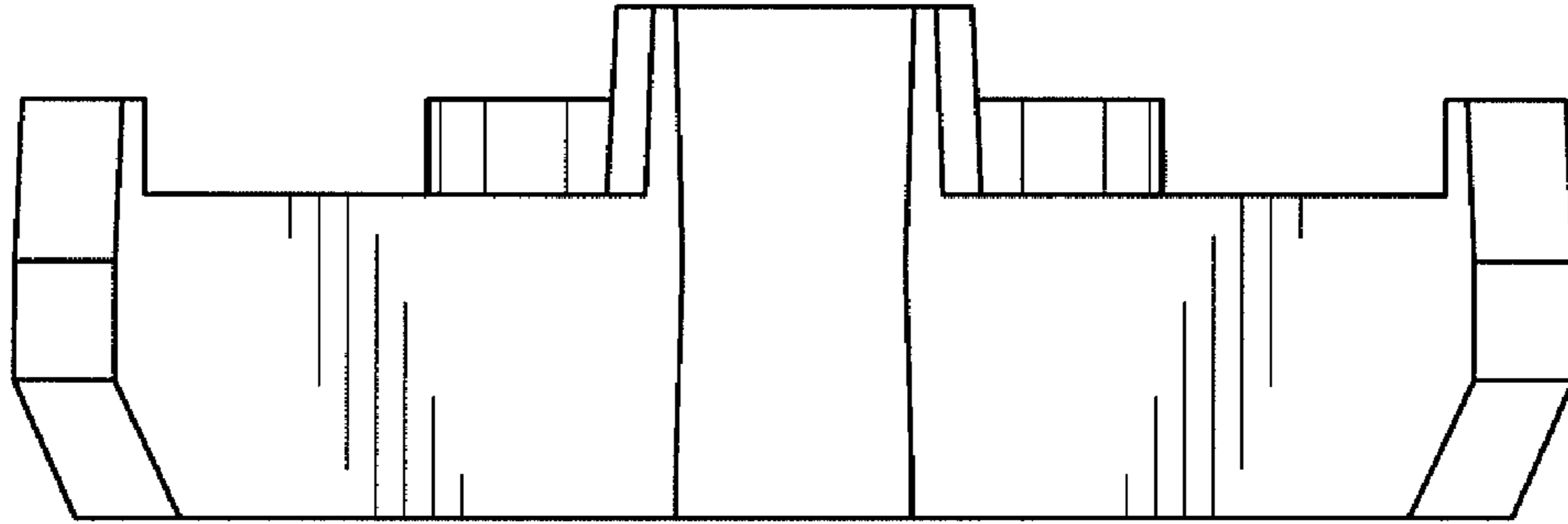


FIG.3

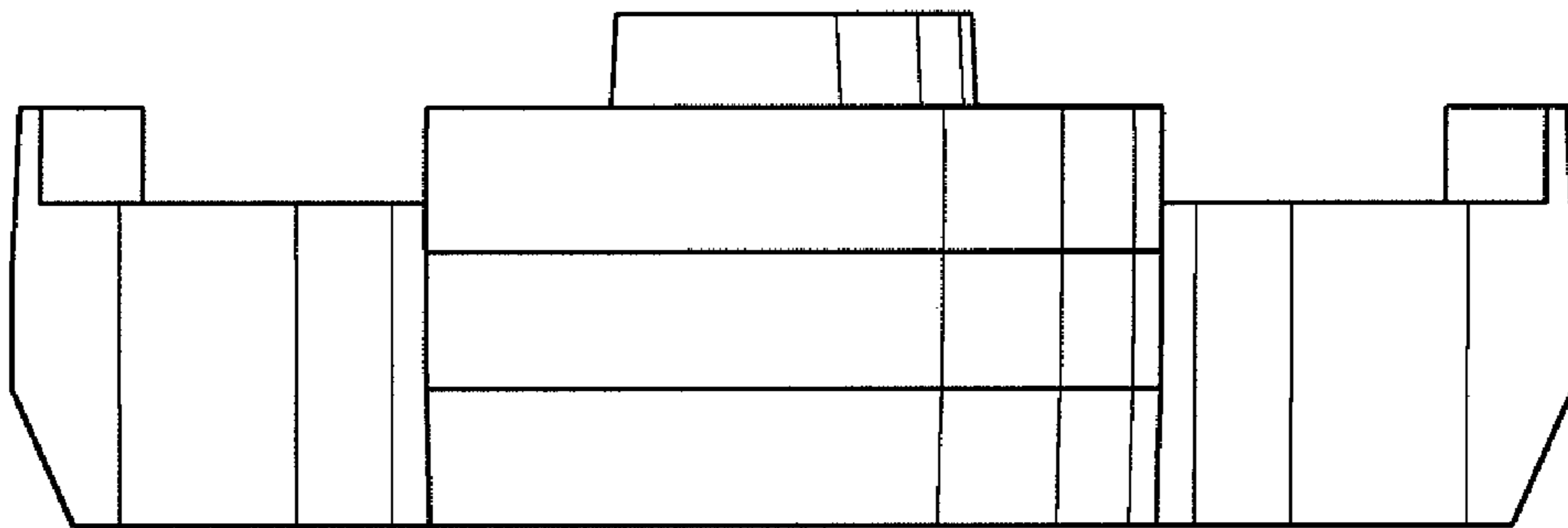


FIG.4

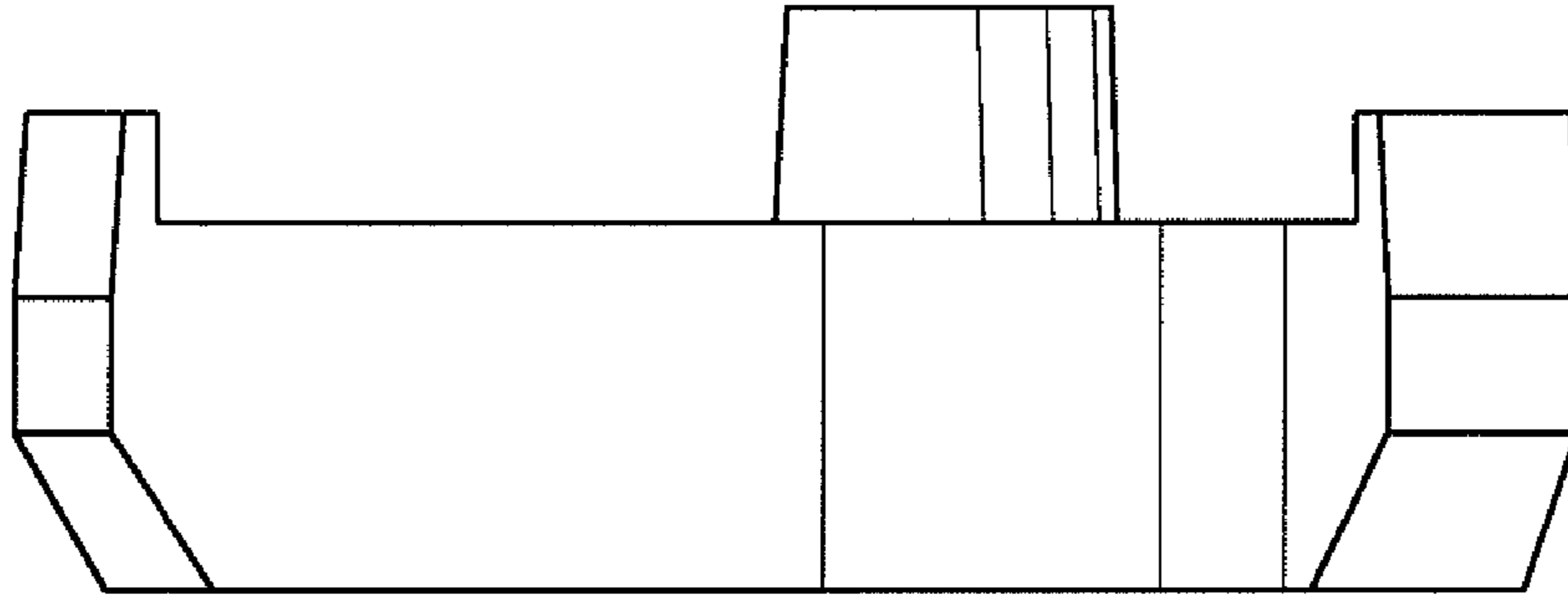


FIG. 5

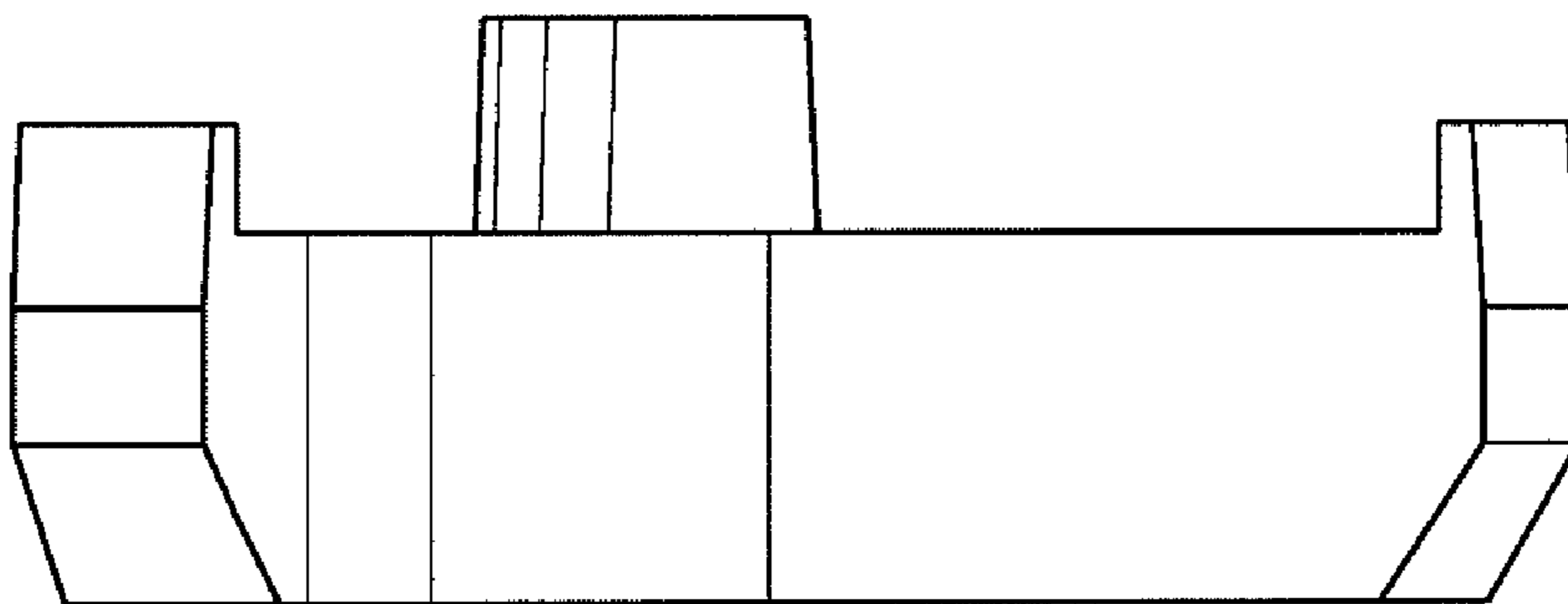


FIG. 6

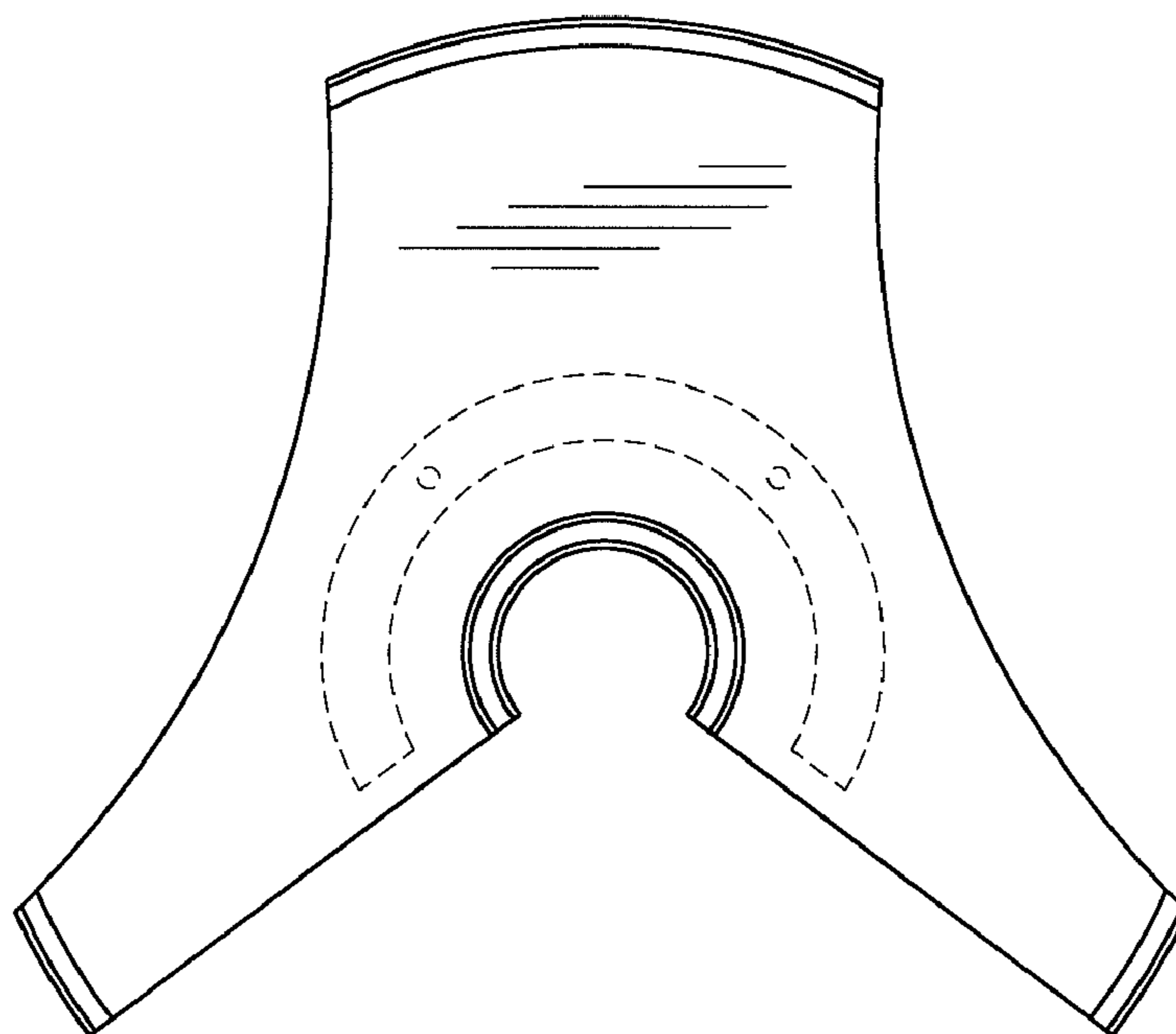


FIG. 7

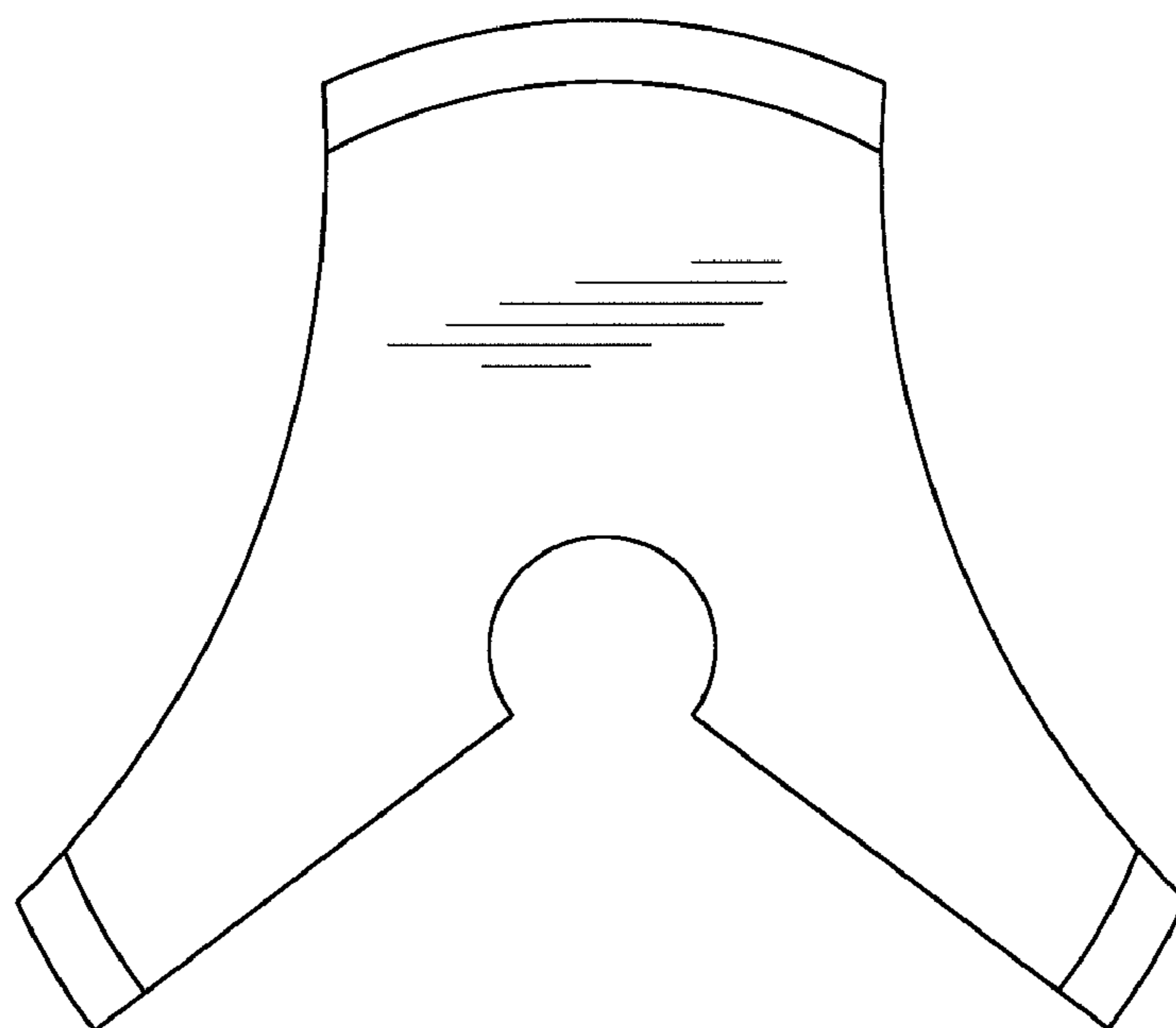


FIG. 8