



US00D577147S

(12) **United States Design Patent**
Kirar

(10) **Patent No.:** **US D577,147 S**

(45) **Date of Patent:** **** Sep. 16, 2008**

(54) **LIGHTING FIXTURE**

(75) Inventor: **Laura Kirar**, Miami, FL (US)

(73) Assignee: **Boyd Lighting Fixture Company**, San Francisco, CA (US)

(**) Term: **14 Years**

(21) Appl. No.: **29/283,953**

(22) Filed: **Aug. 28, 2007**

(51) **LOC (8) Cl.** **26-99**

(52) **U.S. Cl.** **D26/128**

(58) **Field of Classification Search** D26/155,
D26/87, 85, 128, 72, 79, 113, 118, 145, 124,
D26/129, 137, 138, 88, 105; 362/147, 151,
362/351, 368, 370, 432

See application file for complete search history.

(56) **References Cited**

U.S. PATENT DOCUMENTS

D82,136 S *	9/1930	Chapman	D26/87
D384,764 S *	10/1997	Littman	D26/87
D399,330 S *	10/1998	Geier et al.	D26/88
D400,287 S *	10/1998	Littman et al.	D26/88
D473,002 S *	4/2003	Hoernig	D26/87
D473,004 S *	4/2003	Hoernig	D26/87
D487,815 S *	3/2004	Hoernig	D26/87
D514,246 S *	1/2006	Hoernig	D26/87
2003/0031018 A1 *	2/2003	Bray et al.	362/391

* cited by examiner

Primary Examiner—Freda S. Nunn

Assistant Examiner—Kevin K Rudzinski

(74) *Attorney, Agent, or Firm*—Heslin Rothenberg Farley & Mesiti P.C.

(57) **CLAIM**

The ornamental design for a lighting fixture, as shown and described.

DESCRIPTION

FIG. 1 is a perspective view of a lighting fixture comprising the new design;

FIG. 2 is a front elevational view thereof;

FIG. 3 is a right side elevational view thereof, a left side elevational view being a mirror image thereof;

FIG. 4 is bottom view thereof;

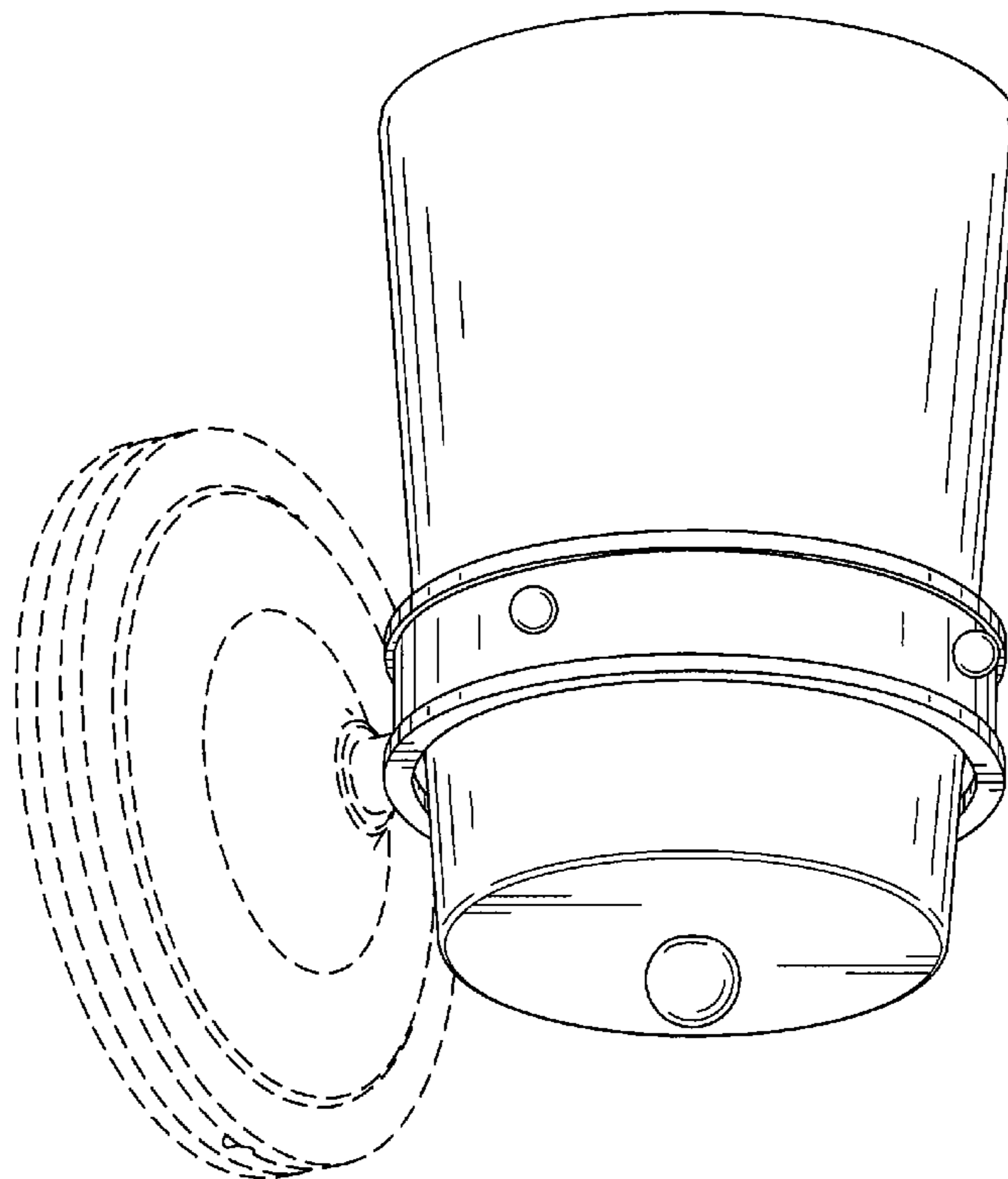
FIG. 5 is a perspective view of the lighting fixture configured as a pendant;

FIG. 6 is a perspective view of the lighting fixture configured as a chandelier; and,

FIG. 7 is a perspective view of the lighting fixture configured as a wall sconce.

The broken lines in the figures are for illustration purposes only and form no part of the claimed invention.

1 Claim, 7 Drawing Sheets



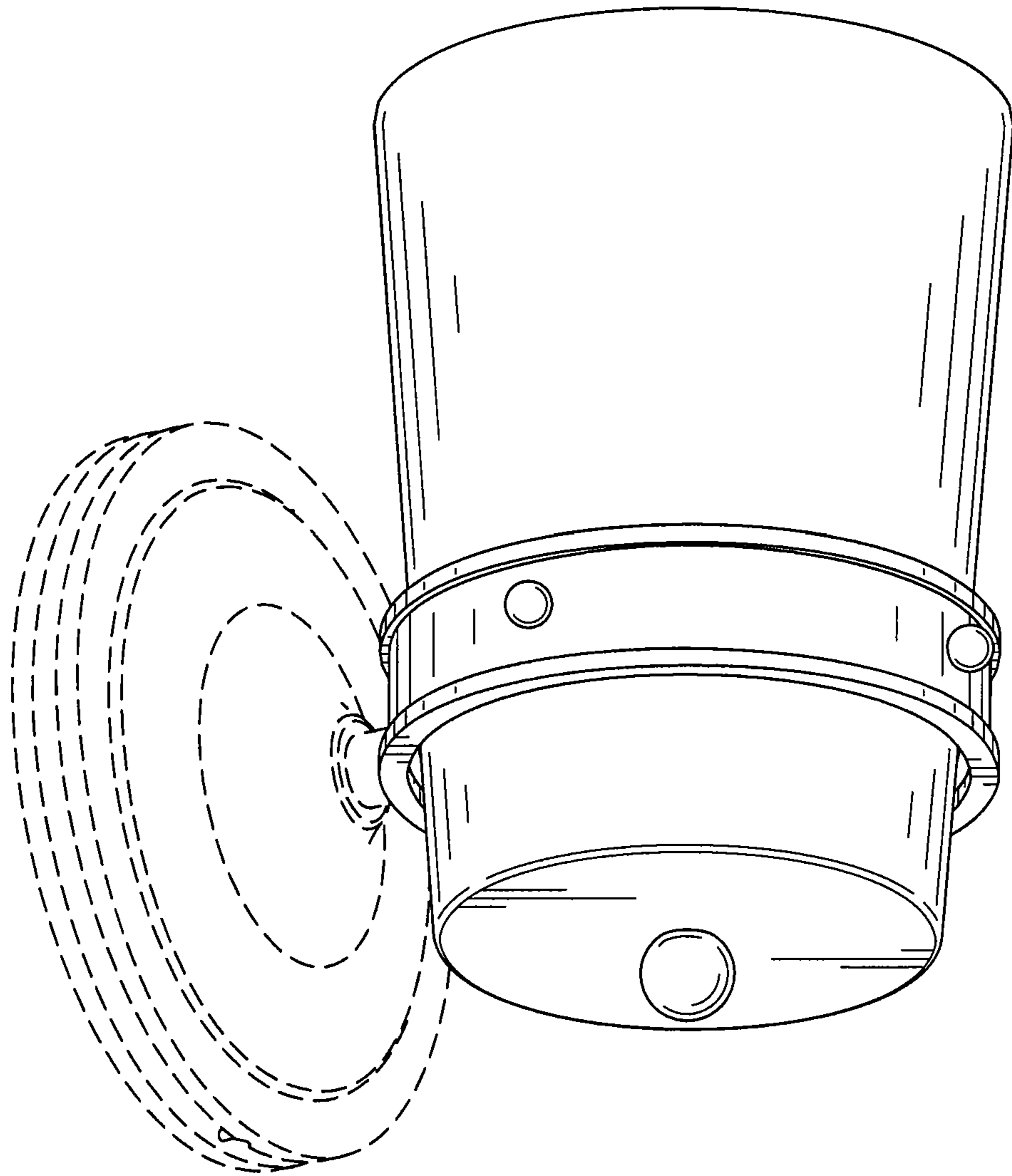


FIG. 1

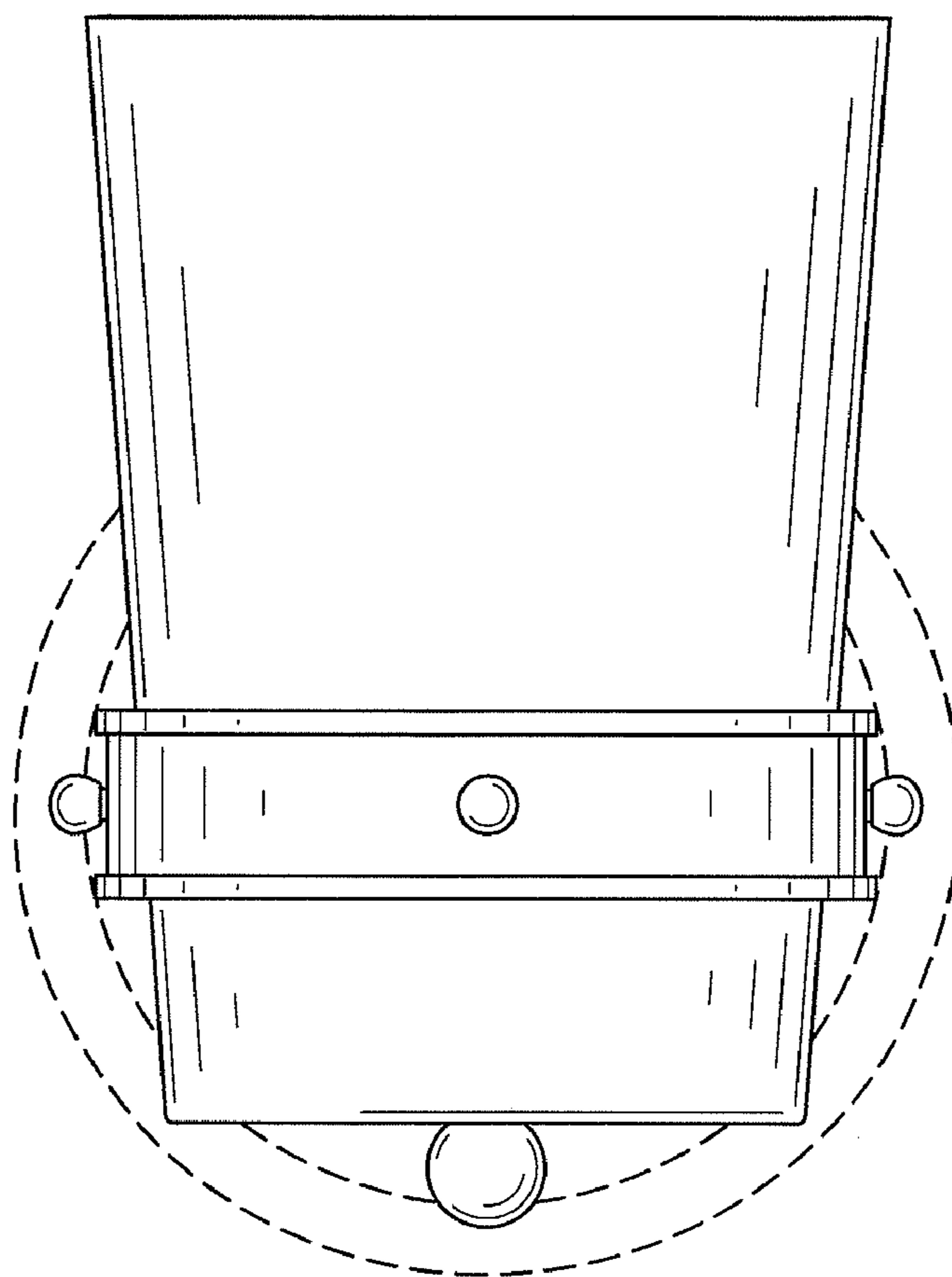


FIG. 2

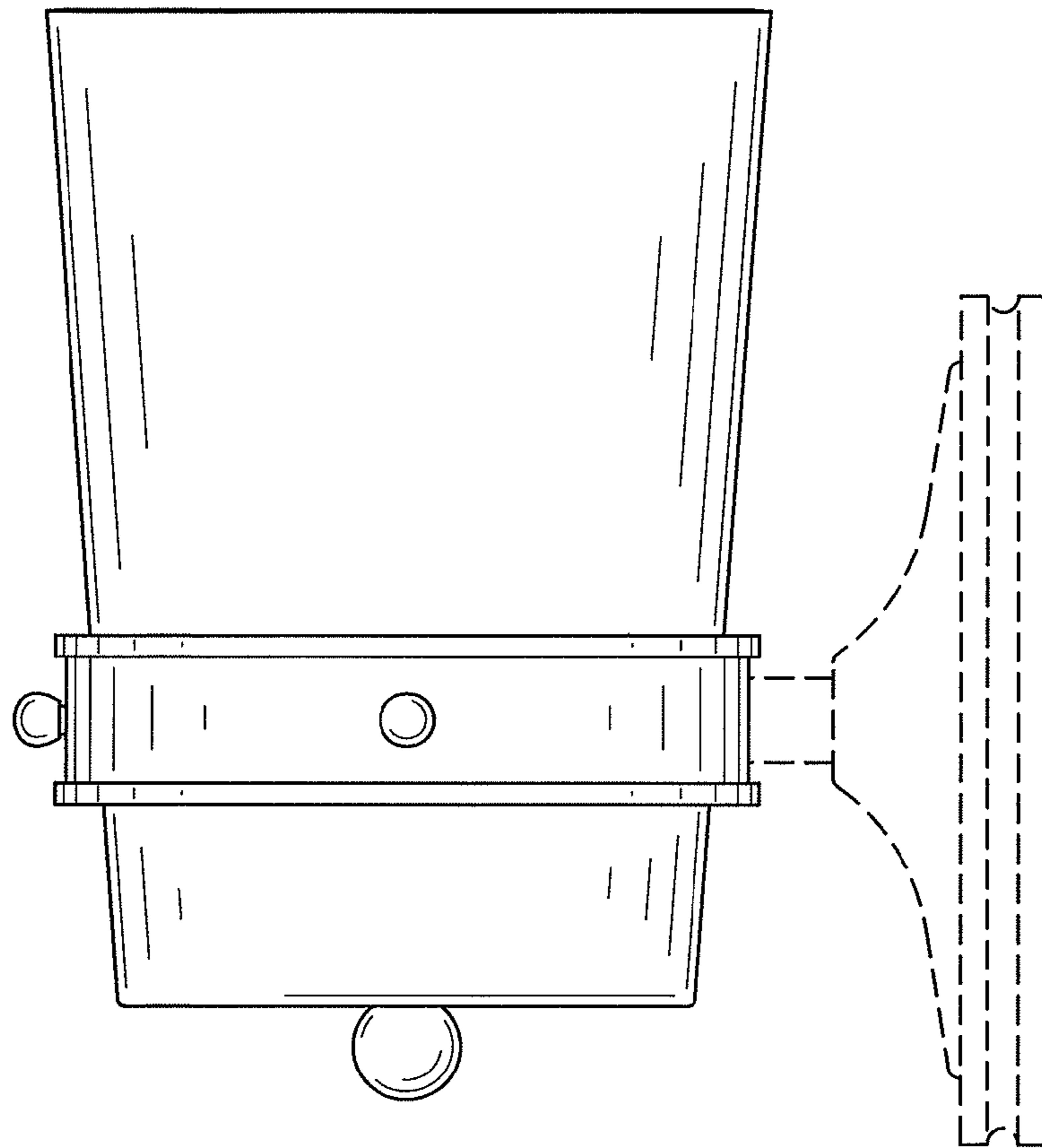


FIG. 3

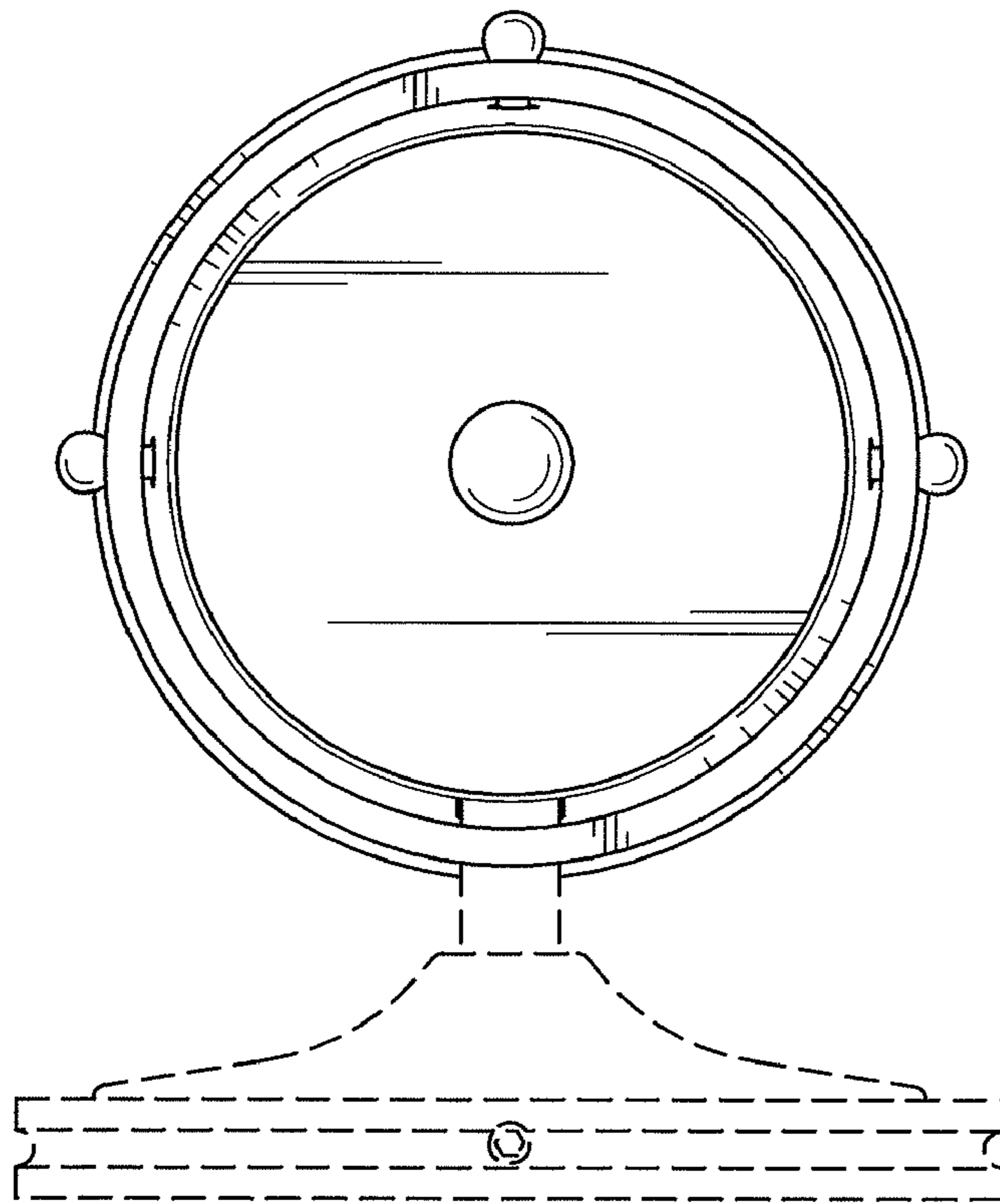


FIG. 4

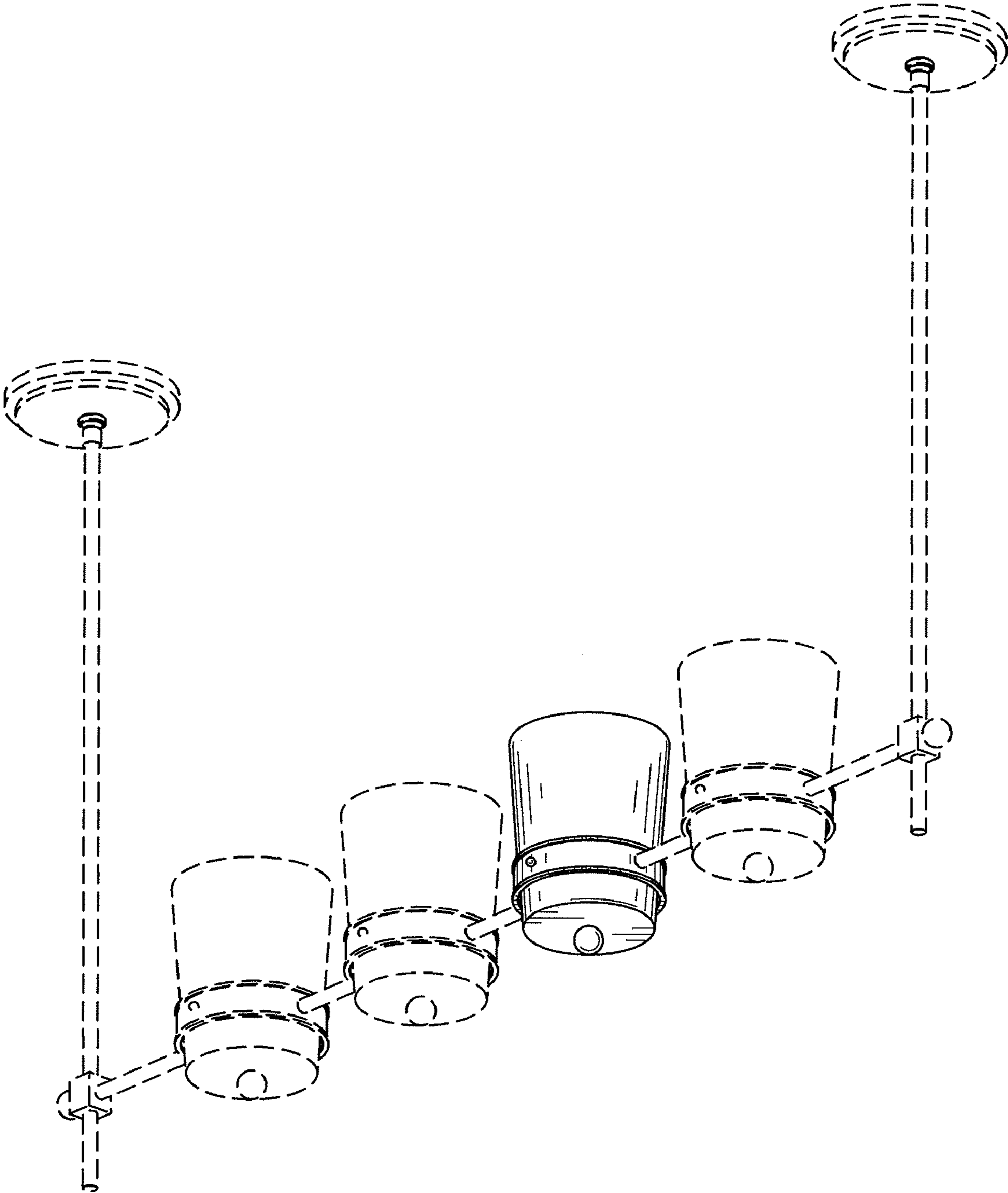


FIG. 5

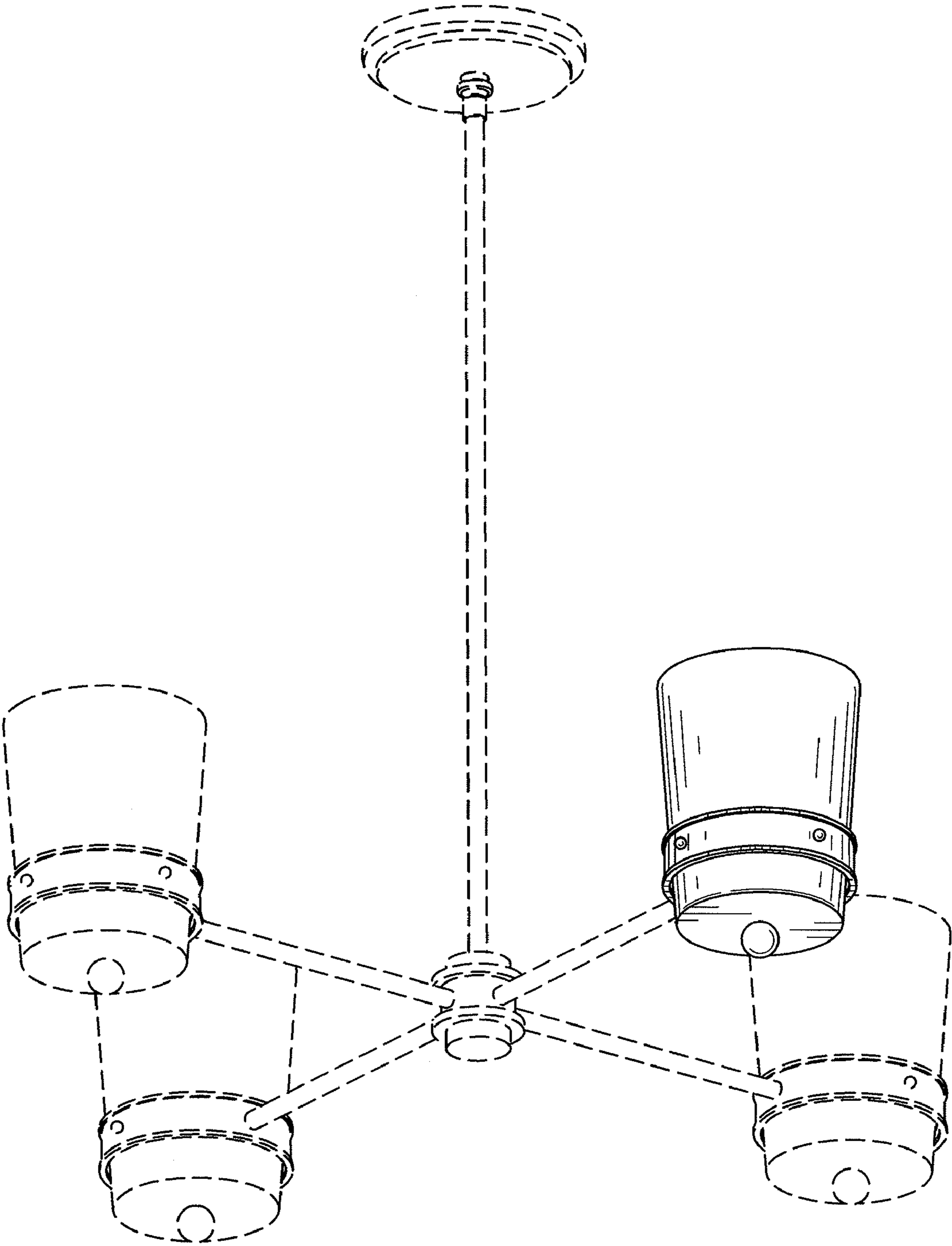


FIG. 6

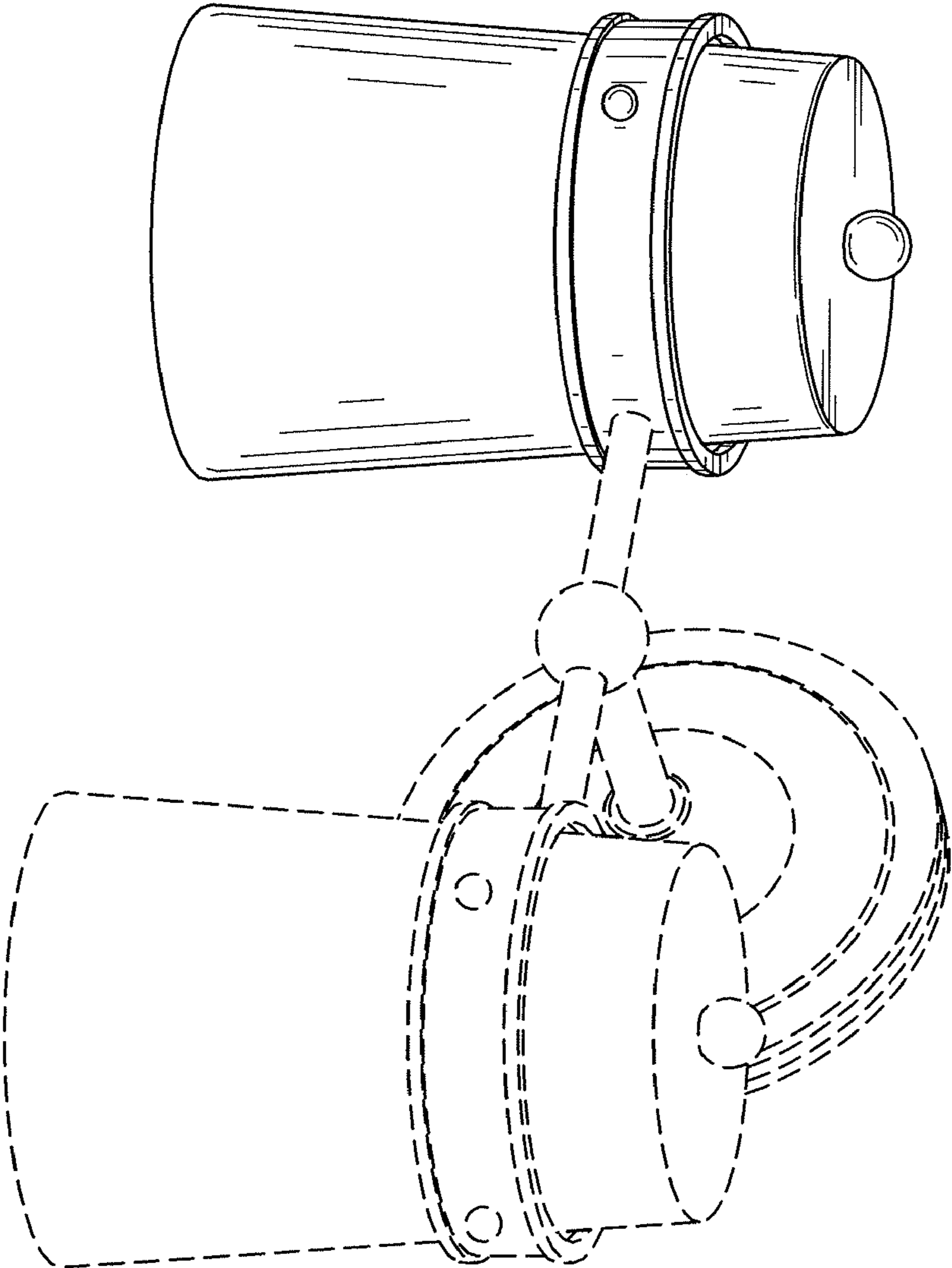


FIG. 7