



US00D577146S

(12) **United States Design Patent**
Haugaard et al.

(10) **Patent No.:** **US D577,146 S**

(45) **Date of Patent:** **** Sep. 16, 2008**

(54) **WALL-MOUNT LIGHTING FIXTURE**

(75) Inventors: **Eric J. Haugaard**, Kenosha, WI (US);
Kurt S. Wilcox, Libertyville, IL (US)

(73) Assignee: **Ruud Lighting, Inc.**, Racine, WI (US)

(**) Term: **14 Years**

(21) Appl. No.: **29/269,340**

(22) Filed: **Nov. 29, 2006**

(51) **LOC (8) Cl.** **26-99**

(52) **U.S. Cl.** **D26/118**

(58) **Field of Classification Search** D26/152,
D26/85, 118, 138, 154, 67, 60, 64, 137, 120,
D26/22, 26, 62, 72, 73, 79, 88, 93, 113, 119,
D26/123, 124, 128, 135, 153, 142, 149, 65,
D26/63, 2; 362/94, 145, 147, 151, 171, 178,
362/182, 647, 649, 650, 651, 351, 356, 359,
362/363, 403, 404, 405, 407, 410

See application file for complete search history.

(56) **References Cited**

U.S. PATENT DOCUMENTS

D59,788 S *	11/1921	Schwartz et al.	D26/128
D96,270 S *	7/1935	Miller	D26/128
D110,164 S *	6/1938	Arenberg	D26/24
D110,255 S *	6/1938	Nemeroff	D26/128
2,732,484 A *	1/1956	Lipscomb	362/218
D190,386 S *	5/1961	Schreckengost	D26/122
D190,759 S *	6/1961	Schreckengost	D26/128
D201,199 S *	5/1965	Van Steenhoven	D26/85
D203,060 S *	11/1965	Schaefer	D26/76
3,358,133 A	12/1967	Thoman et al.		
3,745,326 A	7/1973	Hernandez		
3,755,665 A	8/1973	Grindle		
3,997,778 A	12/1976	Fieldstad, Jr. et al.		
4,538,217 A	8/1985	Ewing et al.		
4,602,320 A *	7/1986	Tomkin et al.	362/503

D300,669 S	4/1989	Russello et al.		
D308,260 S *	5/1990	Shemitz	D26/85
D312,842 S *	12/1990	Younger et al.	D20/42
5,047,908 A	9/1991	Dixon et al.		
D456,928 S *	5/2002	Russello et al.	D26/85
6,422,709 B1	7/2002	Panagiotou		
D468,046 S *	12/2002	Bernard et al.	D26/85
D494,701 S *	8/2004	Campbell	D26/85
6,793,375 B2	9/2004	Anderson		
D502,283 S	2/2005	Haugaard et al.		
6,905,222 B1	6/2005	Russello et al.		
6,964,506 B2	11/2005	Sara et al.		

* cited by examiner

Primary Examiner—Freda S. Nunn

Assistant Examiner—Kevin K Rudzinski

(74) *Attorney, Agent, or Firm*—Jansson Shupe & Munger Ltd.

(57) **CLAIM**

The ornamental design for the wall-mount lighting fixture, as shown and described.

DESCRIPTION

FIG. 1 is a bottom perspective view of the wall-mount lighting fixture.

FIG. 2 is a top perspective view of the lighting fixture of FIG. 1.

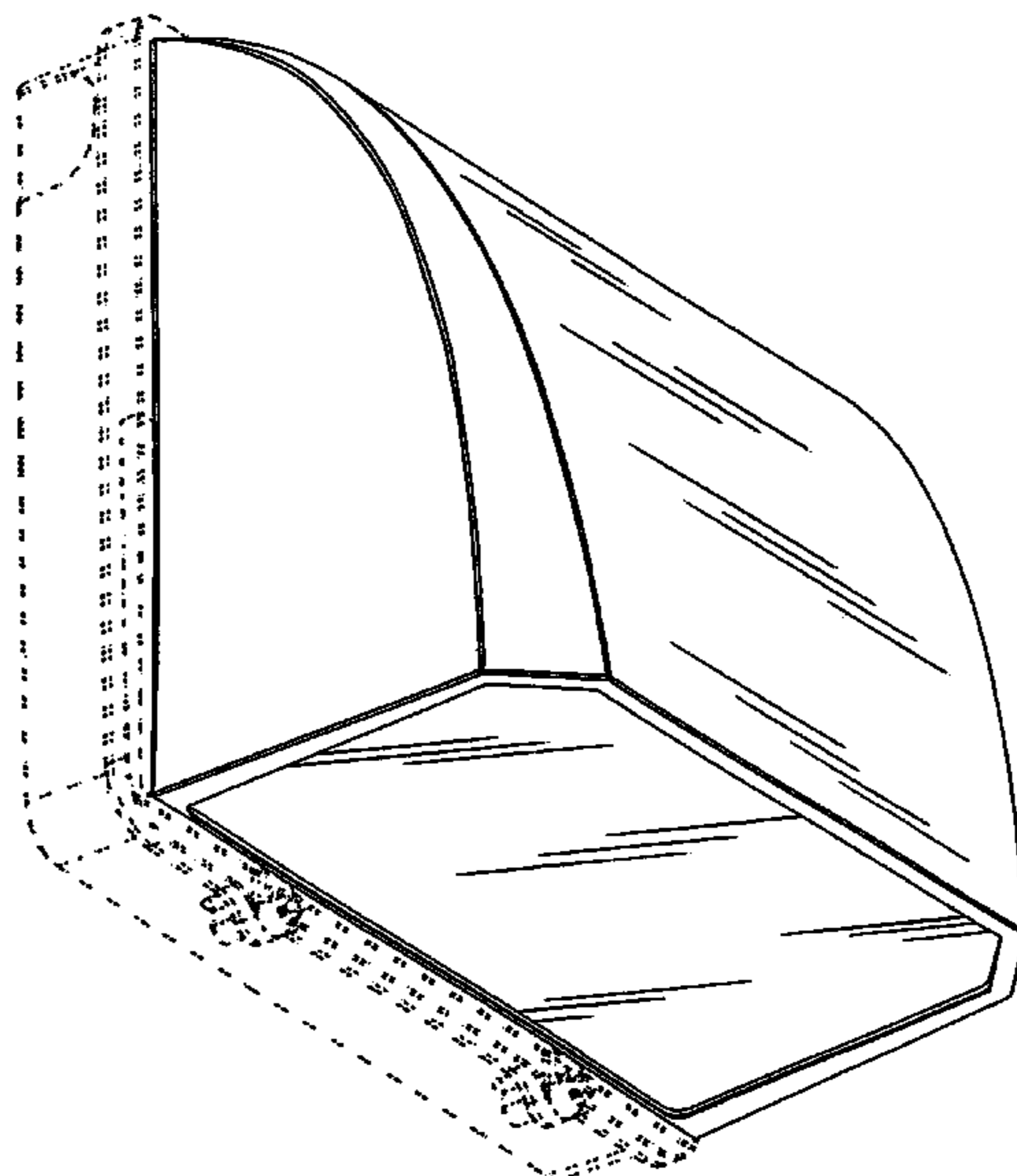
FIG. 3 is a right side elevation view of the lighting fixture of FIG. 1, the left side elevation being a mirror image.

FIG. 4 is a front elevation view of the lighting fixture of FIG. 1.

FIG. 5 is a top plan view of the lighting fixture of FIG. 1; and, FIG. 6 is a bottom plan view of the lighting fixture of FIG. 1.

The broken lines are provided for illustrative purposes only and form no part of the claimed design.

1 Claim, 6 Drawing Sheets



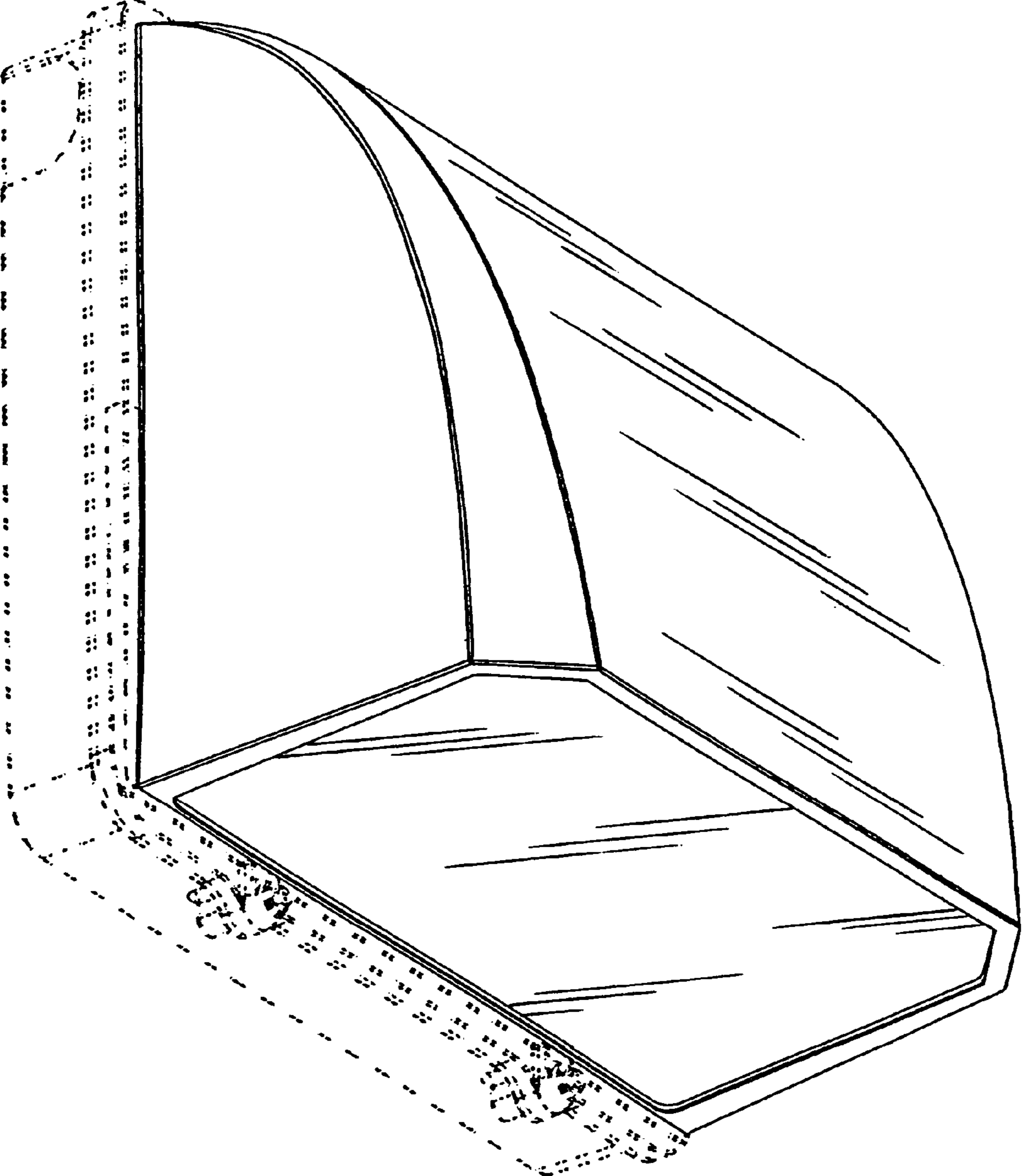


FIG. 1

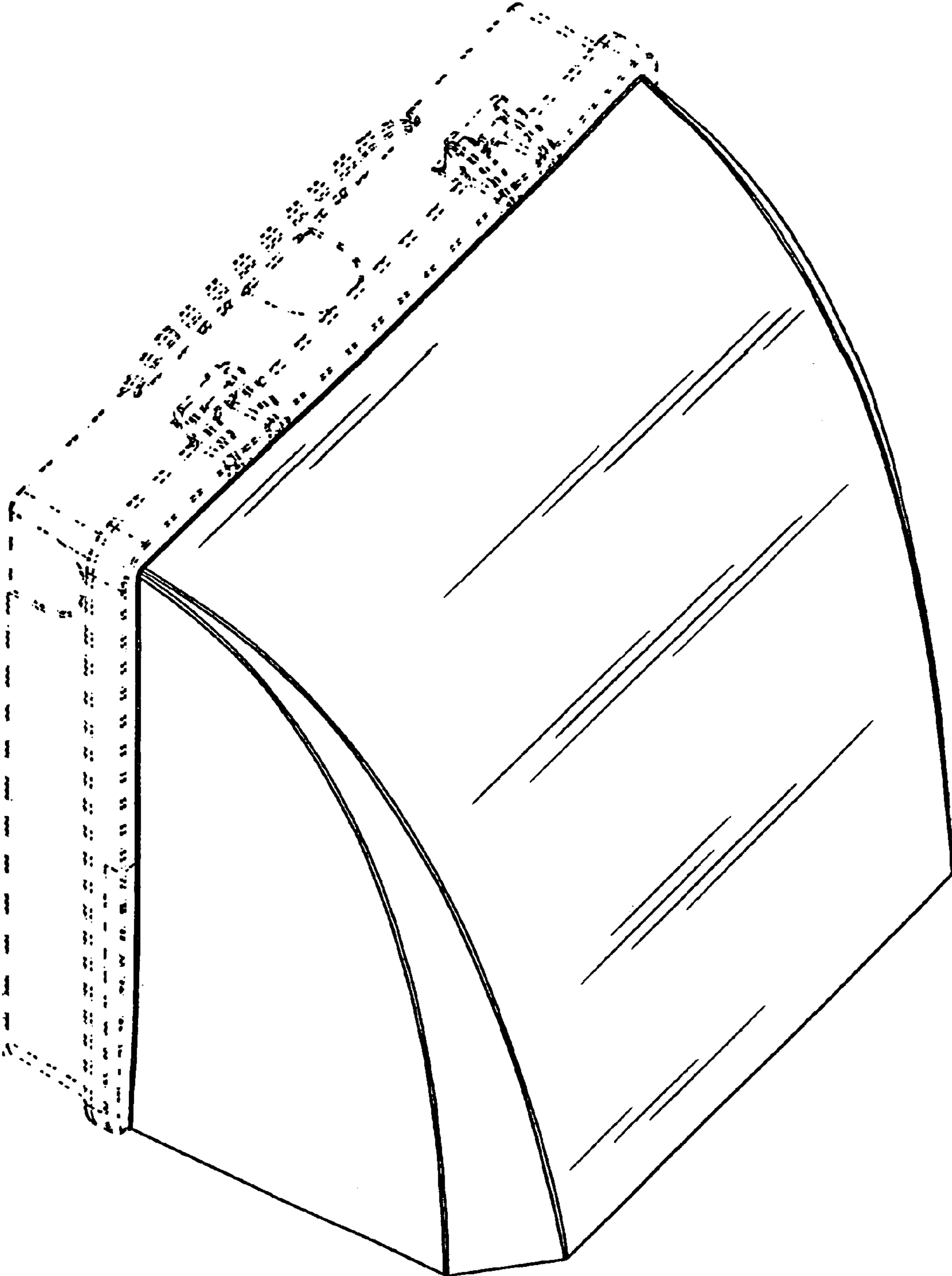


FIG. 2

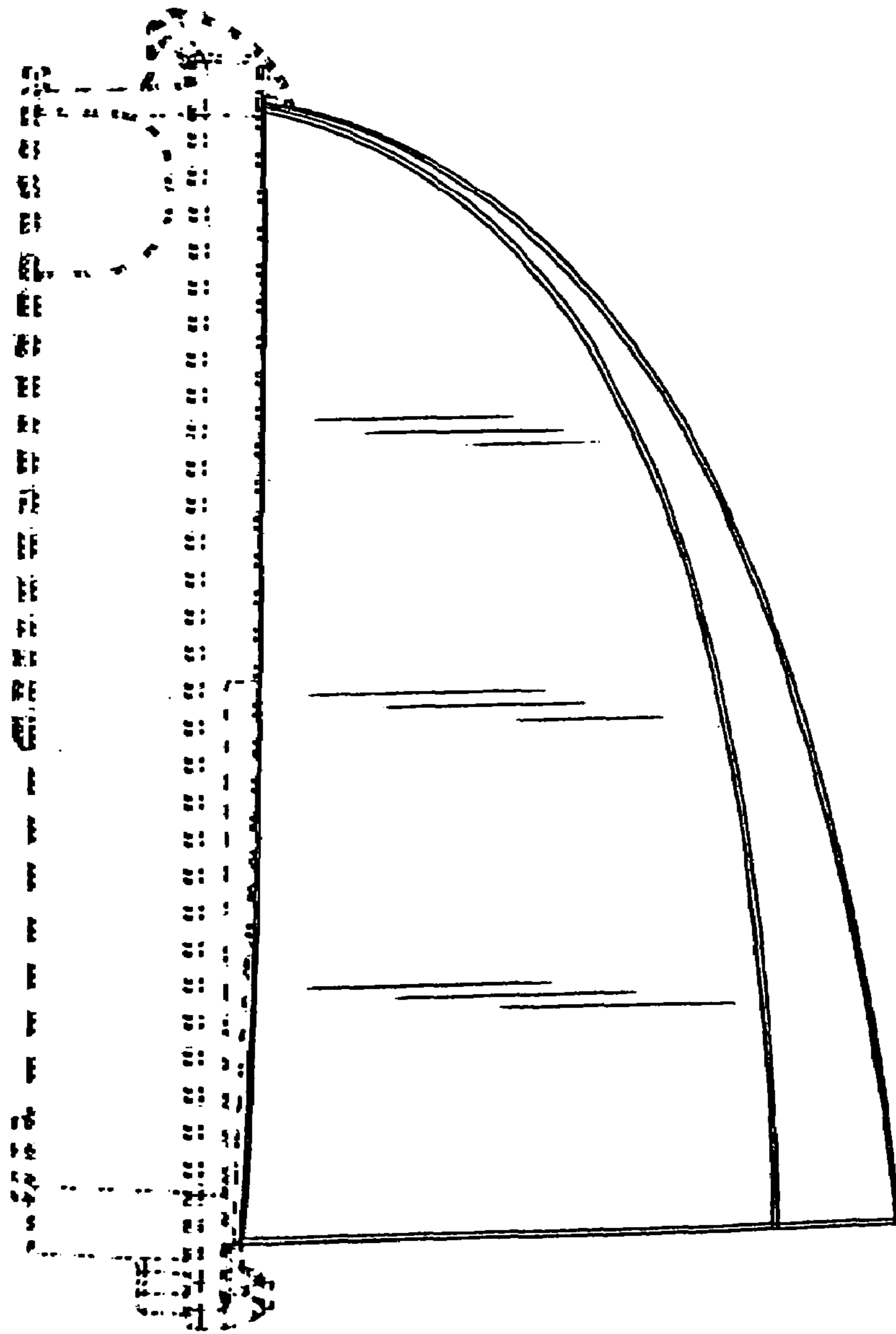


FIG. 3

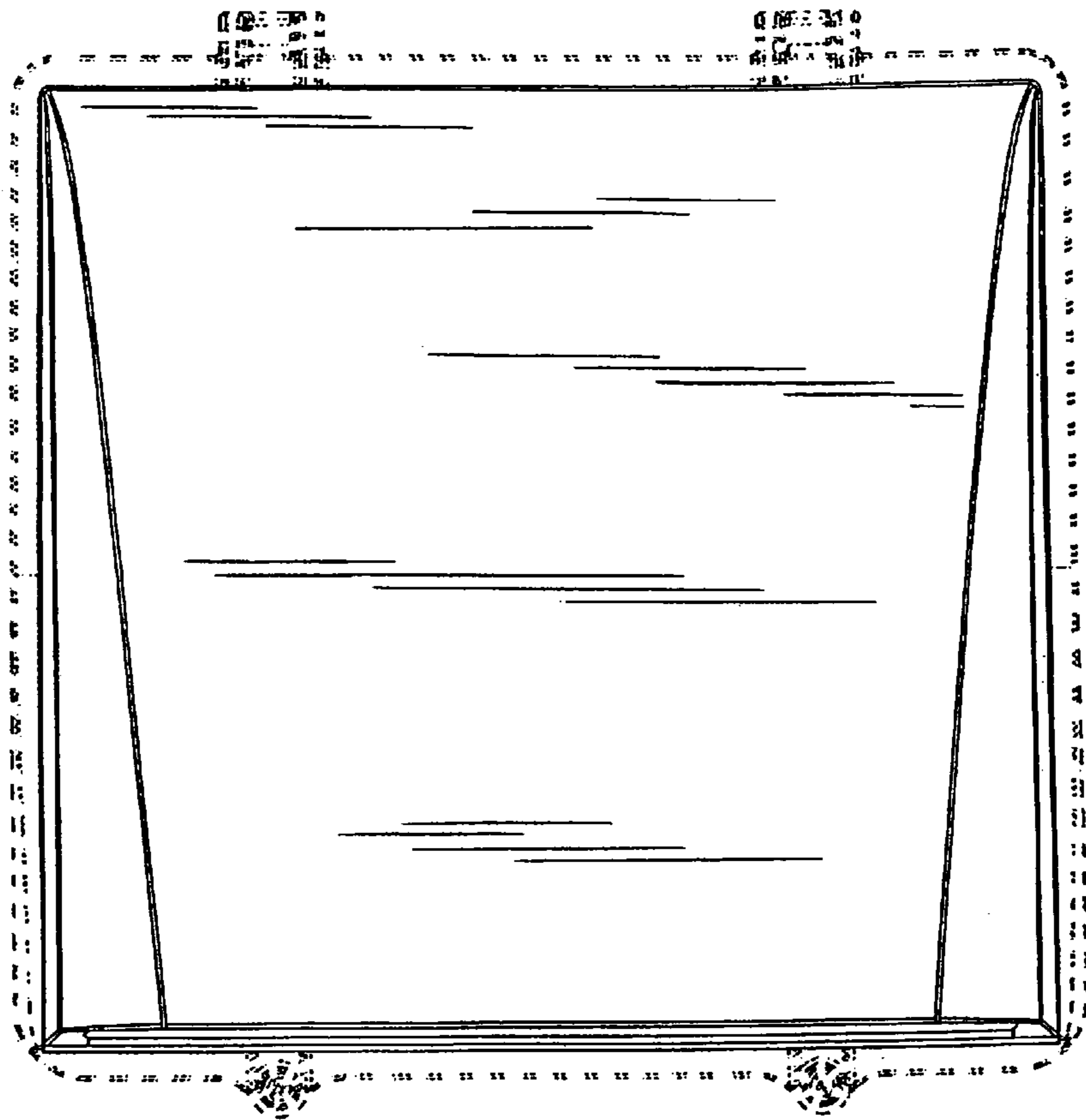


FIG. 4



FIG. 5

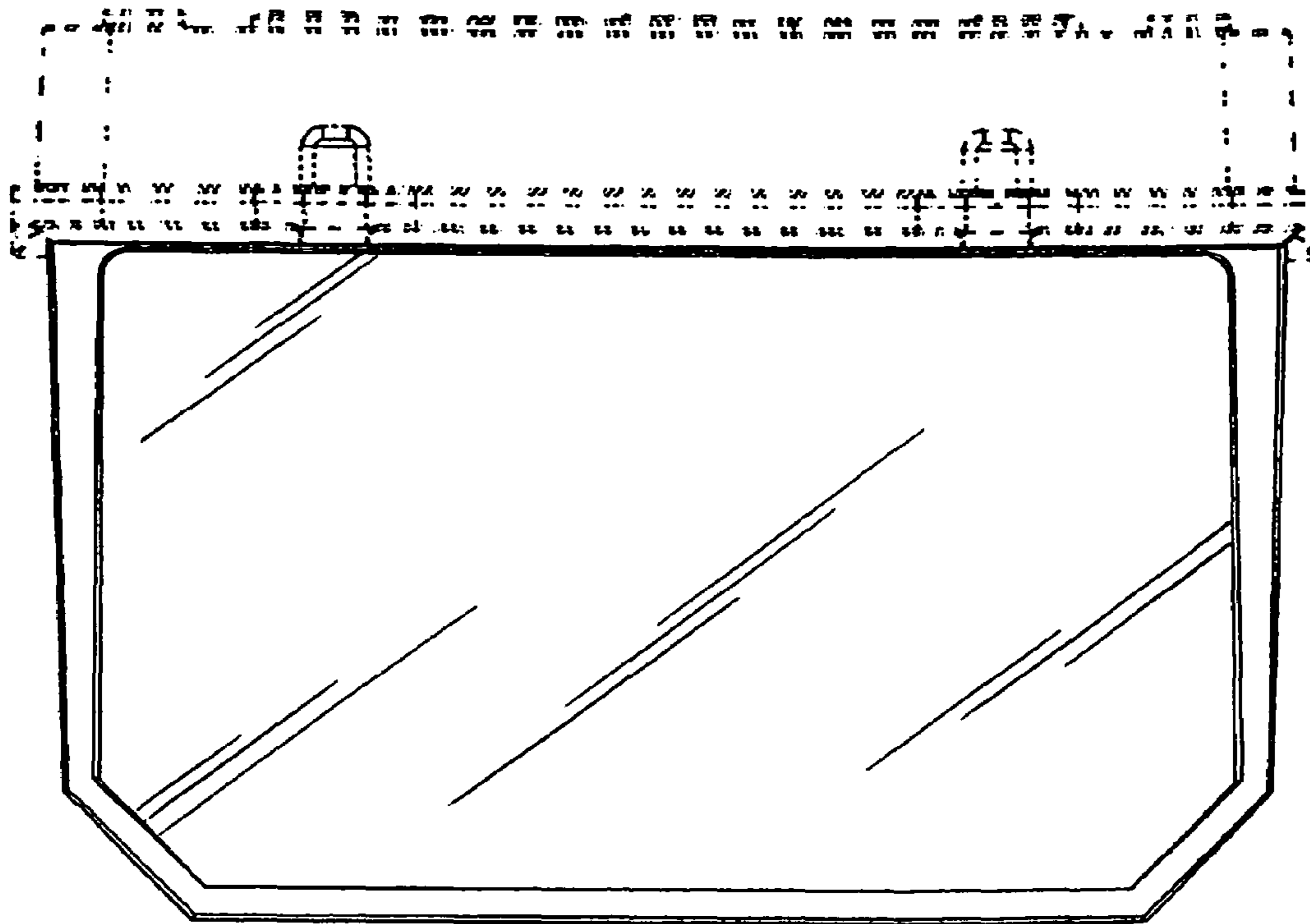


FIG. 6