



US00D577143S

(12) **United States Design Patent**
Lu

(10) **Patent No.:** **US D577,143 S**
(45) **Date of Patent:** **** Sep. 16, 2008**

(54) **CABINET LIGHT**

D565,217 S * 3/2008 Yen et al. D26/38

(76) Inventor: **Benson Ping-Shen Lu**, No. 99,
Chung-Shan South Rd., Kansan
Township, Kaohsiung County 820 (TW)

* cited by examiner

Primary Examiner—Clare E Heflin
(74) *Attorney, Agent, or Firm*—Ming Chow; Sinorica, LLC

(**) Term: **14 Years**

(57) **CLAIM**

(21) Appl. No.: **29/306,963**

I claim the ornamental design for a cabinet light, as shown and described.

(22) Filed: **Apr. 19, 2008**

(51) **LOC (8) Cl.** **26-05**

(52) **U.S. Cl.** **D26/72; D26/37**

(58) **Field of Classification Search** D26/1,
D26/2, 24, 76–78, 80, 86, 37, 72; D13/182;
362/100, 127, 133, 240, 605, 612, 613, 640,
362/646, 648

See application file for complete search history.

DESCRIPTION

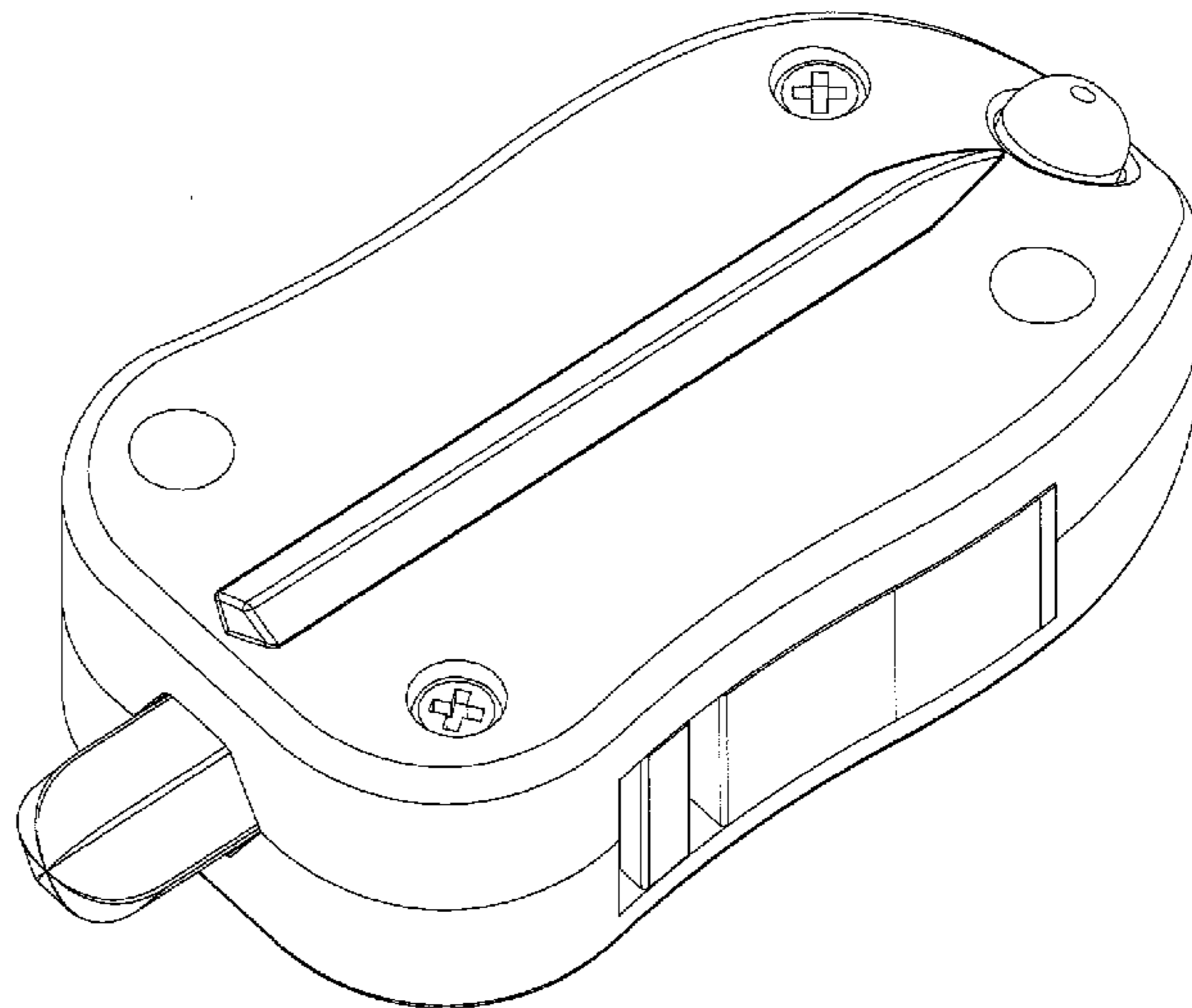
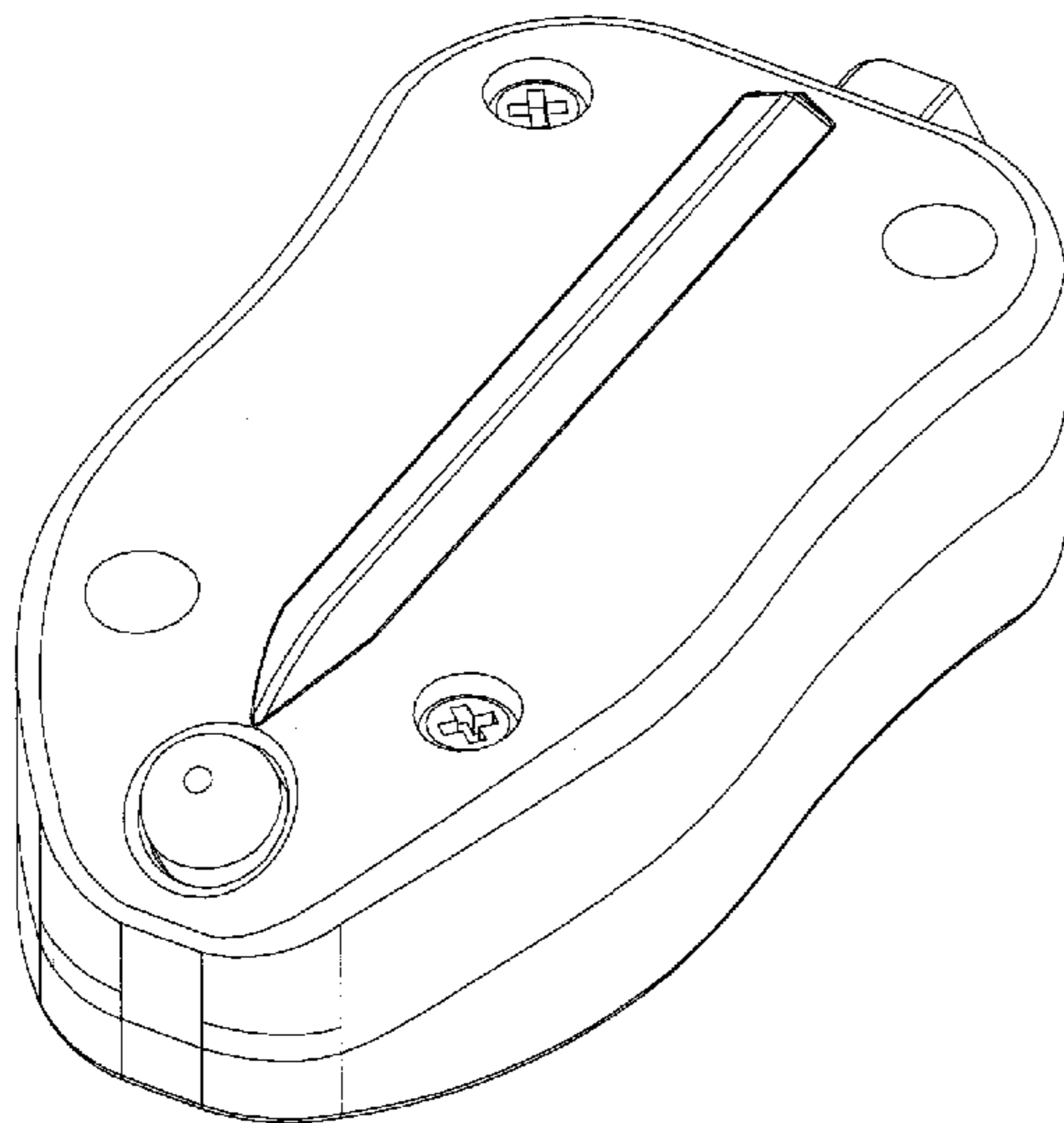
FIG. 1 is a perspective view of the cabinet light in this design;
FIG. 2 is a front view of the cabinet light in this design;
FIG. 3 is a rear view of the cabinet light in this design;
FIG. 4 is a left side view of the cabinet light in this design;
FIG. 5 is a right side view of the cabinet light in this design;
FIG. 6 is an upper view of the cabinet light in this design;
FIG. 7 is a bottom view of the cabinet light in this design;
FIG. 8 is a perspective view of the cabinet light with the power
button in the OFF position; and,
FIG. 9 is a perspective view of the cabinet light with the power
button in the ON position.

(56) **References Cited**

U.S. PATENT DOCUMENTS

D162,323 S *	3/1951	Lightfoot	D26/72
D440,673 S *	4/2001	Handsaker	D26/24
6,905,231 B2 *	6/2005	Dickie	362/271
D507,369 S *	7/2005	Waters	D26/37
D546,989 S *	7/2007	Chun	D26/37
D565,216 S *	3/2008	Markell	D26/37

1 Claim, 9 Drawing Sheets



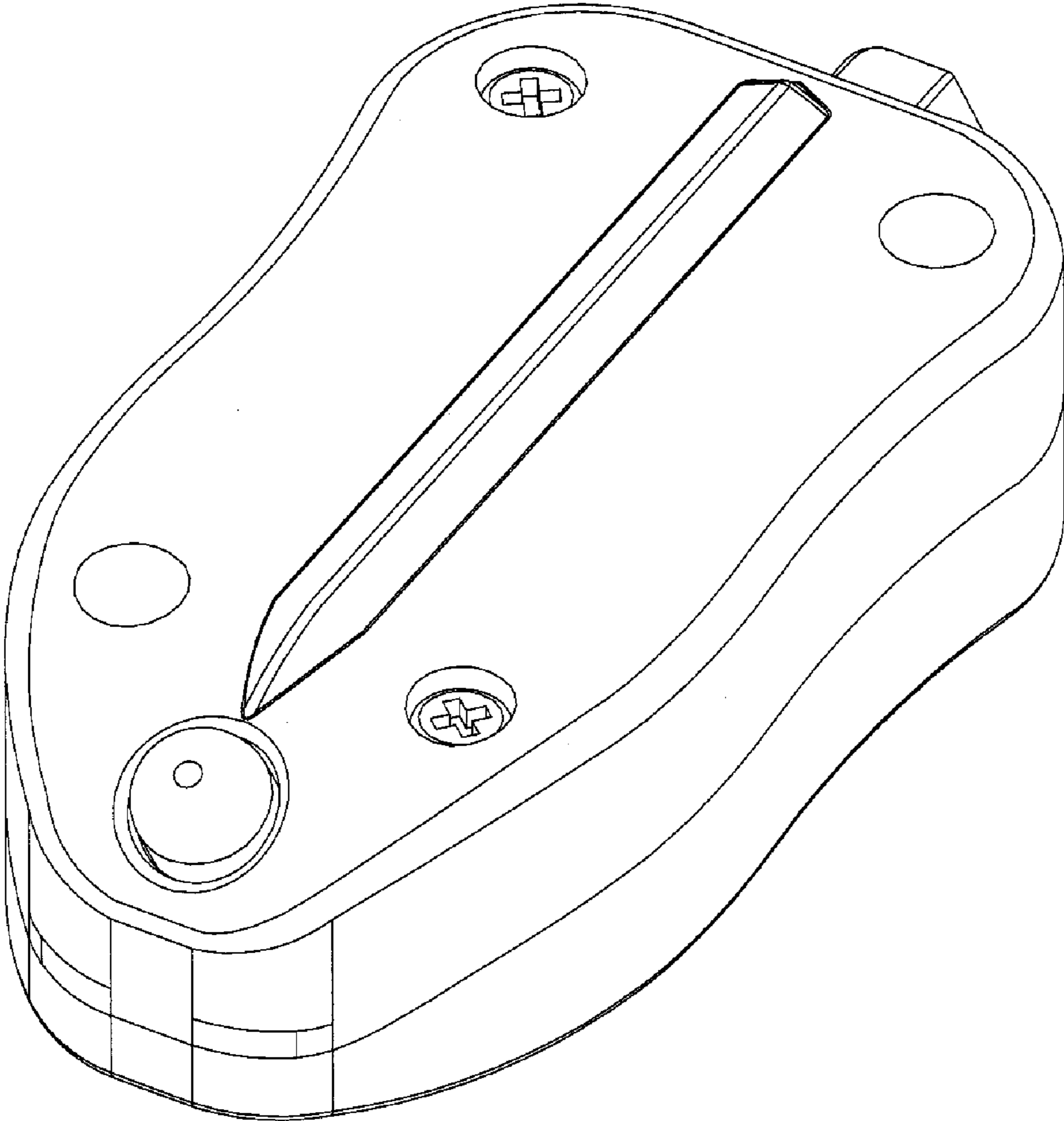


Fig. 1

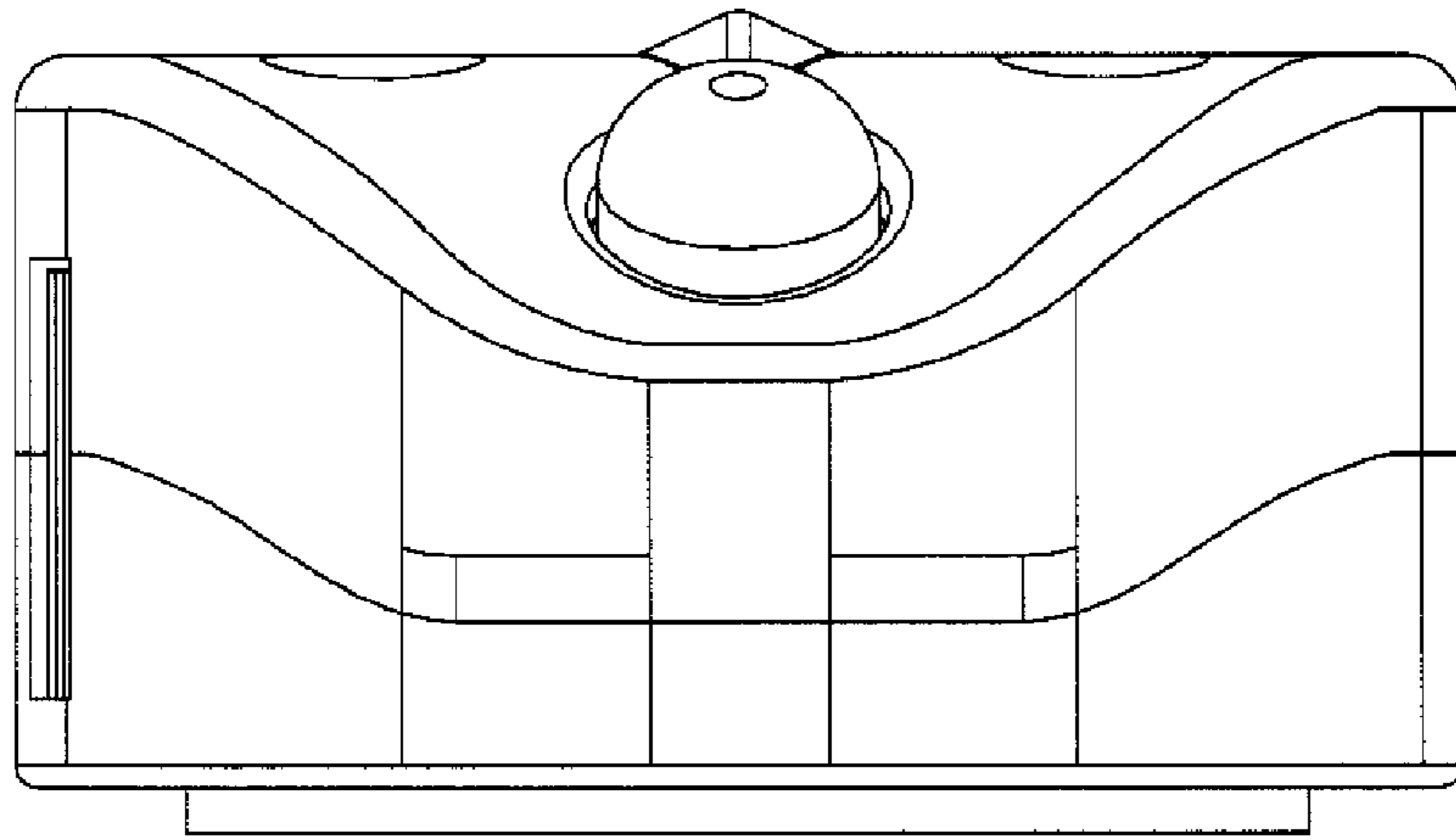


Fig. 2

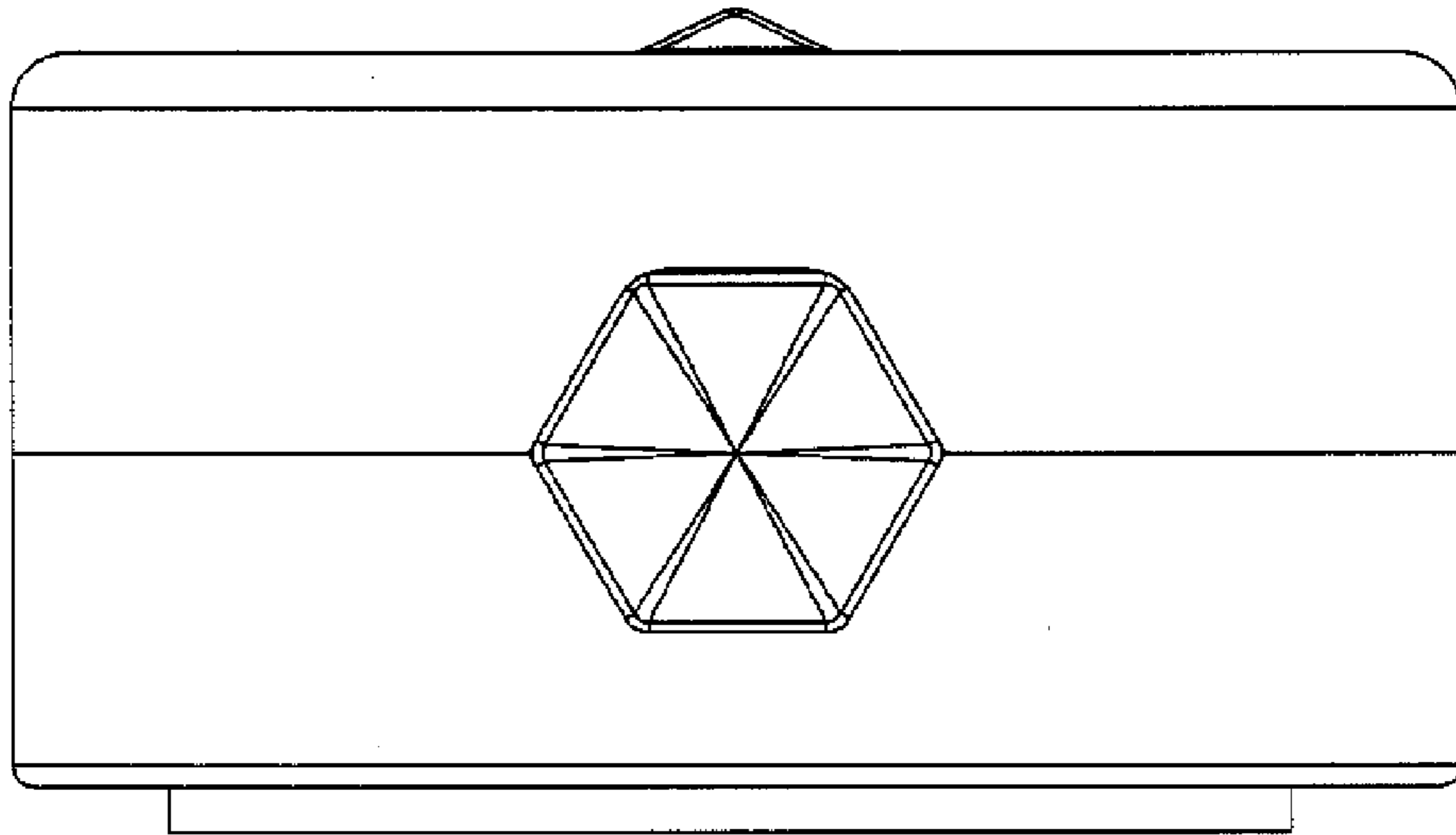


Fig. 3

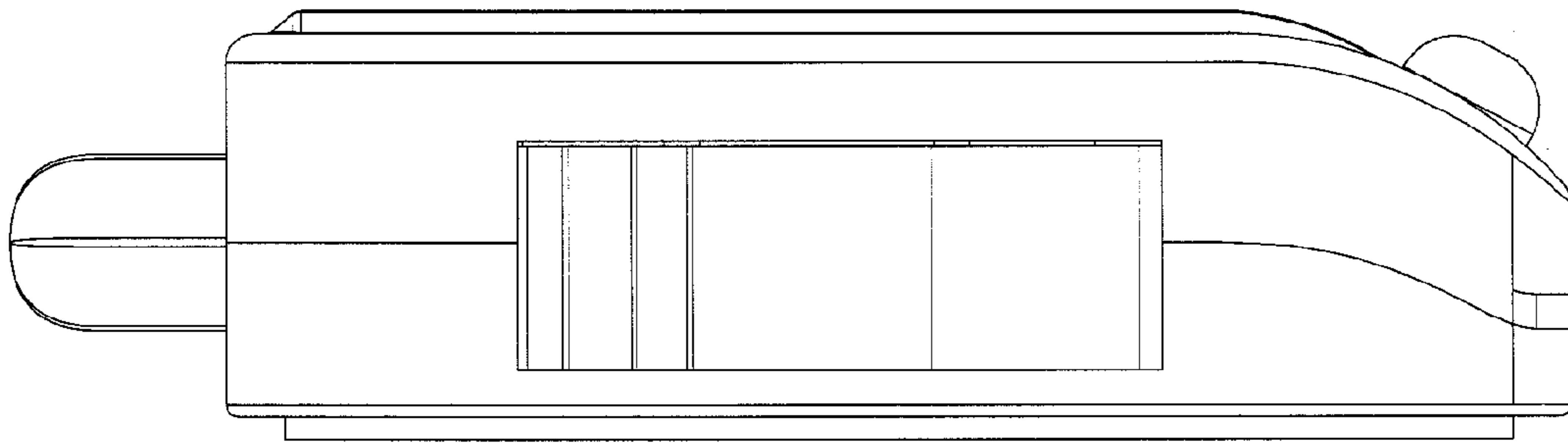


Fig. 4

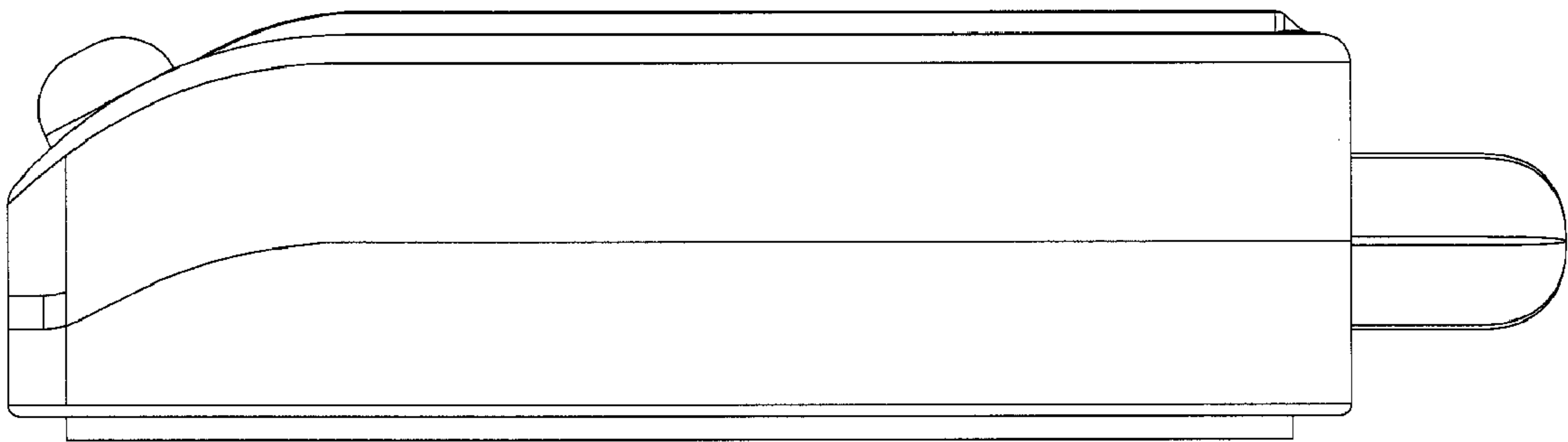


Fig. 5

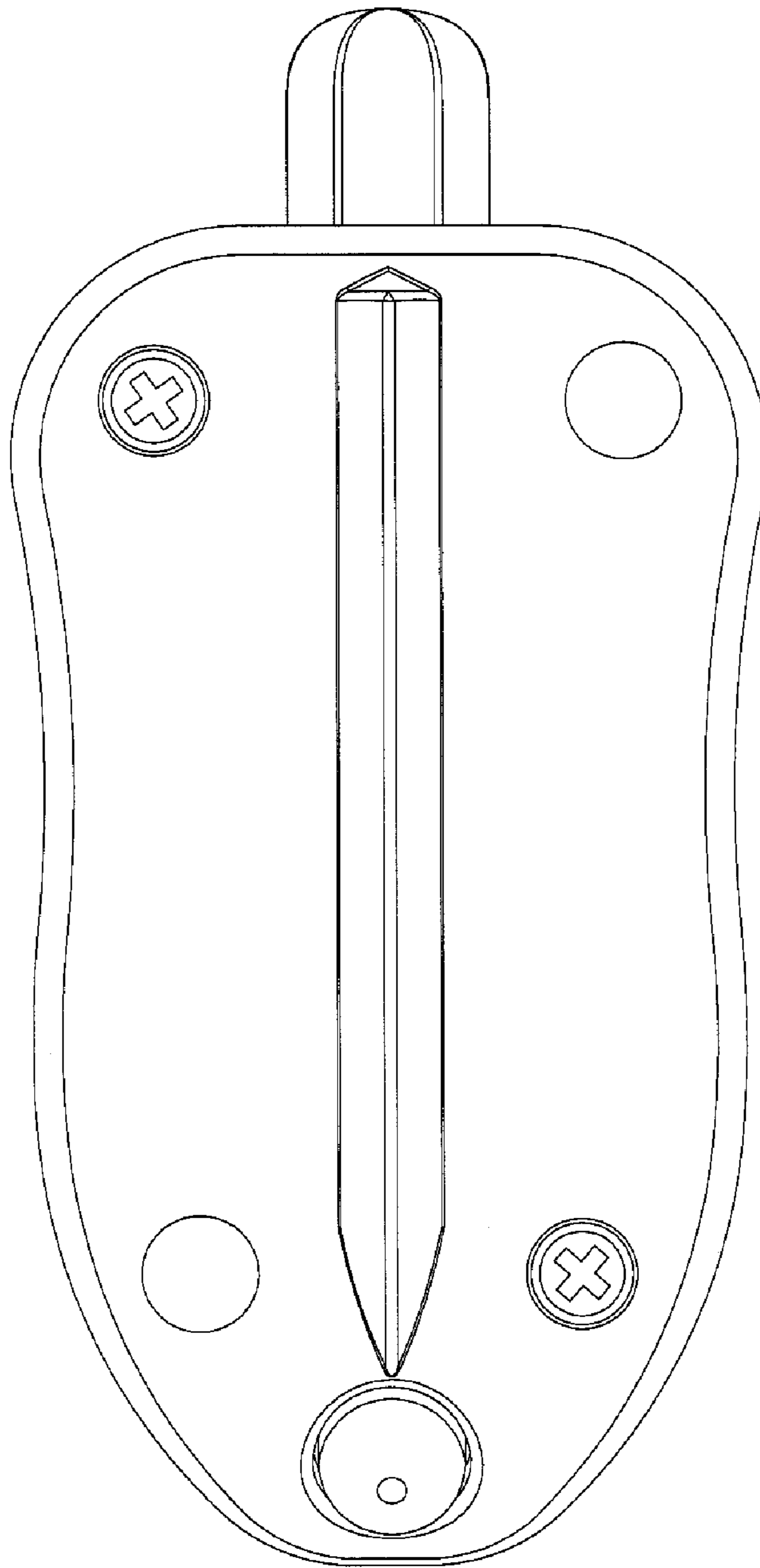


Fig. 6

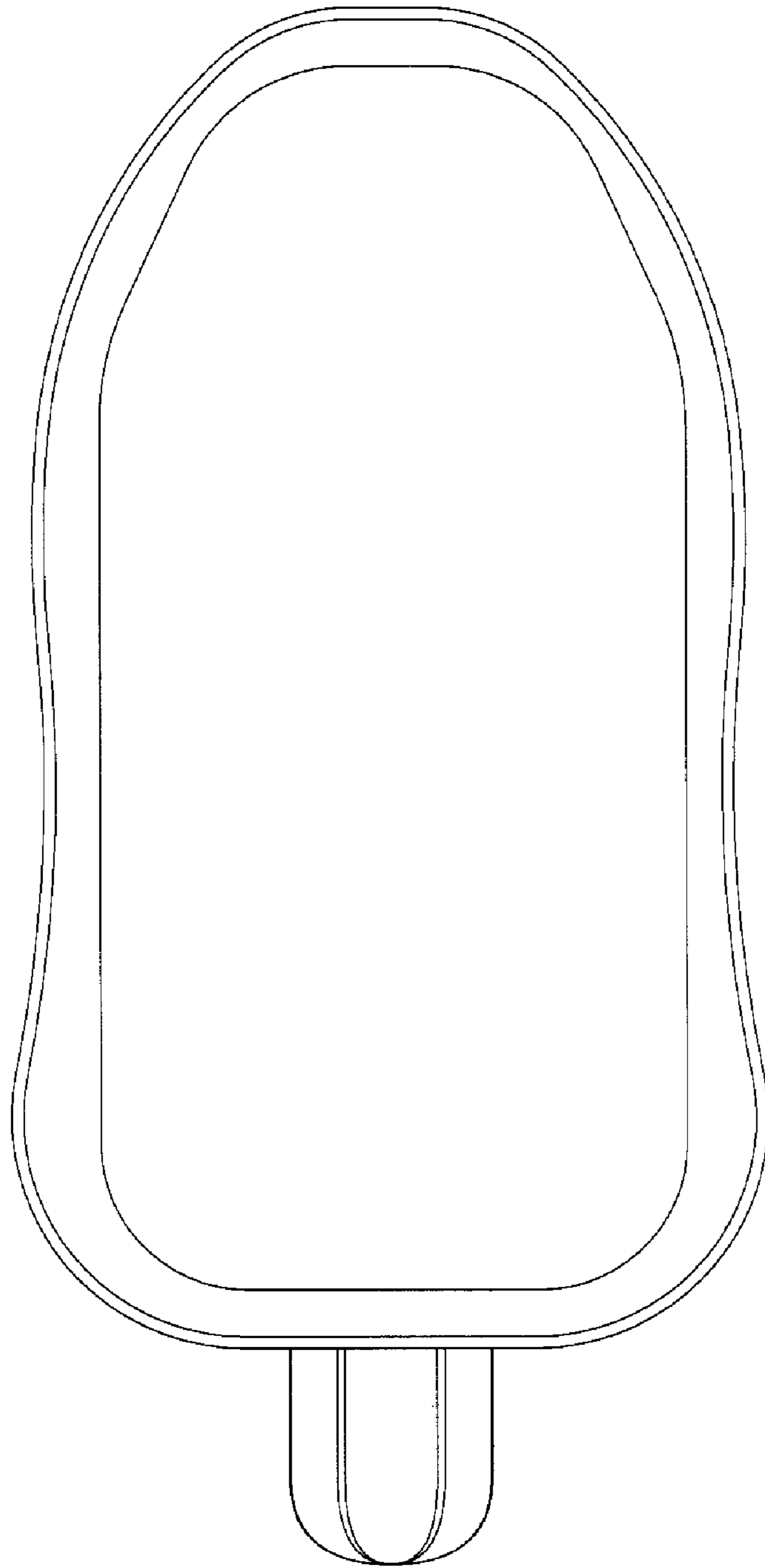


Fig. 7

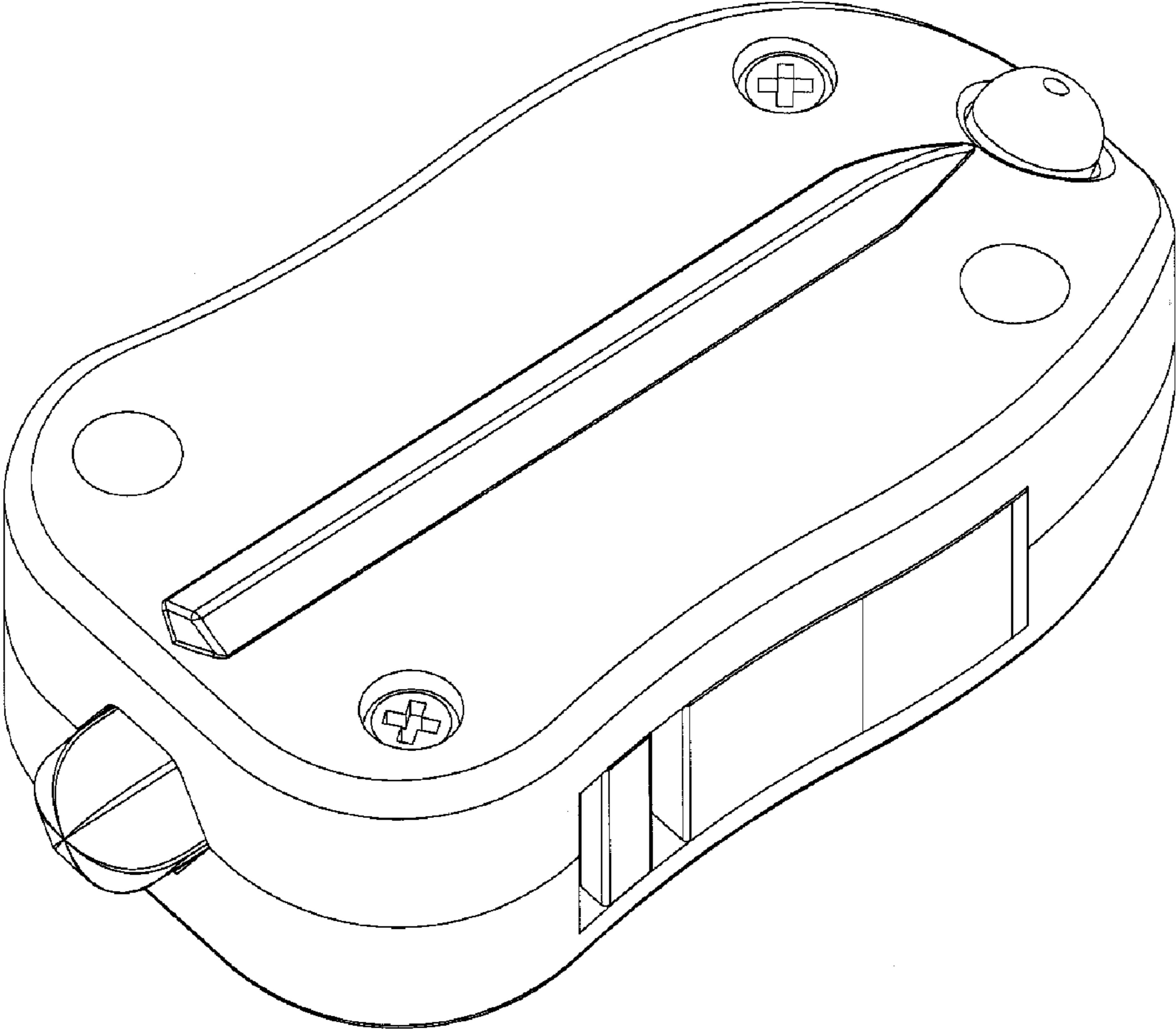


Fig. 8

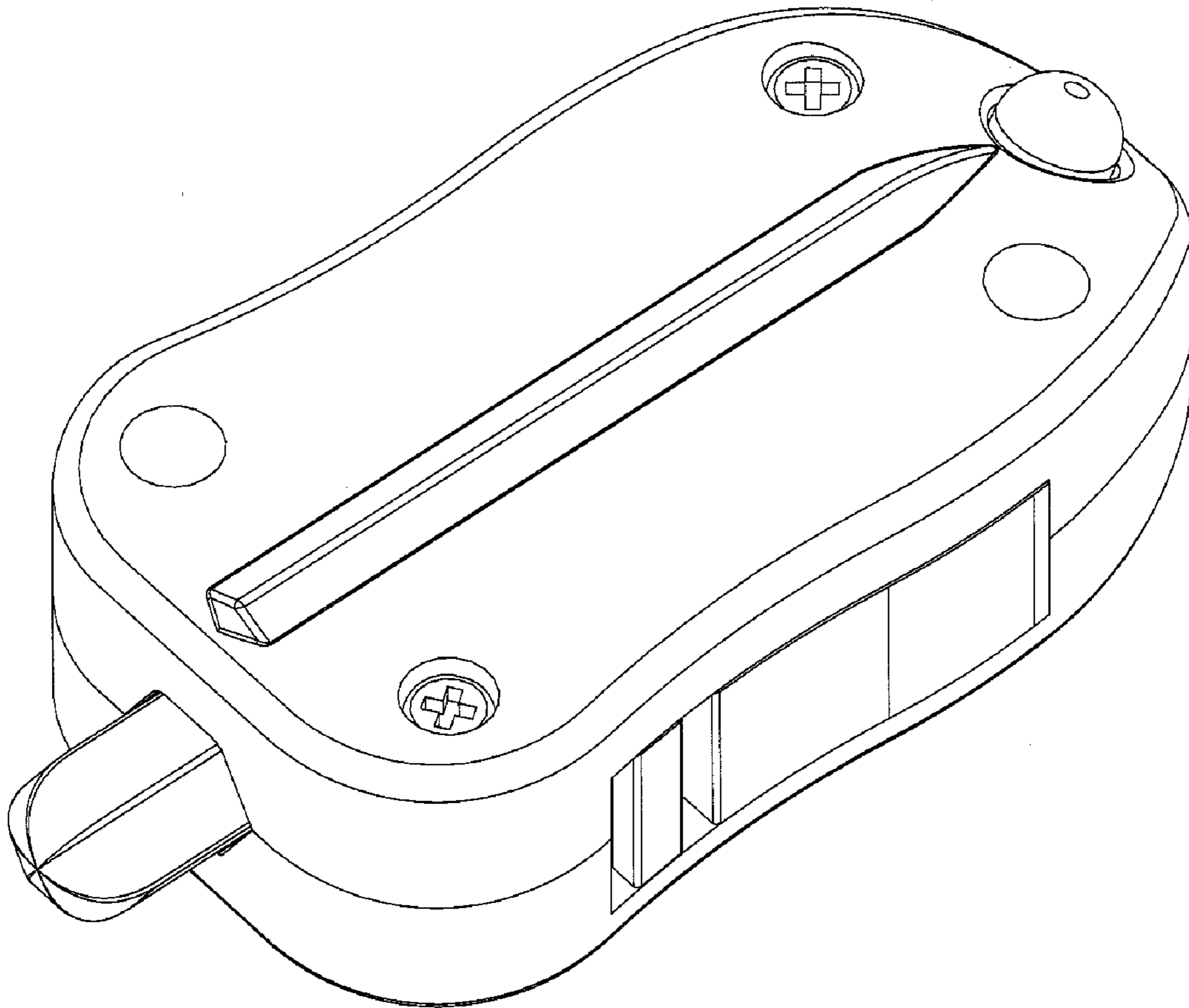


Fig. 9