



US00D577142S

(12) **United States Design Patent**
Kovacik et al.

(10) **Patent No.:** **US D577,142 S**
(45) **Date of Patent:** **** Sep. 16, 2008**

(54) **UTILITY LAMP FOR USE WITH INTERCHANGEABLE BASE**

D515,233 S * 2/2006 Miranda D26/87
D557,438 S * 12/2007 Hsu D26/83

(75) Inventors: **James D. Kovacik**, Brecksville, OH (US); **Paul S. Blanch**, Broadview Heights, OH (US)

* cited by examiner

Primary Examiner—Cathron Brooks
Assistant Examiner—Barbara Fox

(73) Assignee: **Alert Safety Lite Products Co., Inc.**, Bedford Heights, OH (US)

(74) *Attorney, Agent, or Firm*—Fraser Clemens Martin & Miller LLC; Willaim J. Clemens

(**) Term: **14 Years**

(57) **CLAIM**

(21) Appl. No.: **29/283,458**

The ornamental design for the utility lamp for use with interchangeable base, as shown.

(22) Filed: **Aug. 15, 2007**

DESCRIPTION

(51) **LOC (8) Cl.** **26-05**

(52) **U.S. Cl.** **D26/63**

(58) **Field of Classification Search** D26/60–66;
362/269, 270, 275, 282, 285, 286, 284, 290,
362/376, 427, 428, 429, 430
See application file for complete search history.

FIG. 1 is a front right side perspective view of a utility lamp for use with interchangeable base showing our new design; FIG. 2 is a front left side perspective view thereof; FIG. 3 is a left side elevation view thereof; FIG. 4 is a front elevation view thereof; FIG. 5 is a right side elevation view thereof; and, FIG. 6 is a rear elevation view thereof.

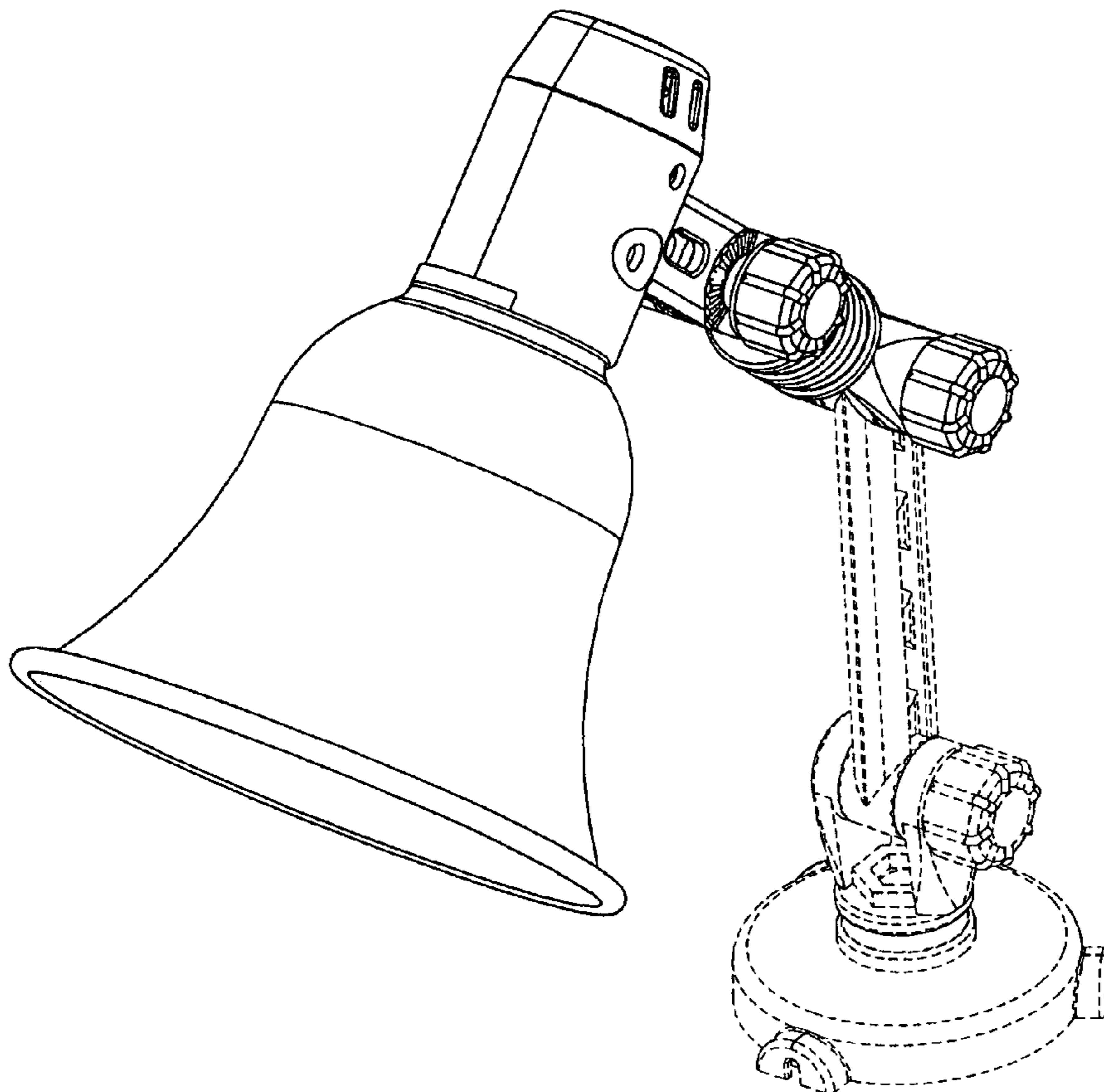
(56) **References Cited**

U.S. PATENT DOCUMENTS

D74,954 S * 4/1928 Swimmer D26/24
D475,799 S 6/2003 Kovacik et al.
6,592,241 B1 7/2003 Kovacik et al.
D478,392 S * 8/2003 Kovacik et al. D26/65

The broken lines in the drawings illustrate environmental structure and form no part of the claimed design.

1 Claim, 6 Drawing Sheets



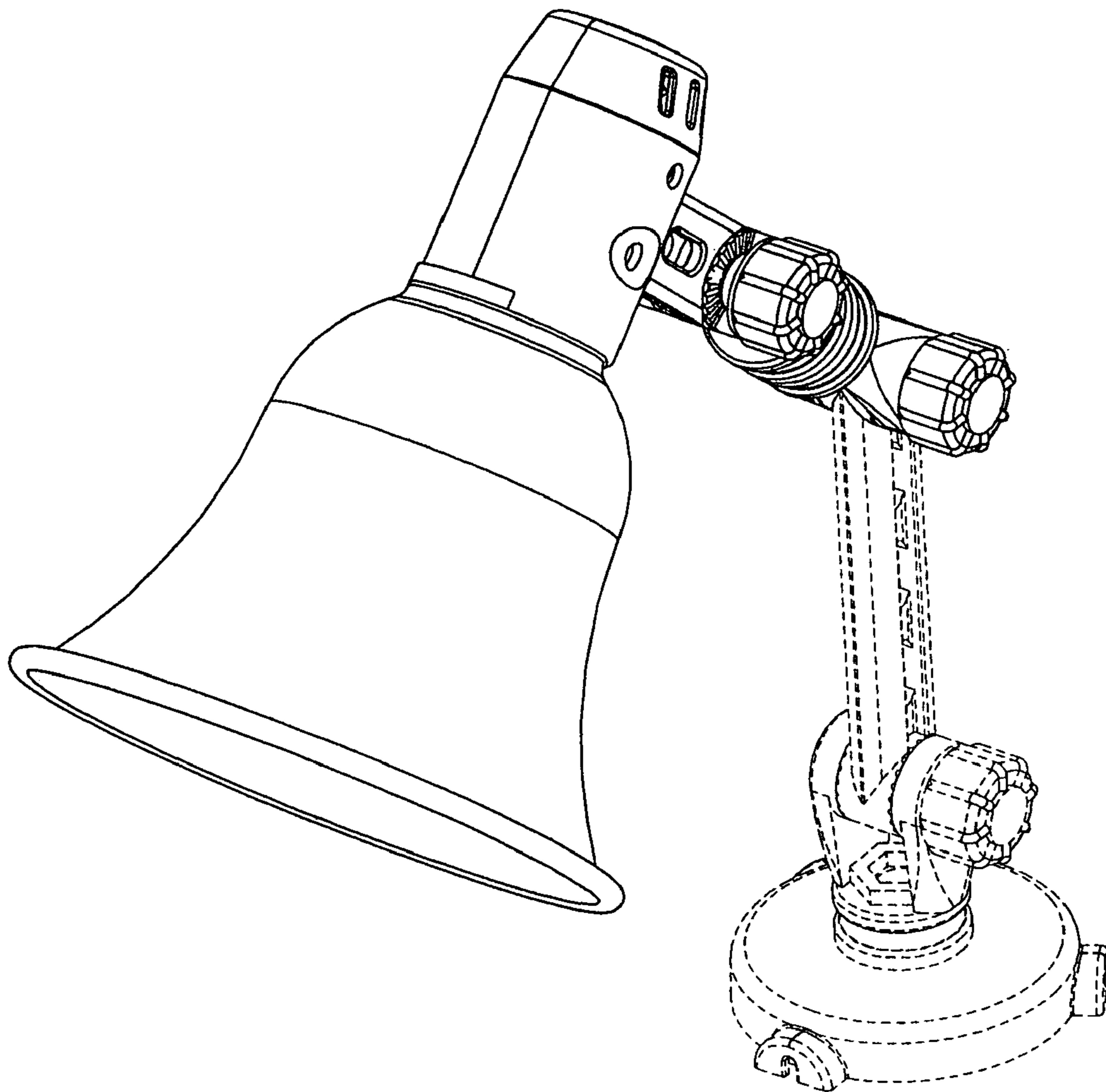


FIG - 1

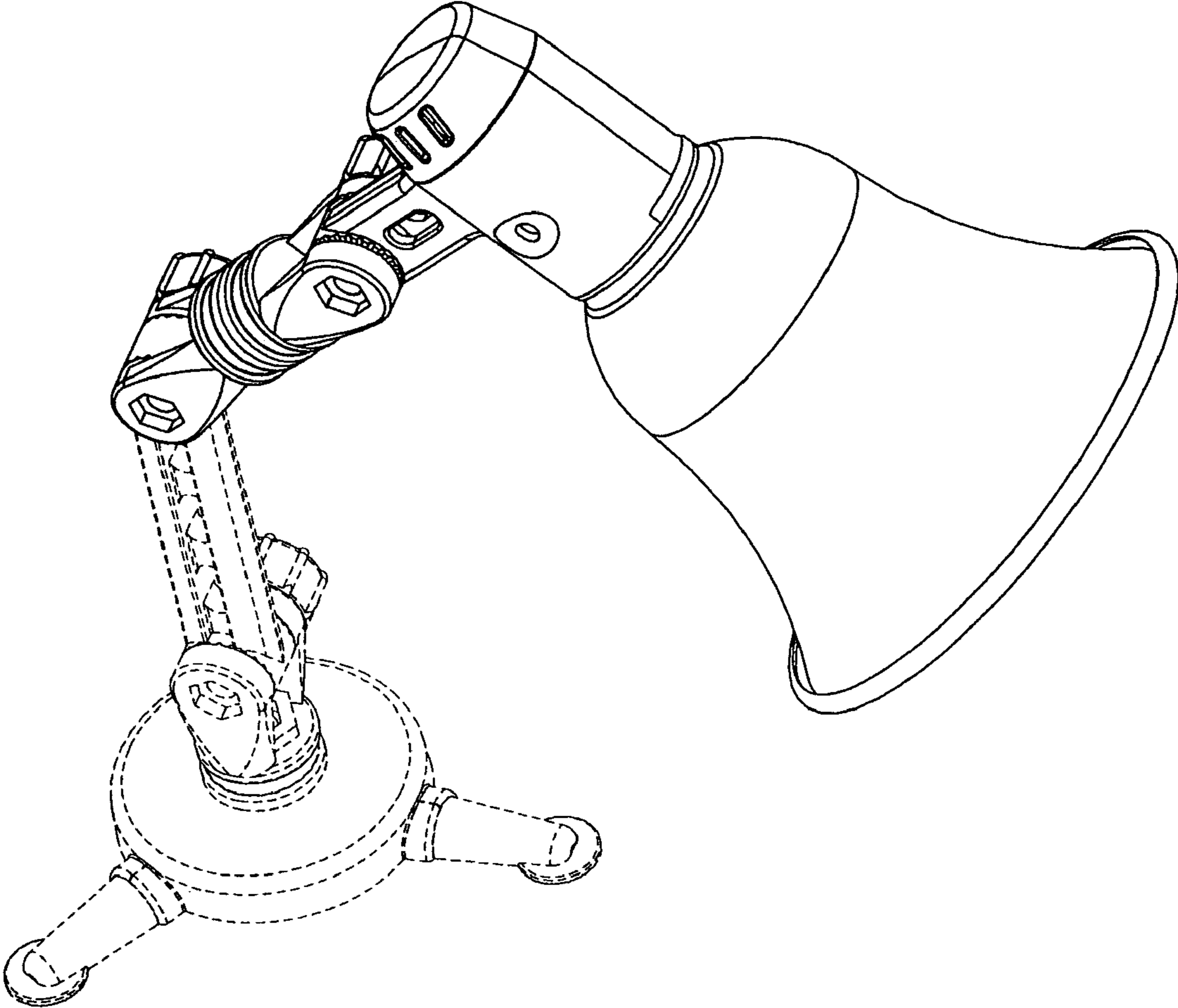


FIG - 2

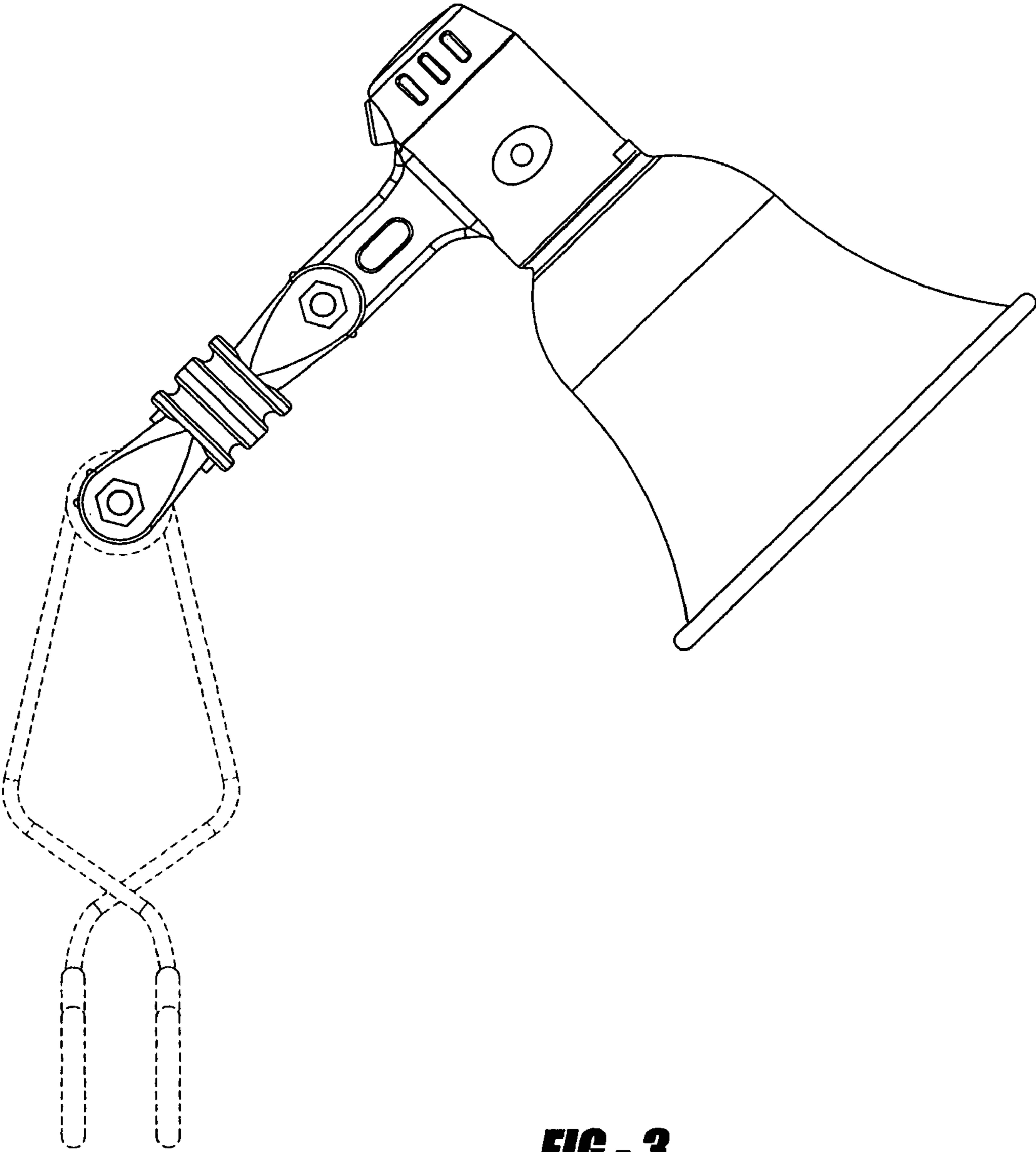


FIG - 3

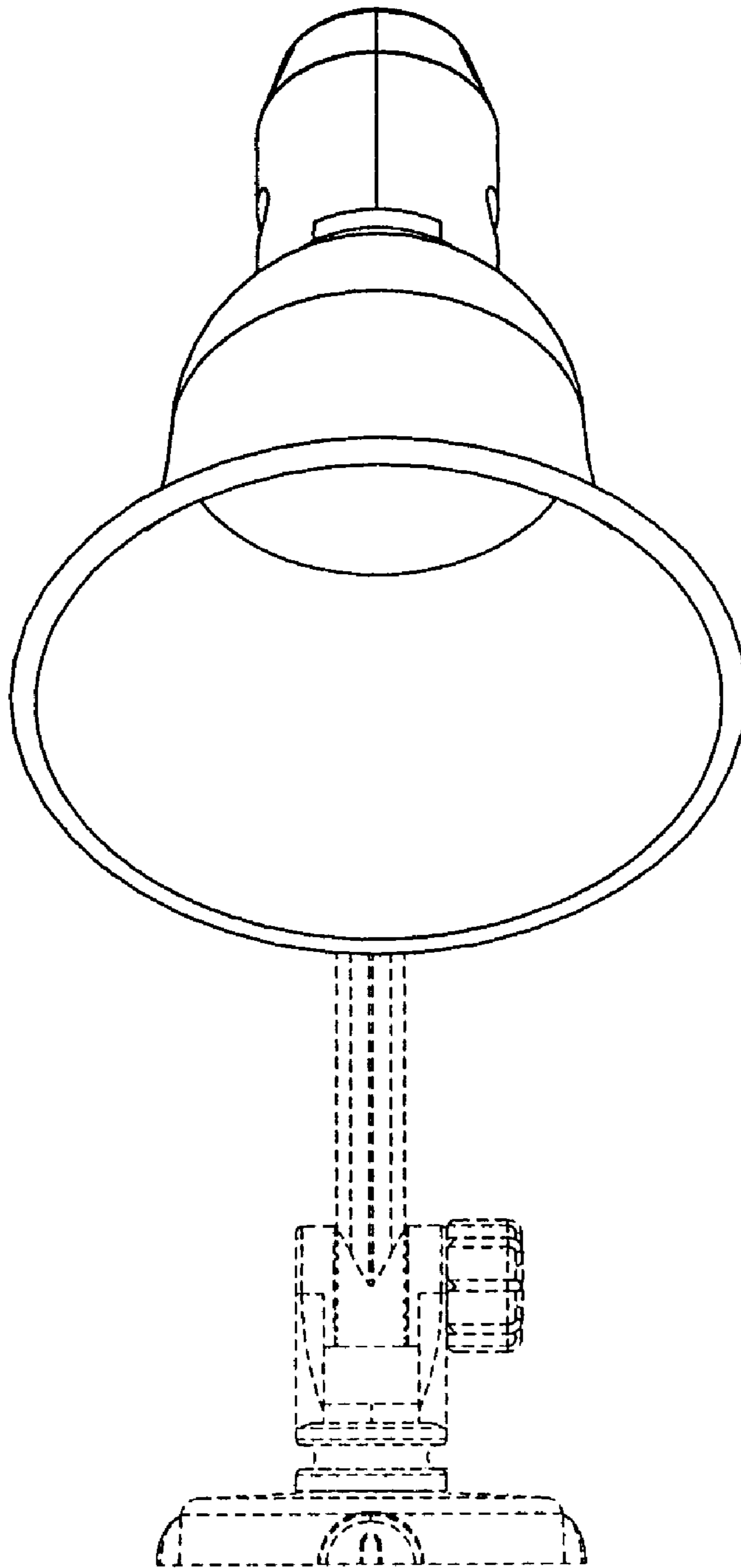


FIG - 4

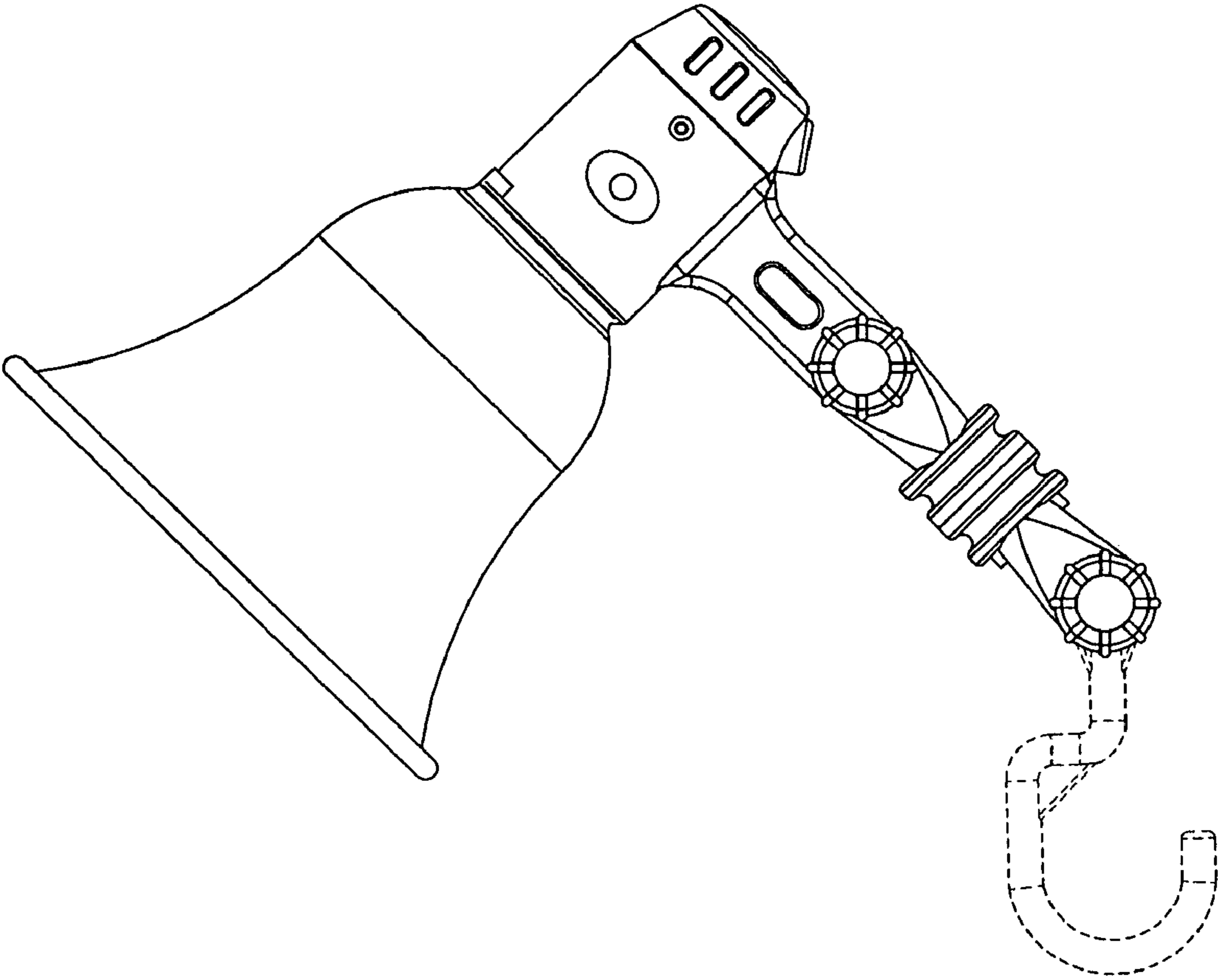


FIG - 5

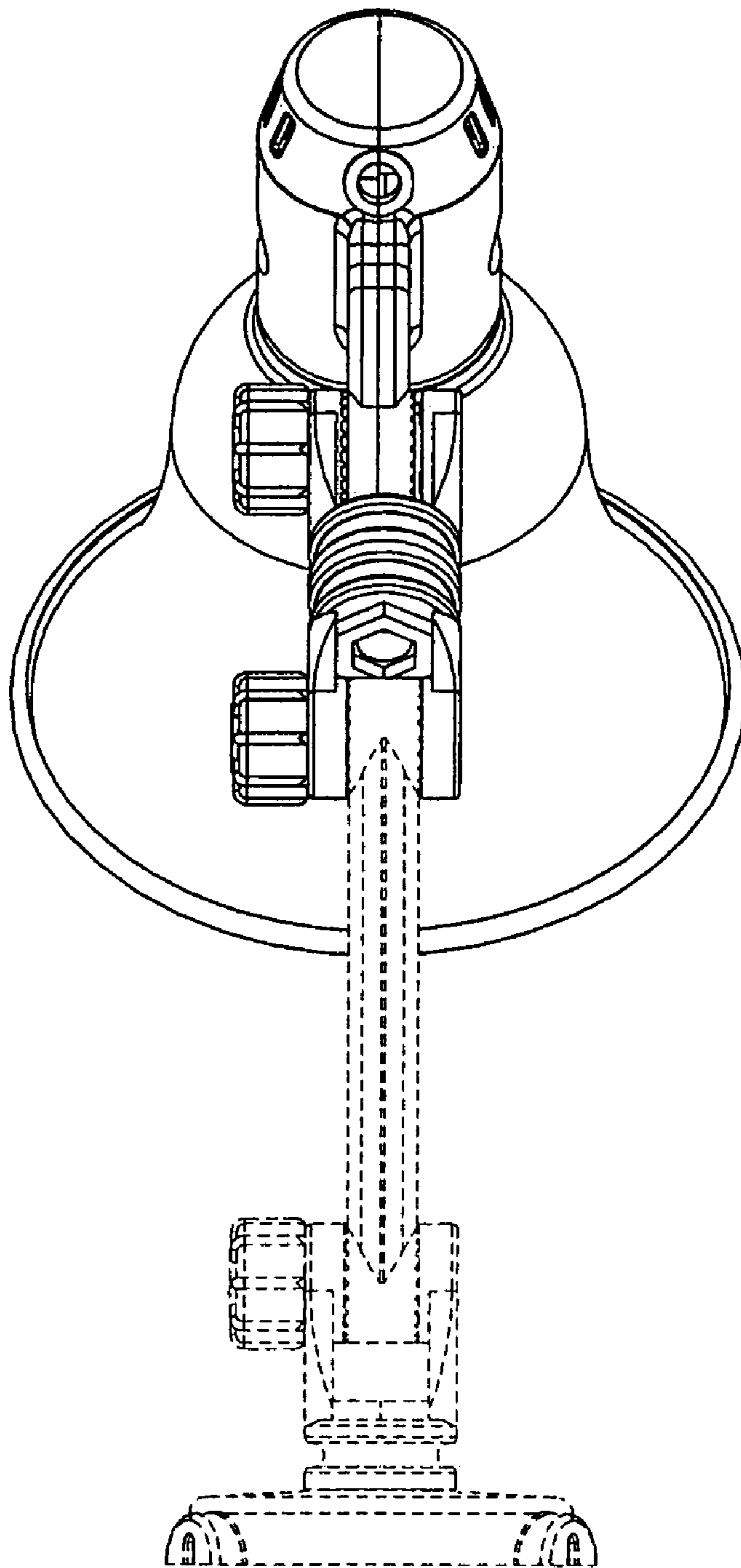


FIG - 6