



US00D577141S

(12) **United States Design Patent**
Monroe

(10) **Patent No.:** **US D577,141 S**
(45) **Date of Patent:** **** Sep. 16, 2008**

(54) **HALOGEN FLOOD LIGHT**

D438,667 S * 3/2001 Leen D26/113

(75) Inventor: **Tim E. Monroe**, Lincoln, CA (US)

(73) Assignee: **Cordelia Lighting, Inc.**, Rancho Dominguez, CA (US)

(**) Term: **14 Years**

(21) Appl. No.: **29/241,179**

(22) Filed: **Oct. 25, 2005**

(51) **LOC (8) Cl.** **26-05**

(52) **U.S. Cl.** **D26/61**

(58) **Field of Classification Search** D26/60-66,
D26/138; 362/16, 86, 147, 269, 275, 277,
362/278, 282, 285, 287, 288, 376-378, 387,
362/396, 403, 410, 413, 418-430, 449
See application file for complete search history.

(56) **References Cited**

U.S. PATENT DOCUMENTS

D203,865 S *	2/1966	Cooper	D26/63
D267,352 S *	12/1982	Suzuki	D26/118
D269,913 S *	7/1983	Johnson et al.	D26/63
D300,570 S *	4/1989	DeCandia	D26/63
4,875,143 A *	10/1989	Fernandez	362/86
D312,842 S *	12/1990	Younger et al.	D20/42
D345,226 S *	3/1994	Tsao	D26/63
D353,474 S *	12/1994	Shyan	D26/63
D360,962 S *	8/1995	Cornell et al.	D26/67
D407,836 S *	4/1999	Leen	D26/63
D420,458 S *	2/2000	Guercio	D26/63

OTHER PUBLICATIONS

Website: <http://www.designersedge.com/Floodlights.html>; Copyright 2001; "150watt Mini Halogen Flood Light".*

* cited by examiner

Primary Examiner—Cathron Brooks

Assistant Examiner—Barbara Fox

(74) *Attorney, Agent, or Firm*—Paul Y. Feng; Fulwider Patton LLP

(57) **CLAIM**

The ornamental design for a halogen flood light, as shown and described.

DESCRIPTION

FIG. 1 is a front elevational view of a halogen flood light showing my new design, wherein the lens has a pebbled surface finish;

FIG. 2 is a left side elevational view of the flood light from FIG. 1;

FIG. 3 is a rear elevational view thereof;

FIG. 4 is a right side elevational view thereof;

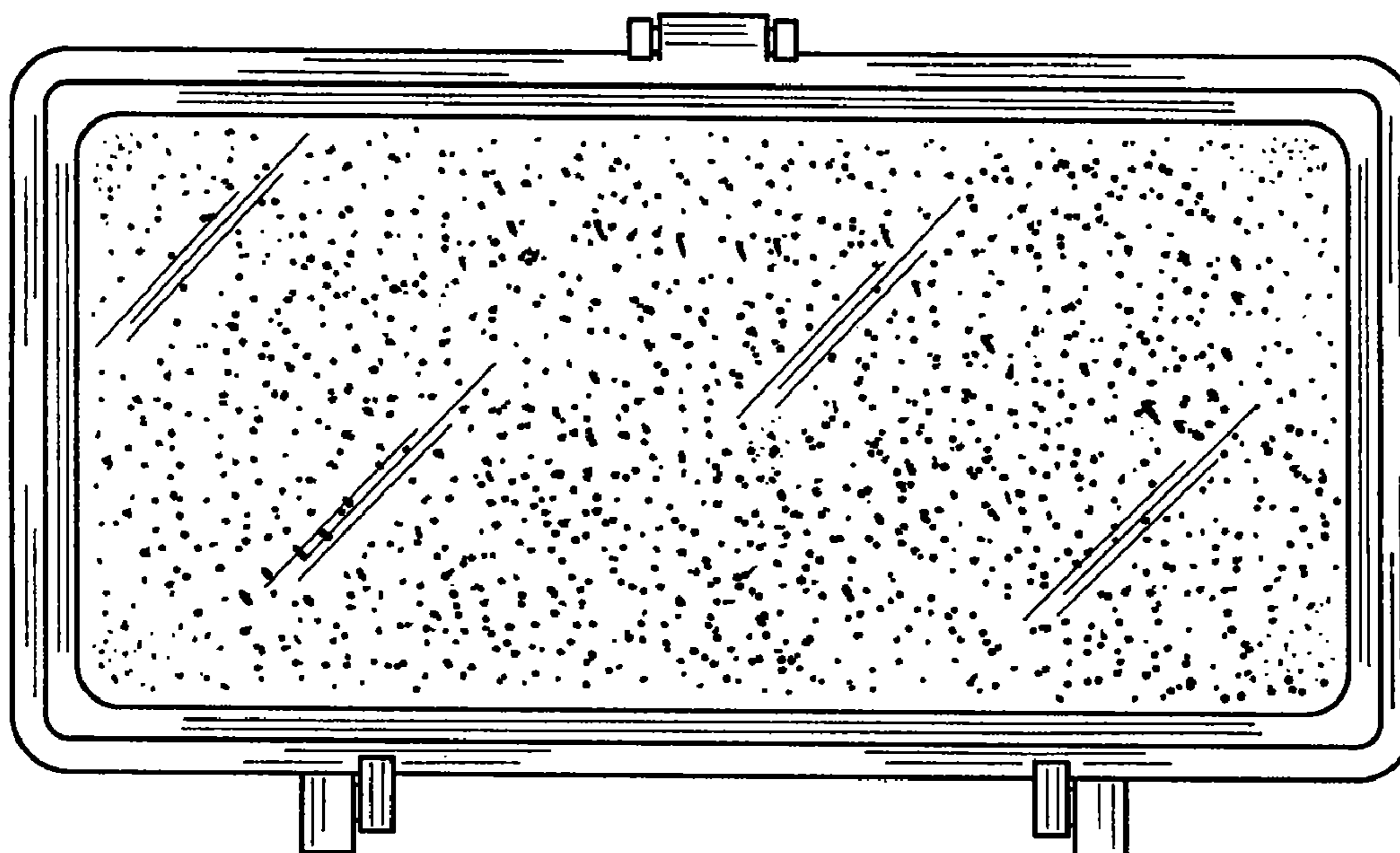
FIG. 5 is a top plan view thereof;

FIG. 6 is a bottom view thereof;

FIG. 7 is an upper rear perspective view of the floodlight of FIG. 1 showing the rear, side and top; and,

FIG. 8 is bottom rear perspective view of the floodlight of FIG. 1 showing the rear, side and bottom.

1 Claim, 8 Drawing Sheets



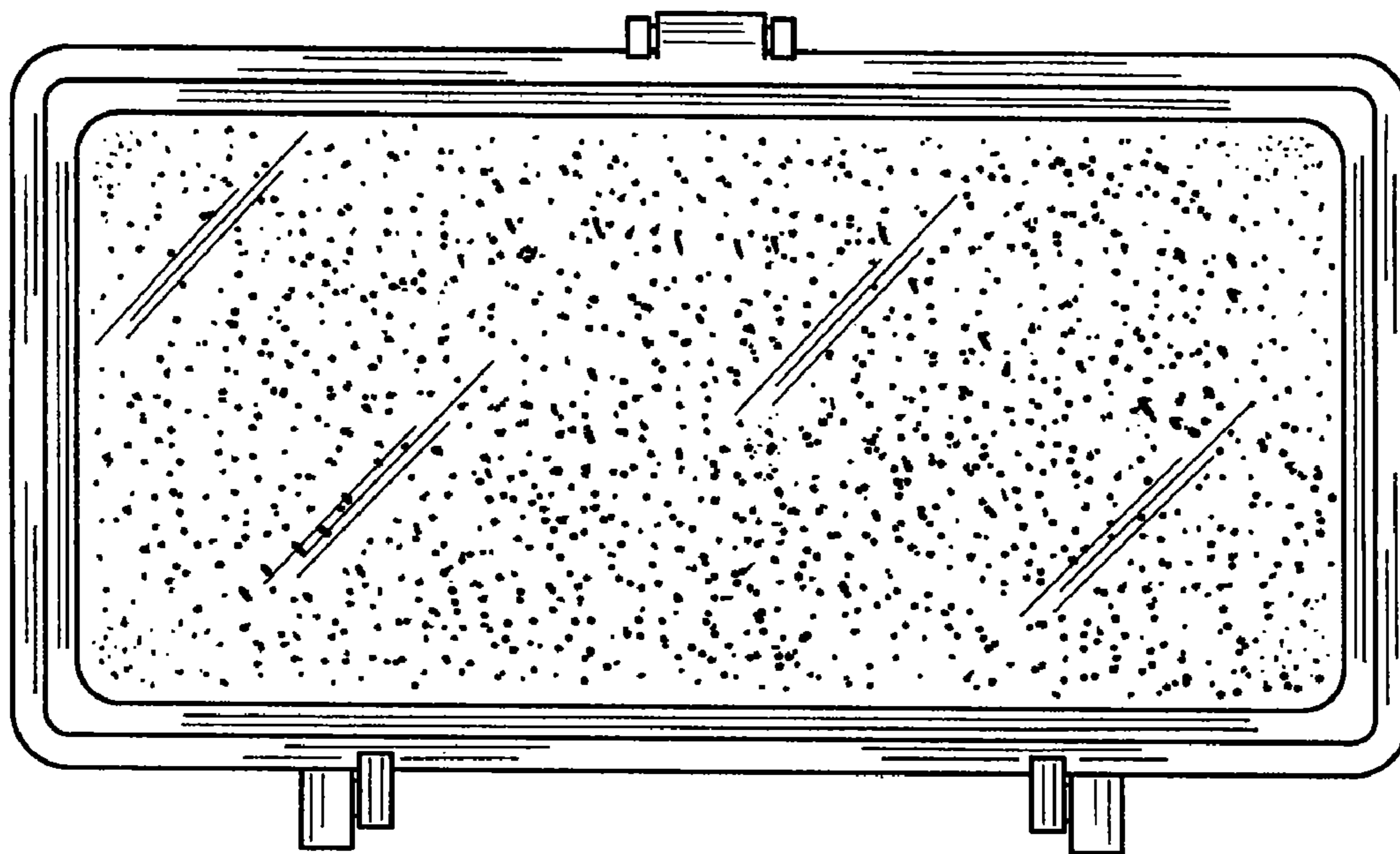


FIG. 1

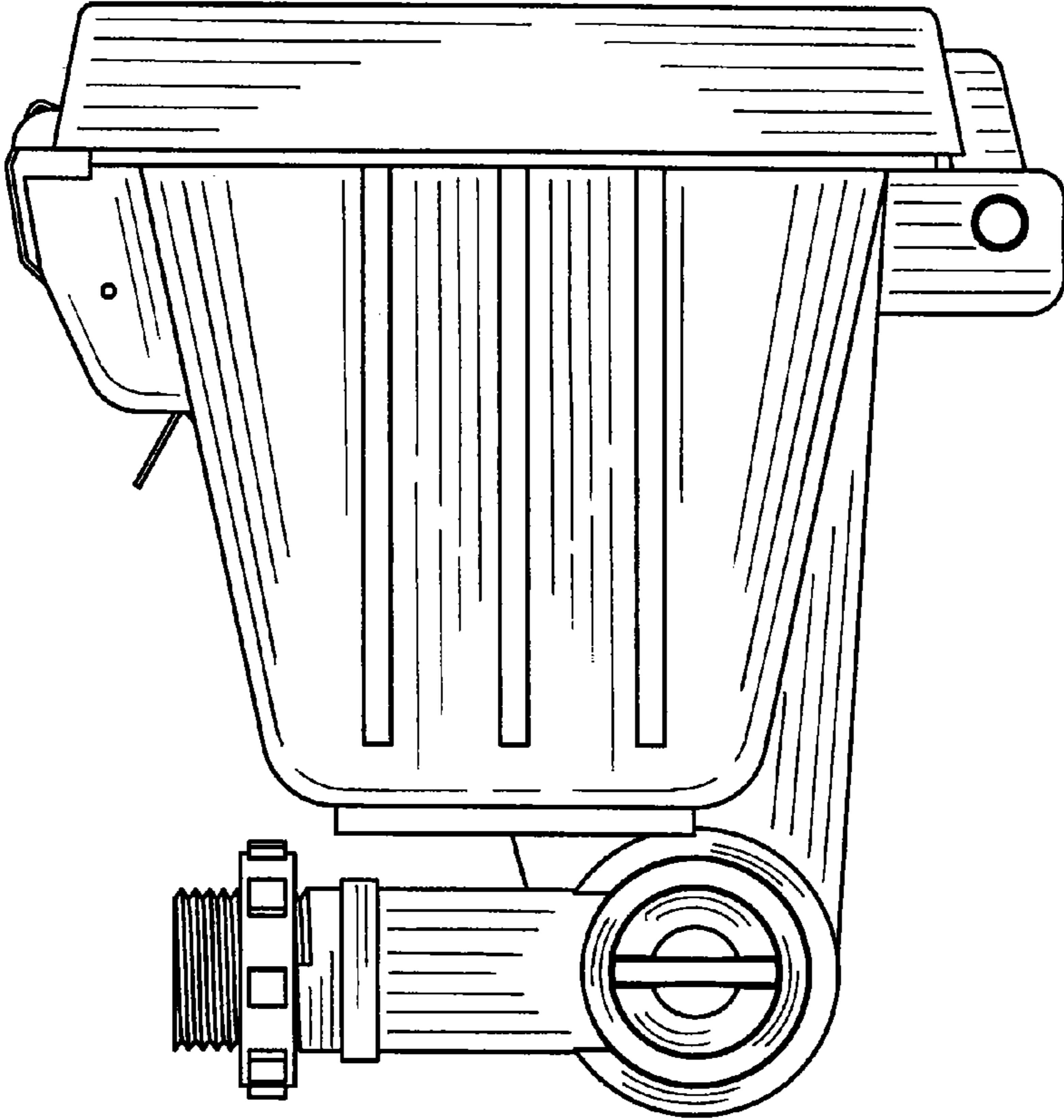


FIG. 2

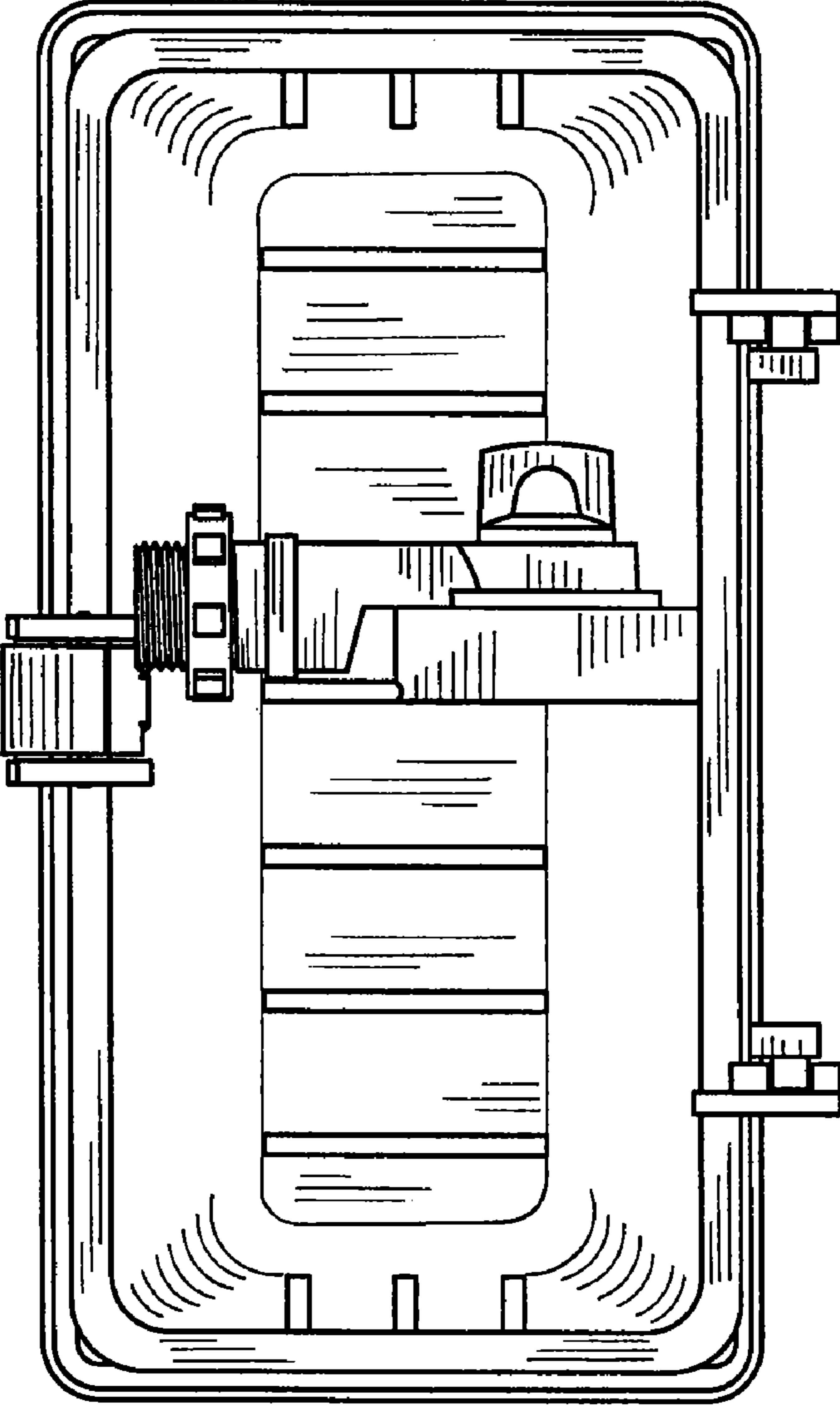


FIG. 3

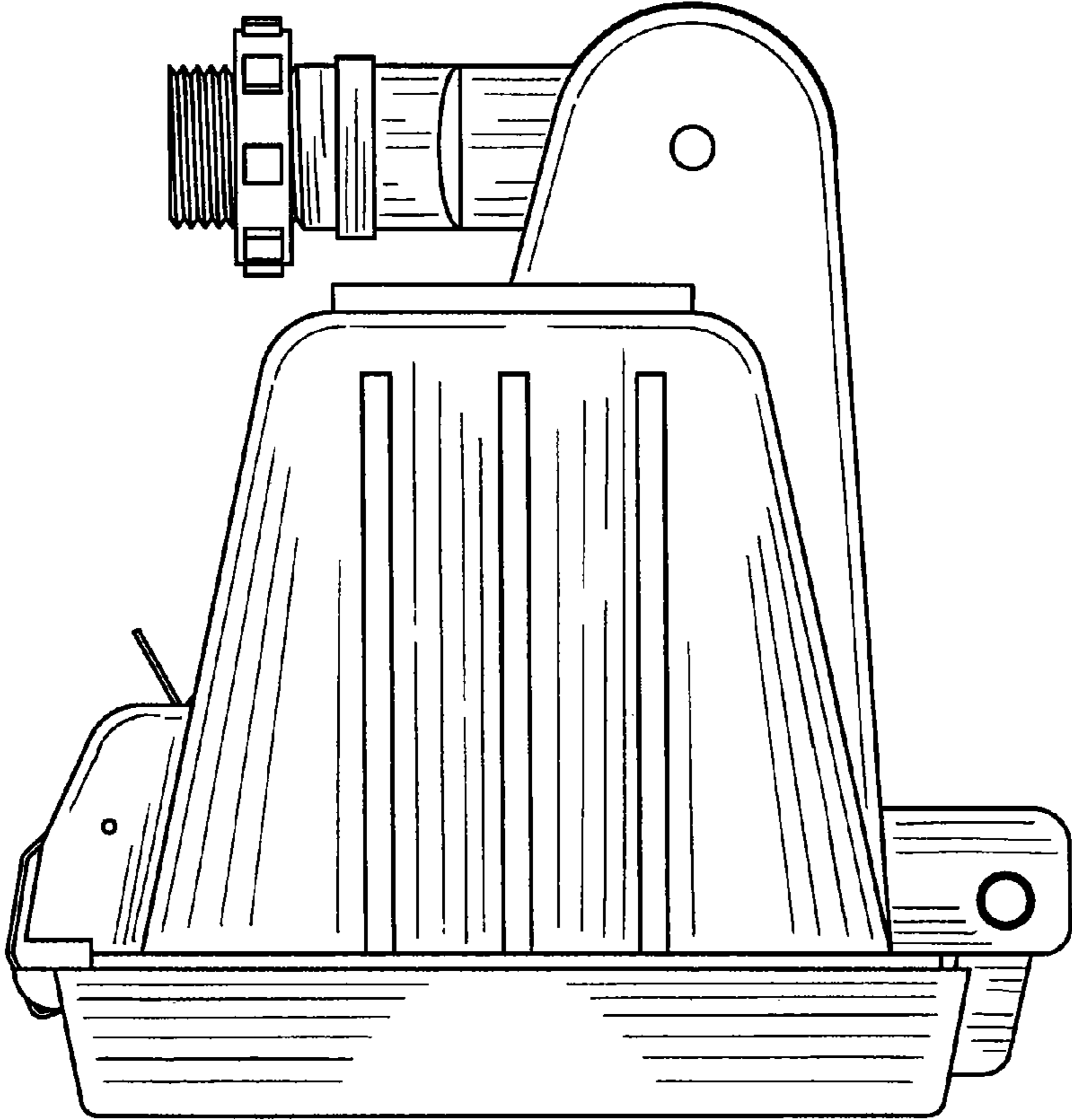


FIG. 4

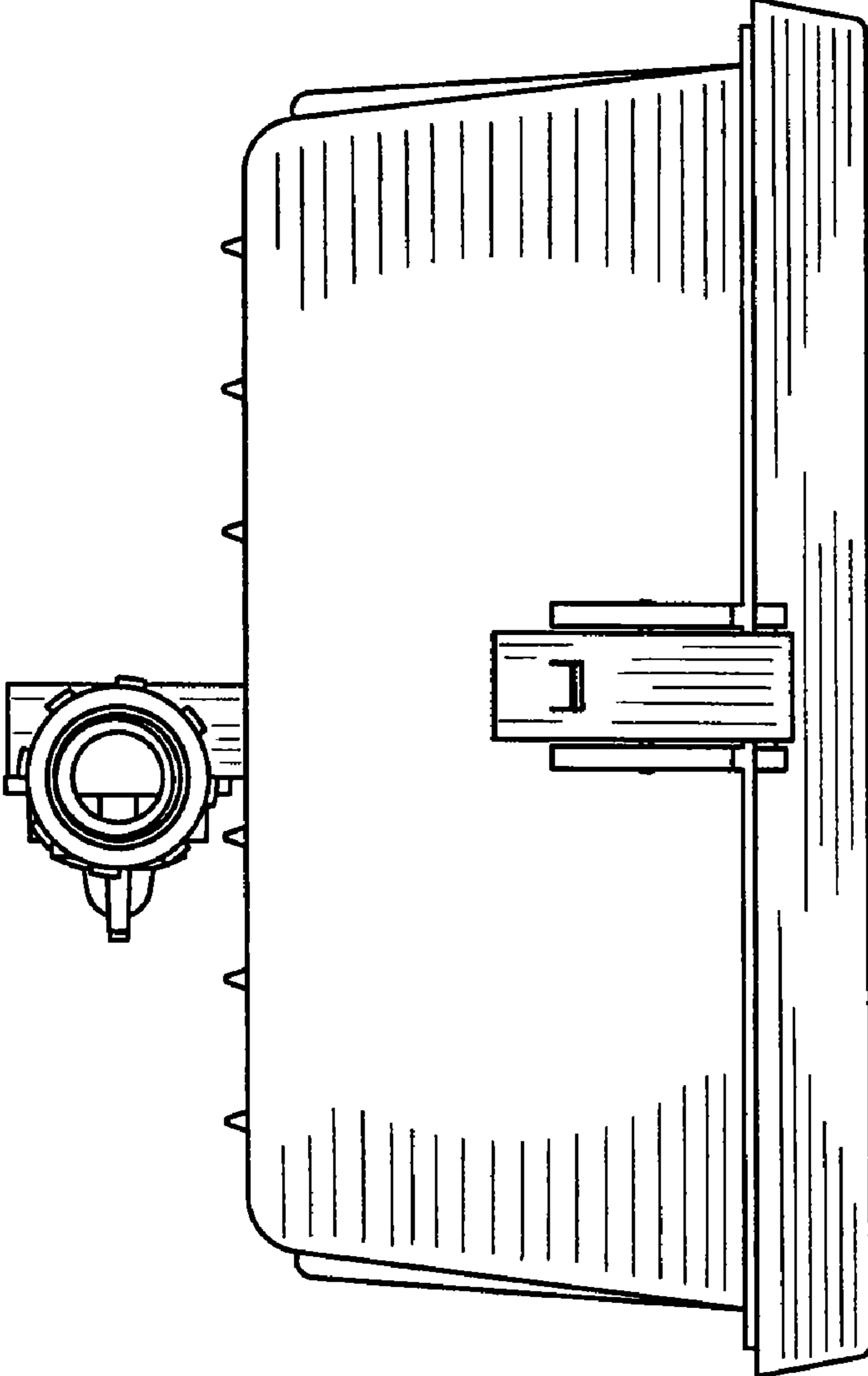


FIG. 5

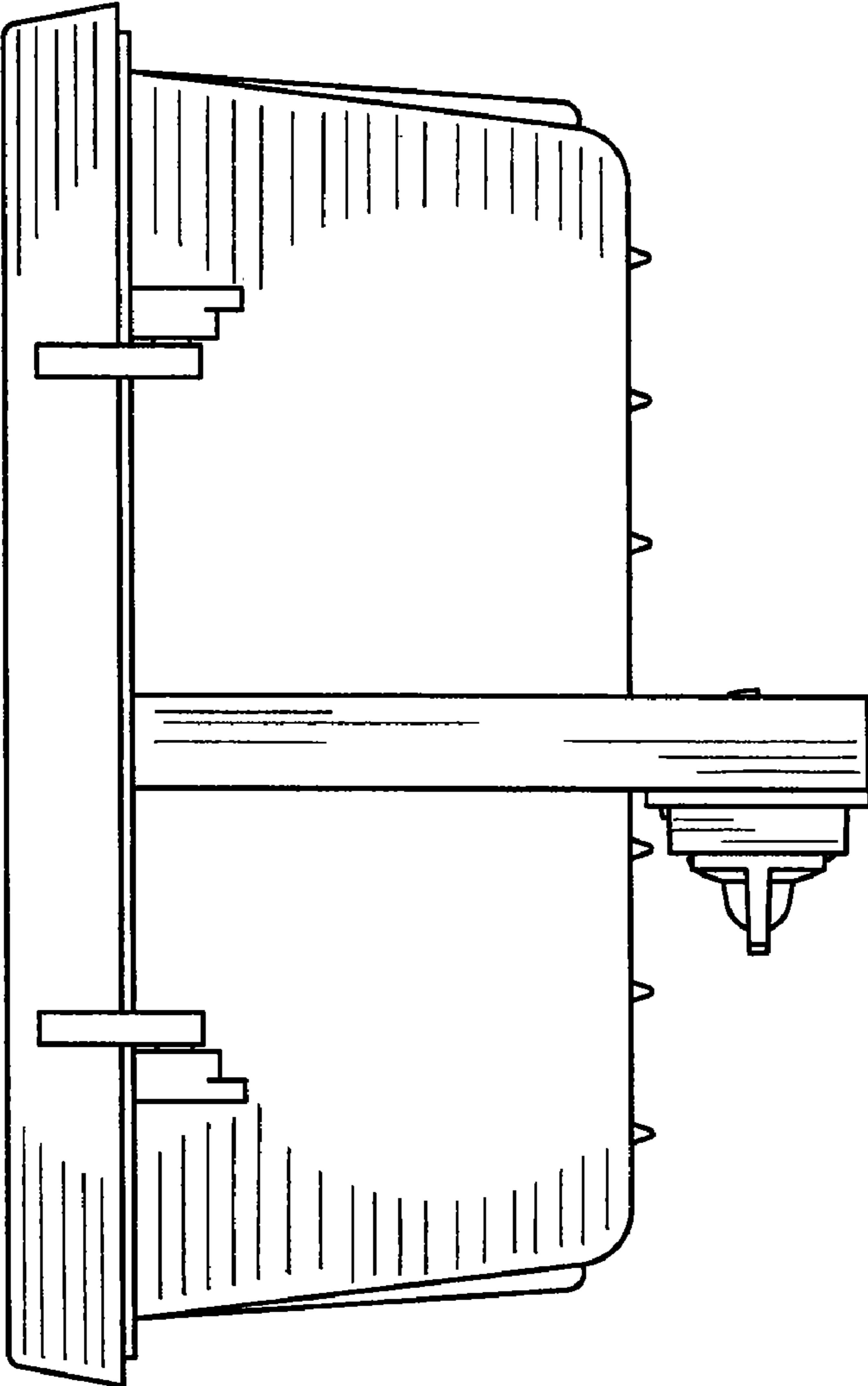


FIG. 6

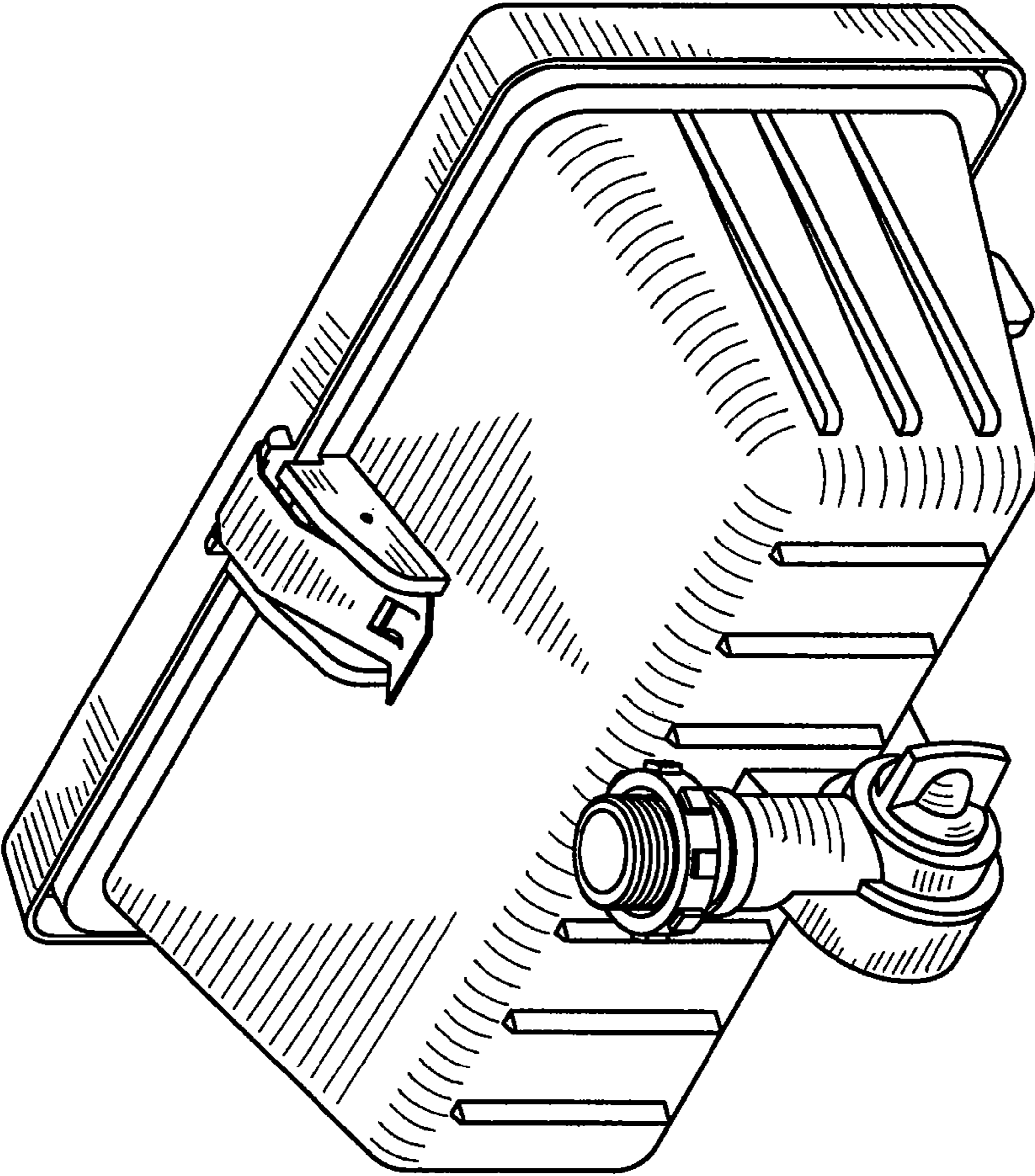


FIG. 7

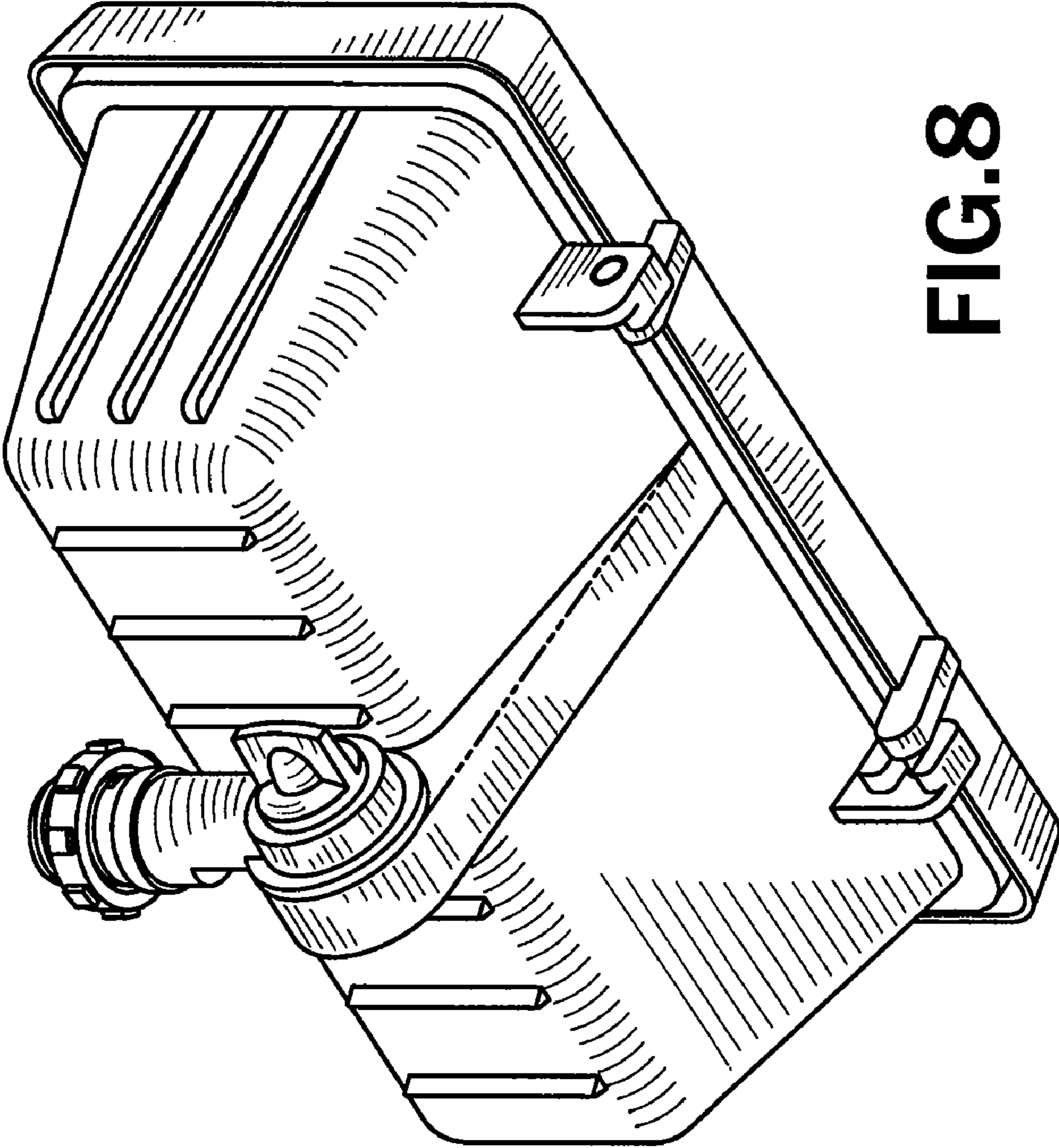


FIG. 8