



US00D577132S

(12) **United States Design Patent**
Itaya et al.

(10) **Patent No.:** **US D577,132 S**
(45) **Date of Patent:** **** Sep. 16, 2008**

(54) **FLUORESCENT LAMP**

FOREIGN PATENT DOCUMENTS

(75) Inventors: **Kenji Itaya**, Kadoma (JP); **Yoshinori Kakuno**, Kadoma (JP); **Kouichi Katase**, Kadoma (JP); **Junichi Takahashi**, Kadoma (JP)

JP D. 969870 12/1996
KR 25861-0005 8/2003

(73) Assignee: **Matsushita Electric Industrial Co., Ltd.**, Osaka (JP)

OTHER PUBLICATIONS

Itaya et al., U.S. Design Application entitled "Base for Fluorescent Lamp," U.S. Design Appl. No. 29/288,288, filed Jun. 6, 2007.
Itaya et al., U.S. Design Application entitled "Fluorescent Lamp," U.S. Design Appl. No. 29/288,290, filed Jun. 6, 2007.

(**) Term: **14 Years**

* cited by examiner

(21) Appl. No.: **29/288,321**

Primary Examiner—Marcus A. Jackson

(22) Filed: **Jun. 6, 2007**

(74) *Attorney, Agent, or Firm*—Brinks Hofer Gilson & Lione

(30) **Foreign Application Priority Data**

Jan. 31, 2007 (JP) 2007-002012

(57) **CLAIM**

We claim the ornamental design for a fluorescent lamp, as shown and described.

- (51) **LOC (8) Cl.** **26-04**
- (52) **U.S. Cl.** **D26/3**
- (58) **Field of Classification Search** D26/1-4;
313/313, 315, 317, 318, 493; 315/52, 53,
315/56, 57, 58

See application file for complete search history.

DESCRIPTION

FIG. 1 is a front perspective view of a fluorescent lamp of the present invention;
FIG. 2 is a front view thereof;
FIG. 3 is a rear view thereof;
FIG. 4 is a first side view thereof;
FIG. 5 is a second side view thereof;
FIG. 6 is a top view thereof; and,
FIG. 7 is a bottom view thereof.

(56) **References Cited**

U.S. PATENT DOCUMENTS

- D501,569 S * 2/2005 Iida et al. D26/3
- D503,988 S * 4/2005 Iida et al. D26/3
- D510,448 S * 10/2005 Egawa D26/3
- D545,456 S * 6/2007 Foo et al. D26/2

1 Claim, 3 Drawing Sheets

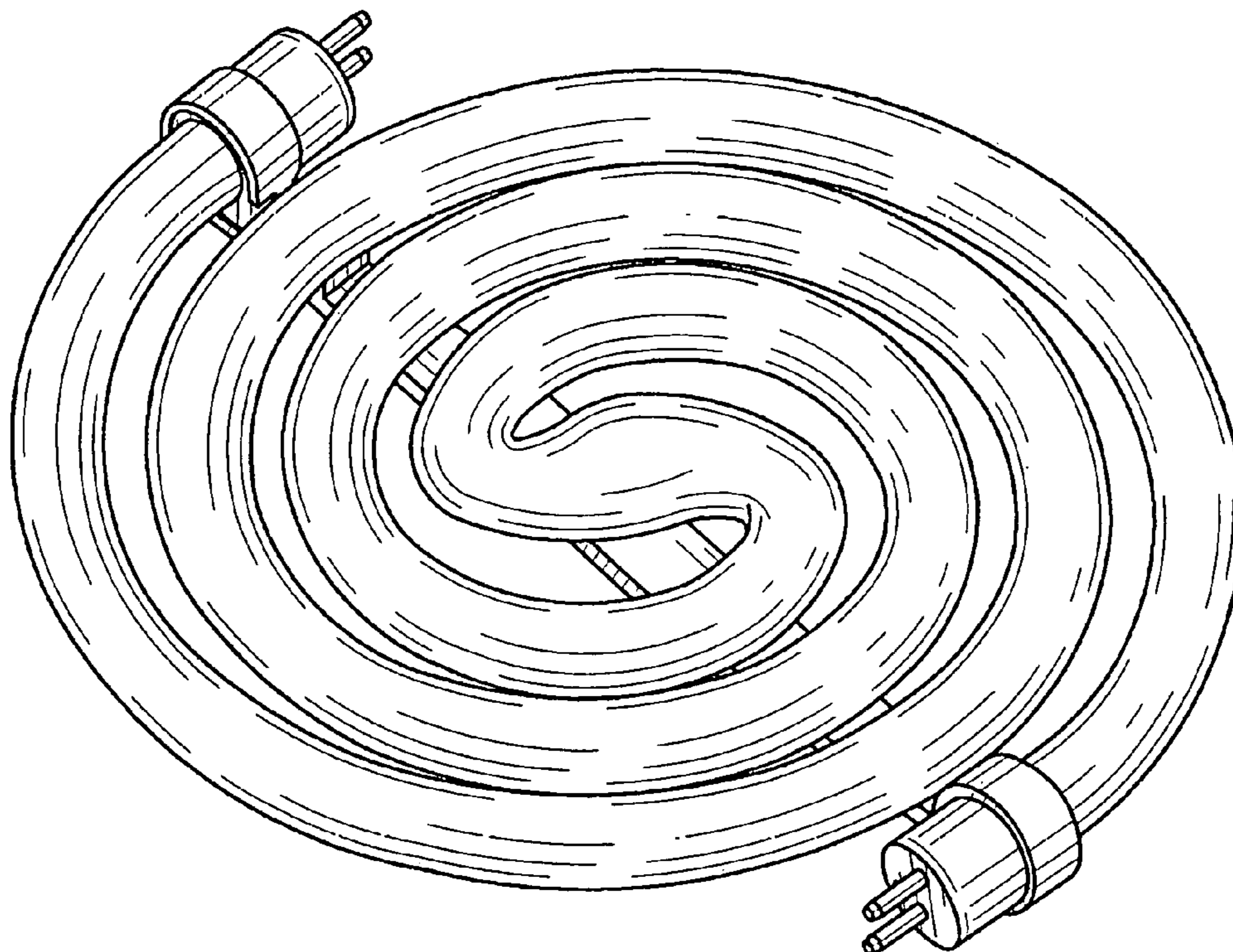


FIG. 1

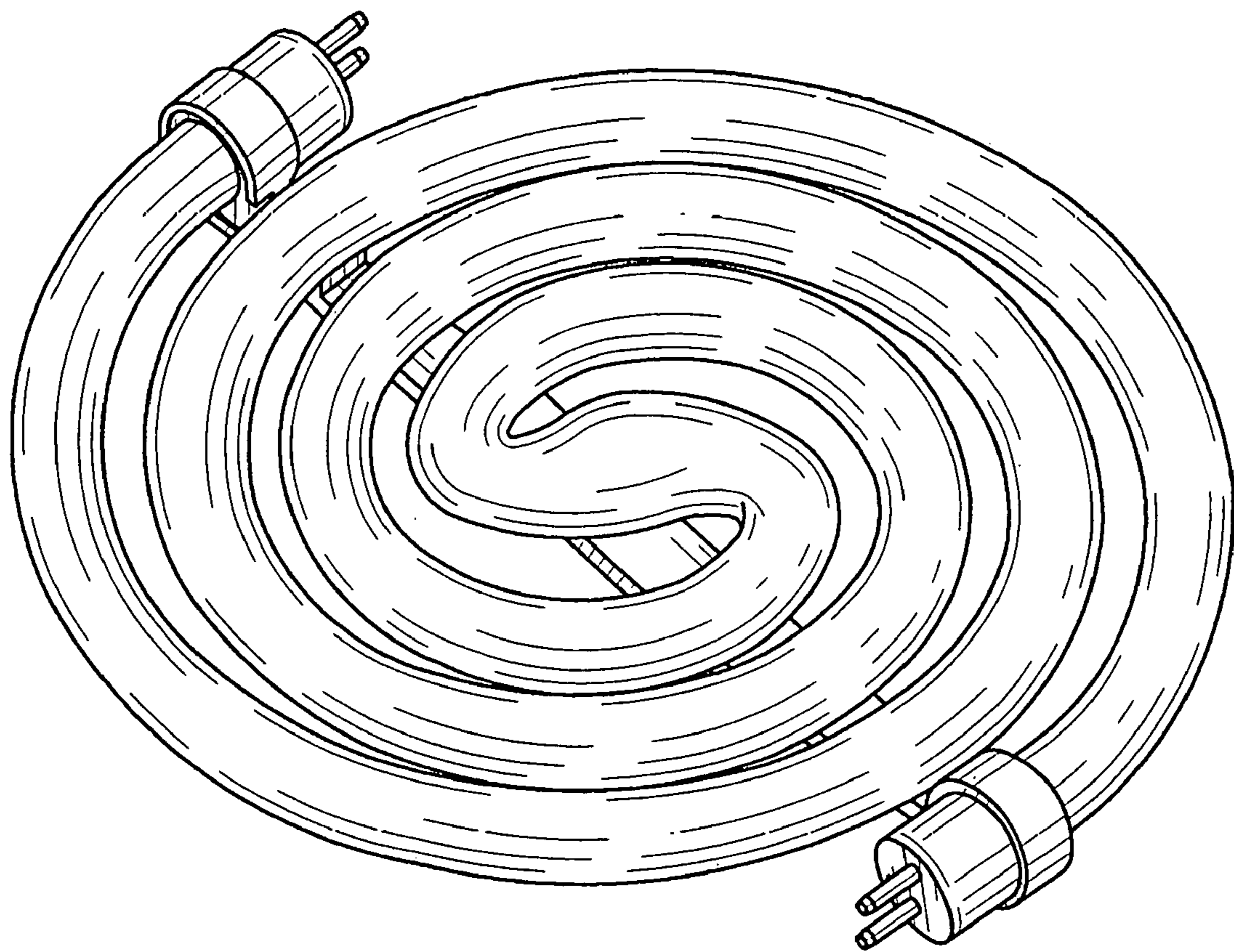


FIG. 2

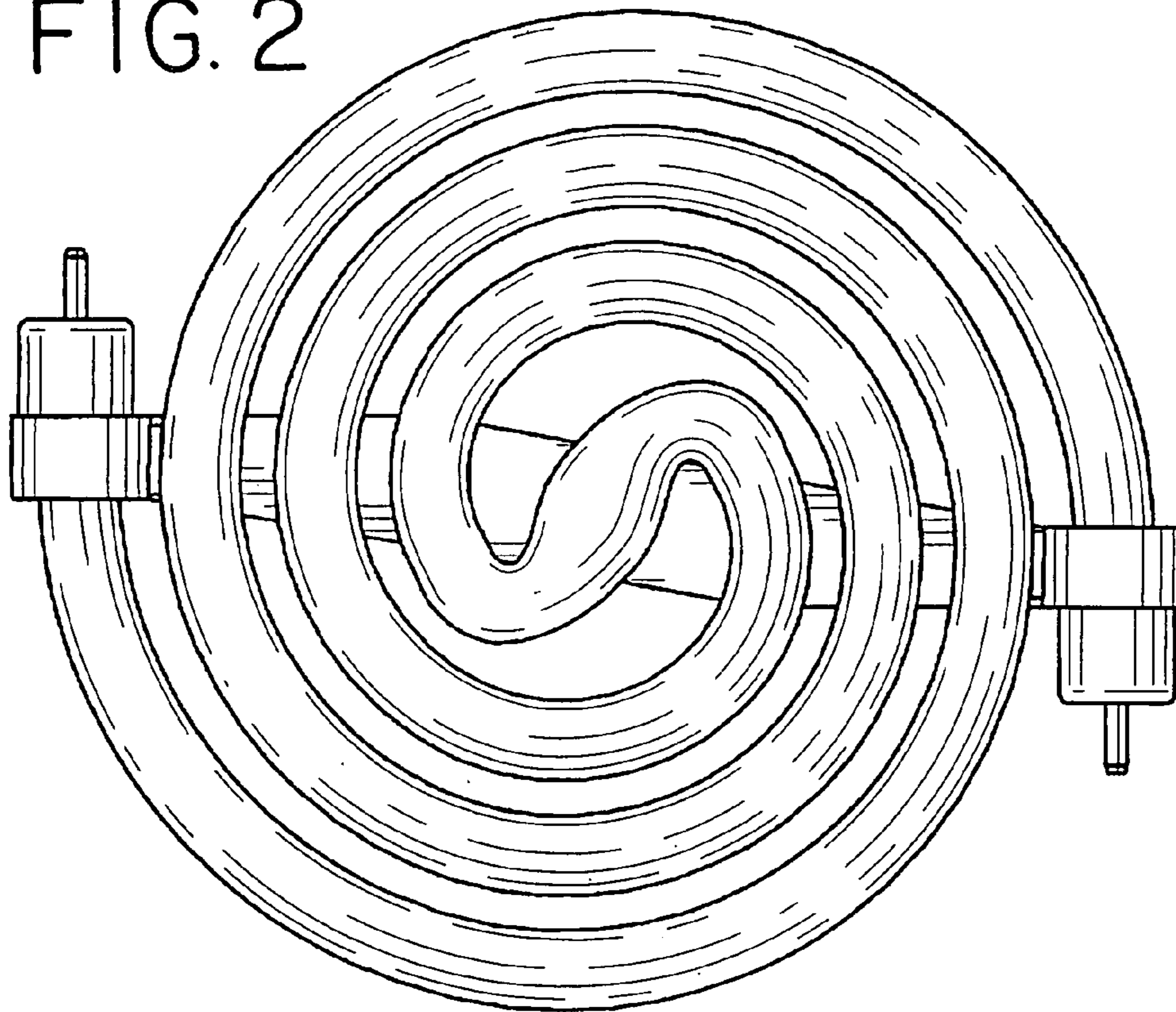


FIG. 3

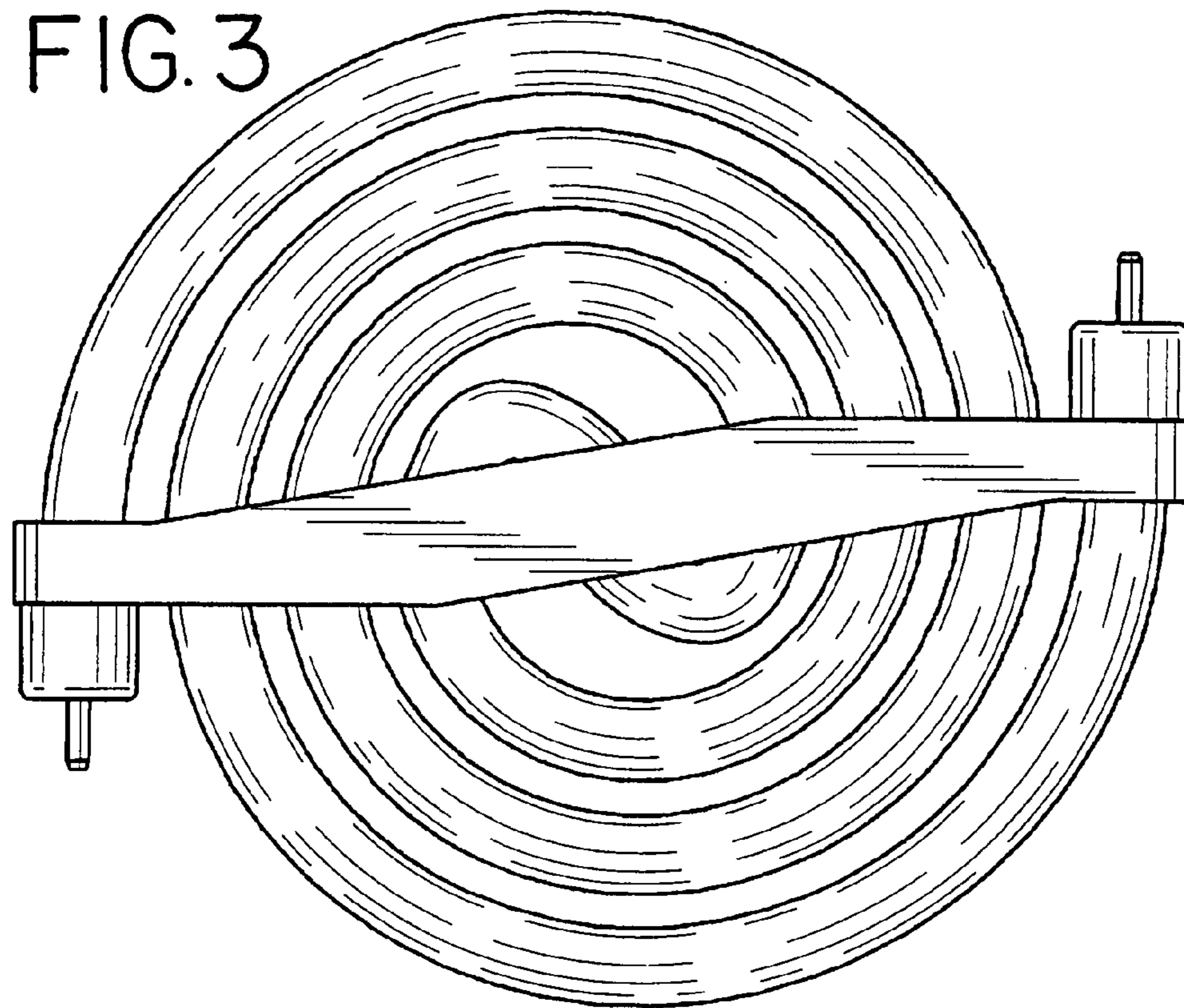


FIG. 4

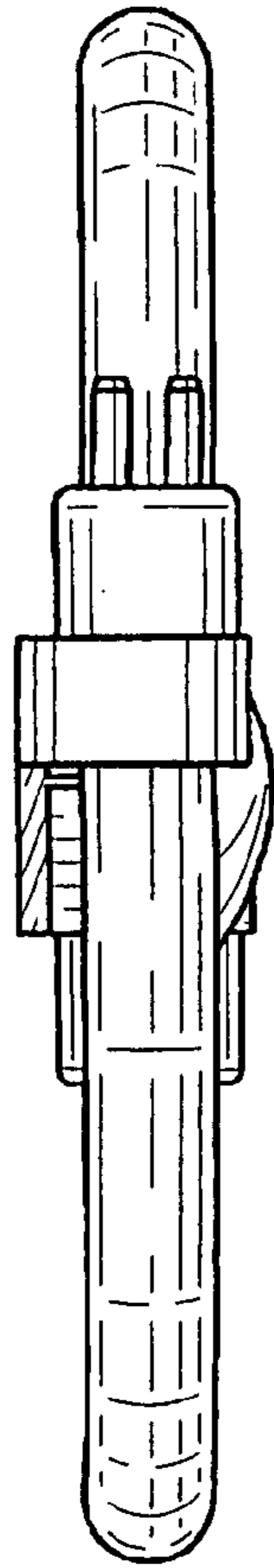


FIG. 5

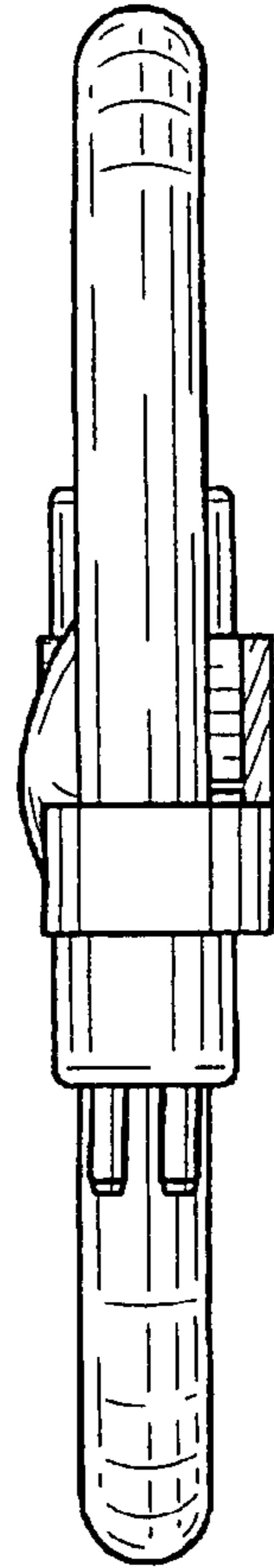


FIG. 6

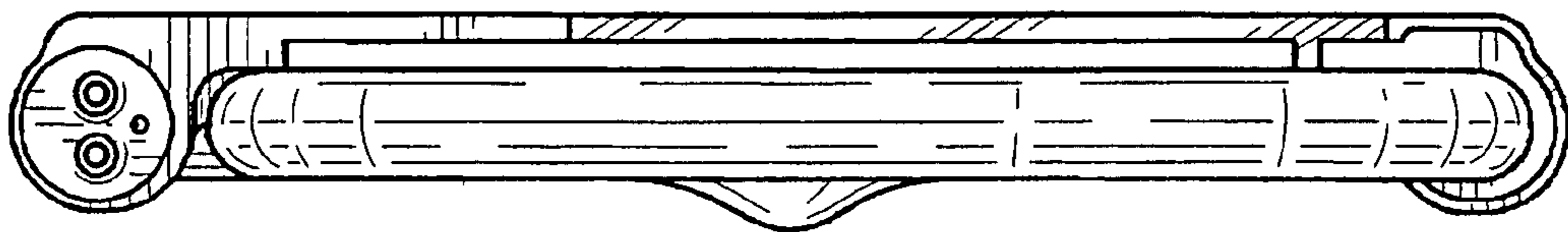


FIG. 7

