



US00D577131S

(12) **United States Design Patent**  
**Cole**

(10) **Patent No.:** **US D577,131 S**  
(45) **Date of Patent:** **\*\* Sep. 16, 2008**

(54) **WINDOW COMPONENT EXTRUSION**

(75) Inventor: **Douglas L. Cole**, Seattle, WA (US)

(73) Assignee: **Mikron Industries, Inc.**, Kent, WA (US)

(\*\*) Term: **14 Years**

(21) Appl. No.: **29/292,681**

(22) Filed: **Oct. 23, 2007**

**Related U.S. Application Data**

(62) Division of application No. 29/231,539, filed on Jun. 7, 2005, now Pat. No. Des. 558,899.

(51) **LOC (8) Cl.** ..... **25-01**

(52) **U.S. Cl.** ..... **D25/119**

(58) **Field of Classification Search** ..... D25/119,  
D25/124, 125; 52/204.1, 204.2, 204.5, 204.51,  
52/656.5, 656.6, 213, 215, 204.71, 204.55,  
52/204.593, 204.595, 730.3, 208; 49/DIG. 2,  
49/504

See application file for complete search history.

(56) **References Cited**

**U.S. PATENT DOCUMENTS**

3,662,494 A \* 5/1972 Sitterly ..... 49/504

4,578,905 A \* 4/1986 Hout ..... 49/504  
D353,472 S 12/1994 Schrader  
D385,364 S 10/1997 Lockbeam  
D508,740 S \* 8/2005 Cole ..... D25/119

**OTHER PUBLICATIONS**

Mikron Part No. 0531; first sold Jun. 14, 2001.

\* cited by examiner

*Primary Examiner*—Doris Clark

(74) *Attorney, Agent, or Firm*—Black Lowe & Graham PLLC

(57) **CLAIM**

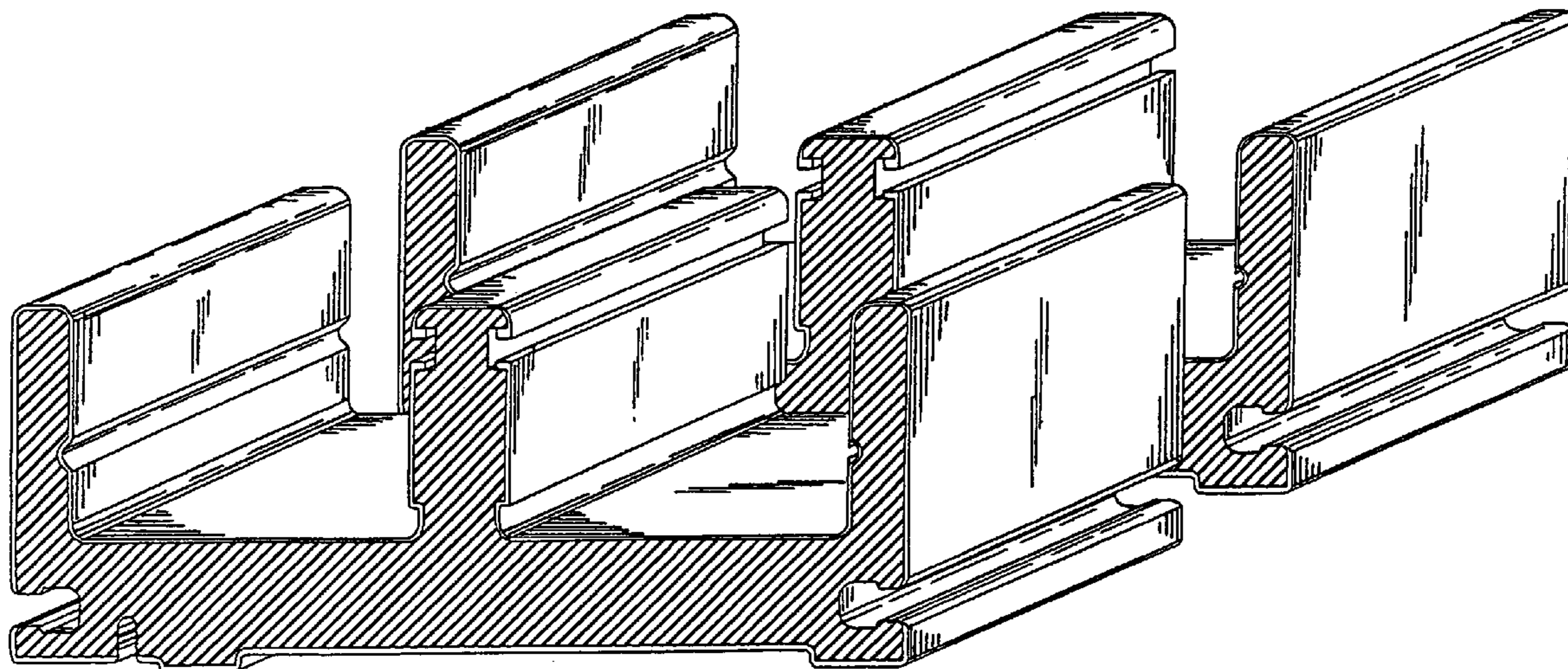
The ornamental design for a window component extrusion, as shown and described.

**DESCRIPTION**

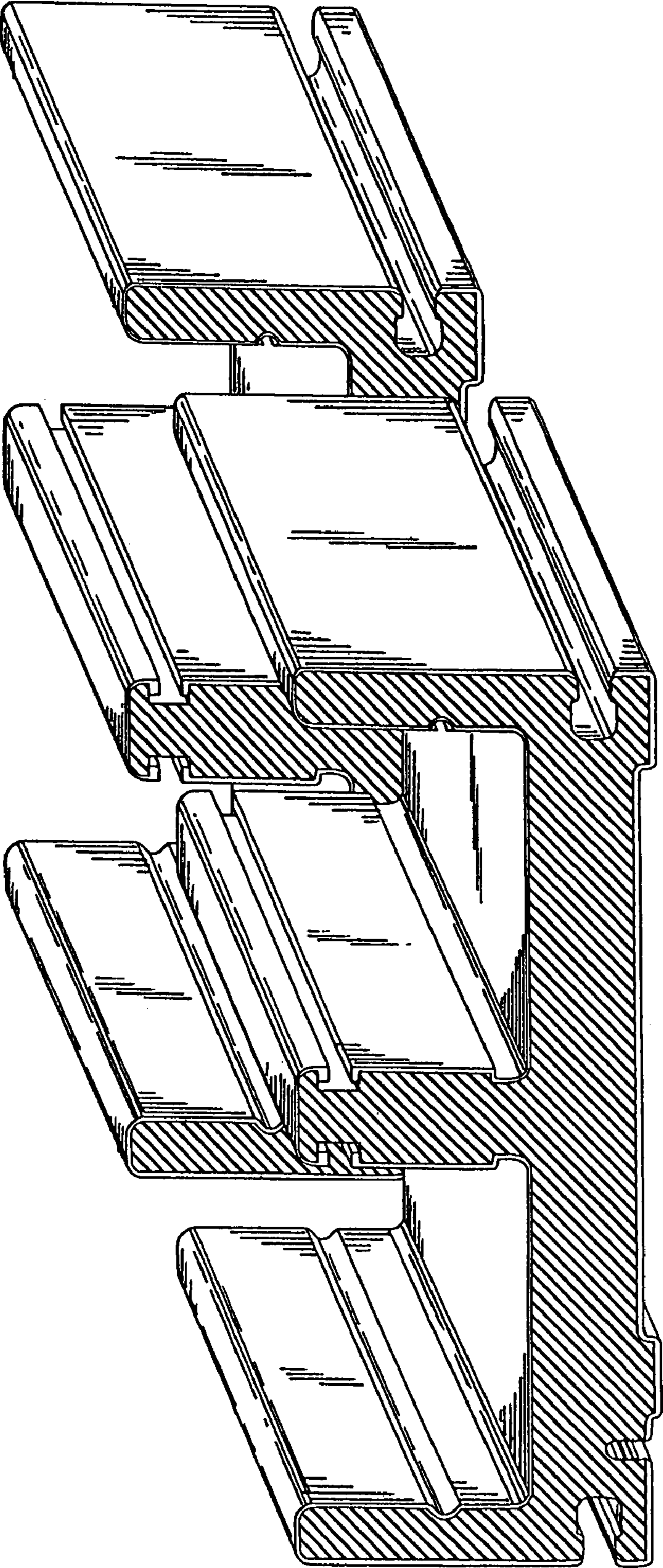
FIG. 1 is a top right perspective view of the window component extrusion which is broken in the center indicating indefinite length; and,

FIG. 2 is a bottom left perspective view of the window component extrusion shown in FIG. 1.

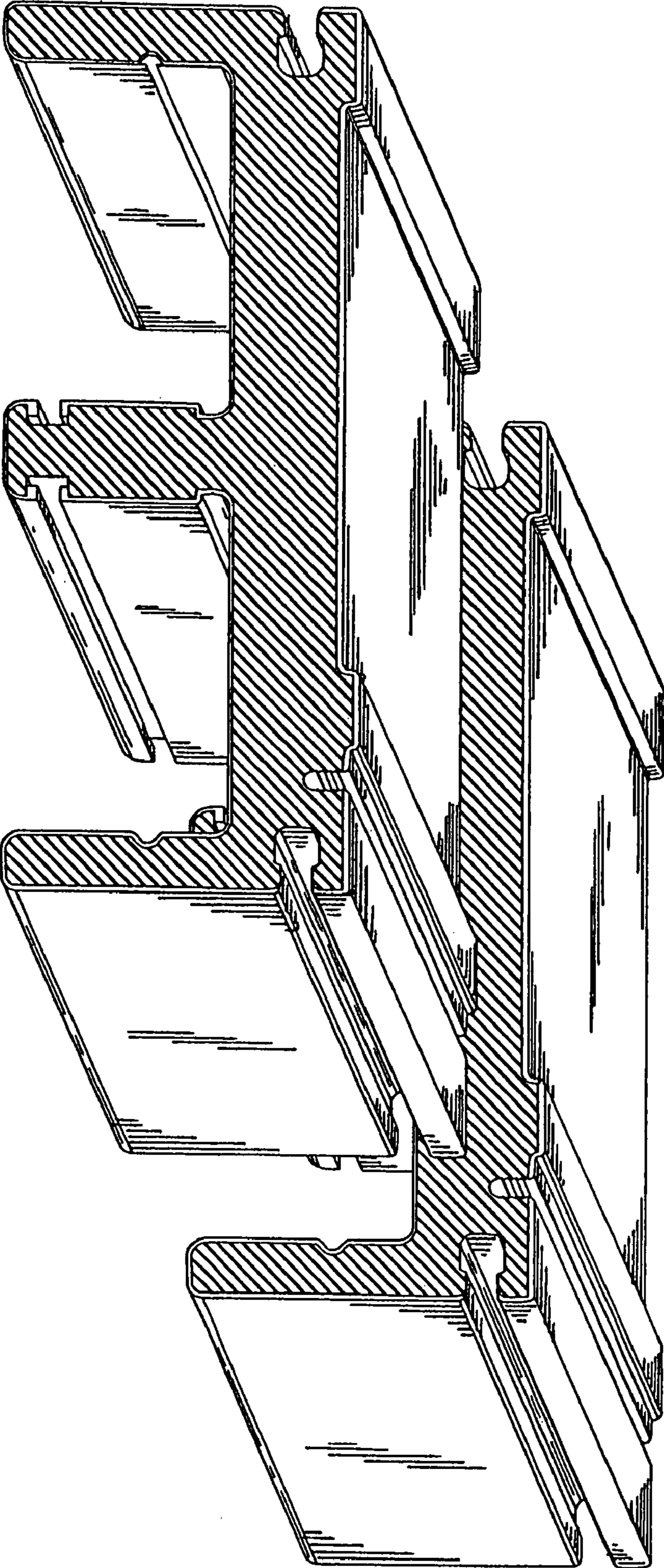
**1 Claim, 2 Drawing Sheets**



**FIGURE 1**







**FIGURE 2**