



US00D577127S

(12) **United States Design Patent**
Ronco

(10) **Patent No.:** **US D577,127 S**
(45) **Date of Patent:** **** Sep. 16, 2008**

- (54) **WELLNESS CABIN**
- (75) Inventor: **Nicolas Ronco**, New York, NY (US)
- (73) Assignee: **Yelo, LLC**, New York, NY (US)
- (**) Term: **14 Years**
- (21) Appl. No.: **29/268,373**
- (22) Filed: **Nov. 6, 2006**
- (51) **LOC (8) Cl.** **25-03**
- (52) **U.S. Cl.** **D25/33**
- (58) **Field of Classification Search** D25/17-37;
D24/202-204; 52/17-18, 63-64, 66, 79.4-79.5,
52/79.9, 86, 90, 92, 236.6
See application file for complete search history.

(56) **References Cited**

U.S. PATENT DOCUMENTS

2,532,948	A *	12/1950	Sanden	296/190.04
D542,417	S *	5/2007	Larsen	D24/204
D546,968	S *	7/2007	Blassingame et al.	D25/33
D549,352	S *	8/2007	Singh	D25/33
D549,837	S *	8/2007	Travis	D25/33
D557,812	S *	12/2007	Charette	D24/209
2007/0028530	A1 *	2/2007	De Laporte	52/66

* cited by examiner

Primary Examiner—Louis S Zarfaz
Assistant Examiner—Eric L Goodman

(74) *Attorney, Agent, or Firm*—Renner, Kenner, Greive, Bobak, Taylor & Weber

(57) **CLAIM**

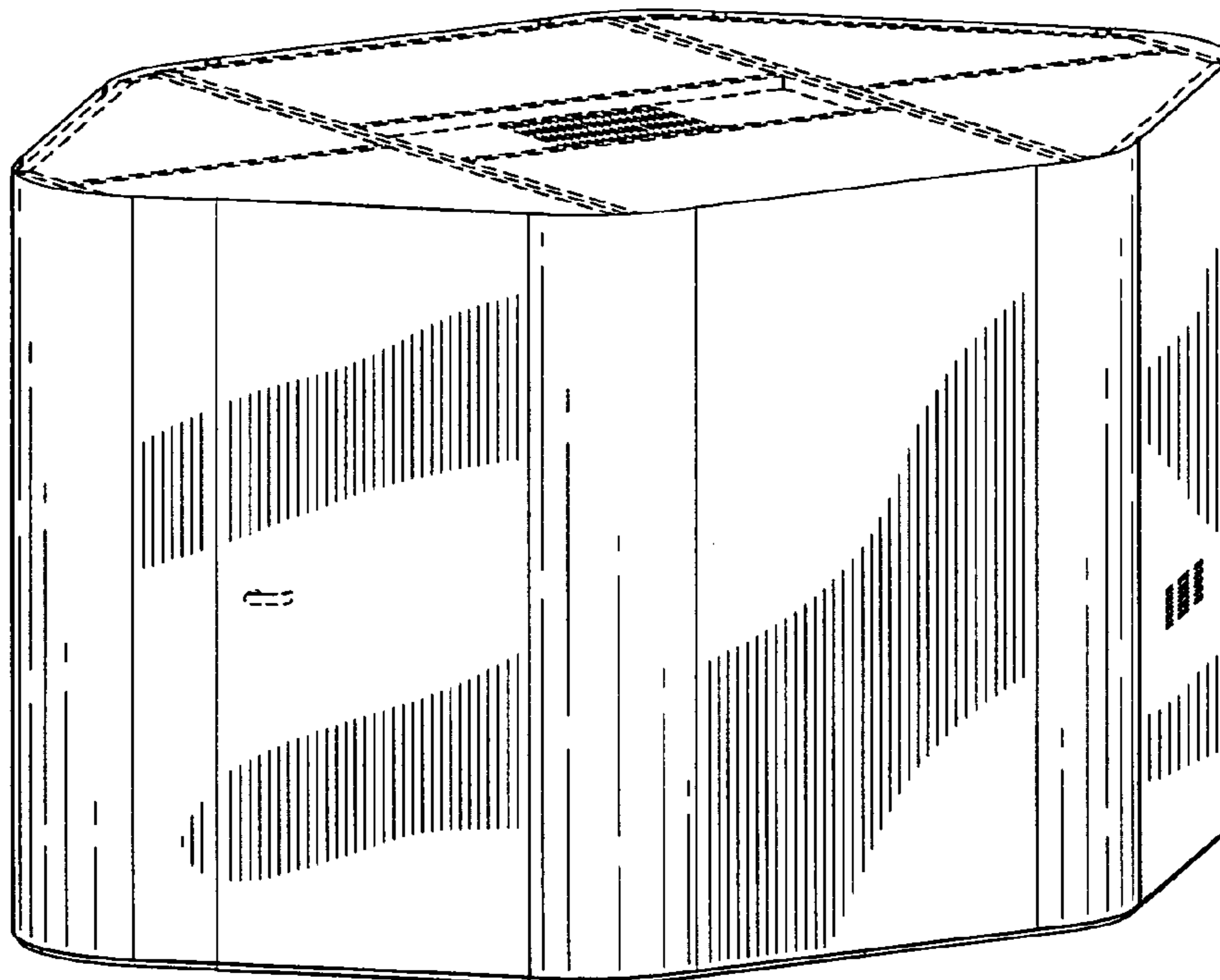
The ornamental design for a wellness cabin, as shown and described.

DESCRIPTION

- FIG. 1 is a top front right side perspective view of a wellness cabin showing my new design;
- FIG. 2 is a top perspective view similar to FIG. 1 showing the roof panel removed;
- FIG. 3 is a right side elevational view thereof;
- FIG. 4 is a left side elevational view thereof;
- FIG. 5 is a front elevational view thereof;
- FIG. 6 is a rear elevational view thereof;
- FIG. 7 is a top plan view thereof;
- FIG. 8 is a top plan view of the wellness cabin shown in FIG. 2;
- FIG. 9 is a sectional front view of the embodiment shown in FIG. 1 as might be seen along line 9—9 in FIG. 7; and,
- FIG. 10 is a bottom plan view thereof.

The broken lines in the drawings are for illustrative purposes only and form no part of the claimed design. The roof panel shown in broken lines in FIGS. 1 and 6 does not form part of the claimed design.

1 Claim, 5 Drawing Sheets



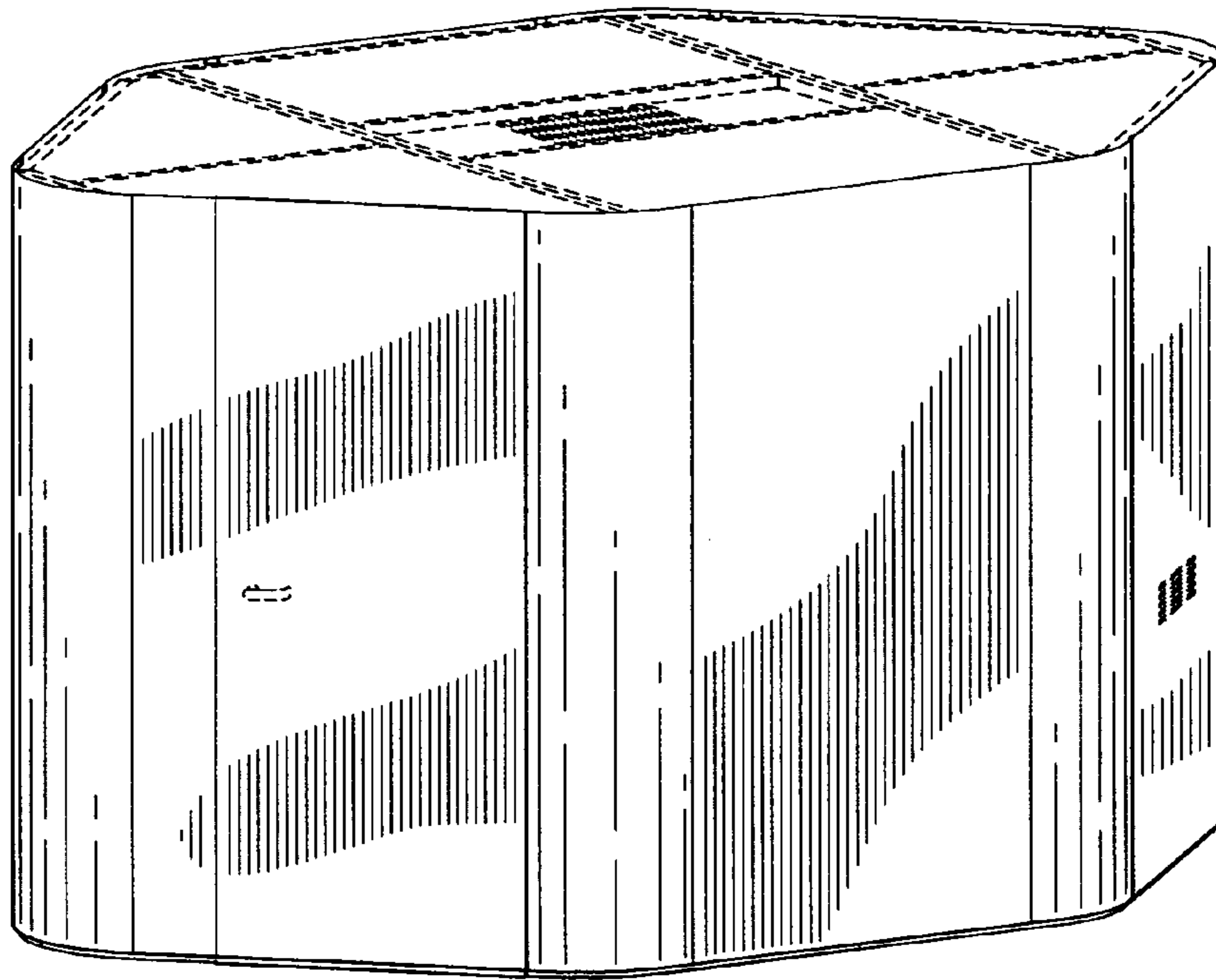


FIG-1

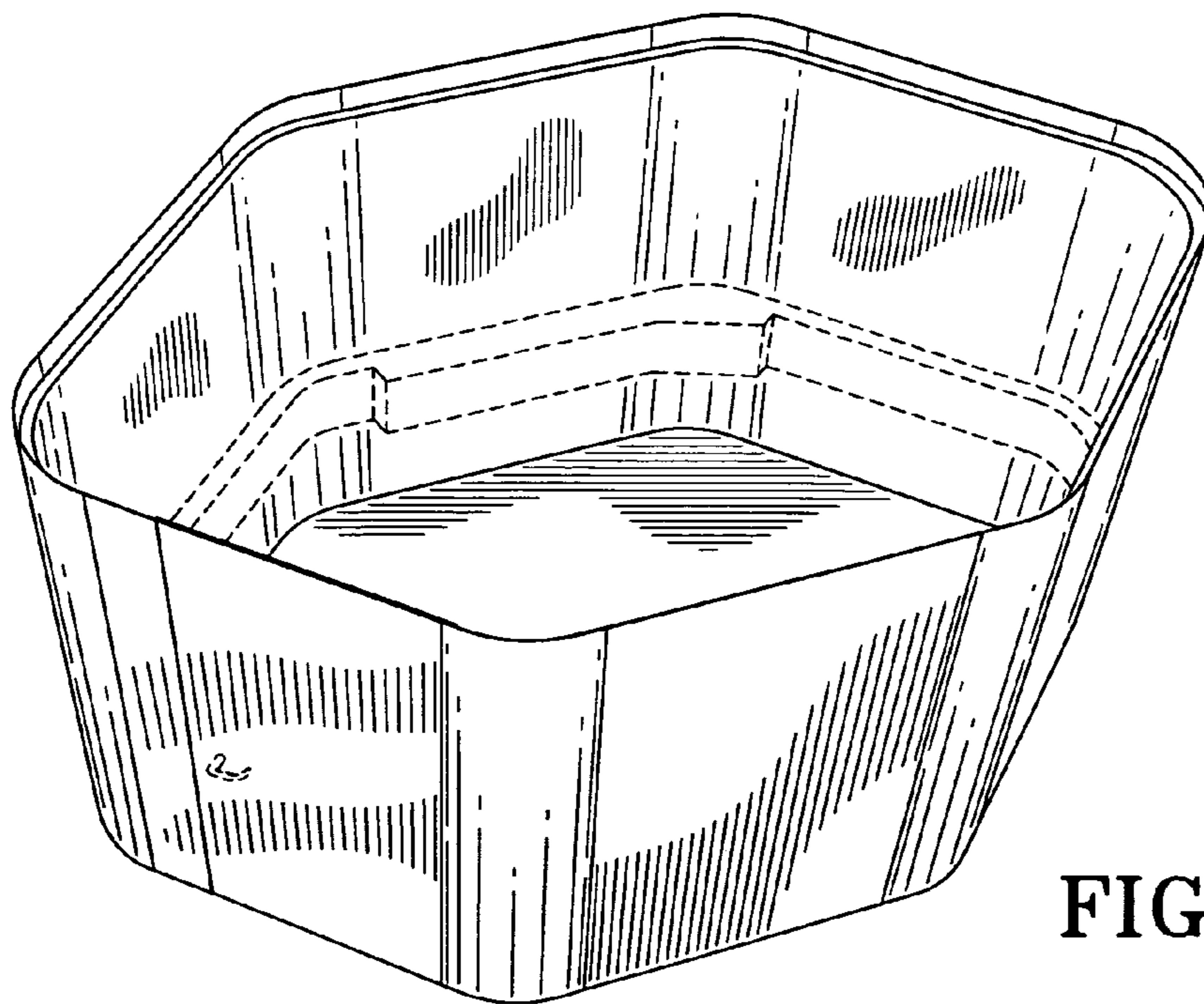


FIG-2

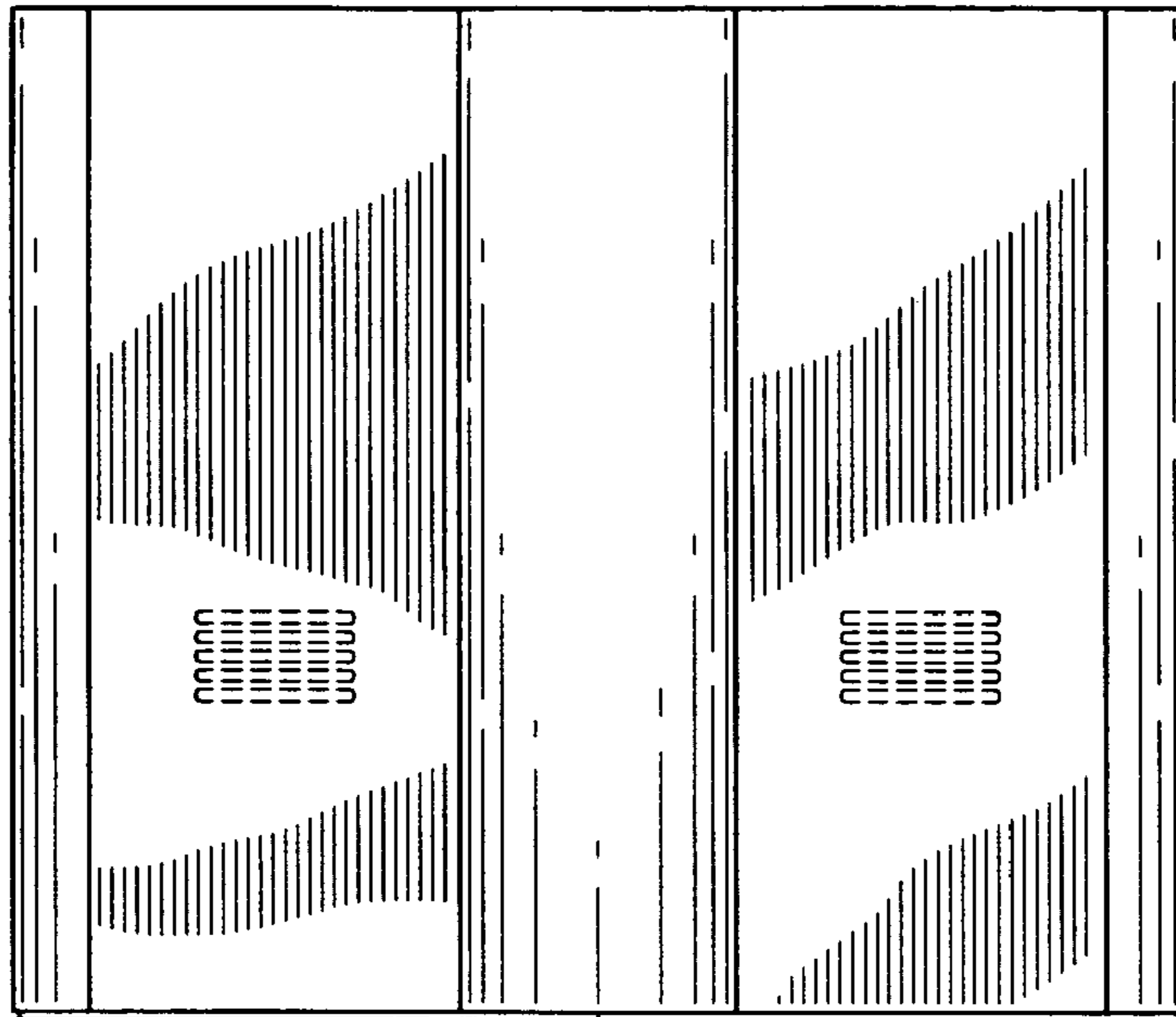


FIG-3

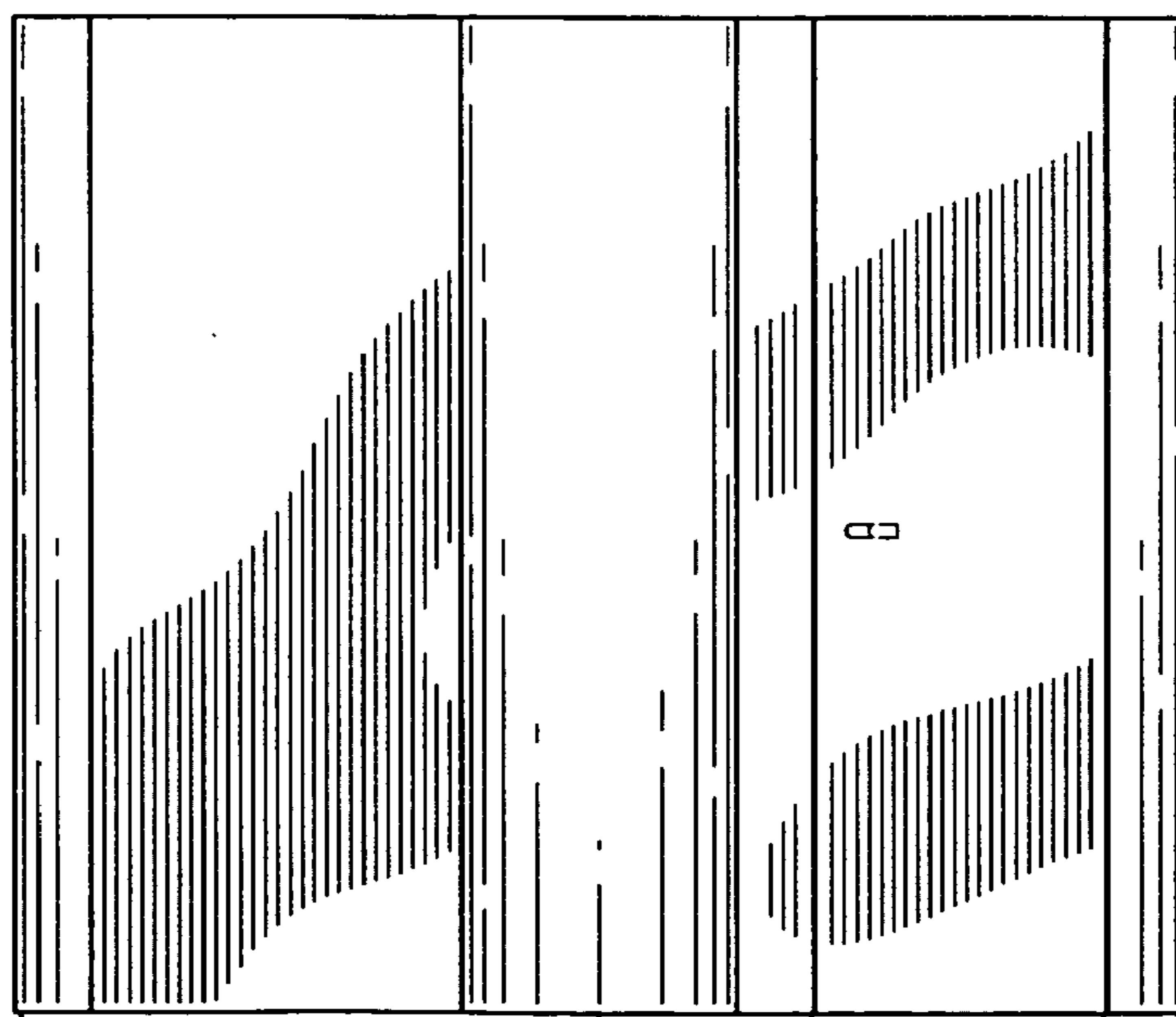


FIG-4

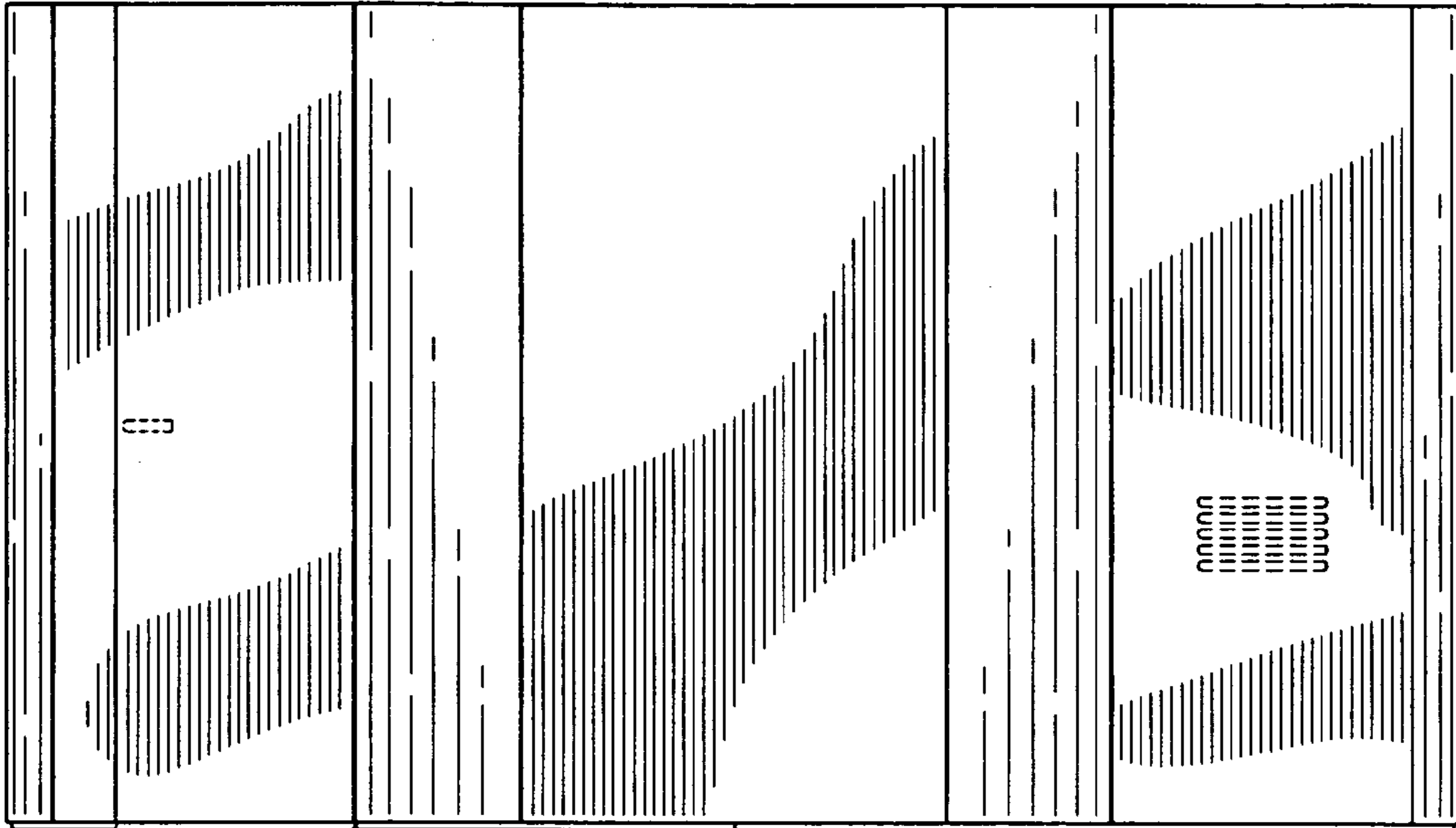


FIG-5

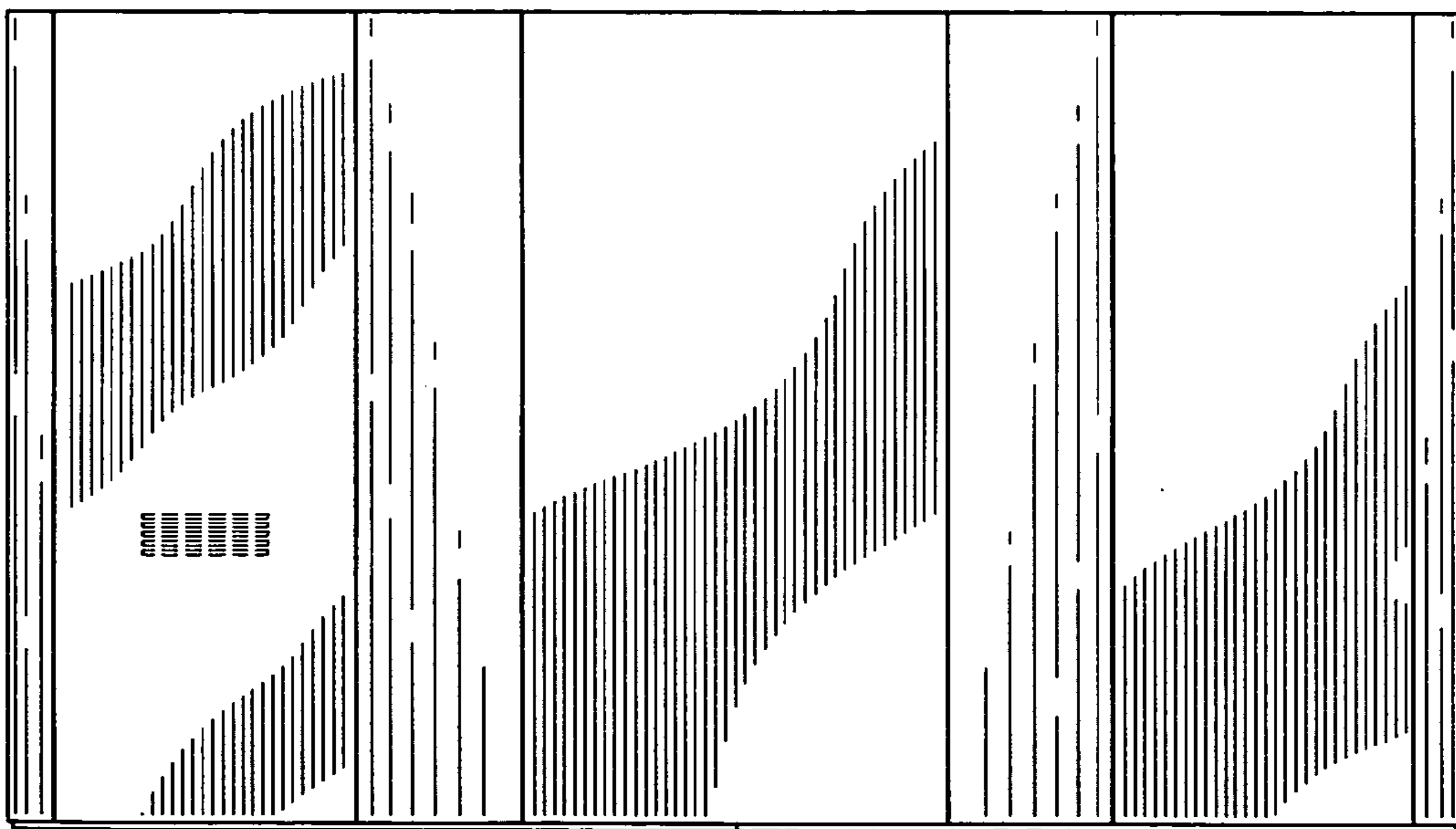


FIG-6

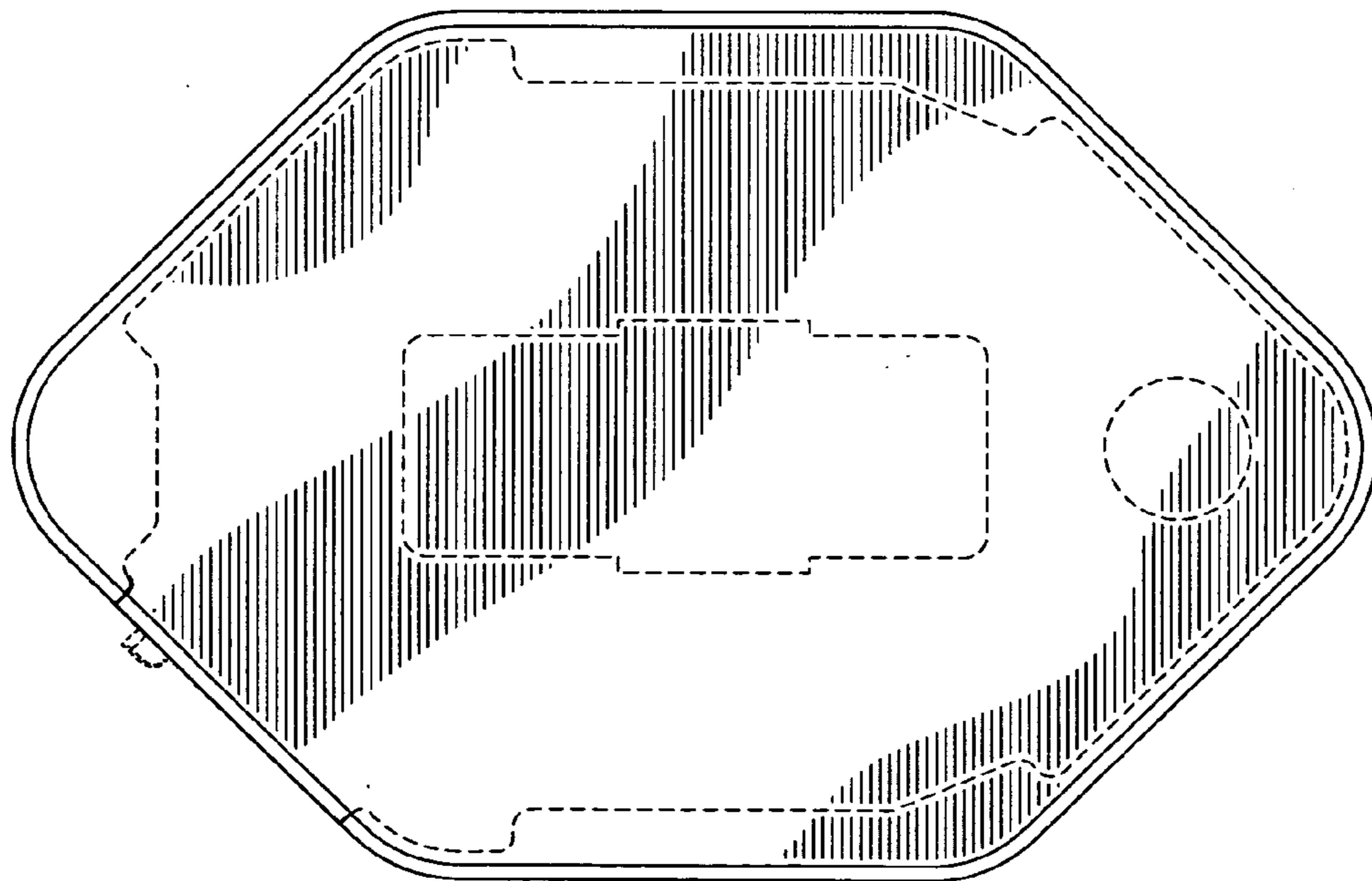
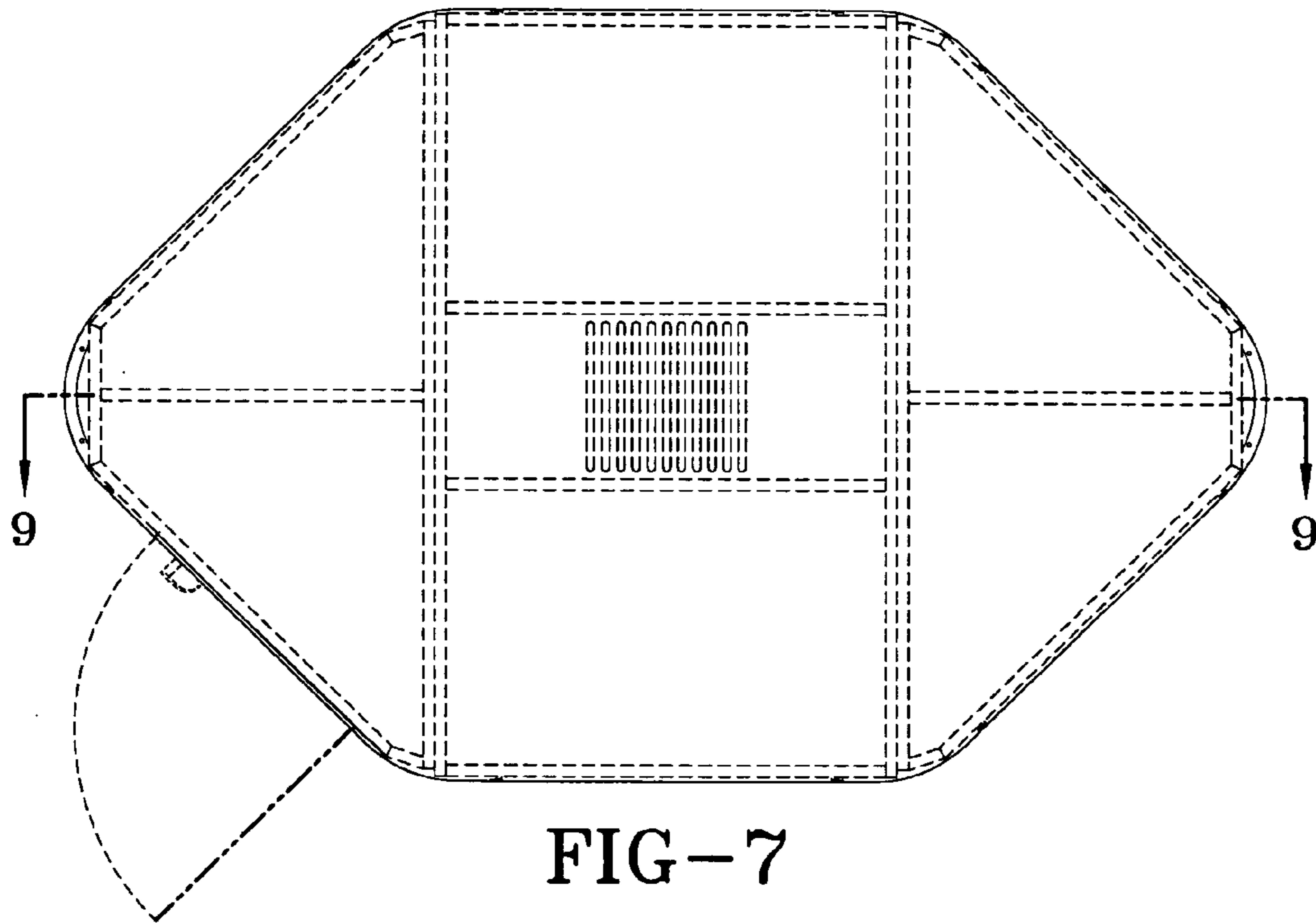


FIG-8

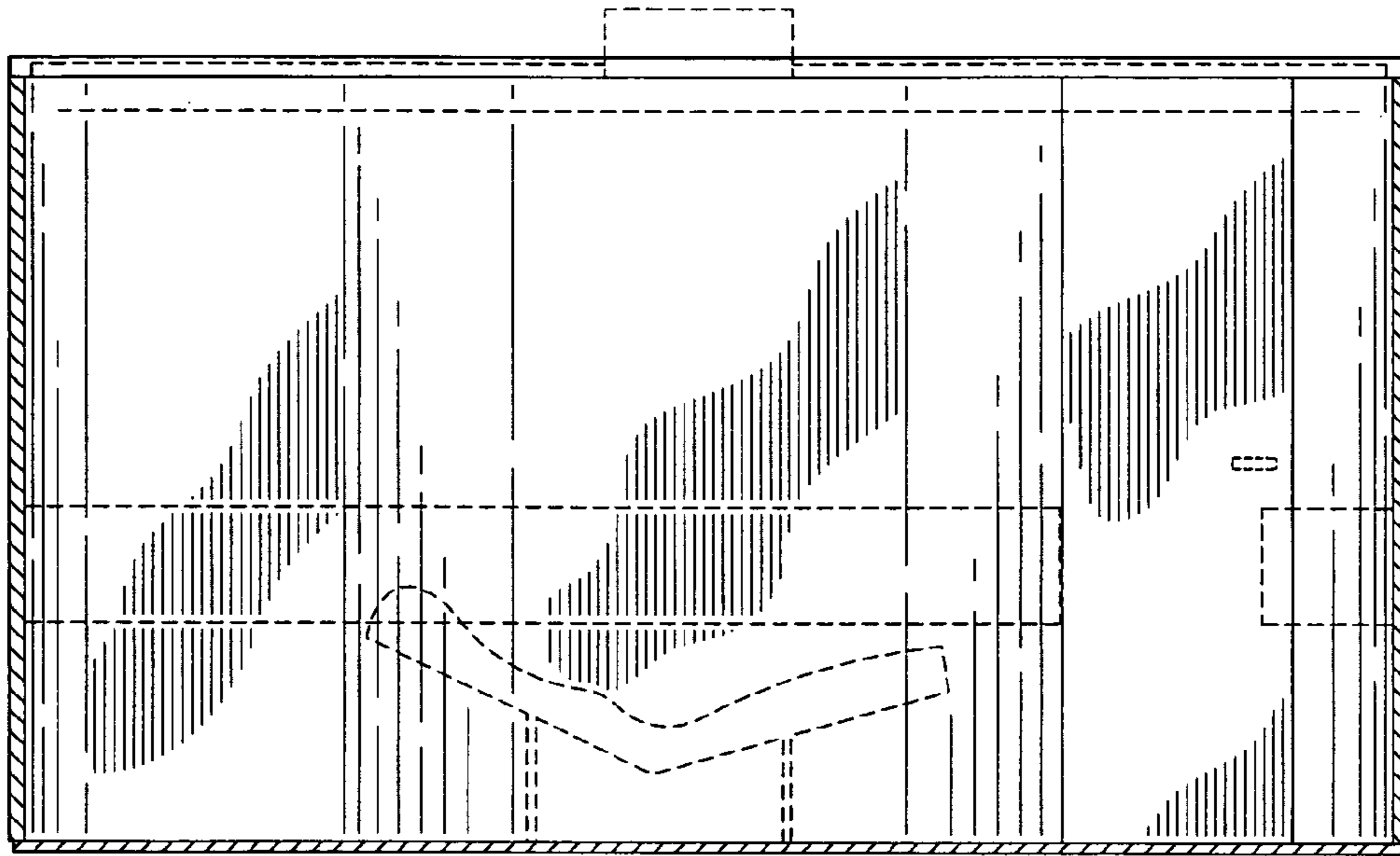


FIG-9

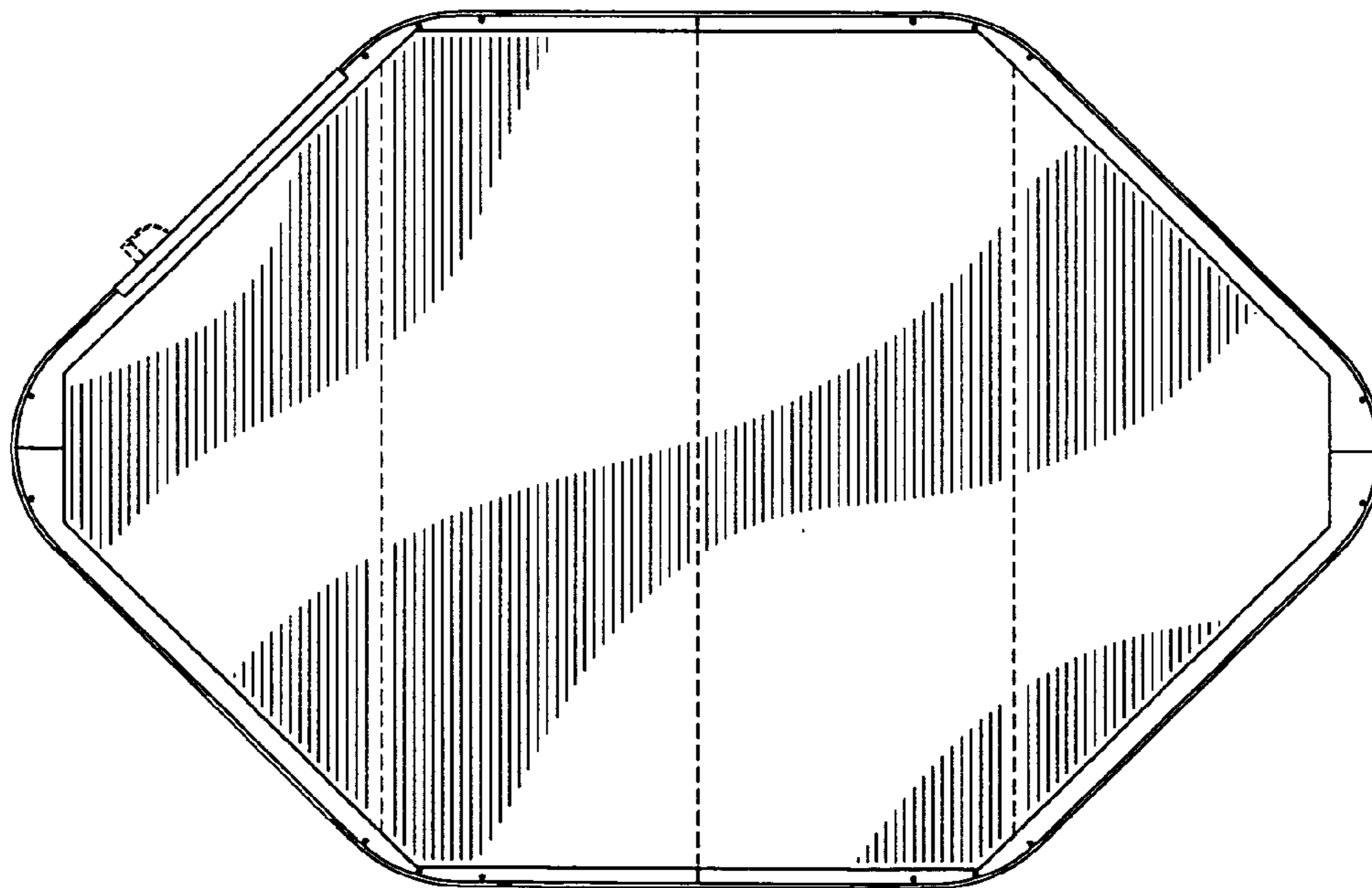


FIG-10