



US00D577125S

(12) **United States Design Patent**
Müller

(10) **Patent No.:** **US D577,125 S**

(45) **Date of Patent:** **** Sep. 16, 2008**

(54) **DENTAL MIXER**

(75) Inventor: **Wolfgang Müller**, Lustenau (AT)

(73) Assignee: **Ivoclar Vivadent AG**, Schaan (LI)

(**) Term: **14 Years**

(21) Appl. No.: **29/293,420**

(22) Filed: **Nov. 21, 2007**

(51) **LOC (8) Cl.** **24-01**

(52) **U.S. Cl.** **D24/221**

(58) **Field of Classification Search** D24/216–221,
D24/231, 232; D7/376, 386; 433/25, 49–51;
366/602

See application file for complete search history.

(56) **References Cited**

U.S. PATENT DOCUMENTS

D226,916	S	*	5/1973	Webb	D24/221
D244,379	S	*	5/1977	Moon	D24/221
4,199,866	A	*	4/1980	Drury	366/602
D258,085	S	*	1/1981	Porteous	D24/221
D270,371	S	*	8/1983	Lee et al.	D24/220
D283,540	S	*	4/1986	Rhoades	D24/221
D301,926	S	*	6/1989	Weissman	D24/221
D421,653	S	*	3/2000	Purcell	D24/231
D527,462	S	*	8/2006	Raimann	D24/219
D545,437	S	*	6/2007	Gruenenfelder et al.	D24/176

* cited by examiner

Primary Examiner—Louis S Zarfaz
Assistant Examiner—Anhdao Doan

(74) *Attorney, Agent, or Firm*—John C. Thompson; Alan S. Korman; Sandra J. Thompson

(57) **CLAIM**

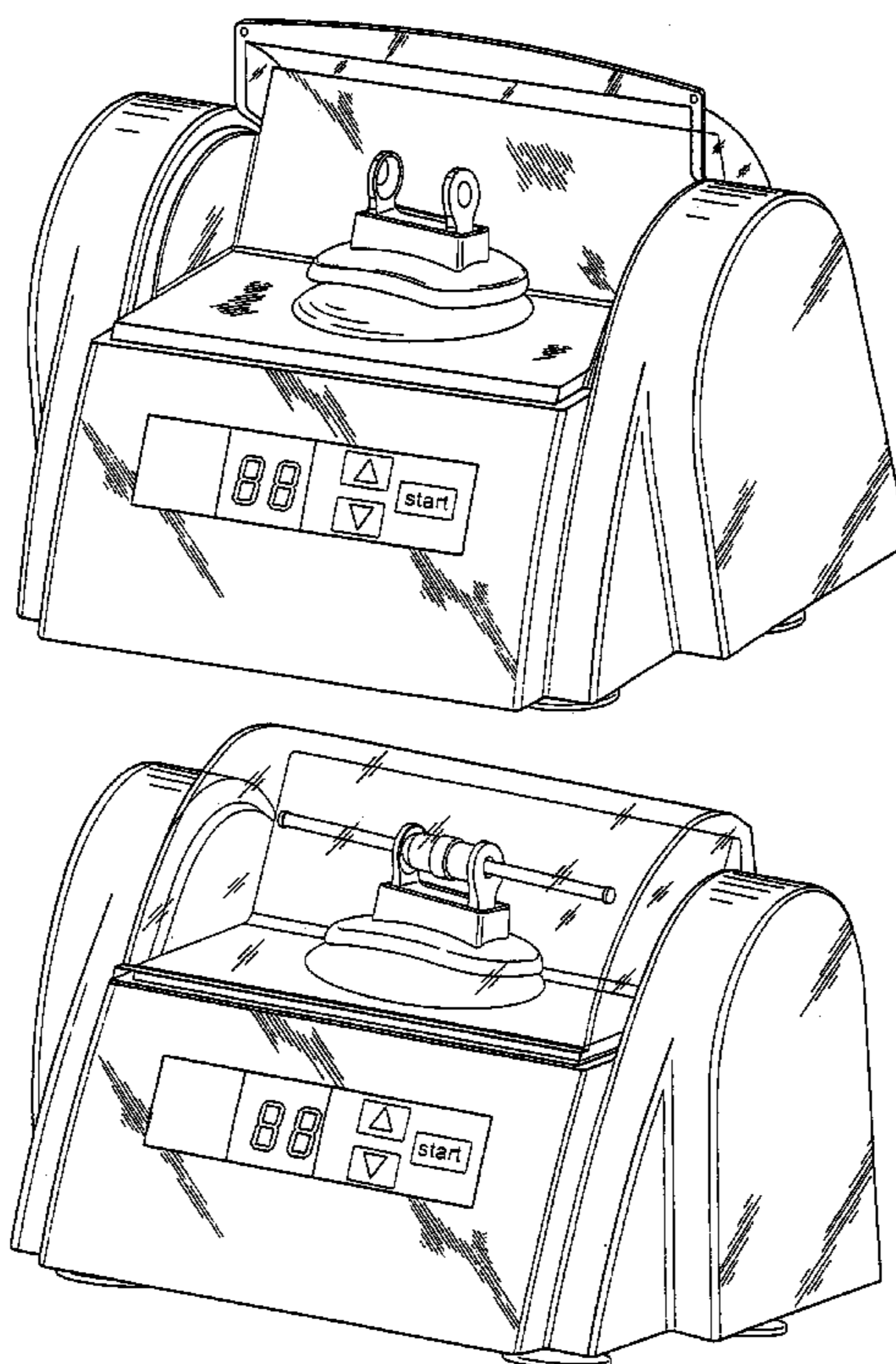
I claim the ornamental design for a dental mixer, as shown and described.

DESCRIPTION

FIG. 1 is a front view of a first embodiment of a dental mixer;
 FIG. 2 is a perspective view thereof;
 FIG. 3 is a top view thereof;
 FIG. 4 is a rear view thereof;
 FIG. 5 is a side view thereof;
 FIG. 6 is another side view thereof;
 FIG. 7 is a bottom view thereof;
 FIG. 8 is a front view of a second embodiment of a dental mixer;
 FIG. 9 is a perspective view thereof;
 FIG. 10 is a top view thereof;
 FIG. 11 is a rear view thereof;
 FIG. 12 is a side view thereof;
 FIG. 13 is another side view thereof; and,
 FIG. 14 is a bottom view thereof.

The broken lines in FIGS. 3, 4, 10, and 11 are included for the purpose of illustrating a portion of the dental mixer that forms no part of the claimed design.

1 Claim, 14 Drawing Sheets



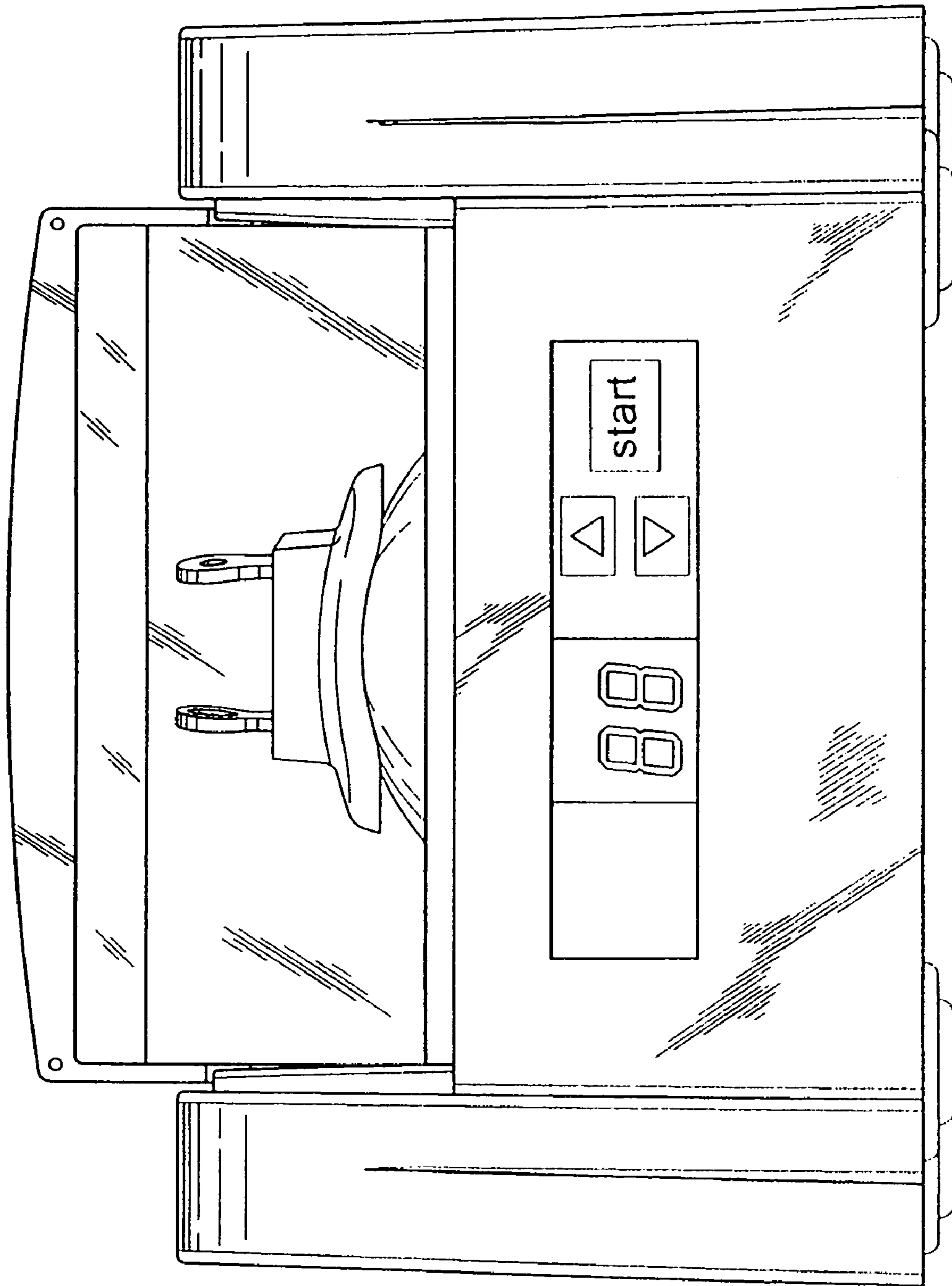


Fig. 1

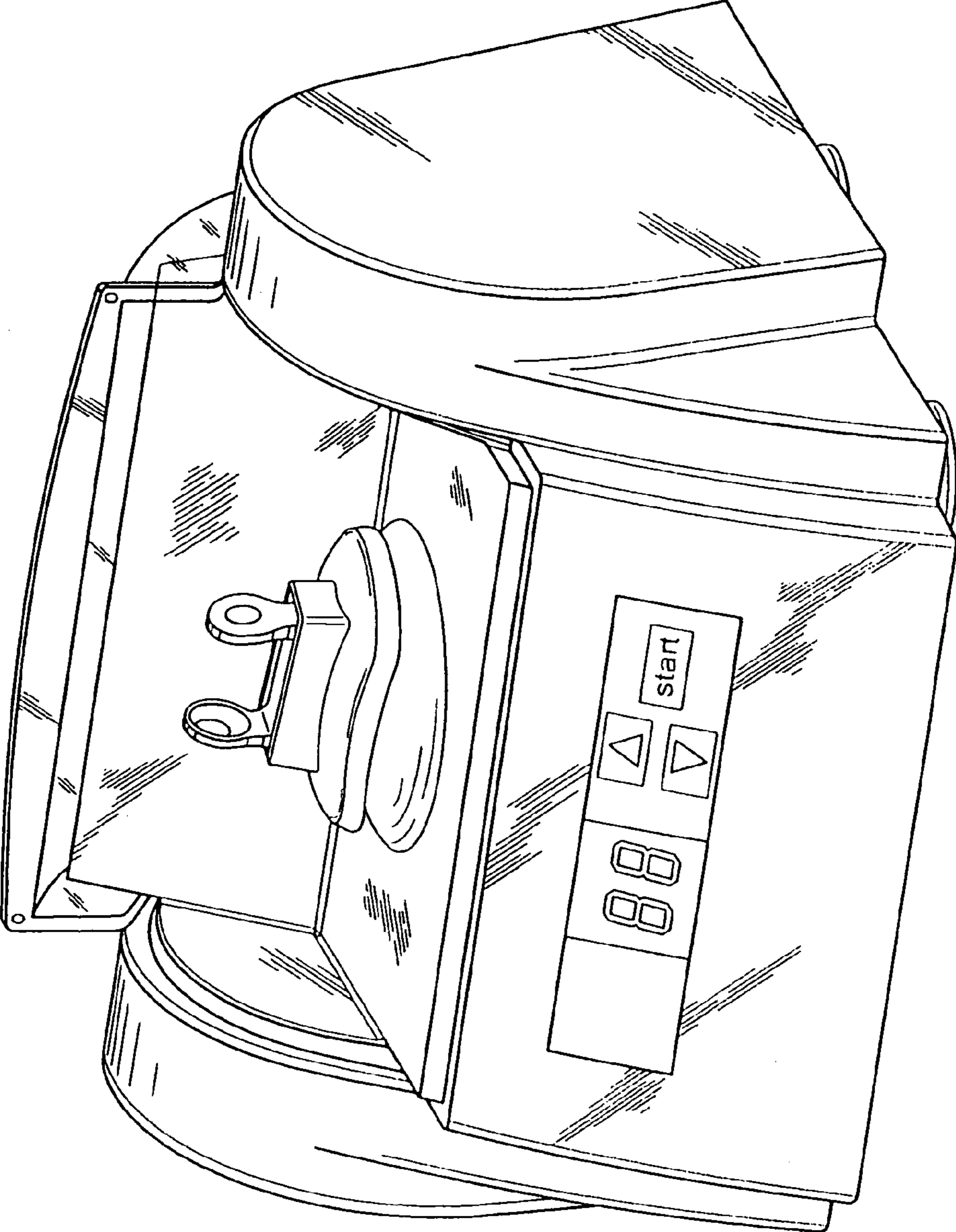


Fig. 2

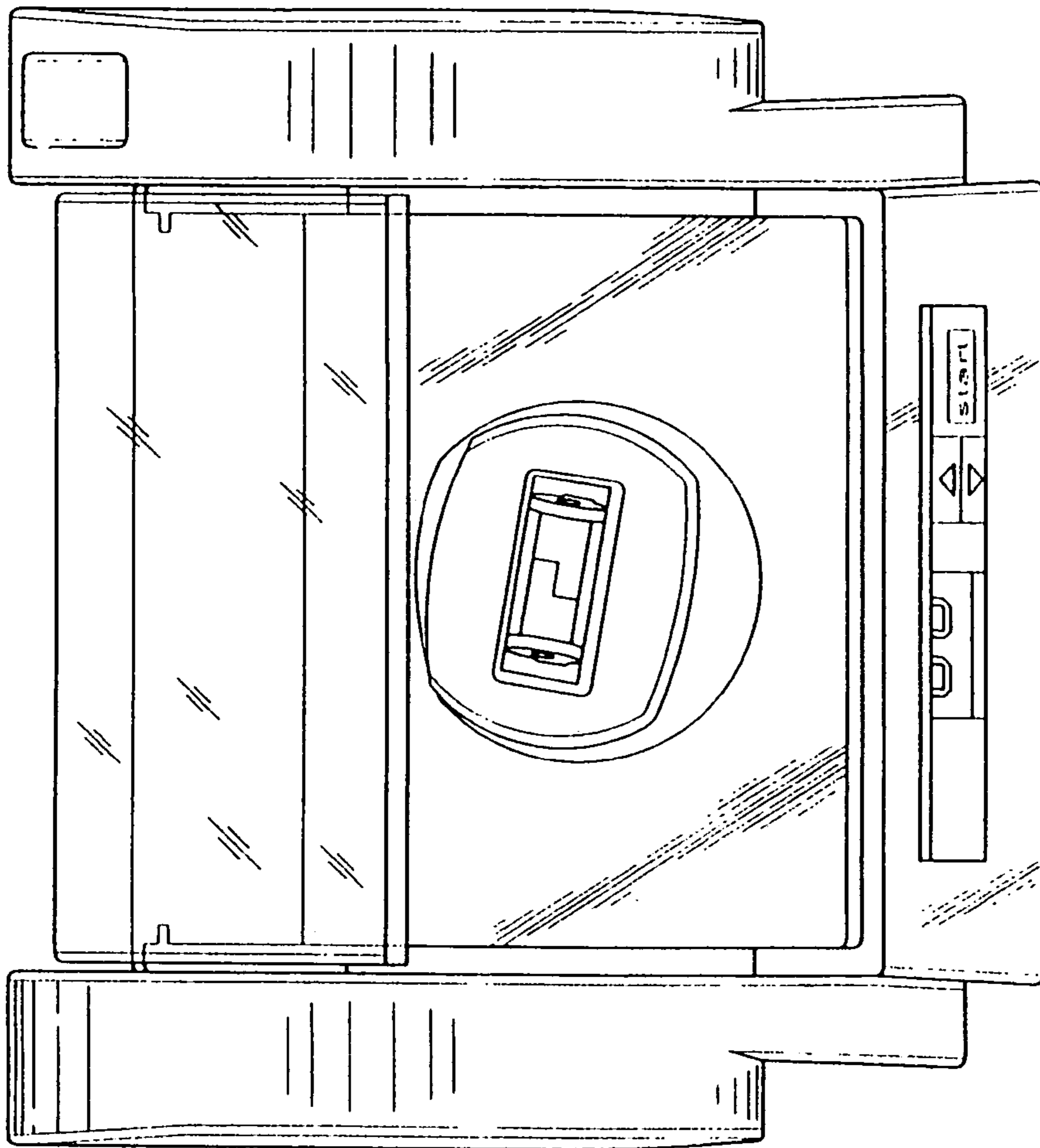


Fig. 3

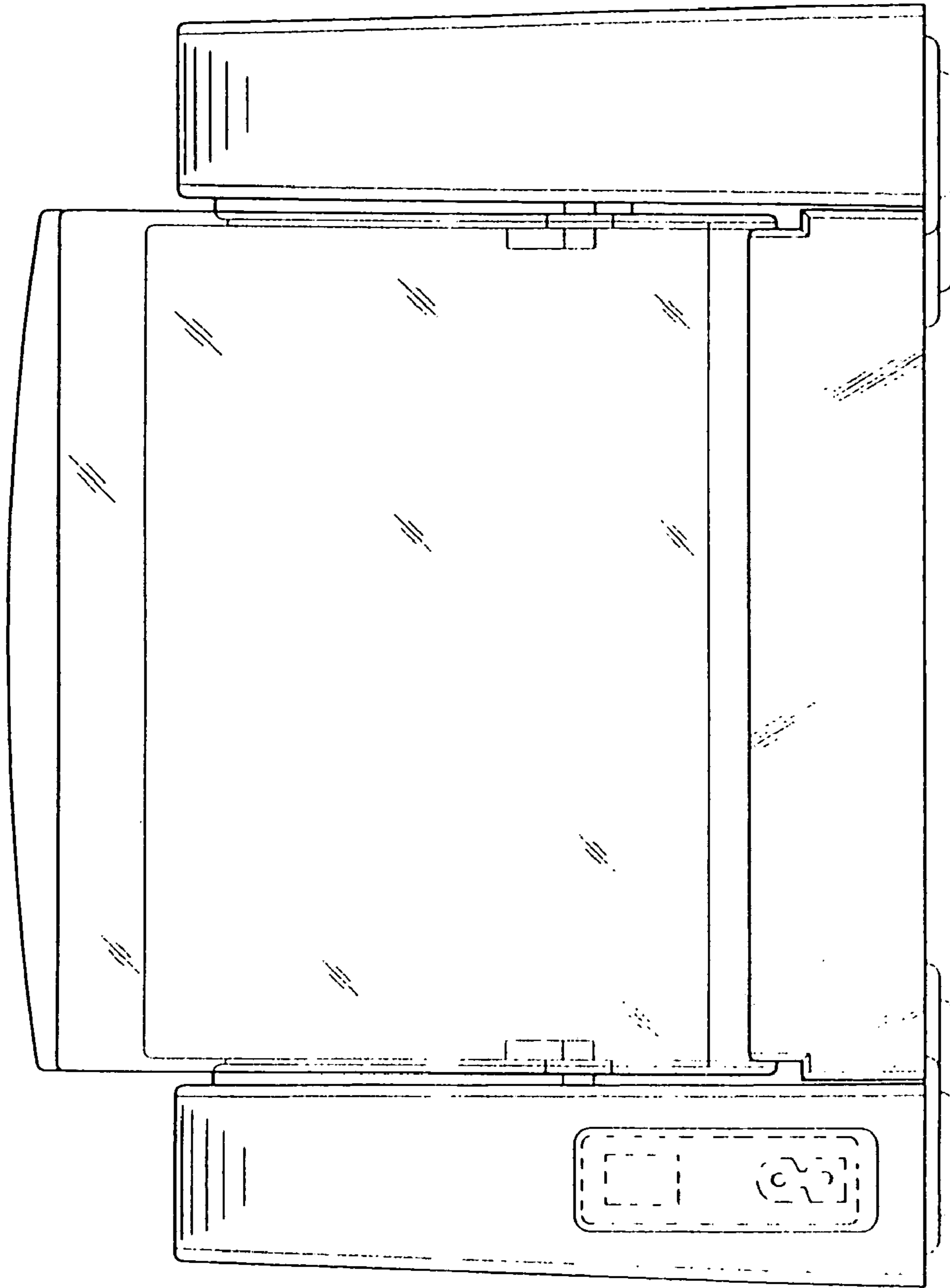


Fig. 4

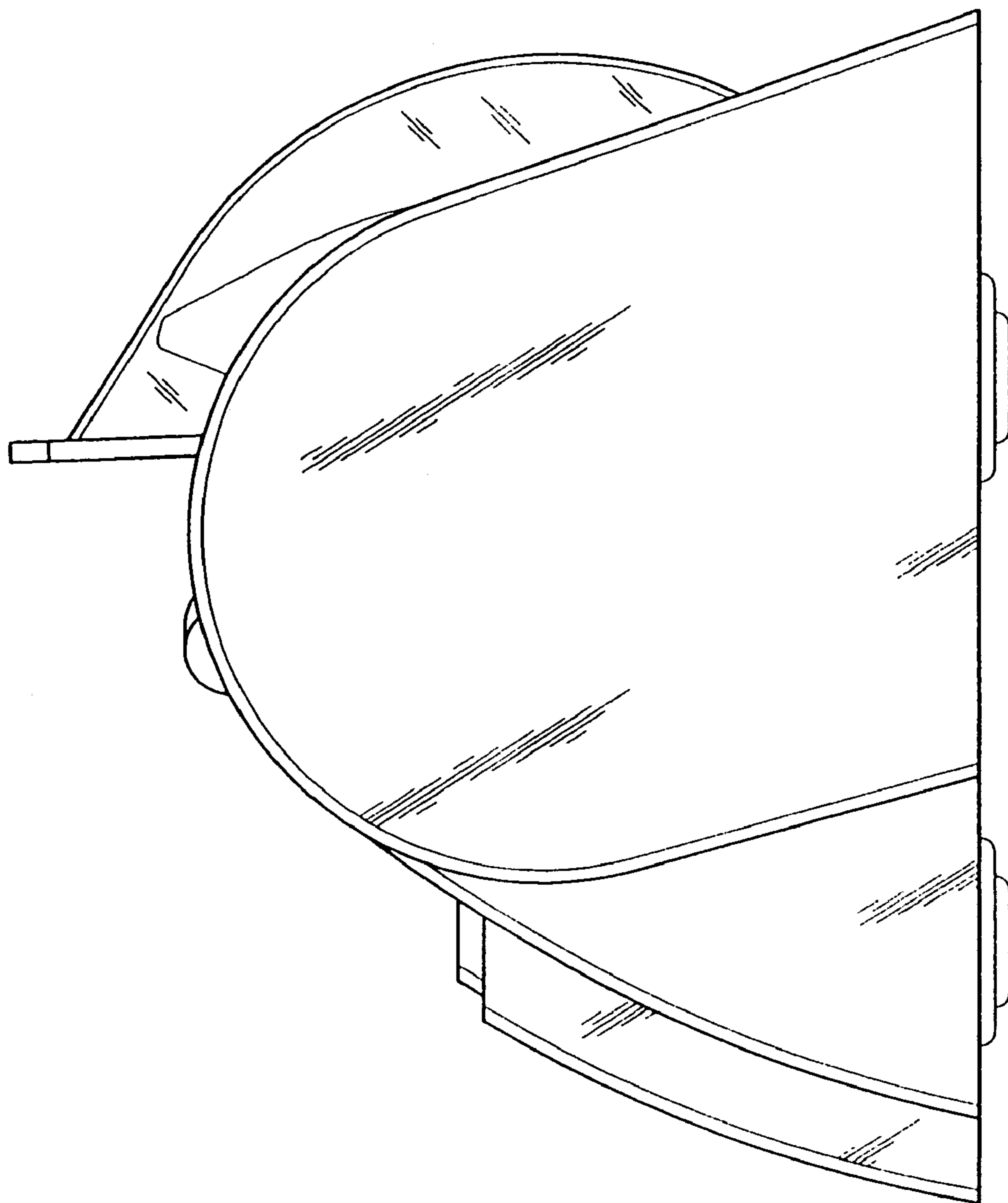


Fig. 5

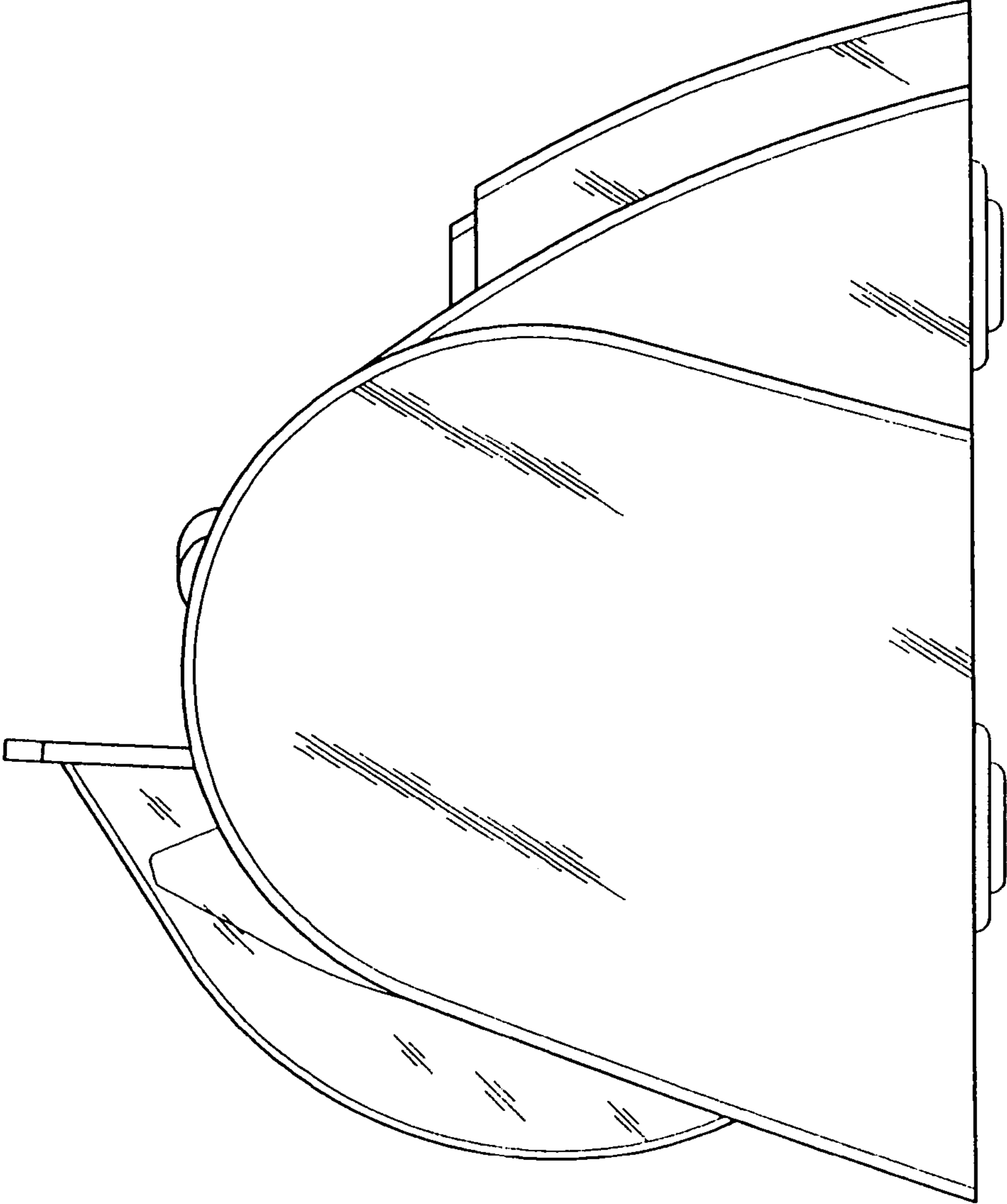


Fig. 6

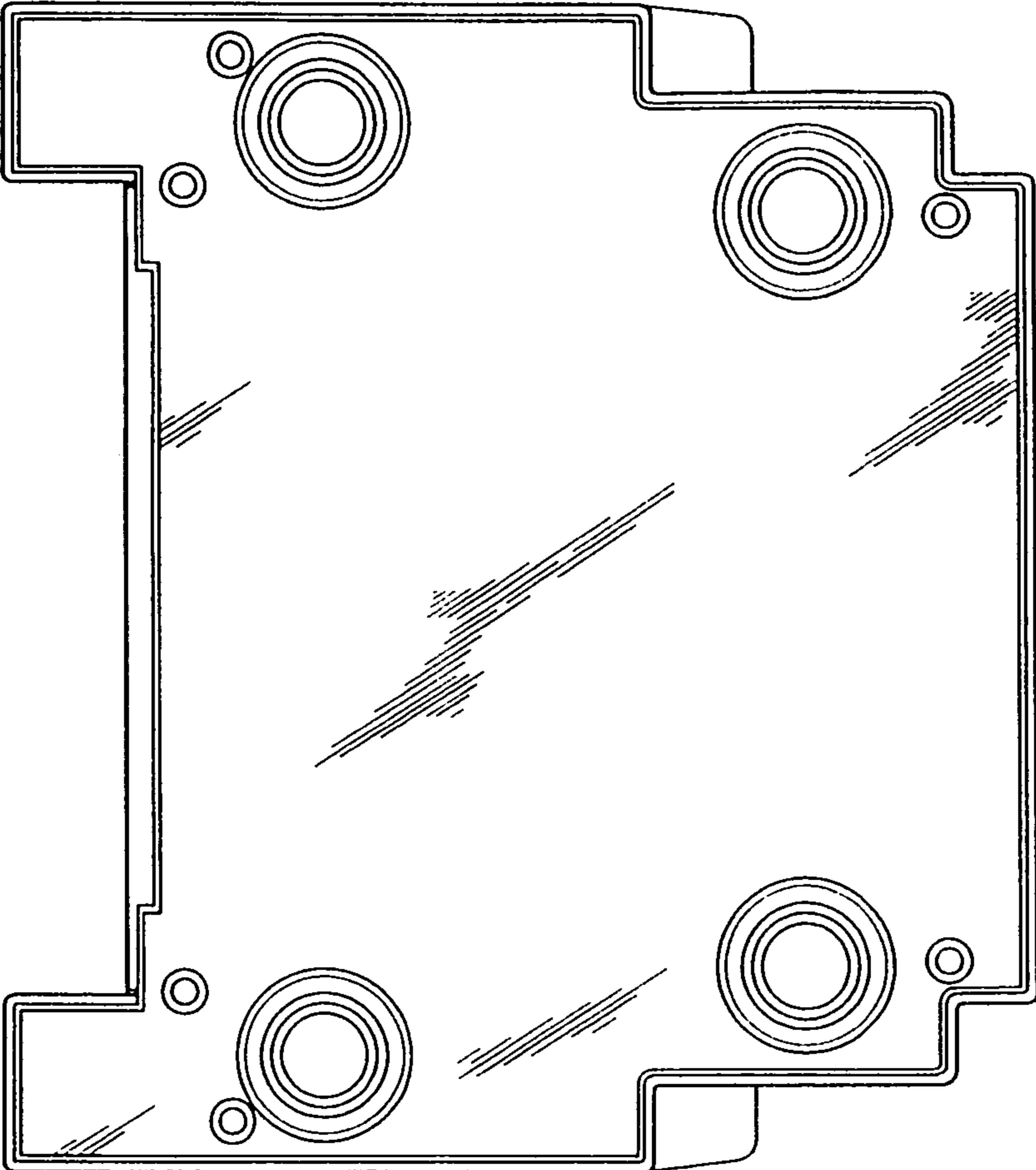


Fig. 7

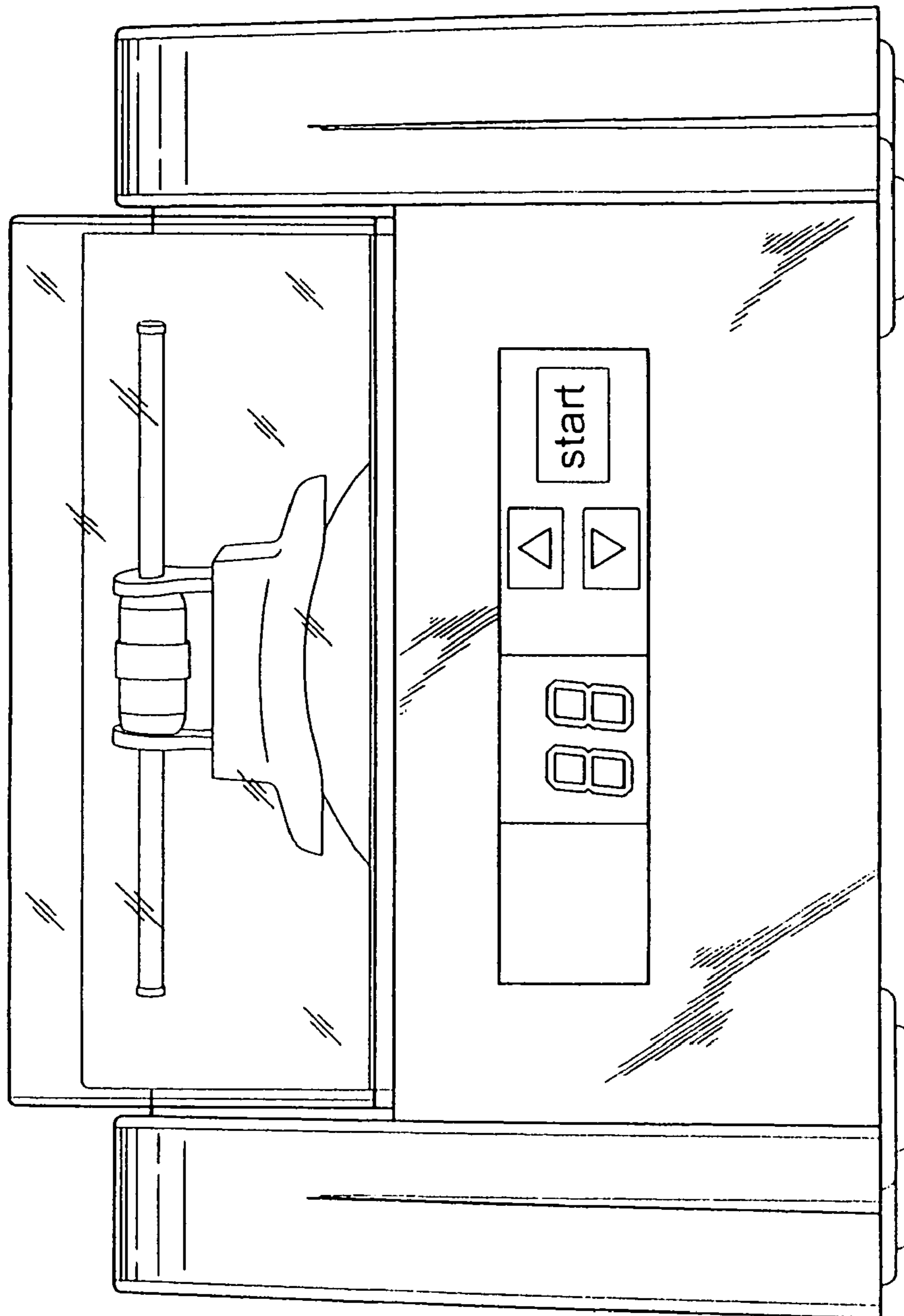


Fig. 8

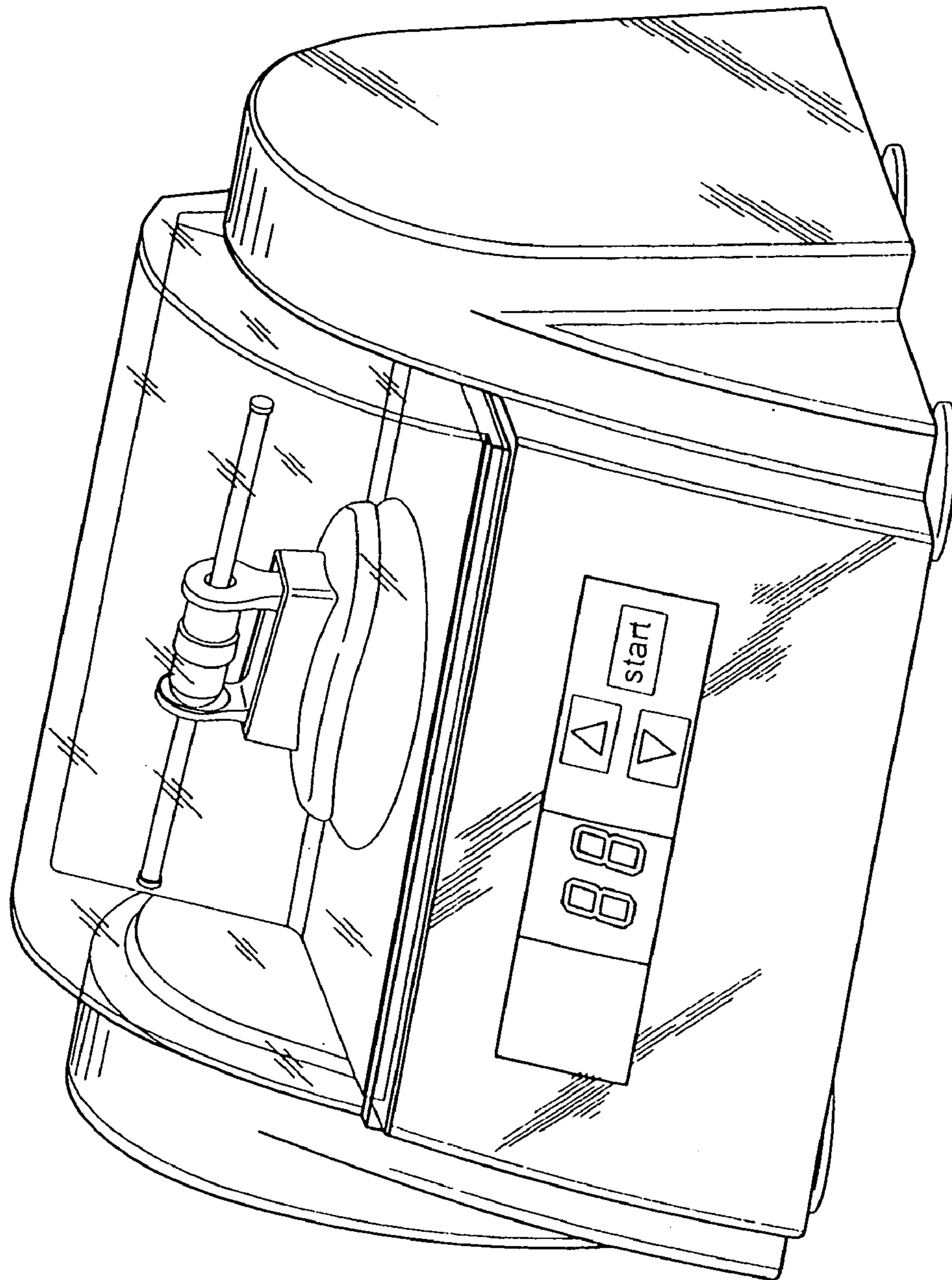


Fig. 9

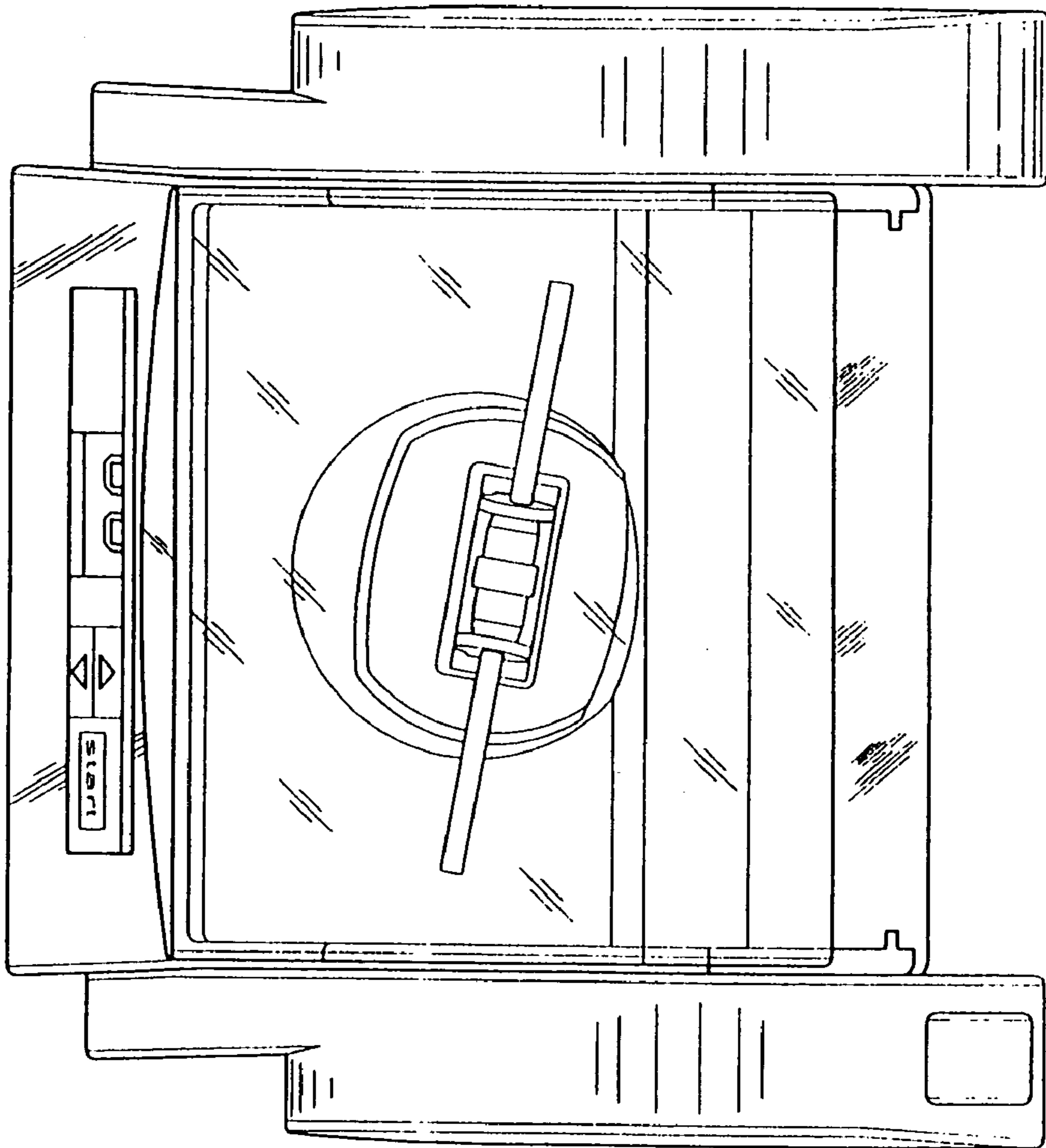


Fig. 10

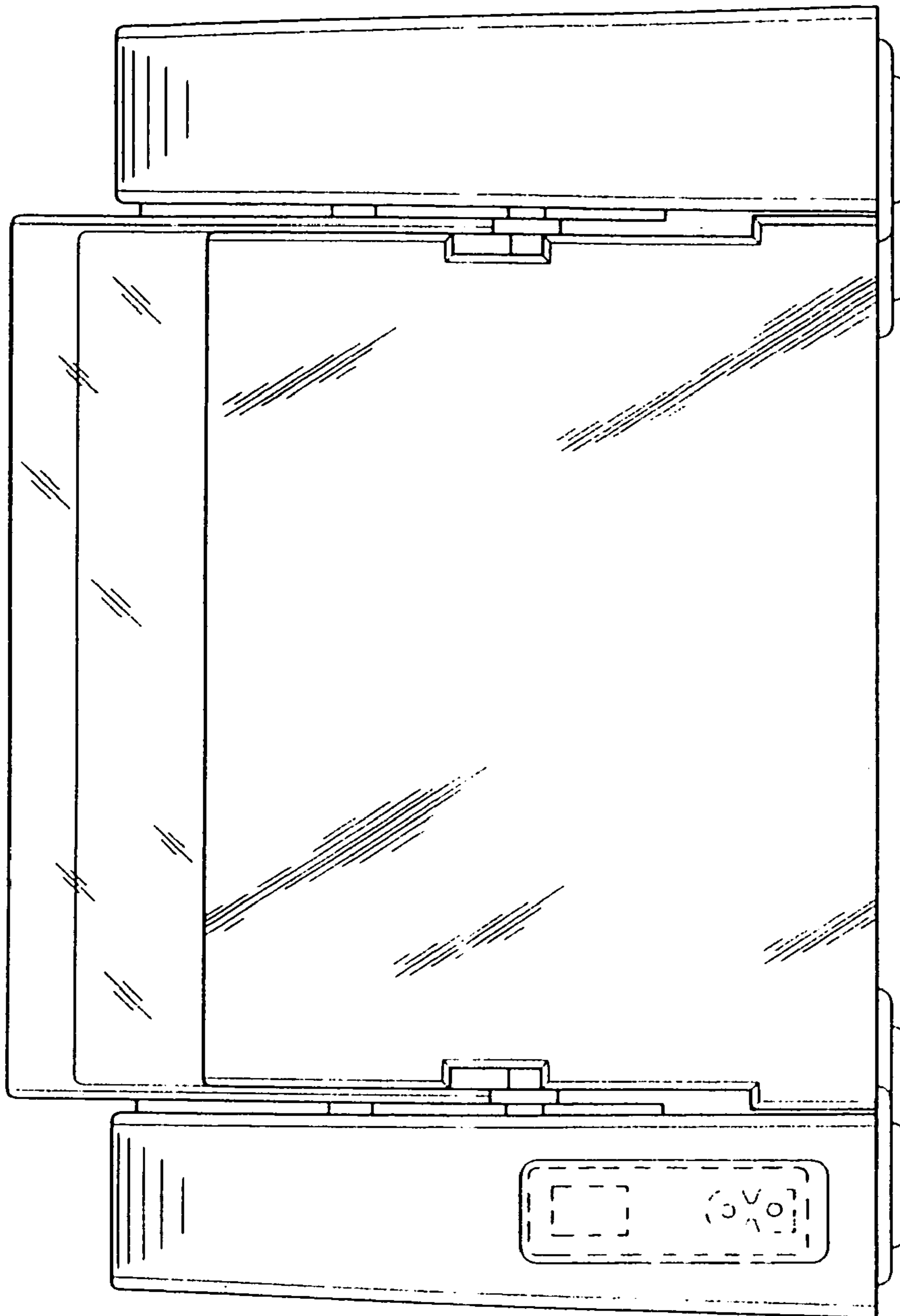


Fig. 11

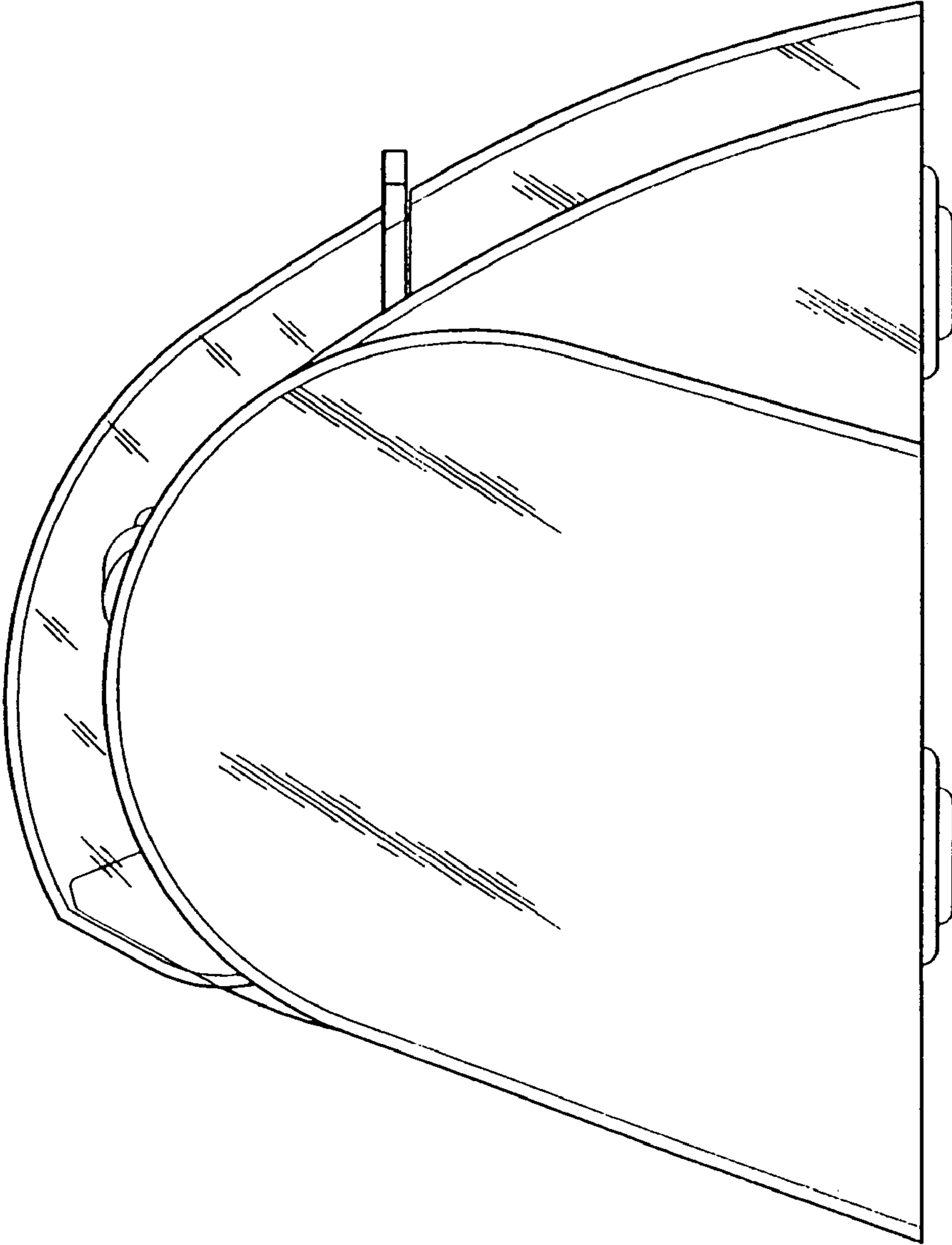


Fig. 12

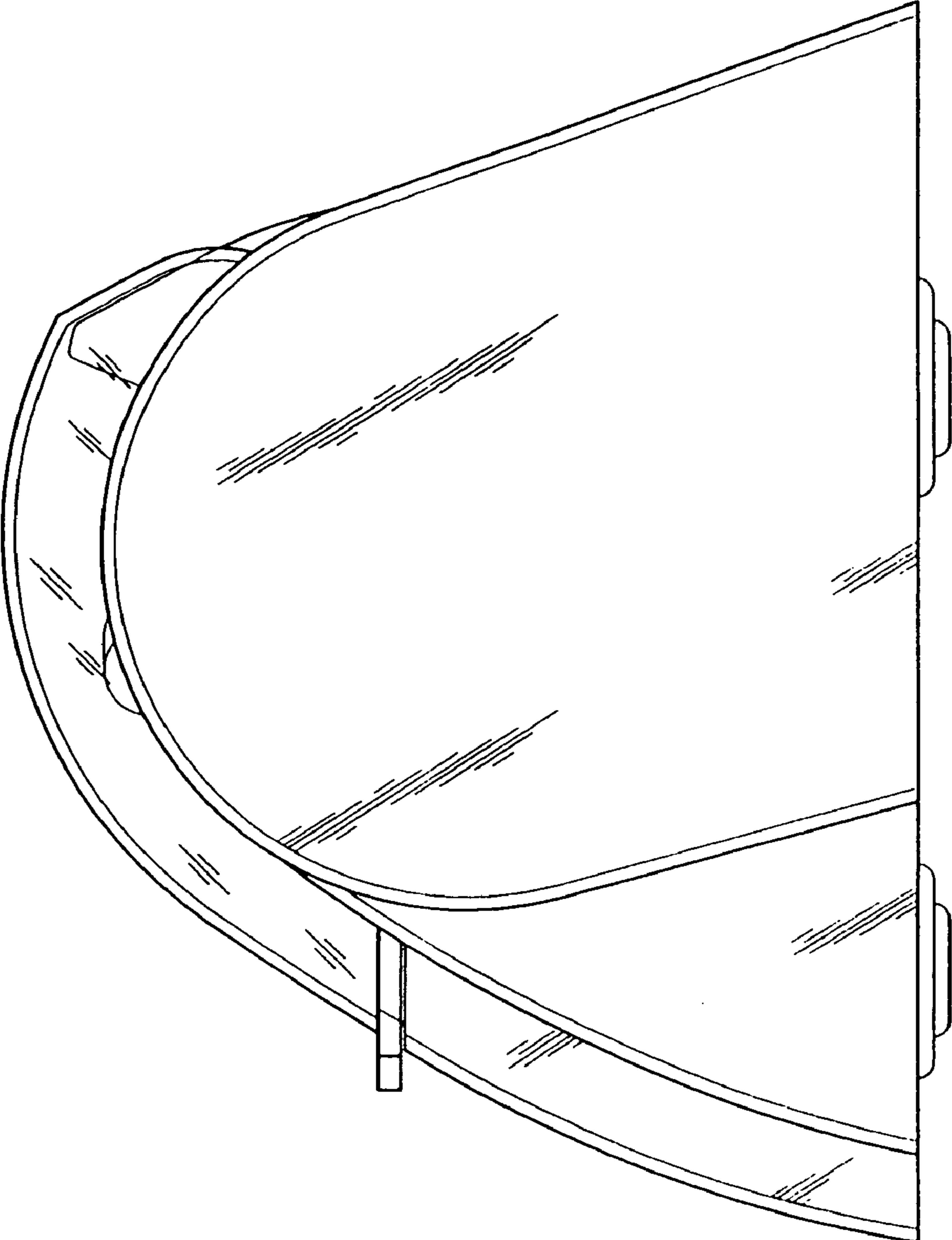


Fig. 13

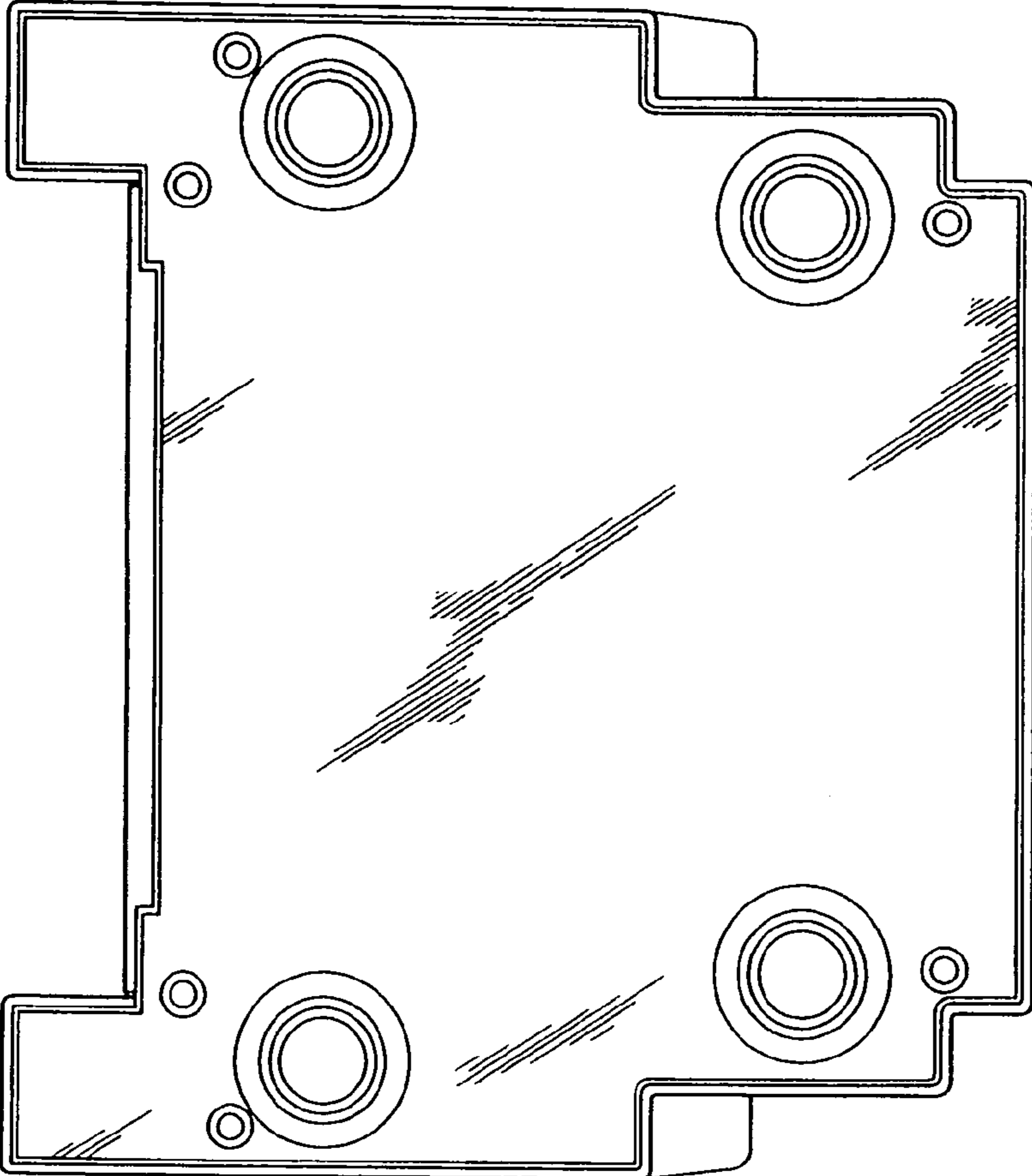


Fig. 14

UNITED STATES PATENT AND TRADEMARK OFFICE
CERTIFICATE OF CORRECTION

PATENT NO. : Des. 577,125 S
APPLICATION NO. : 29/293420
DATED : September 16, 2008
INVENTOR(S) : Wolfgang Müller

Page 1 of 1

It is certified that error appears in the above-identified patent and that said Letters Patent is hereby corrected as shown below:

Title page item [30] insert
--Foreign Application Priority Data
German Design Application 407 02 698.3 filed May 21, 2007--

Signed and Sealed this

Sixteenth Day of December, 2008

A handwritten signature in black ink that reads "Jon W. Dudas". The signature is written in a cursive style with a large, looped initial "J".

JON W. DUDAS
Director of the United States Patent and Trademark Office