

US00D577123S

(12) **United States Design Patent**  
**True**

(10) **Patent No.:** **US D577,123 S**  
(45) **Date of Patent:** **\*\* Sep. 16, 2008**

(54) **ARM SLING**

(76) Inventor: **Charles W. True**, 14310 Alameda School Rd., Houston, TX (US) 77007

(\*\*) Term: **14 Years**

(21) Appl. No.: **29/273,574**

(22) Filed: **Mar. 8, 2007**

(51) **LOC (8) Cl.** ..... **24-01**

(52) **U.S. Cl.** ..... **D24/190**

(58) **Field of Classification Search** ..... D24/188-192;  
602/4-5, 20-21, 62; 128/77, 94, 878-880,  
128/DIG. 15; 607/21

See application file for complete search history.

(56) **References Cited**

**U.S. PATENT DOCUMENTS**

2,539,677	A *	1/1951	Teare	602/4
2,796,862	A *	6/1957	Borntraeger	602/4
2,875,754	A *	3/1959	Messer	602/21
3,215,138	A *	11/1965	Groesbeck	602/4
3,554,194	A *	1/1971	Johnson	602/4
D222,898	S *	1/1972	Morris	D24/190
3,706,310	A *	12/1972	Garnett	602/4
4,071,022	A	1/1978	Ewers	
4,220,149	A	9/1980	Mims, Jr.	
4,232,664	A	11/1980	Blatt	
4,285,337	A	8/1981	Cosentino	
4,327,909	A	5/1982	Neufeld	
4,355,635	A	10/1982	Bihl et al.	
4,369,775	A	1/1983	Gamm	
D267,976	S *	2/1983	Hammer	D24/190
4,372,301	A	2/1983	Hubbard et al.	
4,373,517	A	2/1983	Criscuolo	
4,437,459	A *	3/1984	Slavetskias	602/4
D273,516	S	4/1984	Saal	
4,476,859	A	10/1984	Kloepfer et al.	
4,497,316	A	2/1985	Lilla	
4,526,164	A	7/1985	Bihl	
4,564,008	A	1/1986	Donahoo	
4,572,172	A *	2/1986	Williams	602/4
4,598,702	A	7/1986	Lilla	
4,598,703	A	7/1986	Lindemann	

4,617,923	A	10/1986	Coleman
4,622,961	A	11/1986	Christensen
4,625,719	A	12/1986	Chamber
4,716,895	A	1/1988	Marques et al.
4,733,658	A	3/1988	Ruthven, Jr.
4,759,353	A	7/1988	Melendez et al.

(Continued)

*Primary Examiner*—Robert M. Spear  
*Assistant Examiner*—Susan E Krakower  
(74) *Attorney, Agent, or Firm*—Michael L Parks

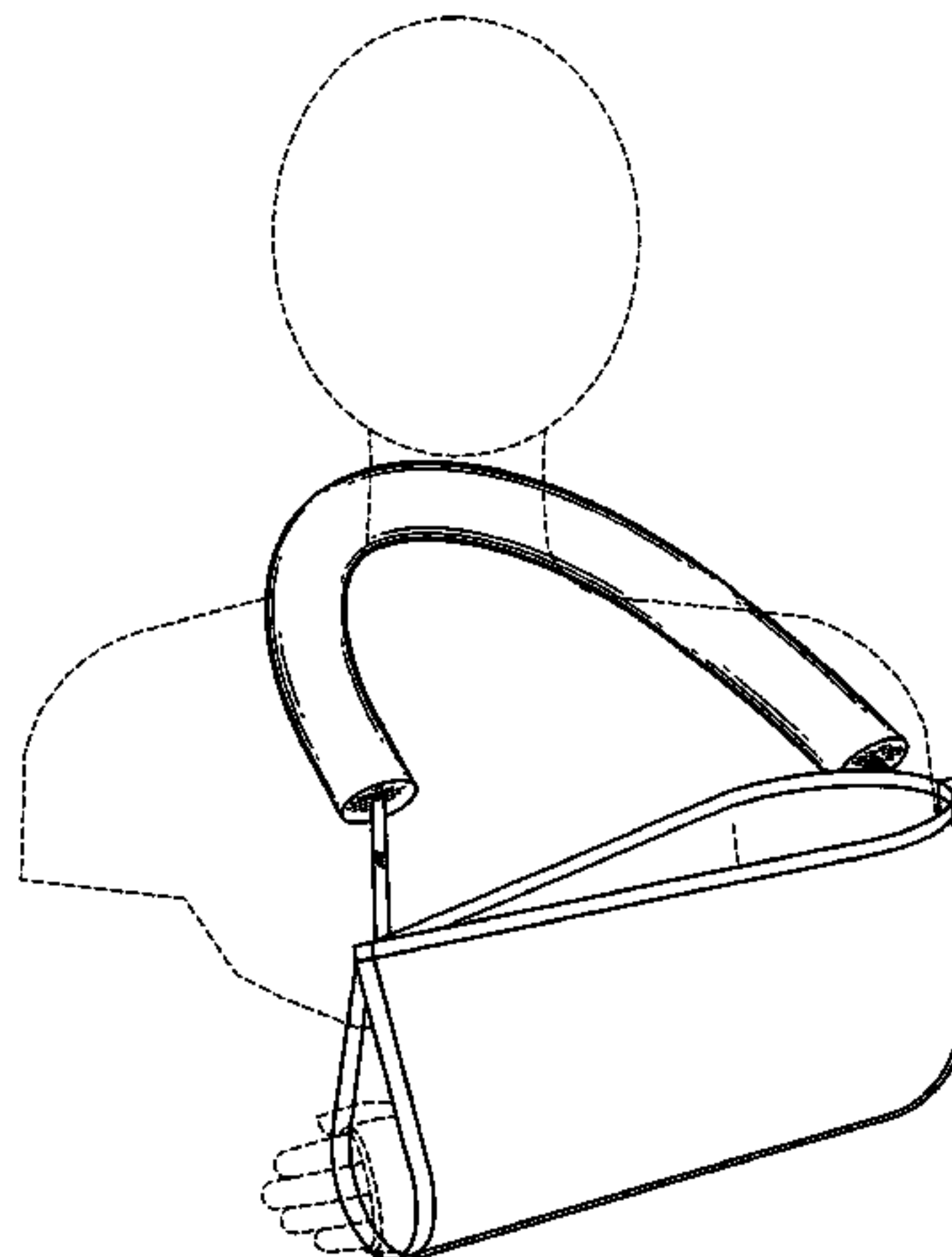
(57) **CLAIM**

The ornamental design for an arm sling, as shown and described.

**DESCRIPTION**

FIG. 1 is a perspective view of an arm sling showing my new design;  
FIG. 2 is a front view of an arm sling showing my new design;  
FIG. 3 is a left side view of an arm sling showing my new design;  
FIG. 4 is a back view of an arm sling showing my new design;  
FIG. 5 is a right side view of an arm sling showing my new design;  
FIG. 6 is a top perspective view of an arm sling showing my new design; and,  
FIG. 7 is a bottom perspective view of an arm sling showing my new design.  
The broken lines in the drawings represent unclaimed environmental subject matter.

**1 Claim, 4 Drawing Sheets**



# US D577,123 S

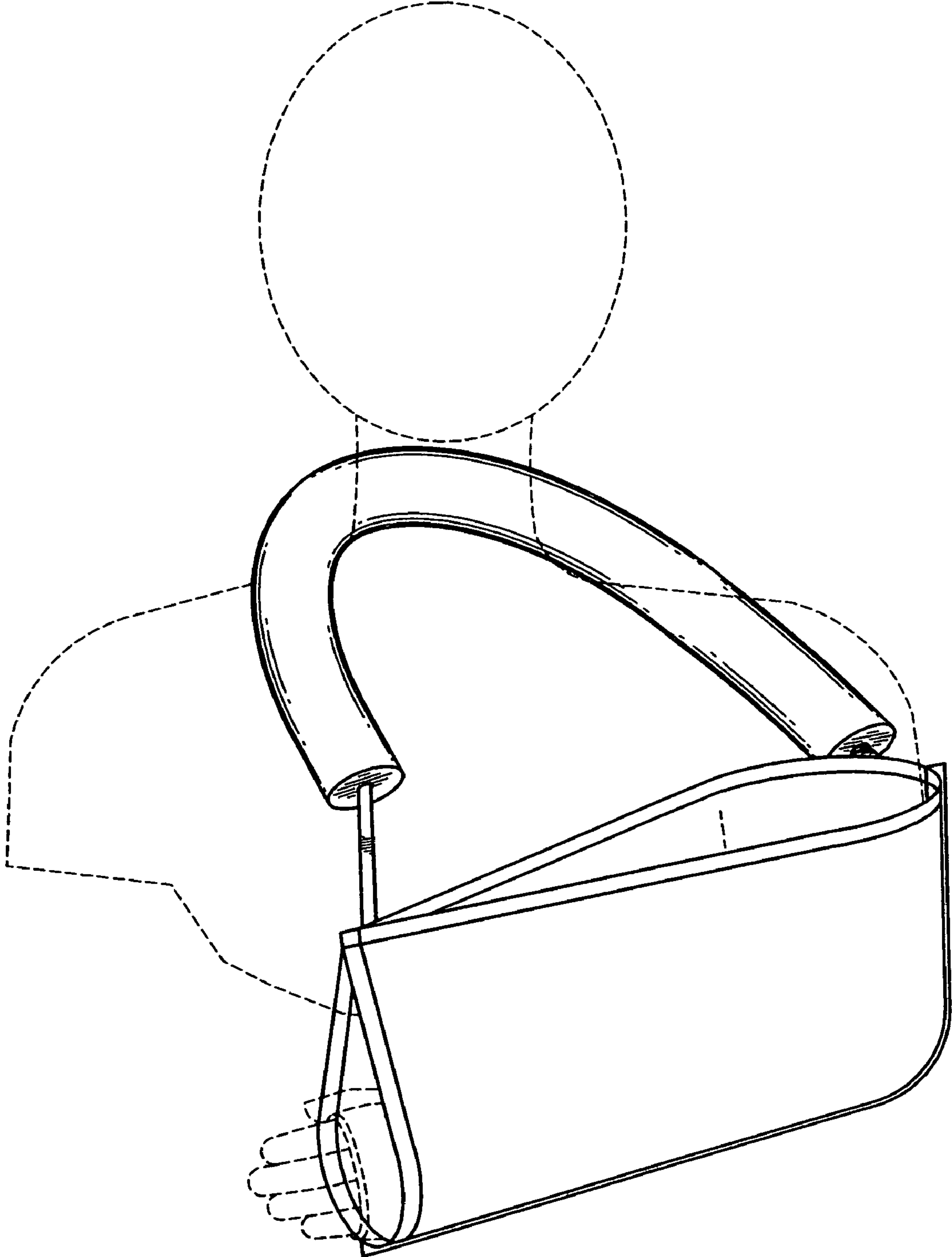
Page 2

## U.S. PATENT DOCUMENTS

4,834,082 A	5/1989	Ghadiali	6,145,131 A	11/2000	Huff
4,895,142 A	1/1990	Liptak	6,406,449 B1	6/2002	Moore et al.
4,901,713 A	2/1990	Troeger	6,464,656 B1	10/2002	Salvucci et al.
4,986,266 A	1/1991	Lindemann	6,595,936 B1	7/2003	Oladipo
5,334,132 A	8/1994	Burkhead	6,770,044 B1	8/2004	Joslin
5,393,300 A	2/1995	Bauerfeind et al.	6,817,032 B2	11/2004	Hollander
5,413,552 A	5/1995	Iwuala	D504,518 S *	4/2005	Diaz et al. .... D24/190
D365,636 S	12/1995	Kilbey	D507,652 S *	7/2005	Tauber ..... D24/190
5,569,172 A	10/1996	Padden et al.	6,932,781 B2	8/2005	Itoi
5,651,143 A	7/1997	Zehrun	6,945,945 B2	9/2005	Givler et al.
5,746,705 A	5/1998	Sheppard	6,974,429 B2	12/2005	Moore et al.
5,772,617 A	6/1998	Lay	6,976,971 B2	12/2005	Scudere
5,792,083 A	8/1998	Joslin	6,979,303 B2	12/2005	Jestrabek-Hart
6,095,993 A	8/2000	Hawkins	7,018,349 B1	3/2006	Joslin
6,102,877 A	8/2000	Joslin	D556,911 S *	12/2007	Tauber ..... D24/190
			D557,811 S *	12/2007	Brooks ..... D24/190

\* cited by examiner

Fig. 1



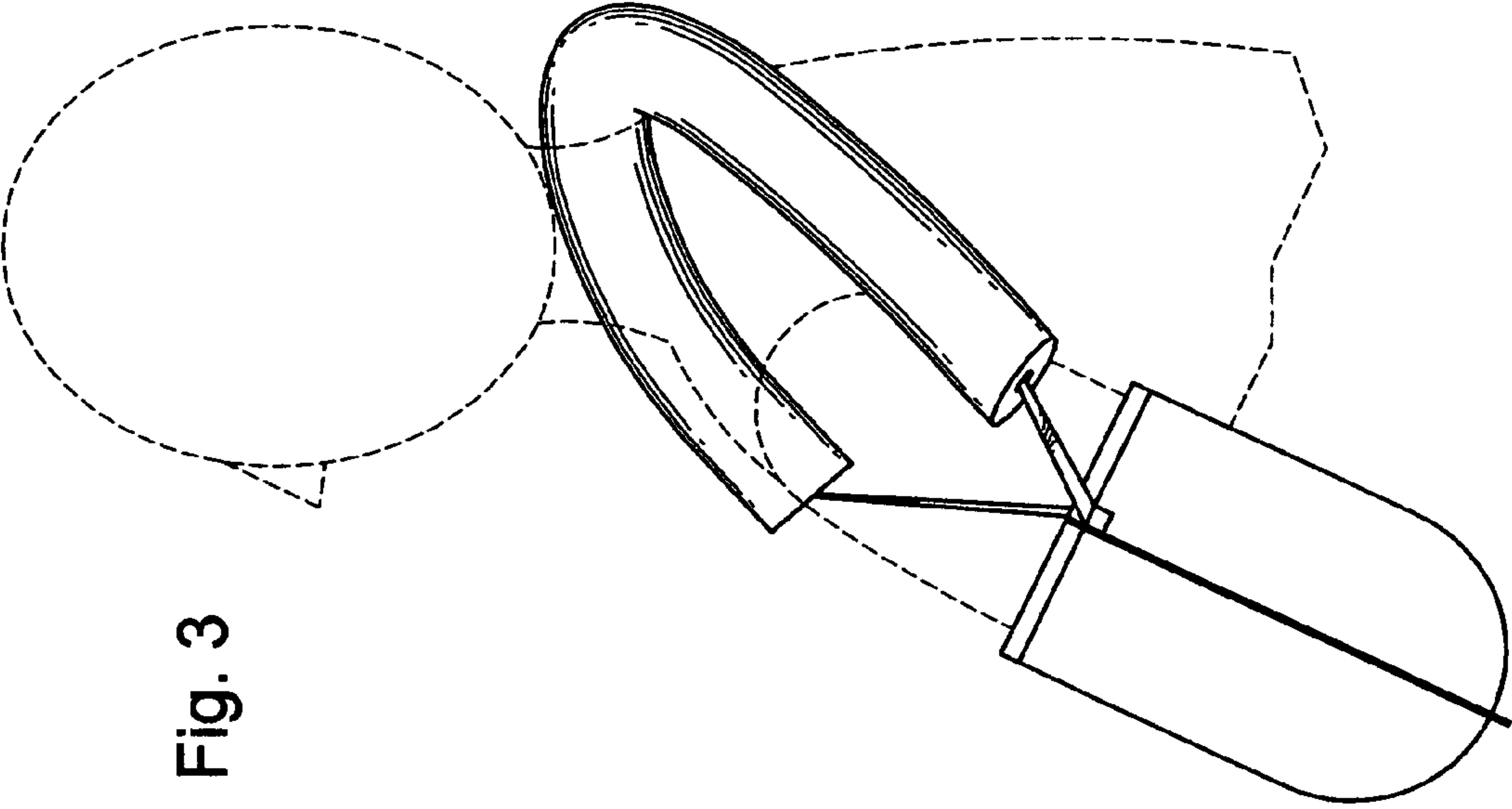


Fig. 3

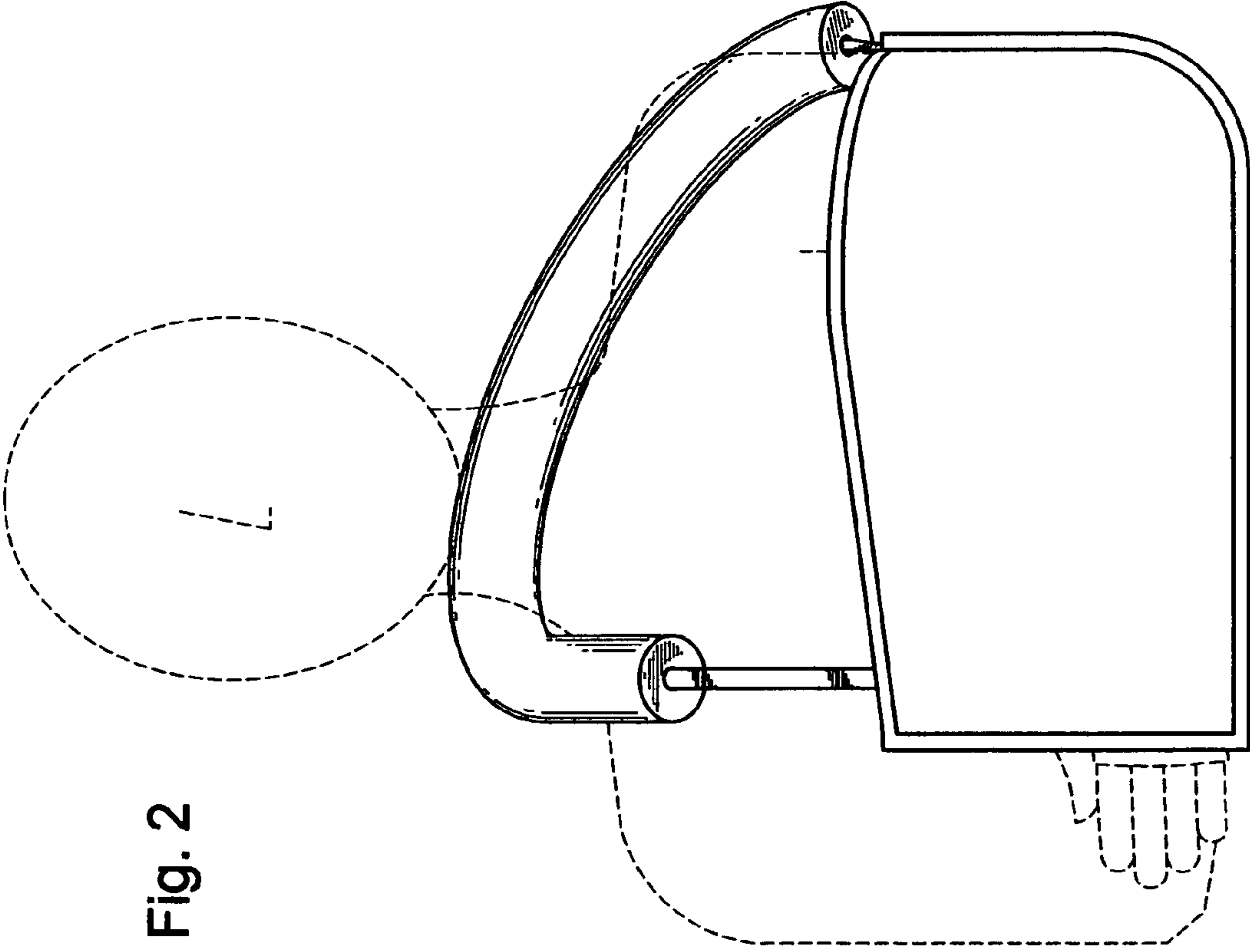


Fig. 2

Fig. 5

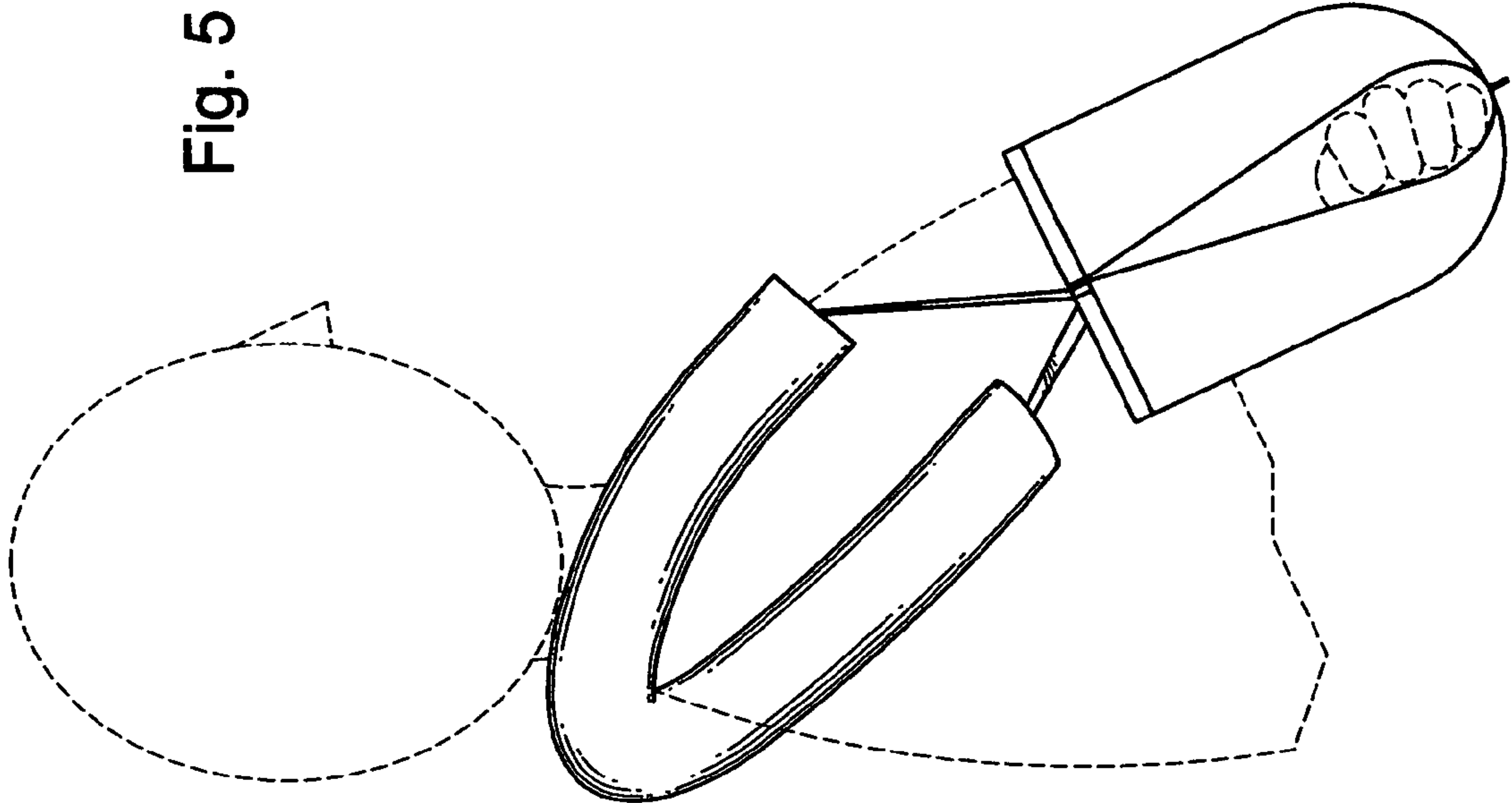


Fig. 4

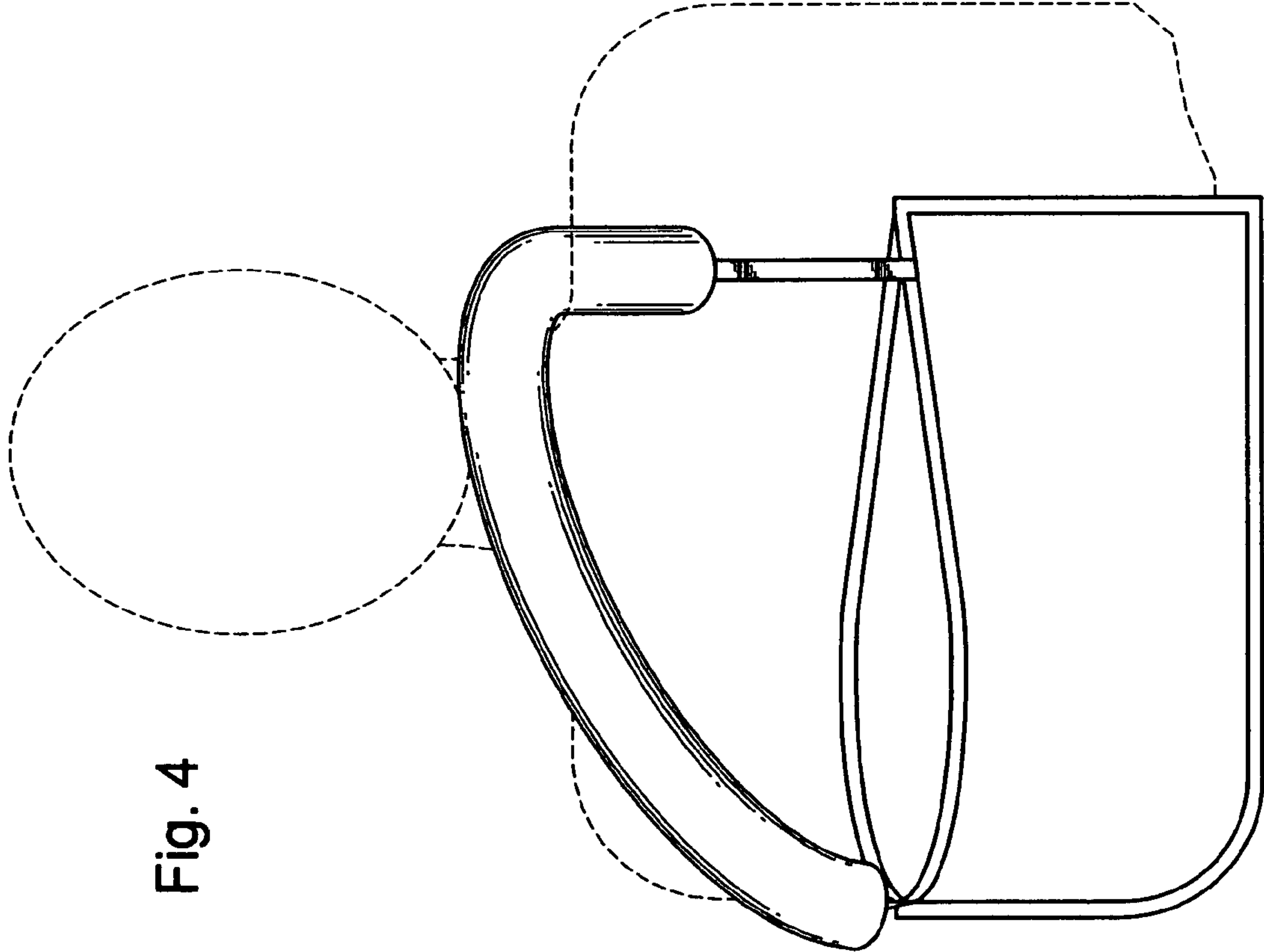




Fig. 7

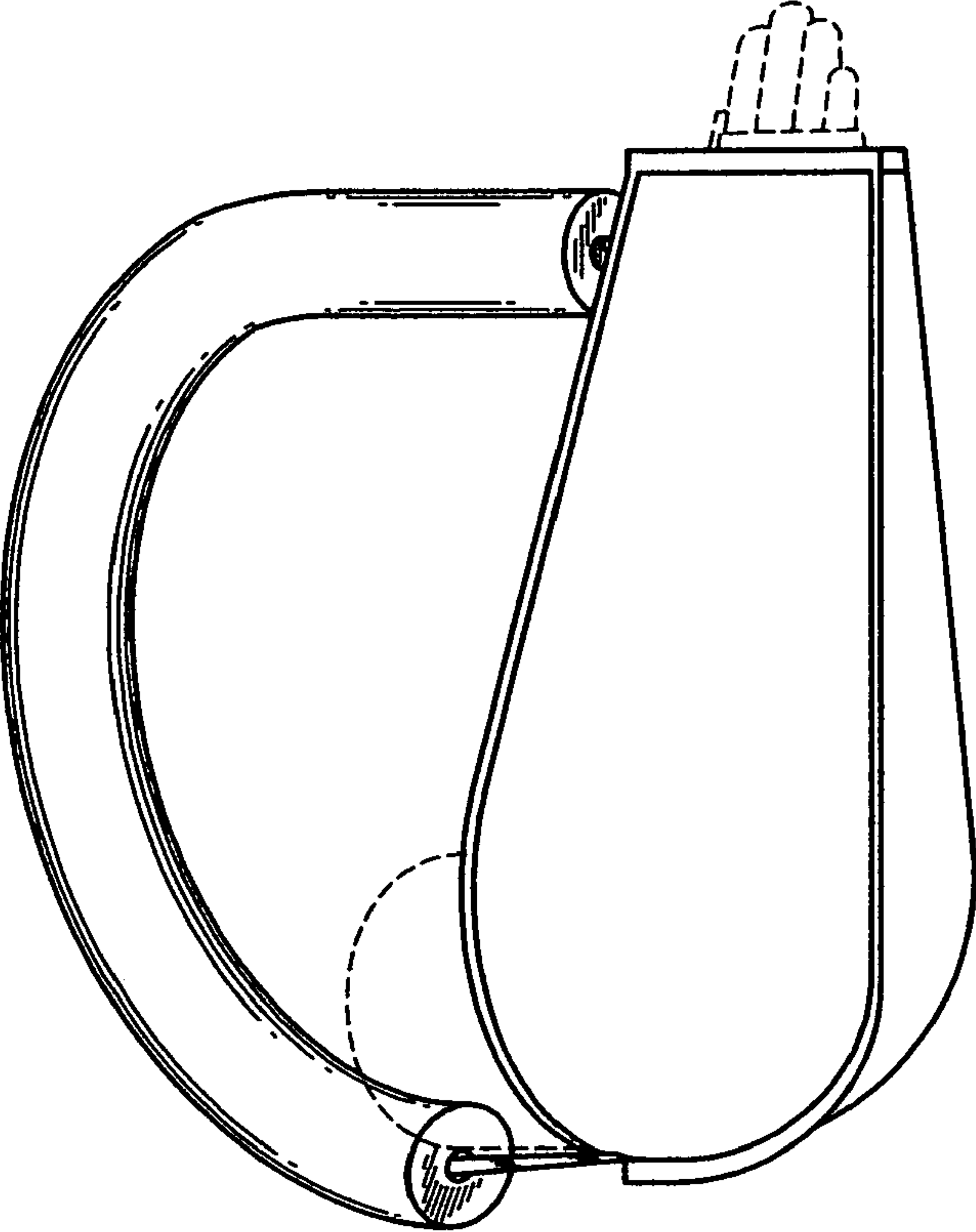


Fig. 6

