



US00D577121S

(12) **United States Design Patent**
Nishida et al.

(10) **Patent No.:** **US D577,121 S**
(45) **Date of Patent:** **** Sep. 16, 2008**

(54) **IMPLANT FOR MEDICAL APPLICATIONS**

(75) Inventors: **Koutaro Nishida**, Kobe (JP); **Setuo Kinoshita**, Kasai (JP)

(73) Assignee: **Kinoshita Giken Corporation**, Kasai-shi (JP)

(**) Term: **14 Years**

(21) Appl. No.: **29/301,294**

(22) Filed: **Feb. 20, 2008**

Related U.S. Application Data

(62) Division of application No. 29/270,716, filed on Dec. 29, 2006, now Pat. No. Des. 566,841.

(30) **Foreign Application Priority Data**

Jul. 3, 2006 (JP) 2006-017456

(51) **LOC (8) Cl.** **24-03**

(52) **U.S. Cl.** **D24/155**

(58) **Field of Classification Search** D24/155,
D24/156; 606/61, 72, 74; 623/17.16, 17.17,
623/11.1; D8/387; 433/173; D21/712
See application file for complete search history.

(56) **References Cited**

U.S. PATENT DOCUMENTS

- D225,970 S * 1/1973 O'Donnel D8/387
- D263,878 S * 4/1982 Edwardson D24/156
- D317,200 S * 5/1991 Jorneus D24/156
- D319,500 S * 8/1991 Soderberg D24/156
- 5,364,400 A * 11/1994 Rego et al. 606/72
- D371,178 S * 6/1996 Pearson D21/712
- D374,080 S * 9/1996 Broberg D24/156
- D414,556 S * 9/1999 Broberg et al. D24/156
- D455,212 S * 4/2002 Albrektsson et al. D24/155

- D469,535 S * 1/2003 Lidskog et al. D24/156
- D483,822 S * 12/2003 Pelfrey D21/712
- D496,260 S * 9/2004 Echazabal D8/387
- D507,650 S * 7/2005 Teich D24/156

* cited by examiner

Primary Examiner—Charles A Rademaker

(74) *Attorney, Agent, or Firm*—Alleman Hall McCoy Russell & Tuttle LLP

(57) **CLAIM**

The ornamental design for an implant for medical applications, as shown and described.

DESCRIPTION

FIG. 1 is a left side elevation of an implant for medical applications showing our new design;

FIG. 2 is a right side elevation thereof;

FIG. 3 is a top plan view thereof;

FIG. 4 is a bottom plan view thereof;

FIG. 5 is a rear elevation thereof;

FIG. 6 is a front elevation thereof;

FIG. 7 is a front perspective view thereof;

FIG. 8 is a bottom perspective view thereof;

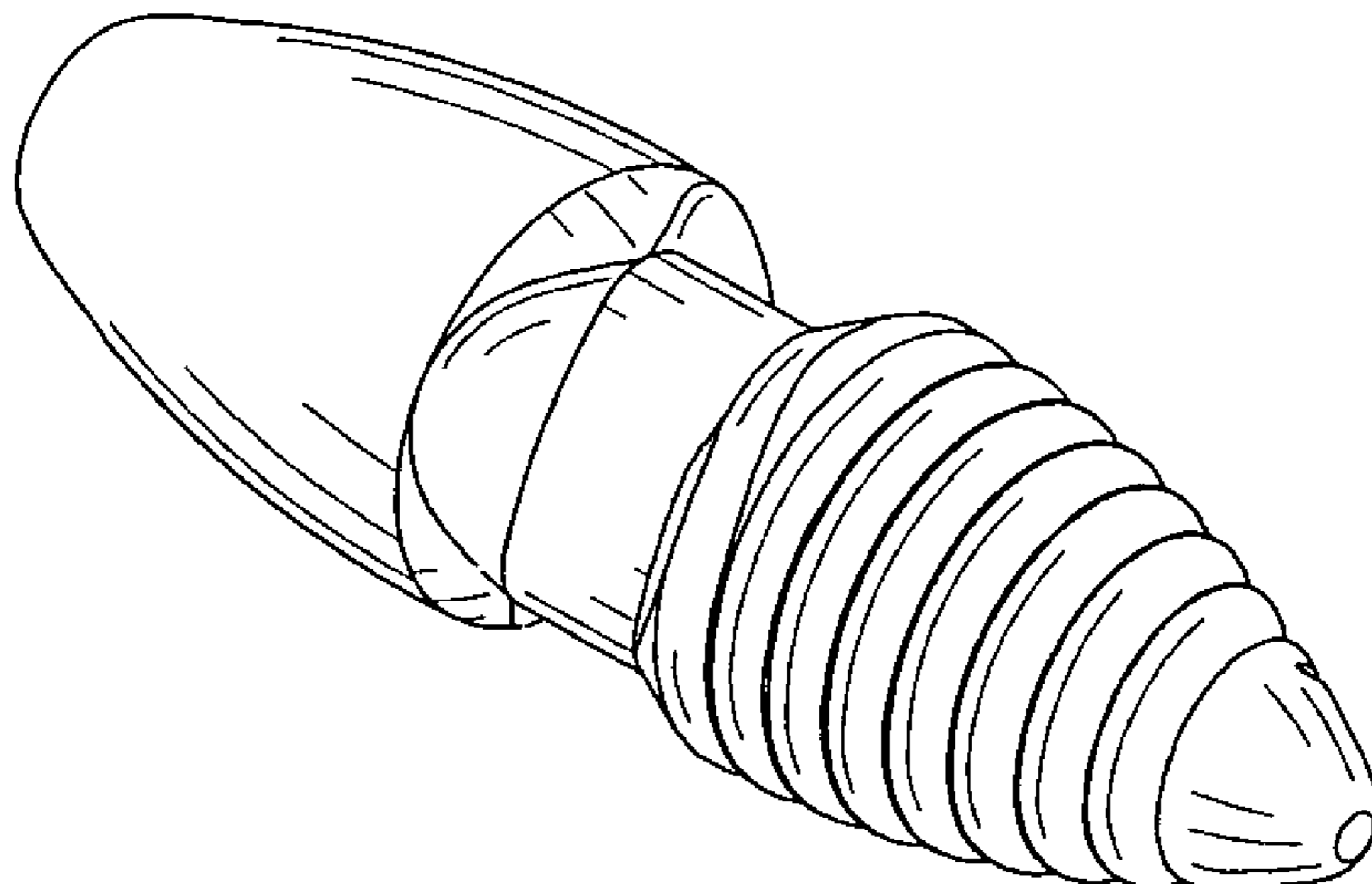
FIG. 9 is a cross-sectional view thereof taken along line 9—9 in FIG. 1;

FIG. 10 is a cross-sectional view thereof taken along line 10—10 in FIG. 5; and,

FIG. 11 is a cross-sectional view taken along line 11—11 in FIG. 10 shown in fragment and on an enlarged scale.

The broken lines in FIG. 11 are used to suggest that portions of the design are broken away for ease of illustration.

1 Claim, 3 Drawing Sheets



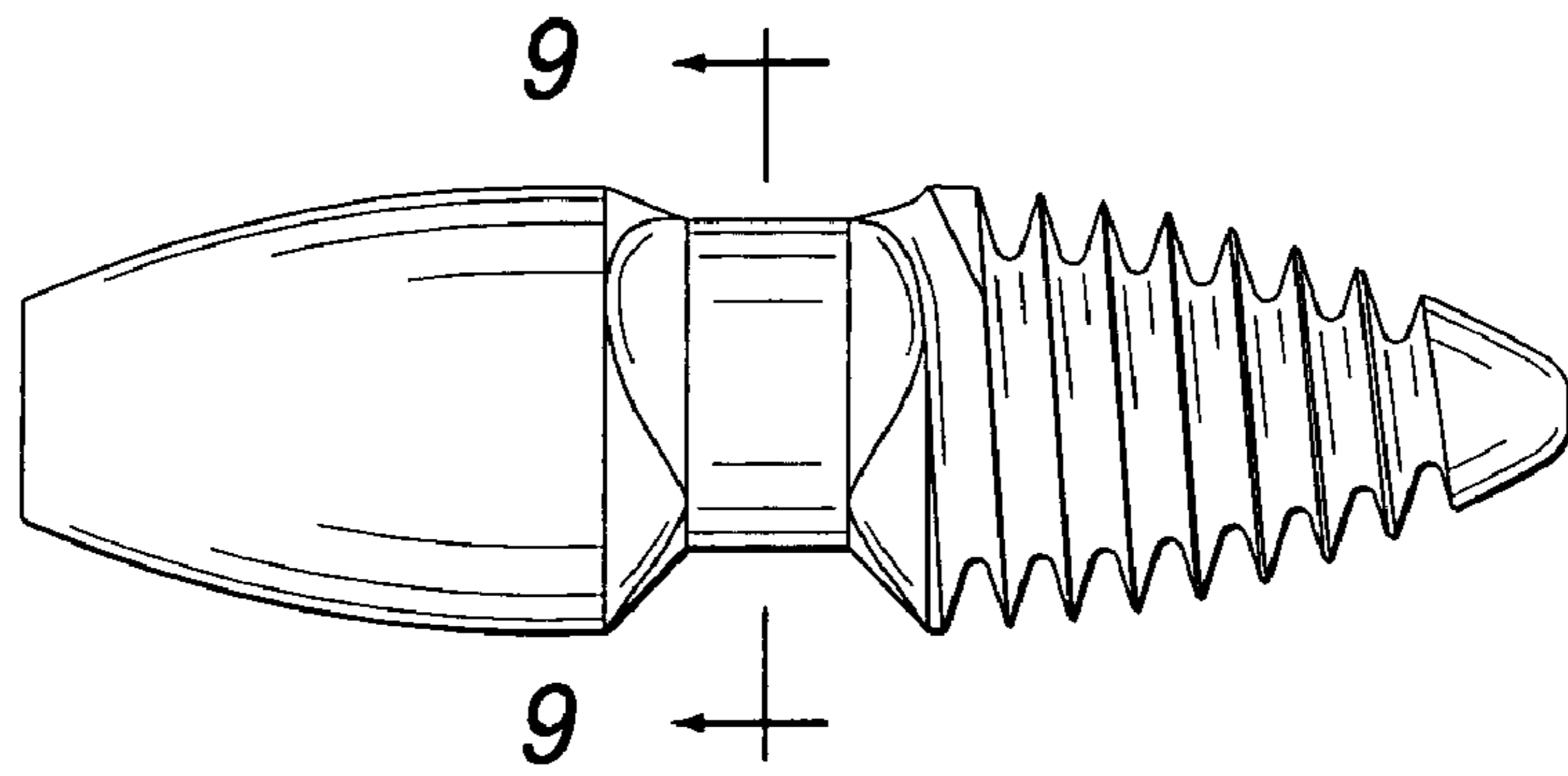


FIG. 1

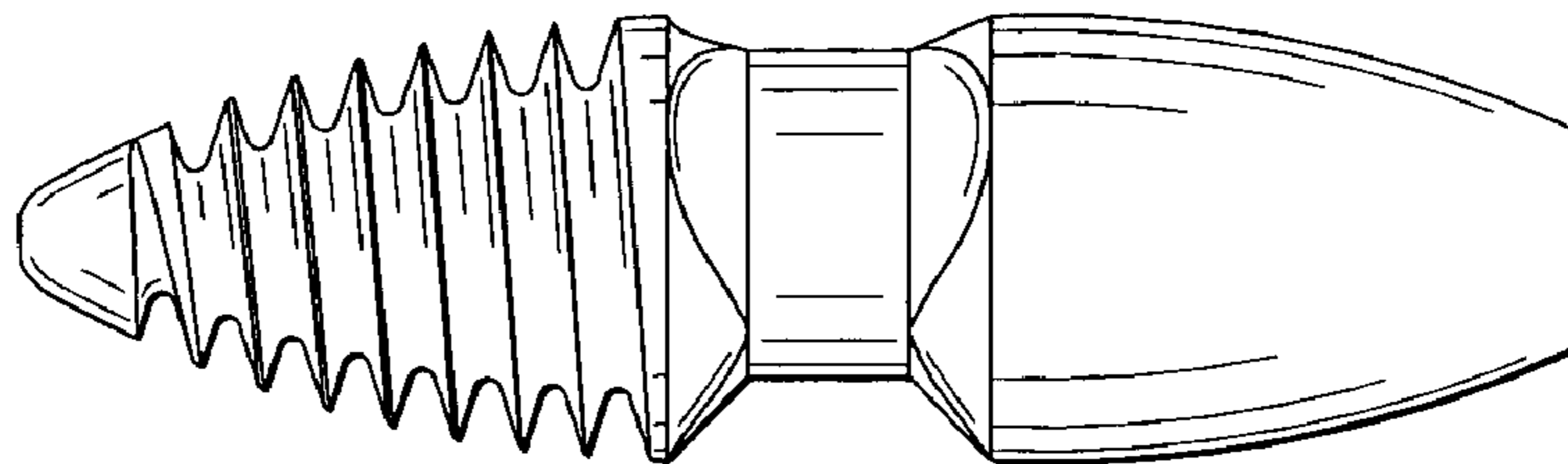


FIG. 2

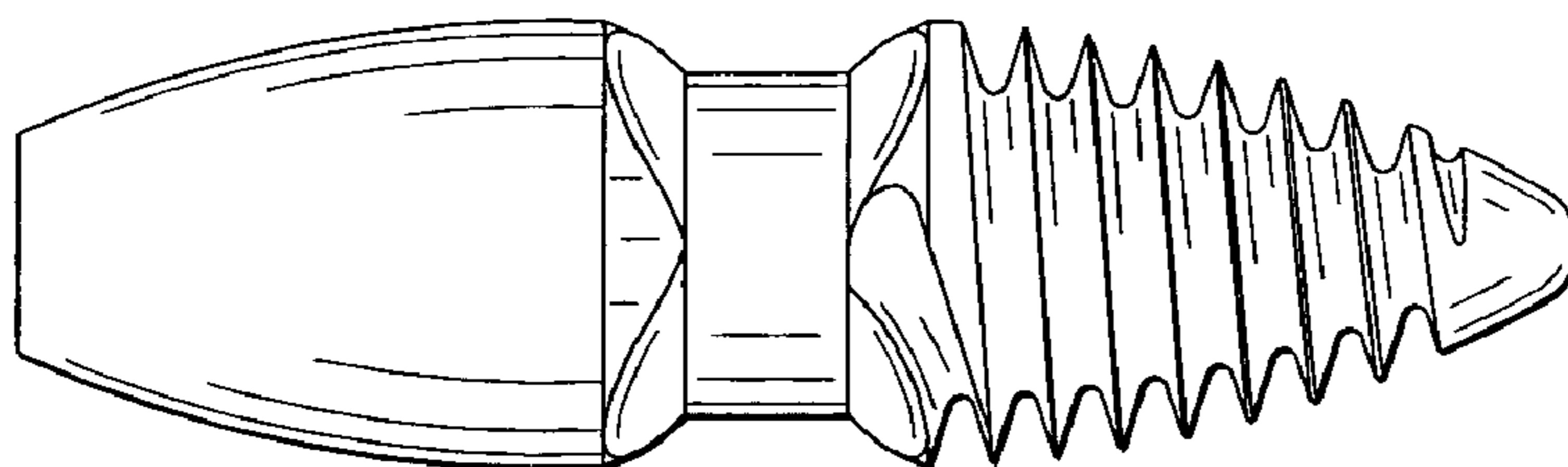


FIG. 3

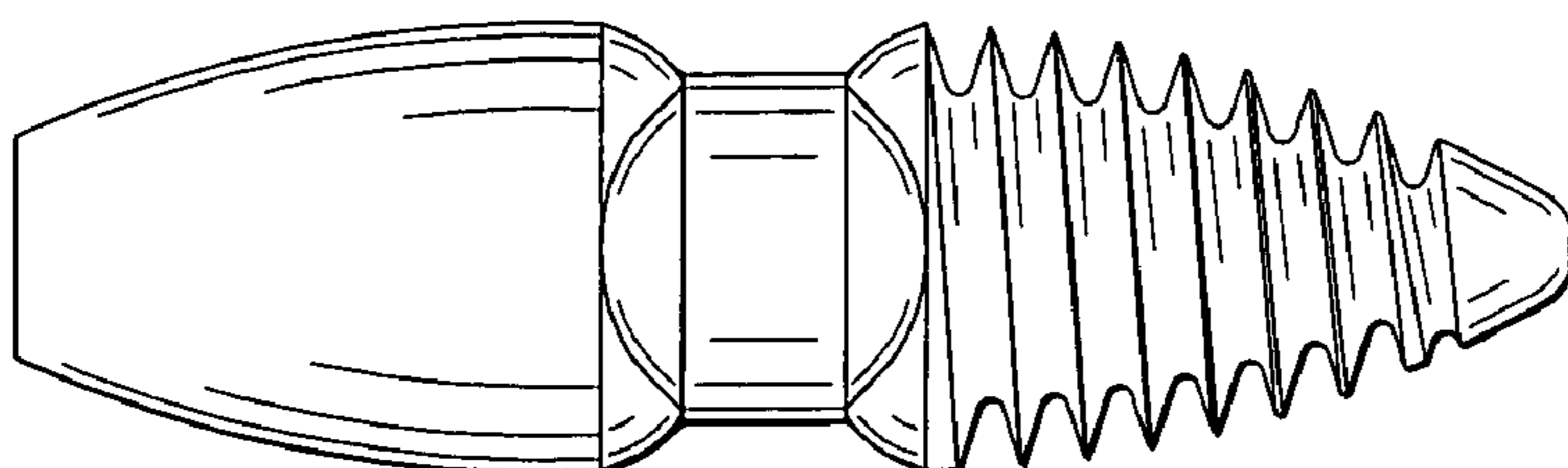


FIG. 4

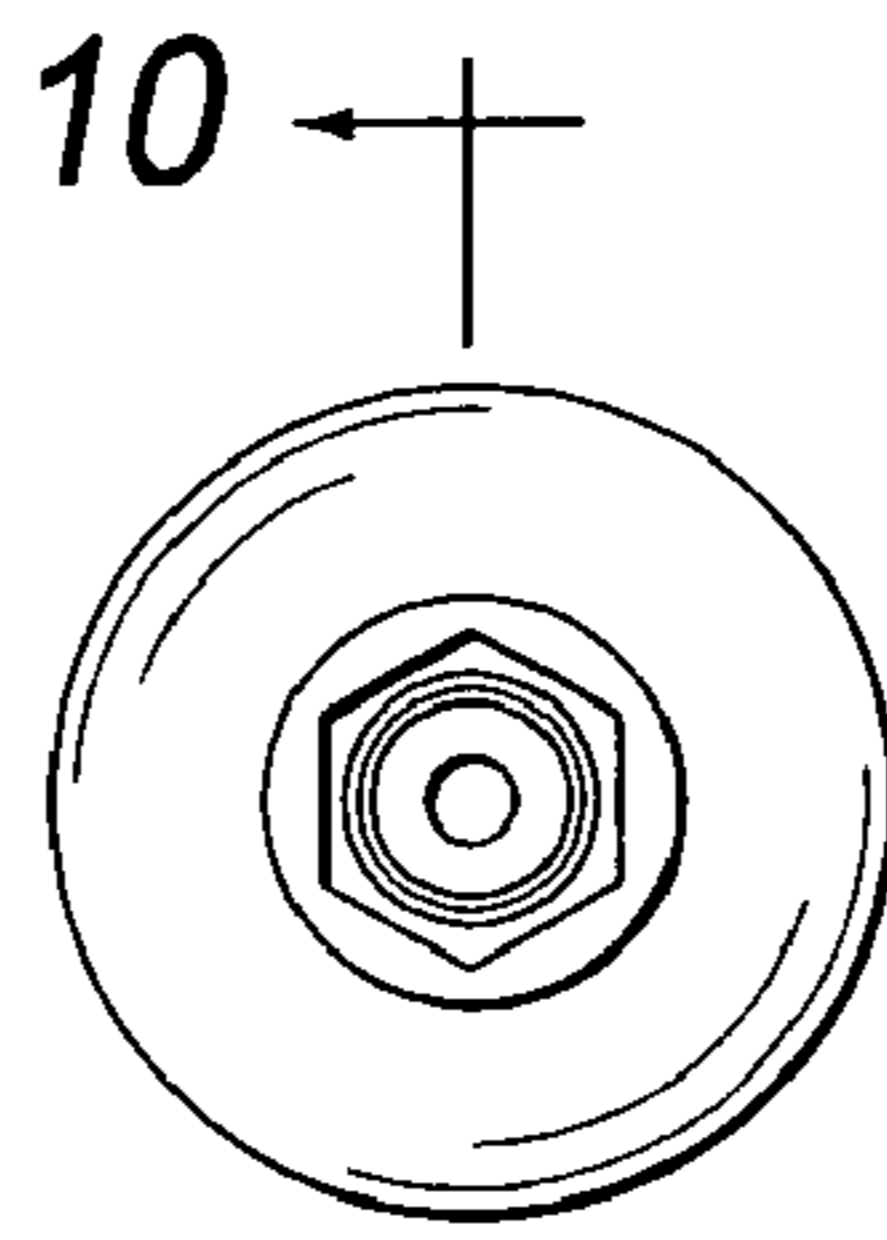


FIG. 5

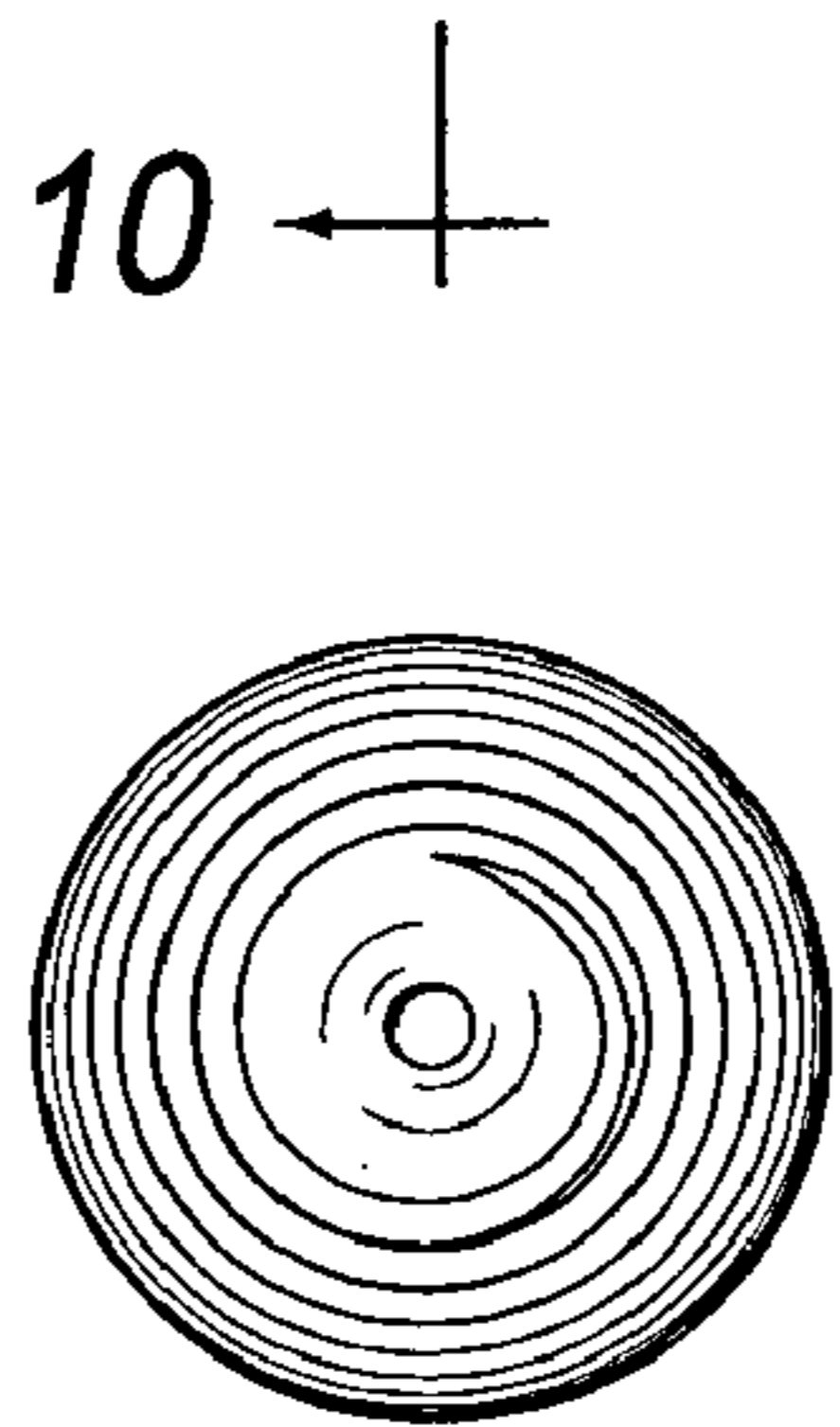


FIG. 6

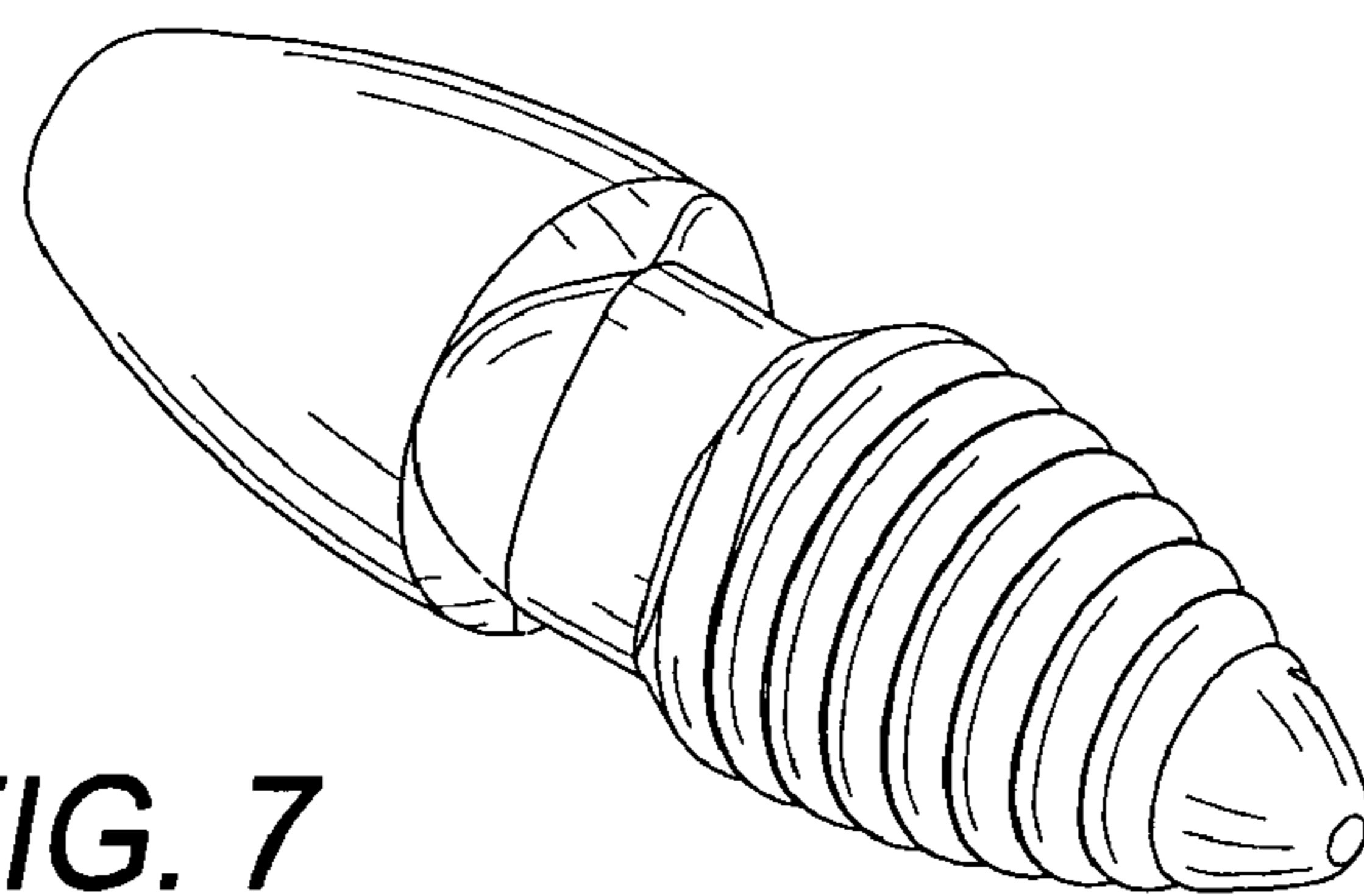


FIG. 7

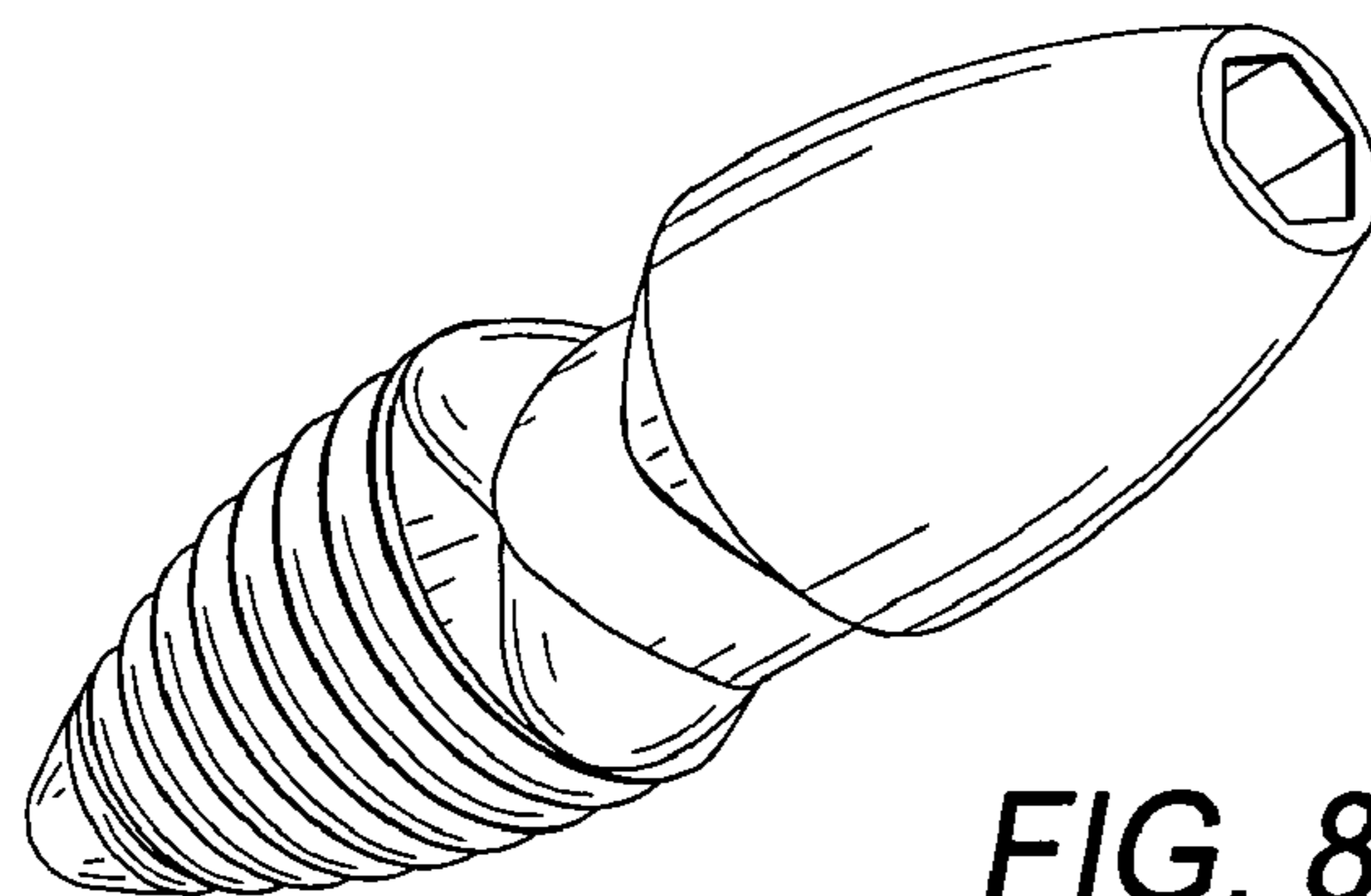


FIG. 8

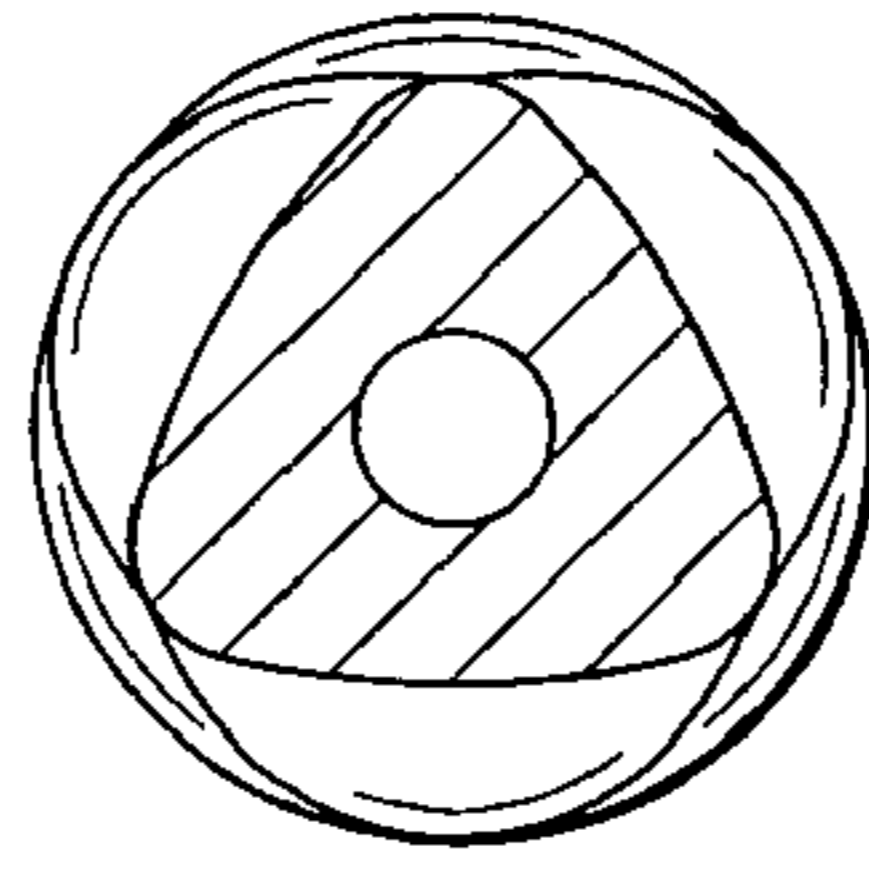


FIG. 9

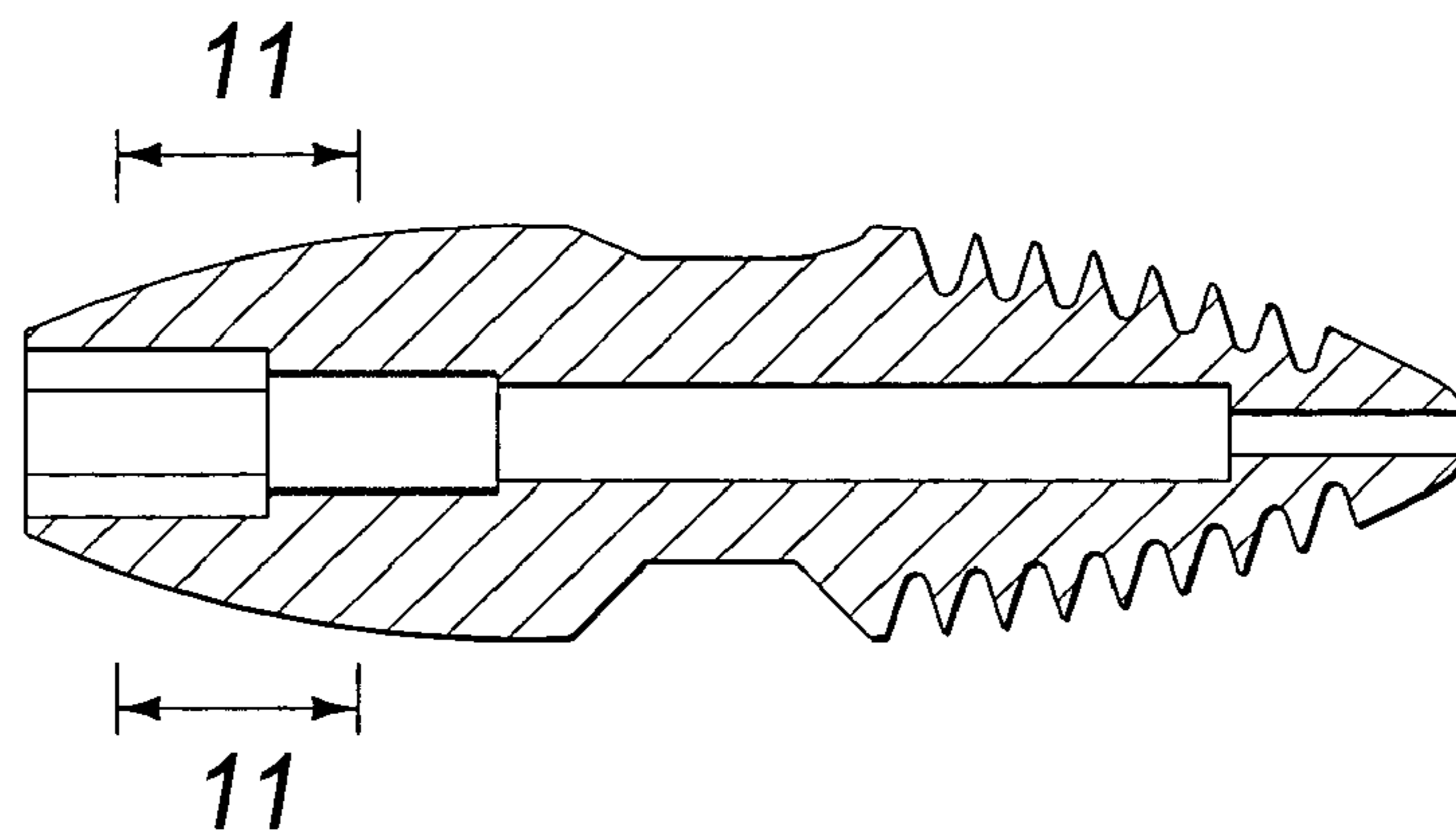
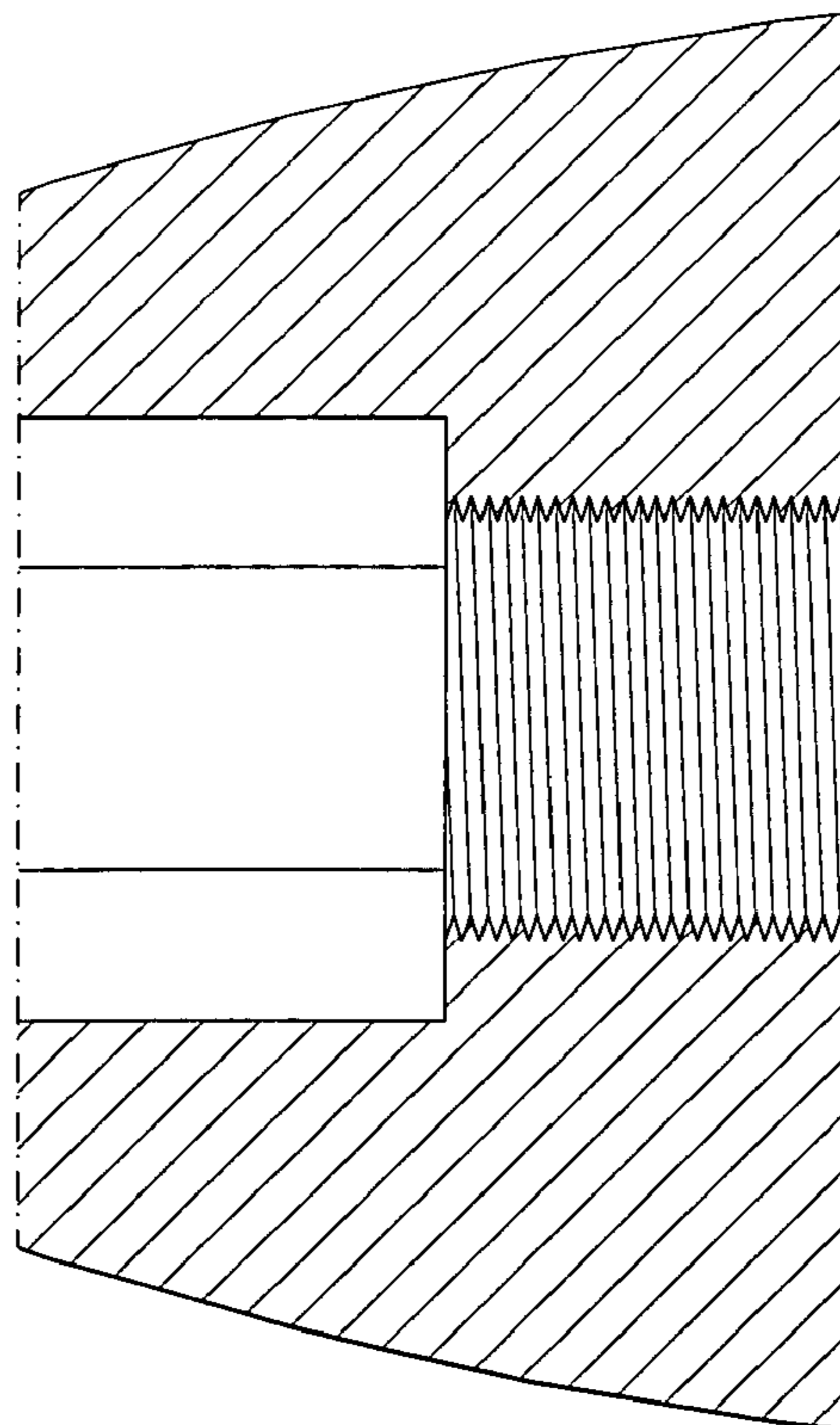


FIG. 10

FIG. 11



UNITED STATES PATENT AND TRADEMARK OFFICE
CERTIFICATE OF CORRECTION

PATENT NO. : Des. 577,121 S
APPLICATION NO. : 29/301294
DATED : September 16, 2008
INVENTOR(S) : Koutaro Nishida and Setuo Kinoshita

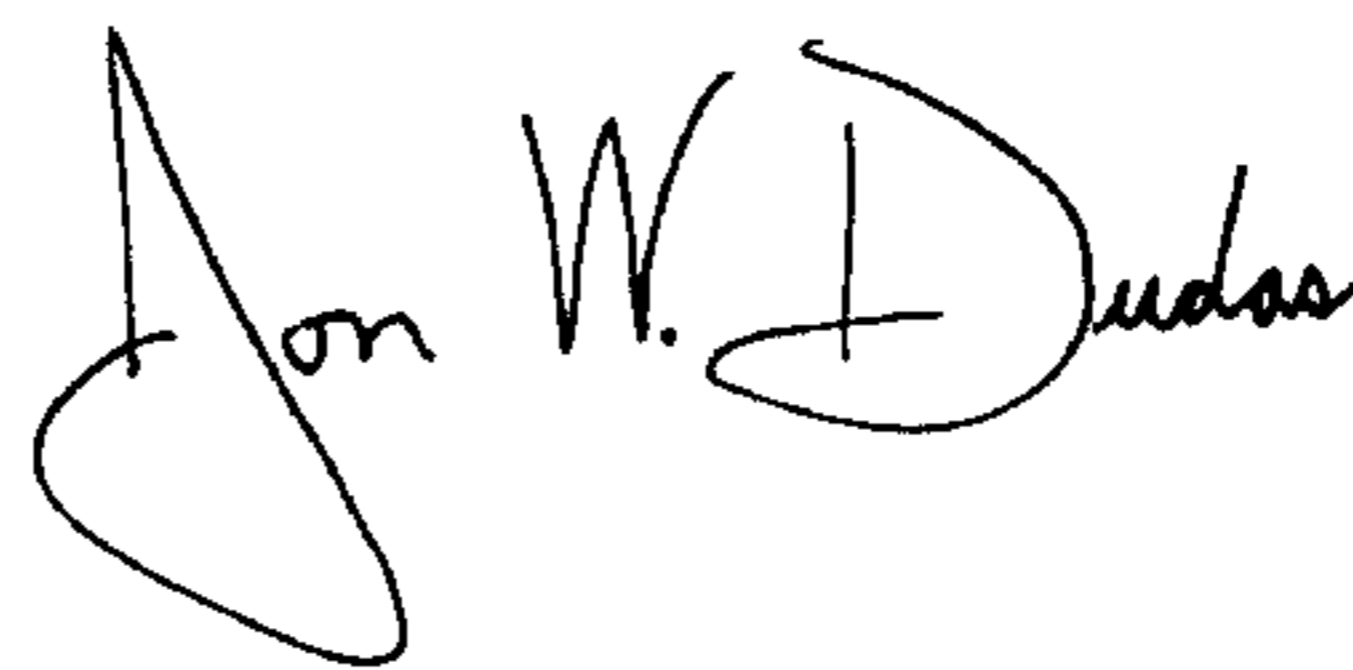
Page 1 of 1

It is certified that error appears in the above-identified patent and that said Letters Patent is hereby corrected as shown below:

On Title page, in "Description" section, the description of Figure 8 should read --FIG. 8 is a bottom perspective view thereof;--.

Signed and Sealed this

Fourth Day of November, 2008

A handwritten signature in black ink that reads "Jon W. Dudas". The signature is written in a cursive, slightly stylized font.

JON W. DUDAS
Director of the United States Patent and Trademark Office

UNITED STATES PATENT AND TRADEMARK OFFICE
CERTIFICATE OF CORRECTION

PATENT NO. : Des. 577,121 S
APPLICATION NO. : 29/301294
DATED : September 16, 2008
INVENTOR(S) : Koutaro Nishida and Setuo Kinoshita

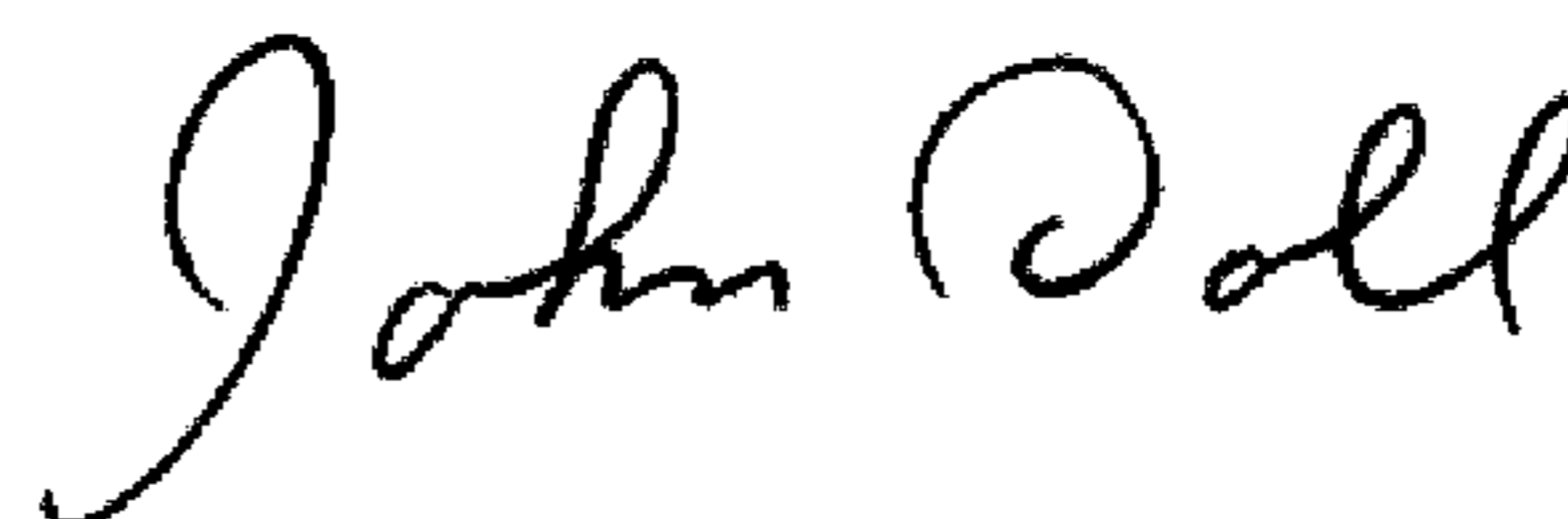
Page 1 of 1

It is certified that error appears in the above-identified patent and that said Letters Patent is hereby corrected as shown below:

On the Title page, in Item (73) entitled "Assignee", after "Kinoshita Giken Corporation" add --Koutaro Nishida--.

Signed and Sealed this

Seventeenth Day of February, 2009



JOHN DOLL
Acting Director of the United States Patent and Trademark Office