



US00D577118S

(12) **United States Design Patent**
Yodfat et al.

(10) **Patent No.:** **US D577,118 S**
(45) **Date of Patent:** **** Sep. 16, 2008**

(54) **CRADLE FOR DRUG INFUSION PUMP**

(75) Inventors: **Ofer Yodfat**, Maccabim-Reut (IL);
Avraham Neta, Misgav (IL); **Elisha Amir**, Livnim (IL)

(73) Assignee: **Medingo, Ltd.**, Yoqneam Illit (IL)

(**) Term: **14 Years**

(21) Appl. No.: **29/285,863**

(22) Filed: **Apr. 13, 2007**

(51) **LOC (8) Cl.** **24-02**

(52) **U.S. Cl.** **D24/111**

(58) **Field of Classification Search** D24/108,
D24/111, 169, 186; 604/155, 154, 891.1;
128/DIG. 1, DIG. 2; 417/477.2
See application file for complete search history.

(56) **References Cited**

U.S. PATENT DOCUMENTS

5,871,465	A *	2/1999	Vasko	604/65
D438,971	S *	3/2001	Meyer et al.	D24/169
D446,854	S *	8/2001	Cheney et al.	D24/111
D452,564	S *	12/2001	Micinski et al.	D24/169
D460,557	S *	7/2002	Steinberg et al.	D24/169
D460,823	S *	7/2002	Steinberg et al.	D24/169
D462,771	S *	9/2002	Weber	D24/169
D522,656	S *	6/2006	Orr et al.	D24/169

D549,343	S *	8/2007	Schlagheck et al.	D24/169
D554,759	S *	11/2007	Barker	D24/186
D564,087	S *	3/2008	Yodfat et al.	D24/108
2004/0069793	A1 *	4/2004	Brown et al.	221/30

* cited by examiner

Primary Examiner—Ian Simmons

Assistant Examiner—Carissa C Fitts

(74) *Attorney, Agent, or Firm*—Mintz, Levin, Cohn, Ferris,
Glovsky and Popeo, P.C.

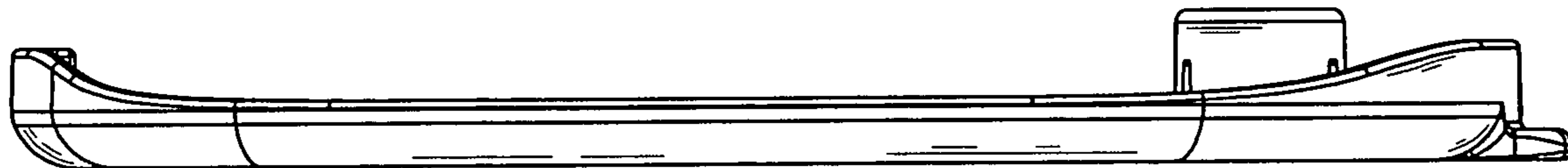
(57) **CLAIM**

The ornamental design for a cradle for drug infusion pump, as shown and described.

DESCRIPTION

FIG. 1 is a right side view of a cradle for drug infusion pump;
FIG. 2 is a left side view of a cradle for drug infusion pump;
FIG. 3 is a front side view of a cradle for drug infusion pump;
FIG. 4 is a rear view of a cradle for drug infusion pump;
FIG. 5 is a top view of a cradle for drug infusion pump;
FIG. 6 is a bottom view of a cradle for drug infusion pump;
and,
FIG. 7 is a first isometric view of a cradle for drug infusion pump.

1 Claim, 5 Drawing Sheets



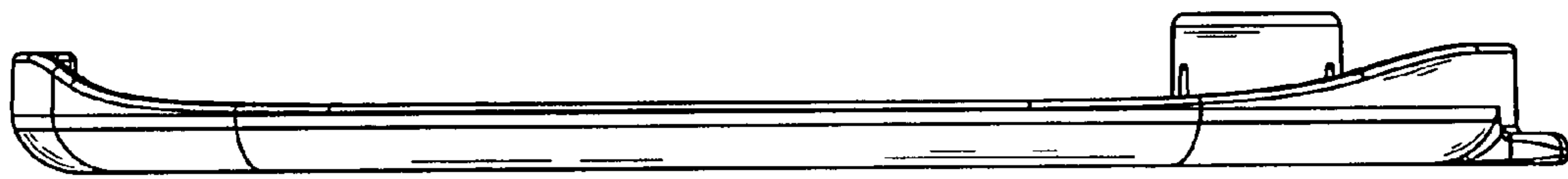


FIG. 1

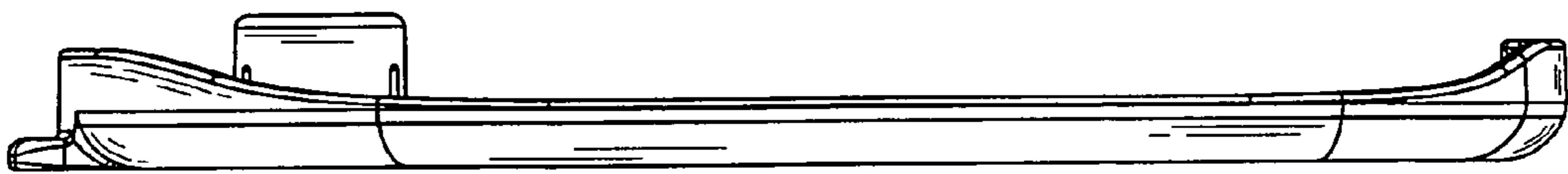


FIG. 2

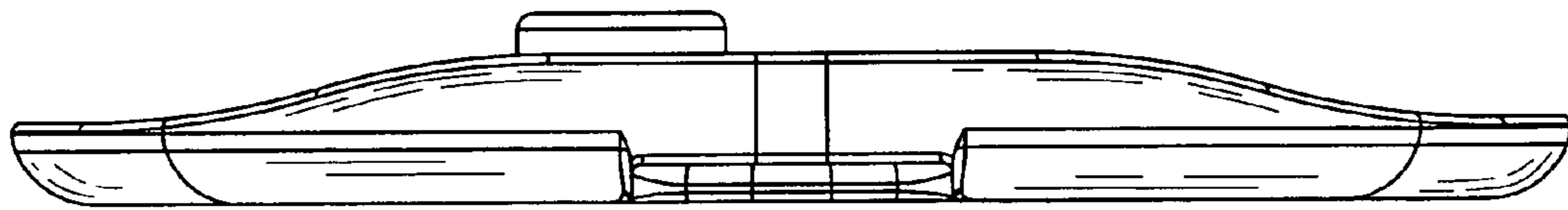


FIG. 3

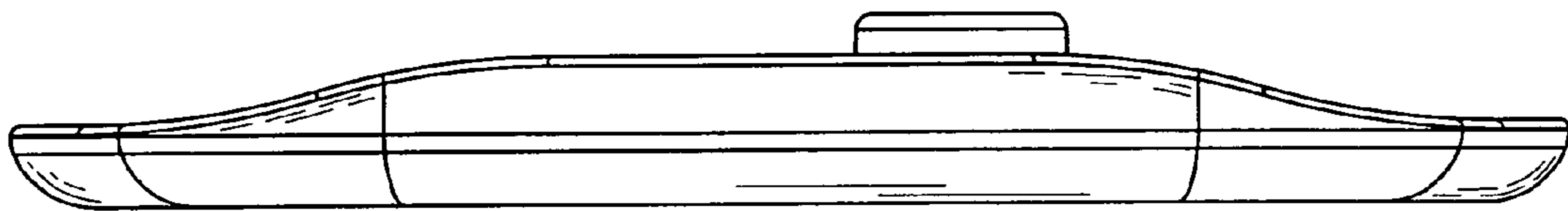


FIG. 4

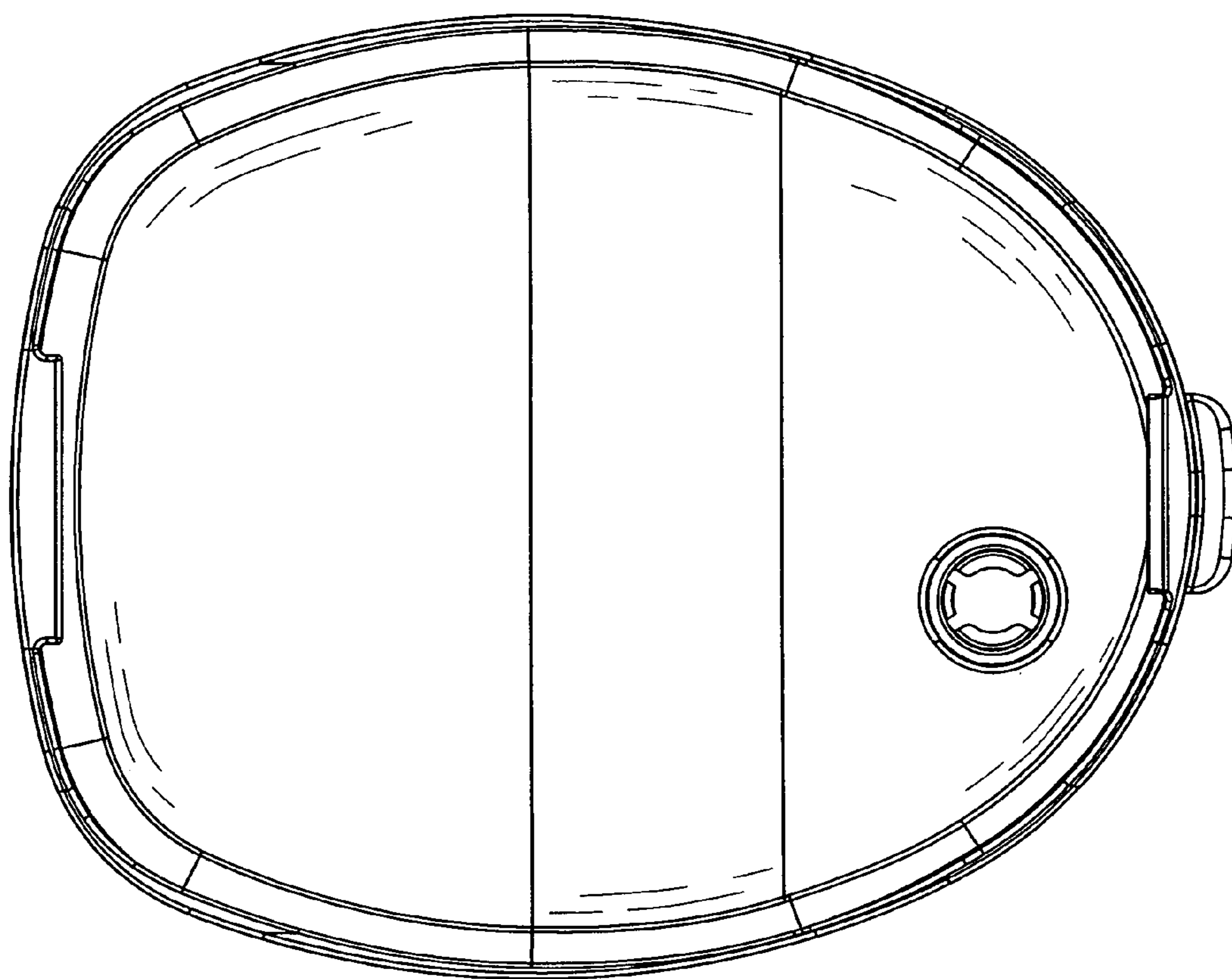


FIG. 5

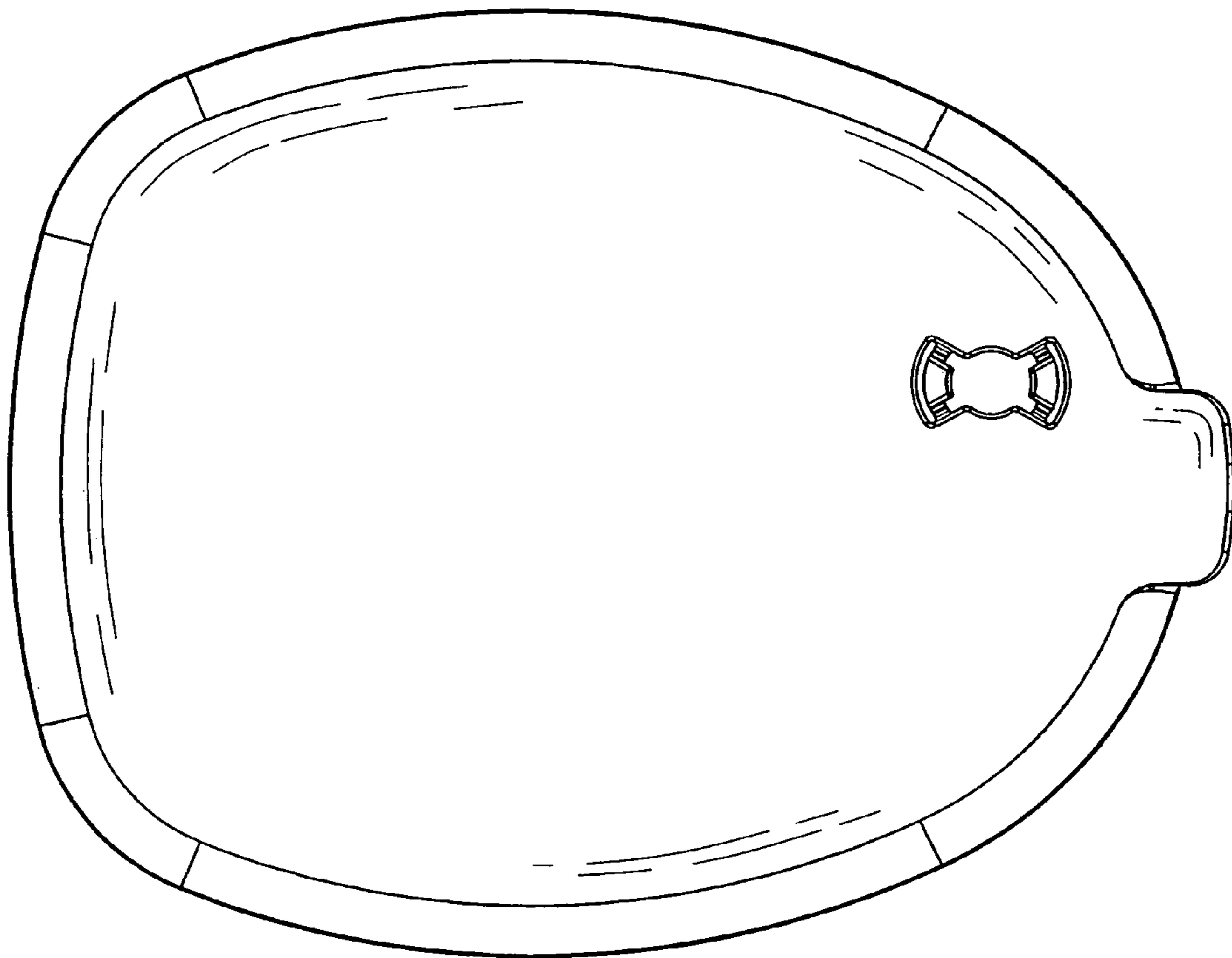


FIG. 6

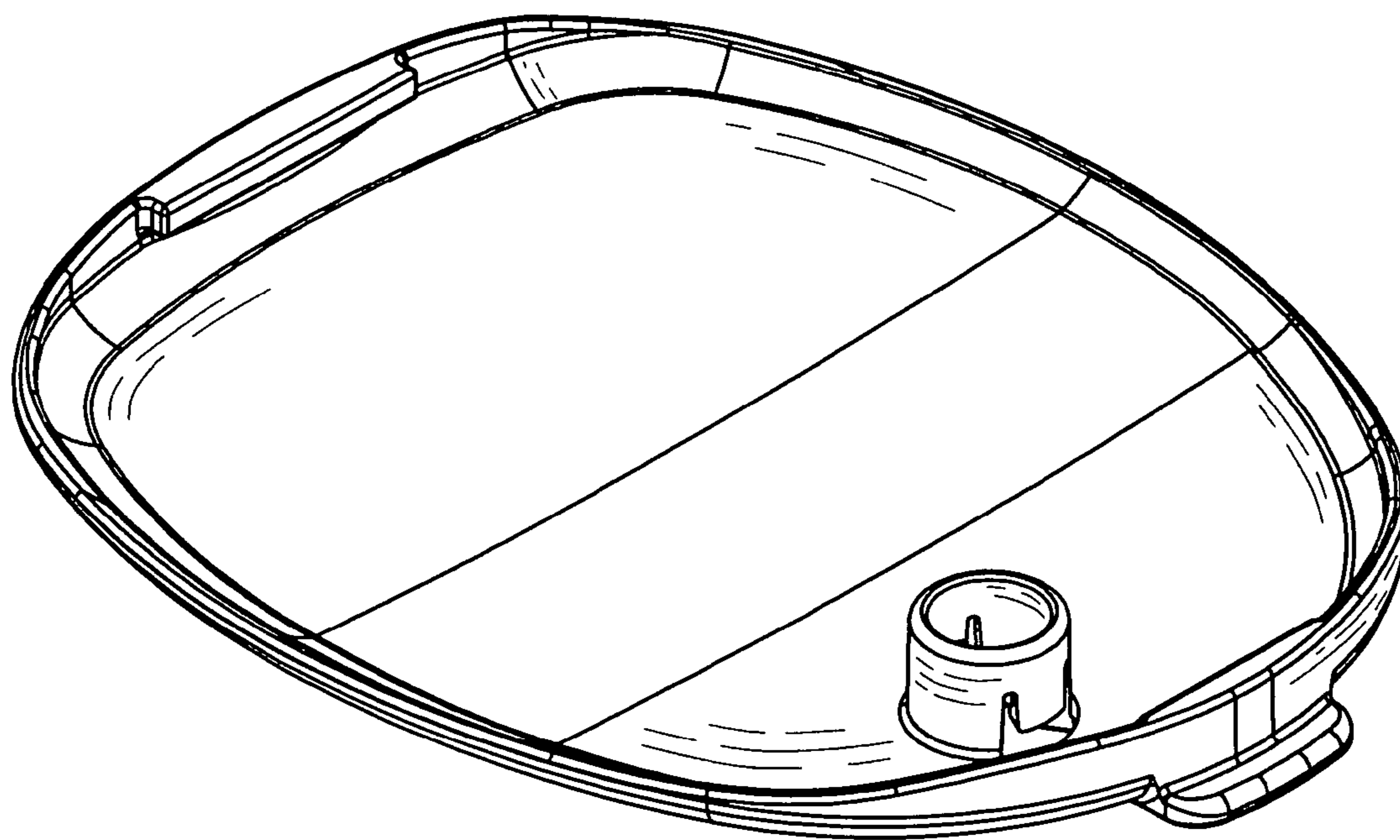


FIG. 7