



US00D577117S

(12) **United States Design Patent**
Biener et al.

(10) **Patent No.:** **US D577,117 S**
(45) **Date of Patent:** **** Sep. 16, 2008**

(54) **CONNECTOR TUBE**

(75) Inventors: **Achim Biener**, Aufkirchen (DE); **Bernd Christoph Lang**, Grafelfing (DE)

(73) Assignee: **MAP Medizin-Technologie GmbH**, Martinsried (DE)

(**) Term: **14 Years**

(21) Appl. No.: **29/268,229**

(22) Filed: **Nov. 2, 2006**

Related U.S. Application Data

(63) Continuation of application No. 29/224,841, filed on Mar. 9, 2005, now Pat. No. Des. 536,091.

(30) **Foreign Application Priority Data**

Oct. 1, 2004 (EP) 000233218

(51) **LOC (8) Cl.** **29-02**

(52) **U.S. Cl.** **D24/110.1; D24/110.5; D24/129**

(58) **Field of Classification Search** D24/110, D24/110.1, 110.4, 110.5, 129, 164; 128/207.11, 128/207.12, 207.13, 207.17, 205.25, 206.21, 128/206.26, 206.27

See application file for complete search history.

(56) **References Cited**

U.S. PATENT DOCUMENTS

D322,318 S 12/1991 Sullivan
D402,755 S 12/1998 Kwok
6,044,844 A 4/2000 Kwok et al.
D428,987 S 8/2000 Kwok
D439,326 S 3/2001 Hecker et al.
D443,355 S 6/2001 Gunaratnam et al.
D458,365 S 6/2002 Kopacko et al.
D468,823 S 1/2003 Smart
6,532,961 B1 3/2003 Kwok

6,561,190 B1 5/2003 Kwok
6,581,602 B2 6/2003 Kwok et al.
D484,237 S 12/2003 Lang et al.
6,679,261 B2 1/2004 Lithgow et al.
D502,260 S 2/2005 Lang et al.
D515,698 S 2/2006 Lang et al.
7,000,614 B2 2/2006 Lang et al.
D519,207 S 4/2006 Raje et al.
D536,091 S 1/2007 Biener et al.
2003/0062048 A1 4/2003 Gradon et al.
2003/0075180 A1 4/2003 Raje et al.
2003/0089373 A1 5/2003 Gradon et al.
2003/0221691 A1 12/2003 Biener et al.
2004/0045550 A1 3/2004 Lang et al.
2004/0112387 A1 6/2004 Lang et al.
2005/0011521 A1 1/2005 Sprinkle et al.

FOREIGN PATENT DOCUMENTS

WO WO 99/58181 11/1999
WO WO 01/97892 12/2001

Primary Examiner—Ian Simmons

Assistant Examiner—Christopher Lee

(74) *Attorney, Agent, or Firm*—Nixon & Vanderhye P.C.

(57) **CLAIM**

The ornamental design for a connector tube, as shown.

DESCRIPTION

FIG. 1 is a perspective view of a connector tube according to our design;

FIG. 2 is a reverse perspective view thereof;

FIG. 3 is a front view thereof;

FIG. 4 is a rear view thereof;

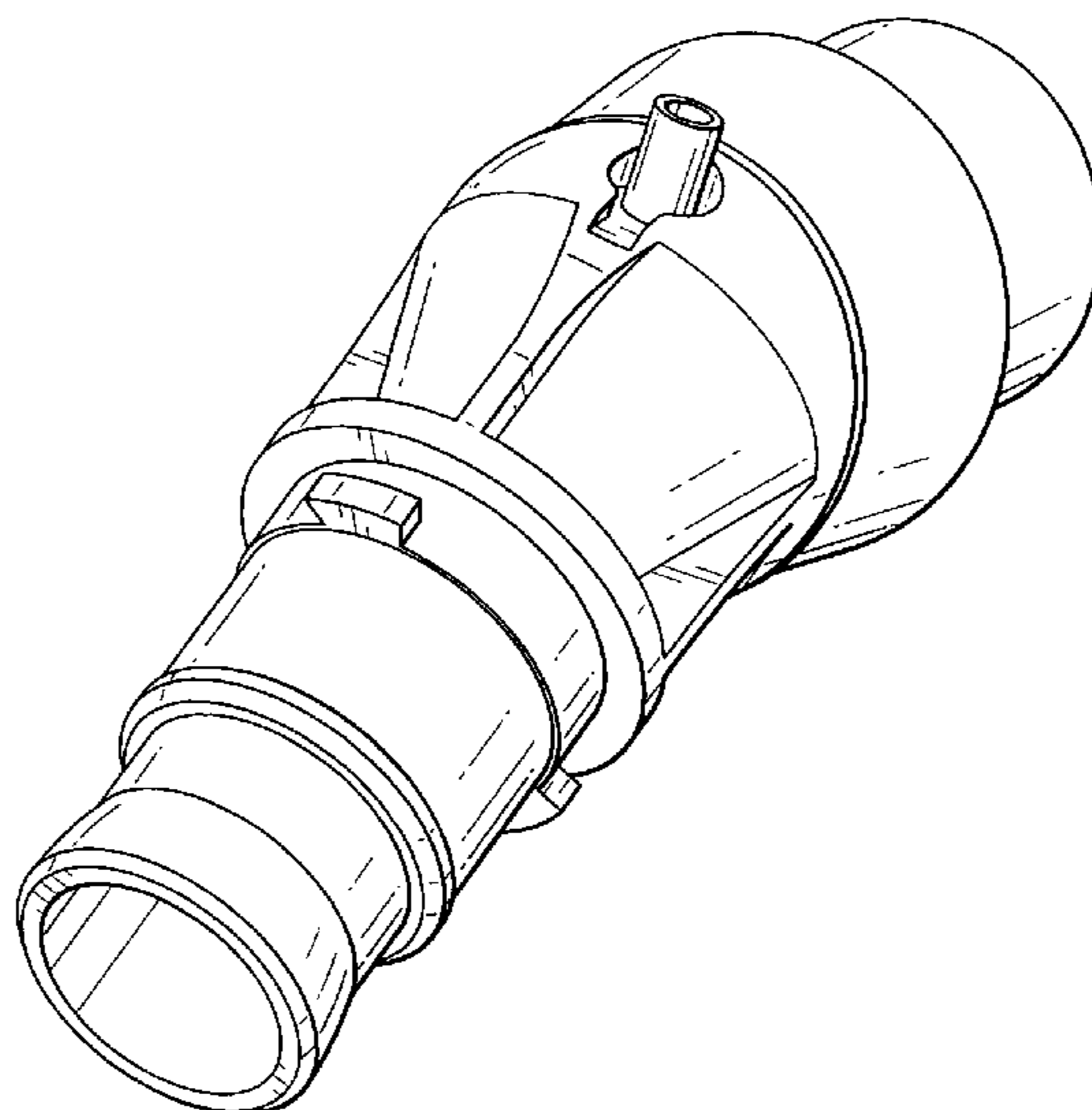
FIG. 5 is a left side view thereof;

FIG. 6 is a right side view thereof;

FIG. 7 is a top view thereof; and,

FIG. 8 is a bottom view thereof.

1 Claim, 7 Drawing Sheets



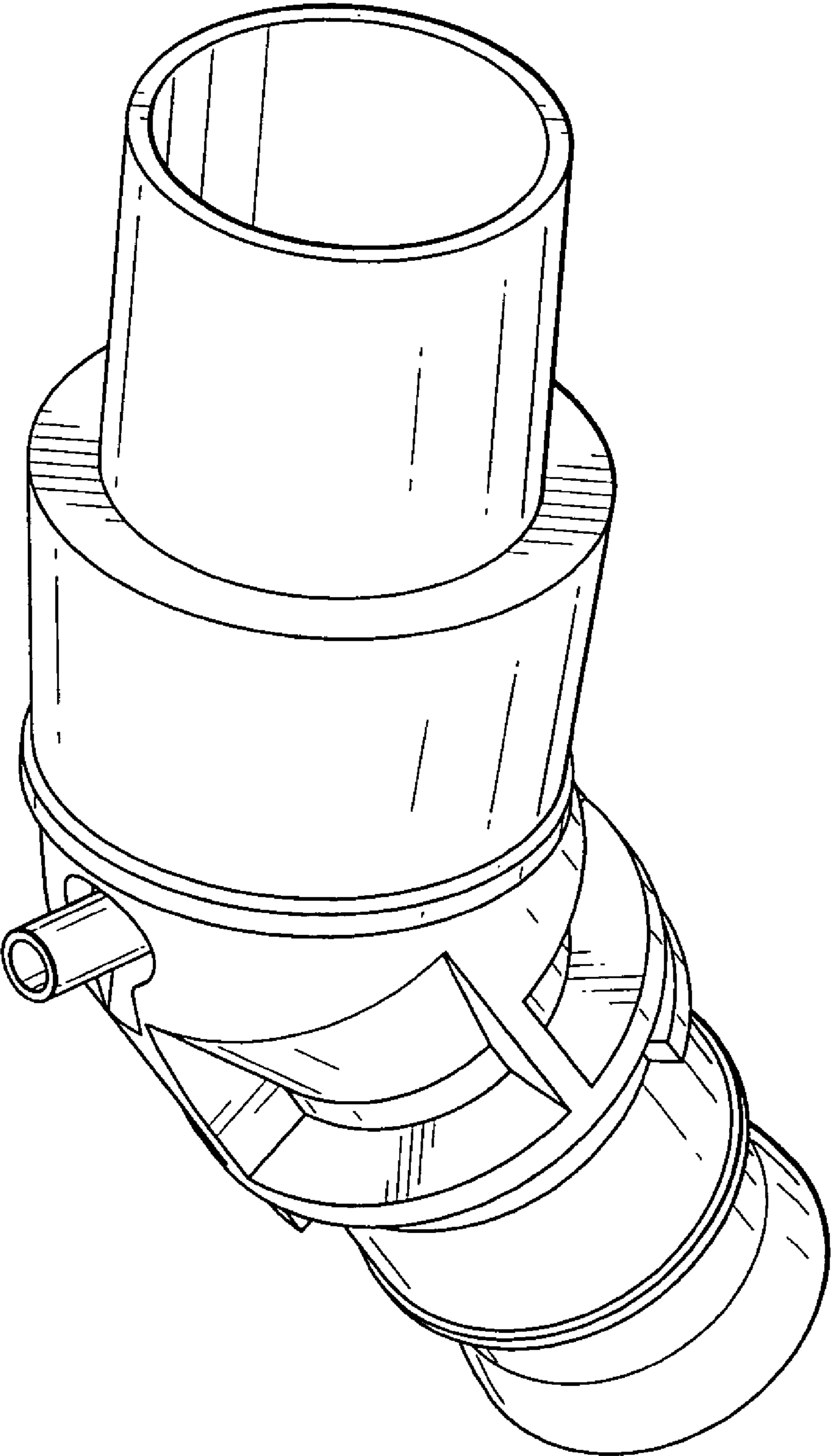


Fig. 1

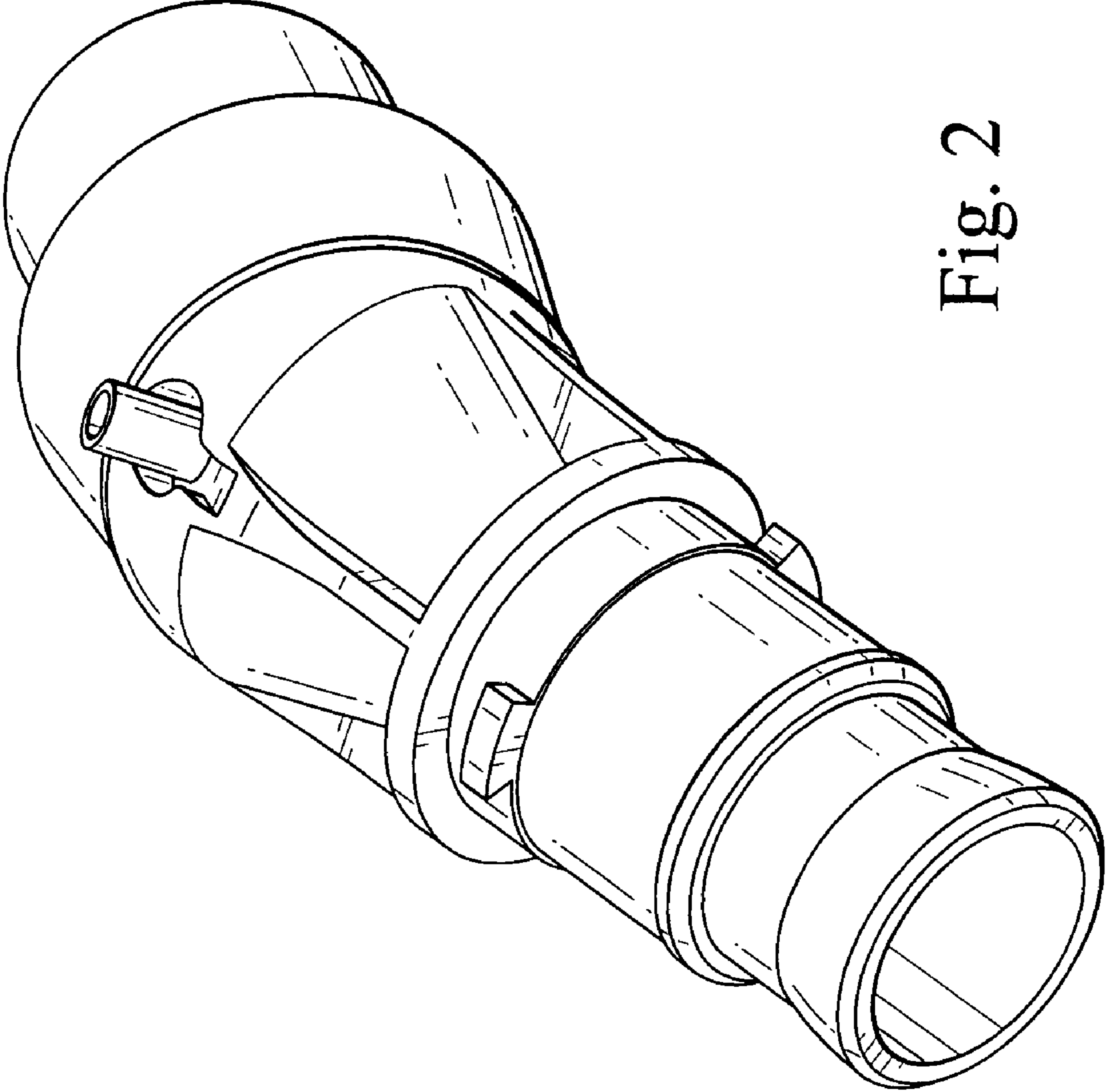


Fig. 2

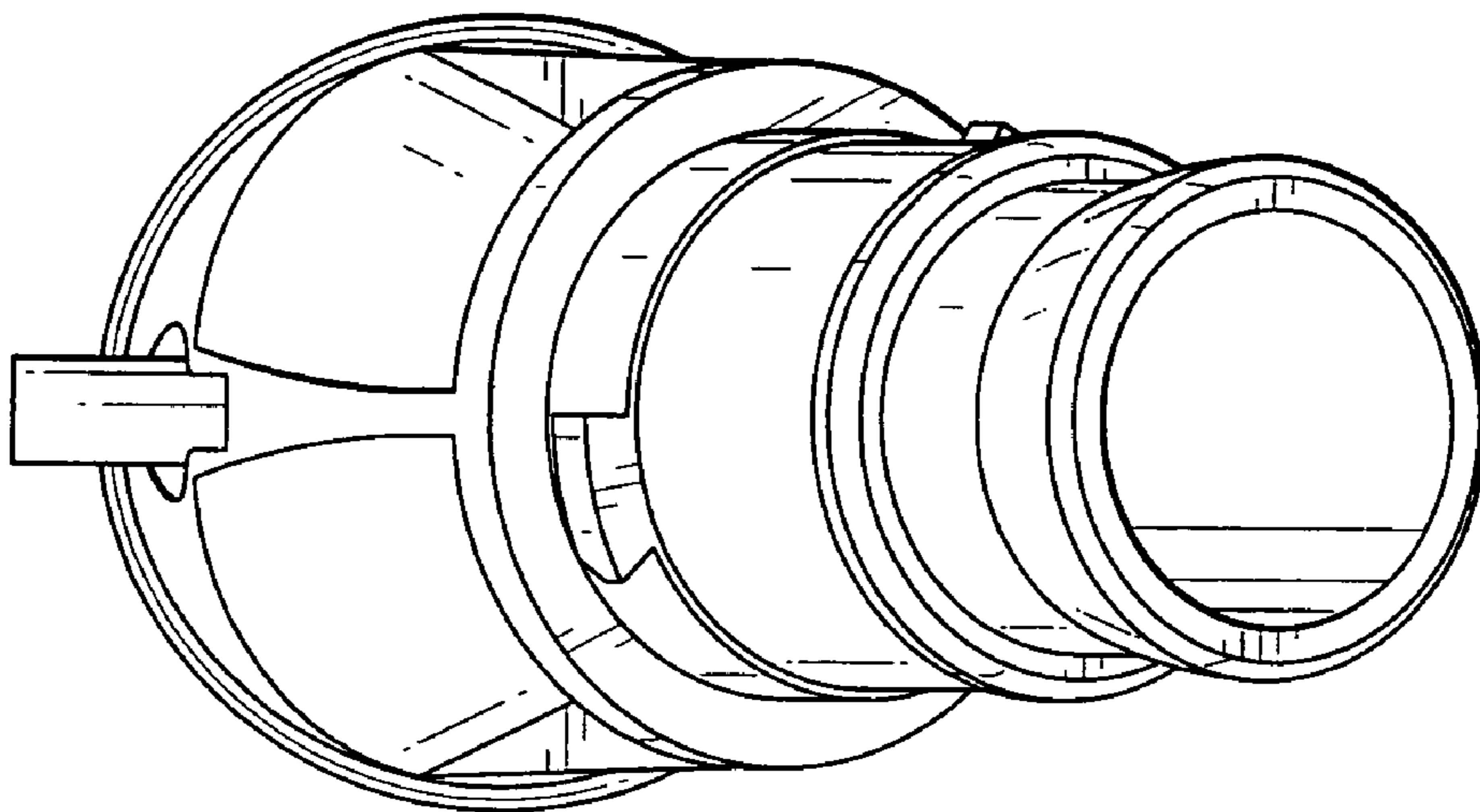


Fig. 4

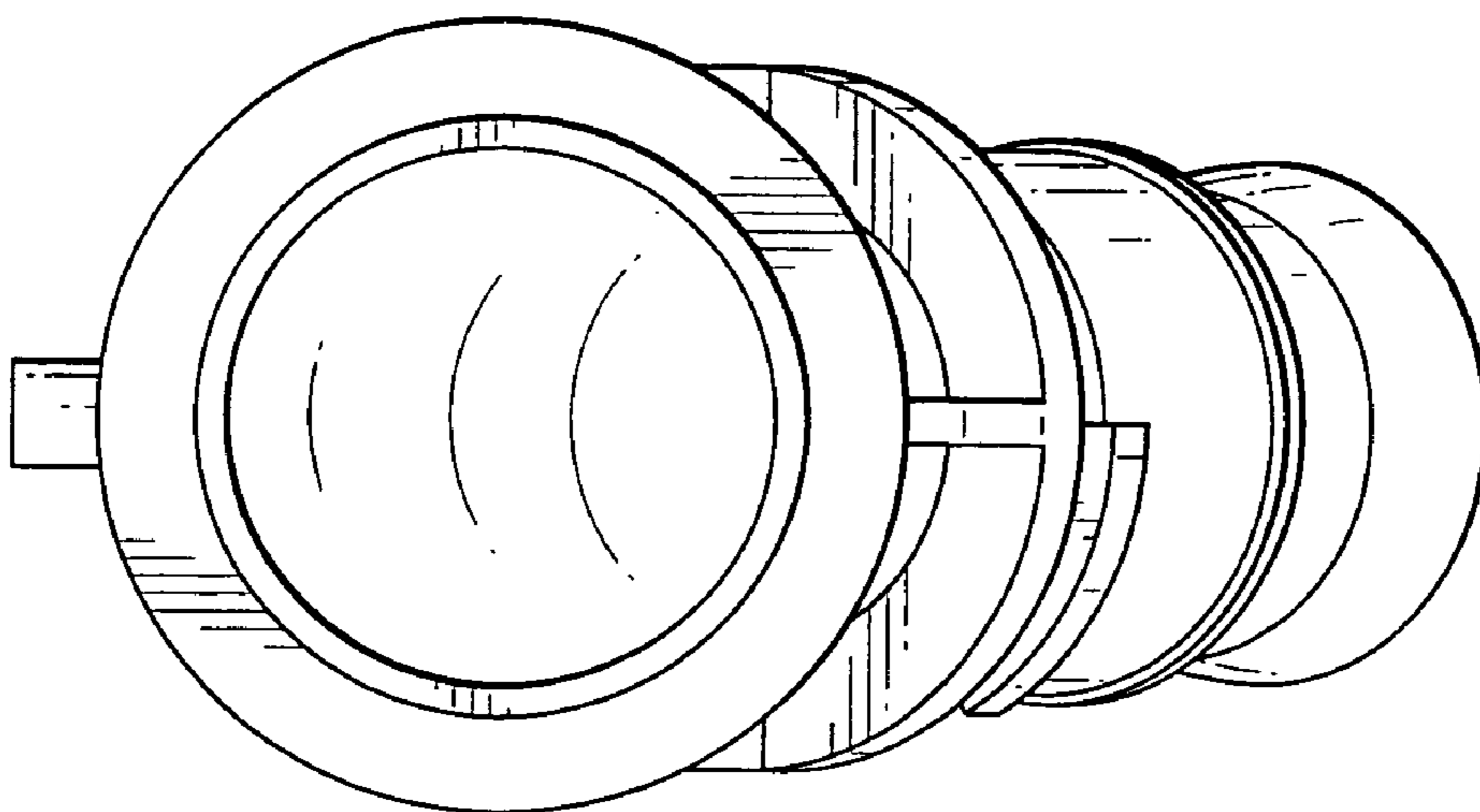


Fig. 3

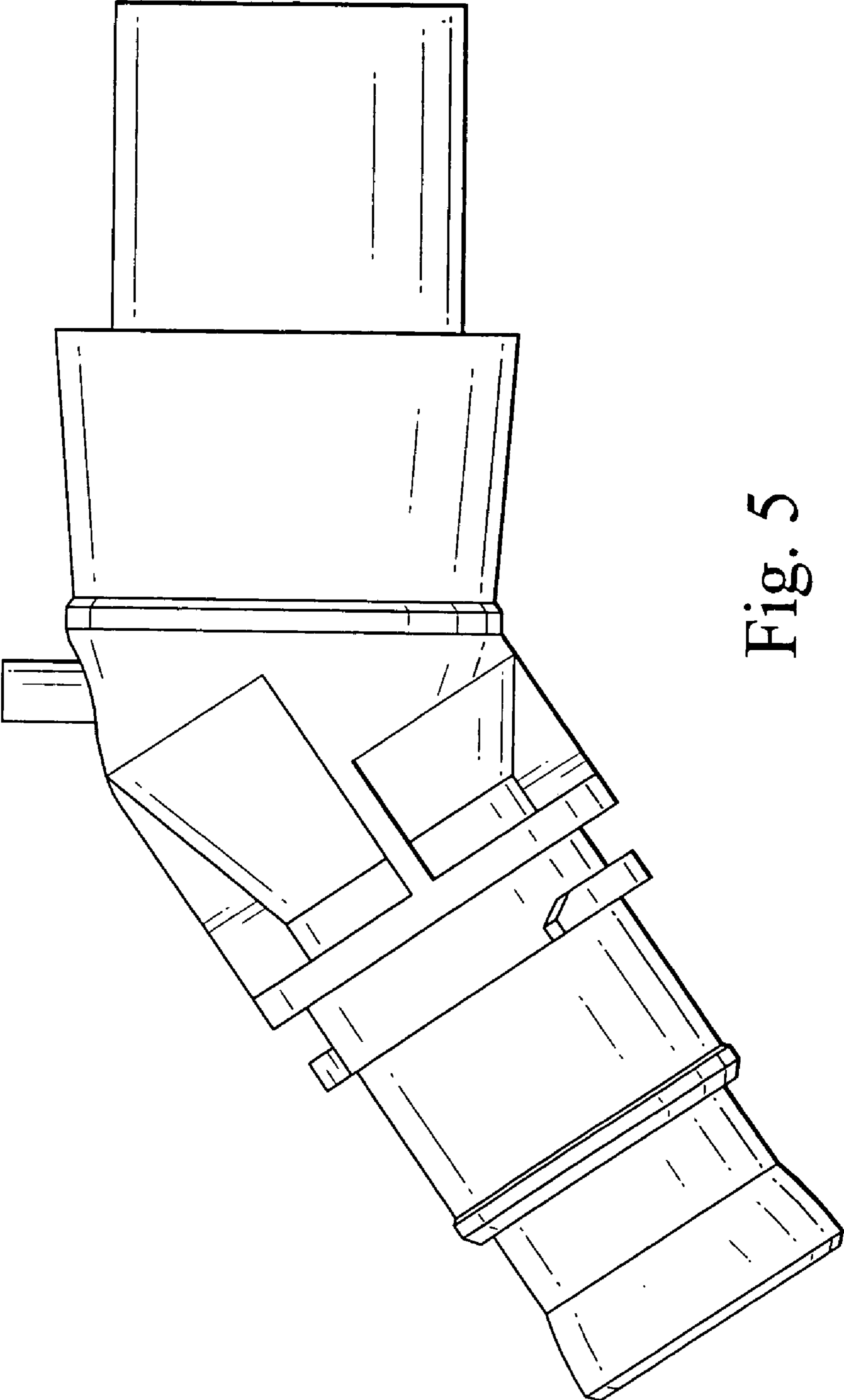


Fig. 5

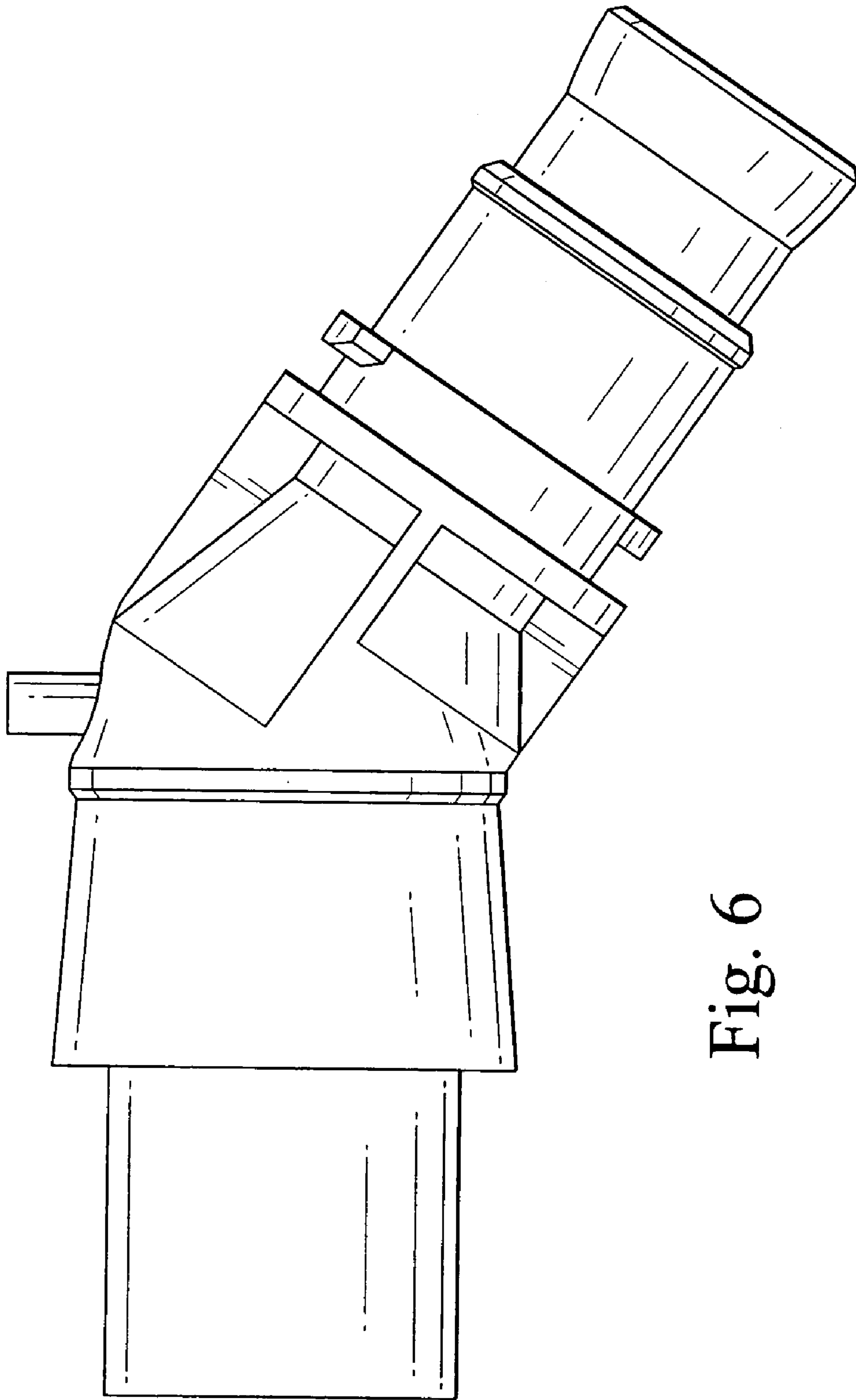


Fig. 6

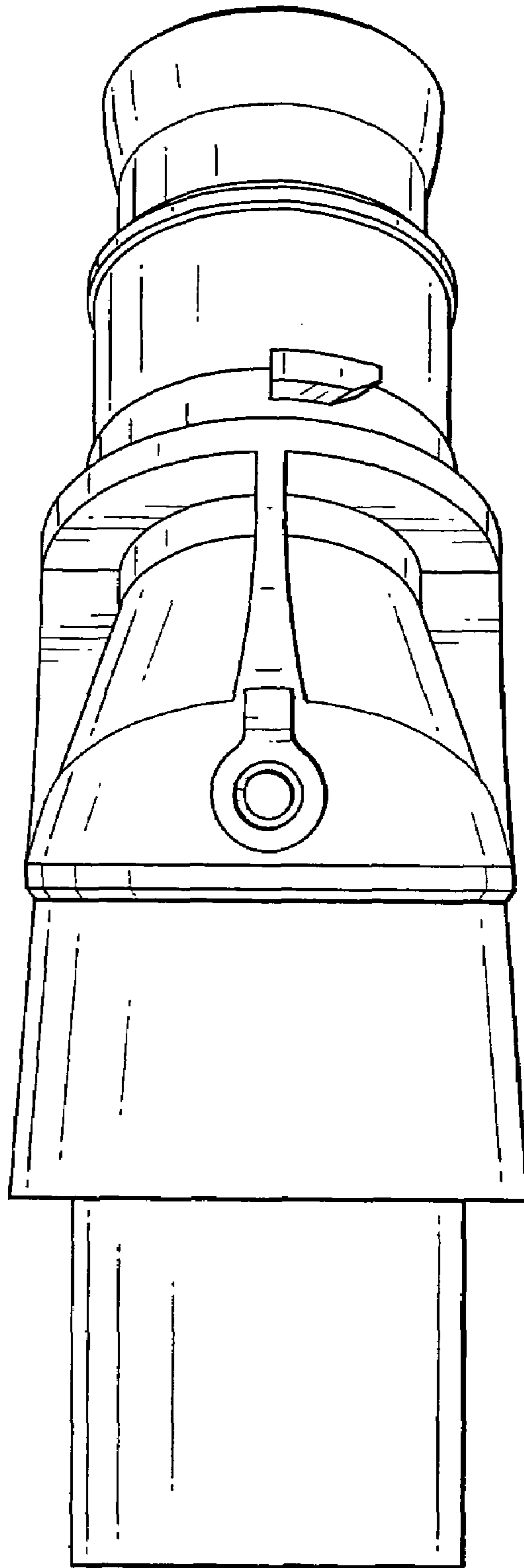


Fig. 7

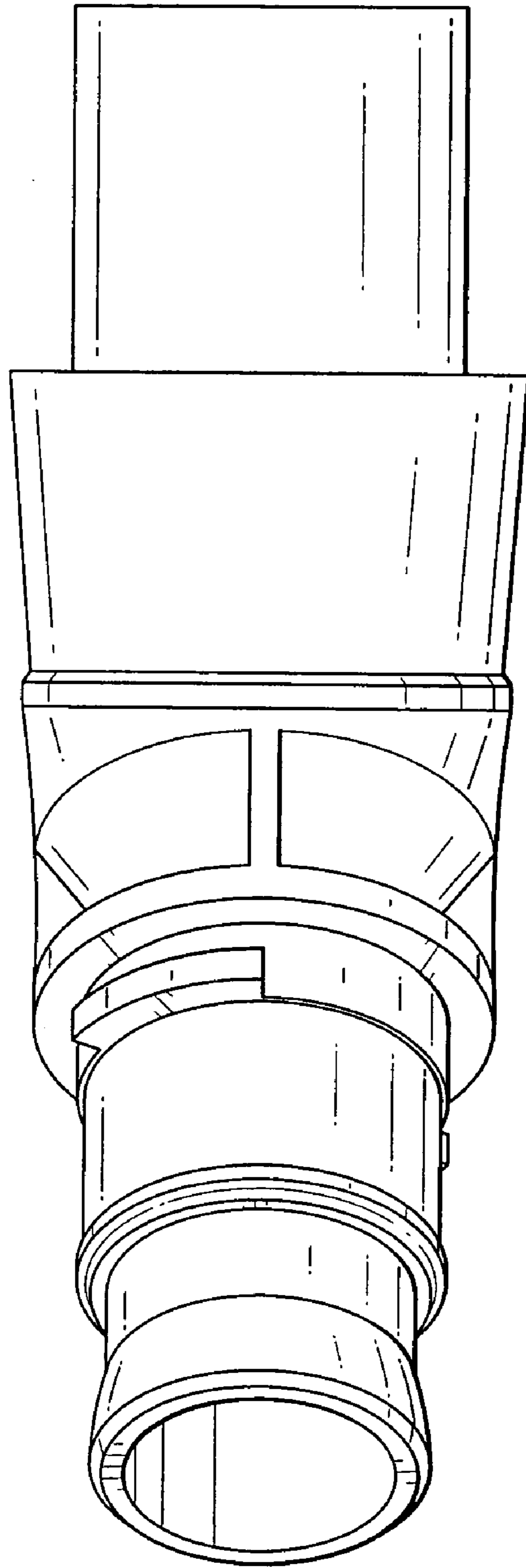


Fig. 8