



US00D577116S

(12) **United States Design Patent**  
**Orozco**

(10) **Patent No.:** **US D577,116 S**  
(45) **Date of Patent:** **\*\* Sep. 16, 2008**

(54) **BLADE MOUNTING ARM**

(75) Inventor: **Sergio Orozco**, West New York, NJ (US)

(73) Assignee: **King of Fans, Inc.**, Fort Lauderdale, FL (US)

(\*\*) Term: **14 Years**

(21) Appl. No.: **29/265,132**

(22) Filed: **Aug. 25, 2006**

**Related U.S. Application Data**

(62) Division of application No. 29/251,310, filed on Jan. 5, 2006, now Pat. No. Des. 548,321.

(51) **LOC (8) Cl.** ..... **23-04**

(52) **U.S. Cl.** ..... **D23/411**

(58) **Field of Classification Search** ..... D23/377,  
D23/379, 385, 411, 413; 416/5  
See application file for complete search history.

(56) **References Cited**

**U.S. PATENT DOCUMENTS**

|            |         |                   |       |         |
|------------|---------|-------------------|-------|---------|
| D364,224 S | 11/1995 | Wang              | ..... | D23/377 |
| D371,838 S | 7/1996  | Davis, Jr. et al. | ..... | D23/411 |
| D378,404 S | 3/1997  | Jaspers-Fayer     | ..... | D23/377 |
| D402,026 S | 12/1998 | Chuang et al.     | ..... | D23/377 |
| D408,518 S | 4/1999  | Liu               | ..... | D23/377 |
| D411,295 S | 6/1999  | Evans             | ..... | D23/411 |
| D412,571 S | 8/1999  | Lee               | ..... | D23/377 |
| D414,856 S | 10/1999 | Zuege             | ..... | D23/377 |
| D421,799 S | 3/2000  | Zuege             | ..... | D23/411 |
| D422,072 S | 3/2000  | Blateri           | ..... | D23/377 |

(Continued)

**OTHER PUBLICATIONS**

Pineapple Lantern and Iron Wall Hanger, [online] Colonial Williamsburg, Williamsburg Marketplace, For the Garden, [retrieved on Jun. 7, 2006] Retrieved from: [www.williamsburgmarketplace.com/exe/asp.other\\_template/MGID.3537/from Product...](http://www.williamsburgmarketplace.com/exe/asp.other_template/MGID.3537/from Product...)

Hanging Rustic Pineapple Lantern, [online] Divine Exotics, room accents [retrieved on Jun. 7, 2005] Retrieved from: <http://store.yahoo.com/divineexotics/hrupila.html>.

Handmade Lantern, "Pineapple Glow", [online] Shop.com, Novica.com [retrieved on Jun. 7, 2005] pp. 3, Retrieved from: <http://maos.shop.com/amos/cc/pcd/12751167/prd/19026237/ccsyn/260/ccsid/412039926-22>.

(Continued)

*Primary Examiner*—Lisa P Lichtenstein

(74) *Attorney, Agent, or Firm*—Brian S. Steinberger; Law Offices of Brian S. Steinberger, P.A.

(57) **CLAIM**

The ornamental design for a blade mounting arm, as shown and described.

**DESCRIPTION**

FIG. 1 is a perspective bottom front left view of a novel blade mounting arm.

FIG. 2 is a perspective bottom front right view of the blade mounting arm of FIG. 1.

FIG. 3 is a perspective bottom rear left view of the blade mounting arm of FIG. 1.

FIG. 4 is a perspective bottom rear right view of the blade mounting arm of FIG. 1.

FIG. 5 is a left side view of the blade mounting arm of FIG. 1.

FIG. 6 is a right side view of the blade mounting arm of FIG. 1.

FIG. 7 is a bottom view of the blade mounting arm of FIG. 1.

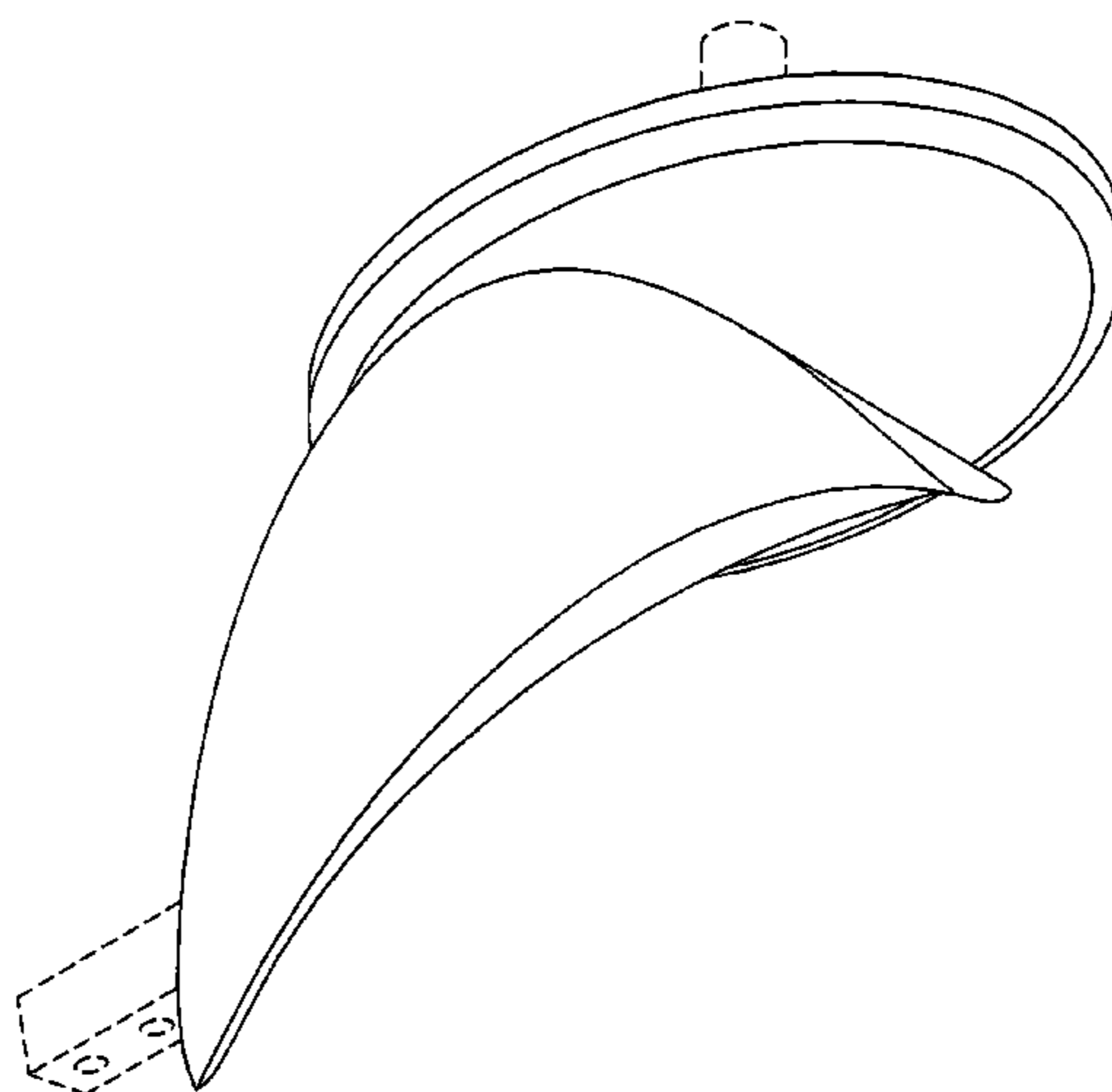
FIG. 8 is a top view of the blade mounting arm of FIG. 1.

FIG. 9 is a front view of the blade mounting arm of FIG. 1; and,

FIG. 10 is a rear view of the blade mounting arm of FIG. 1.

The broken line showing of mounting flange extensions and holes is included for the purpose of illustrating environmental structure and forms no part of the claimed design.

**1 Claim, 10 Drawing Sheets**



# US D577,116 S

Page 2

## U.S. PATENT DOCUMENTS

D426,879 S 6/2000 Gajewski ..... D23/411  
D443,352 S 6/2001 Lantz ..... D23/413  
D451,997 S 12/2001 Schwartz ..... D23/413  
D454,636 S 3/2002 Lantz ..... D23/413  
D462,756 S 9/2002 Liu ..... D23/377  
D469,950 S 2/2003 Scalise et al. .... D3/3  
D480,471 S 10/2003 Hsieh ..... D23/411  
D484,233 S 12/2003 Bucher et al. .... D23/377  
D484,587 S 12/2003 Bucher et al. .... D23/377  
D485,345 S 1/2004 Bucher ..... D23/377  
D485,346 S 1/2004 Bucher et al. .... D23/377  
D485,347 S 1/2004 Bucher et al. .... D23/377  
D495,817 S 9/2004 Bucher et al. .... D26/67  
D496,119 S 9/2004 Bucher et al. .... D26/67  
D497,022 S 10/2004 Bucher et al. .... D26/67

D500,160 S 12/2004 Bucher et al. .... D26/71  
D500,161 S 12/2004 Bucher et al. .... D26/71  
D500,876 S 1/2005 Bucher et al. .... D26/67  
D510,992 S 10/2005 Bucher ..... D23/377  
D548,321 S \* 8/2007 Orozco ..... D23/411

## OTHER PUBLICATIONS

Pineapple Collection by Quoizel, [online] Farrey's.com, Lighting, Quoizel, Pineapple Collection, [Retrieved on Jun. 7, 2005] pp. 5, Retrieved from: [http://www.farreys.com/lighting/quoizel/collection\\_pineapple.html](http://www.farreys.com/lighting/quoizel/collection_pineapple.html).

Plantation Pineapple Selections, [online] Hinkley Lighting.com, Products, Select Family, Plantation [Retrieved on Dec. 6, 2005] pp. 2, Retrieved from: [http://www.hinkleylighting.com/products/browse\\_search.asp?famid=014111022&catid=01...](http://www.hinkleylighting.com/products/browse_search.asp?famid=014111022&catid=01...)

\* cited by examiner

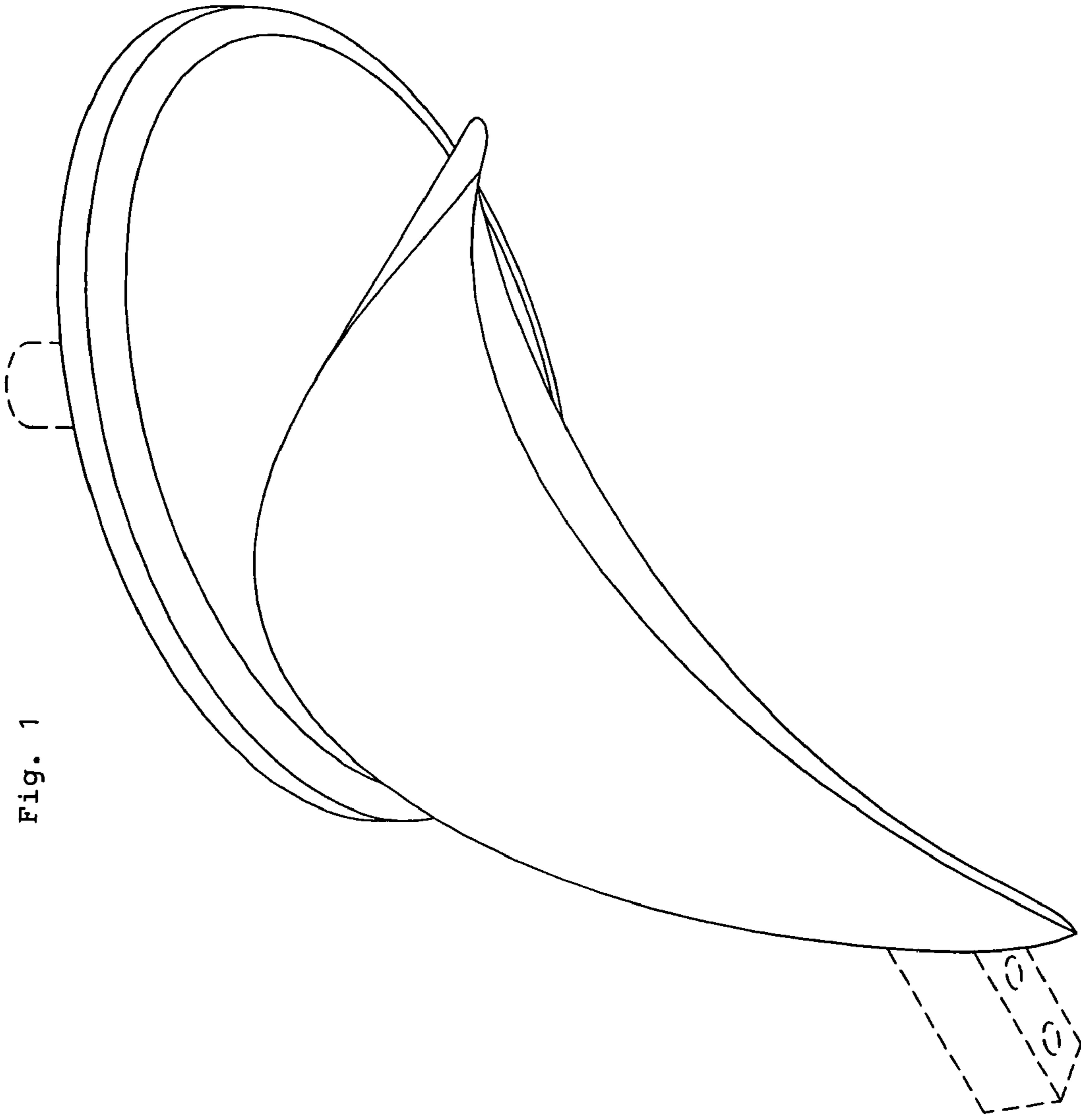


Fig. 1

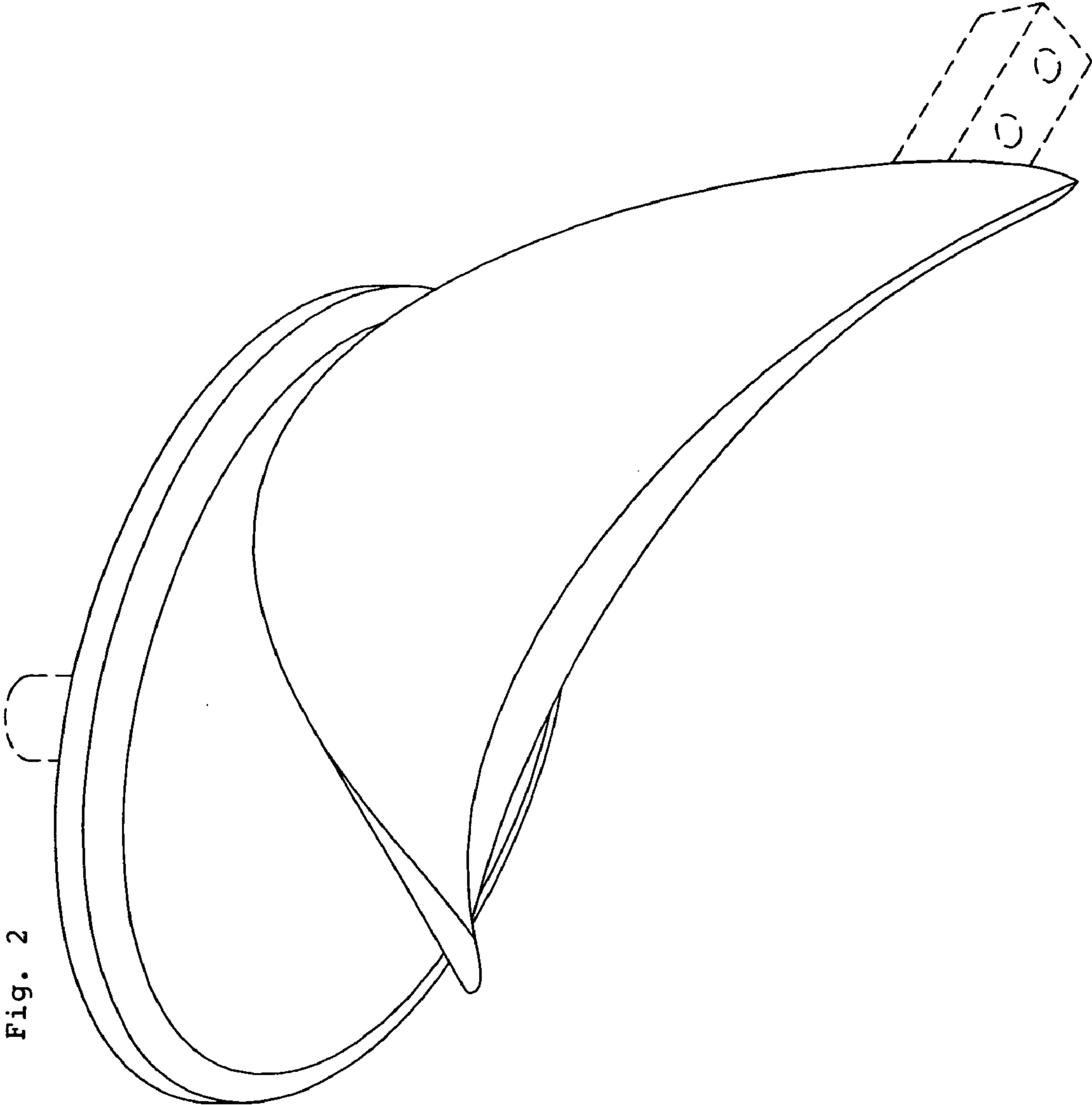
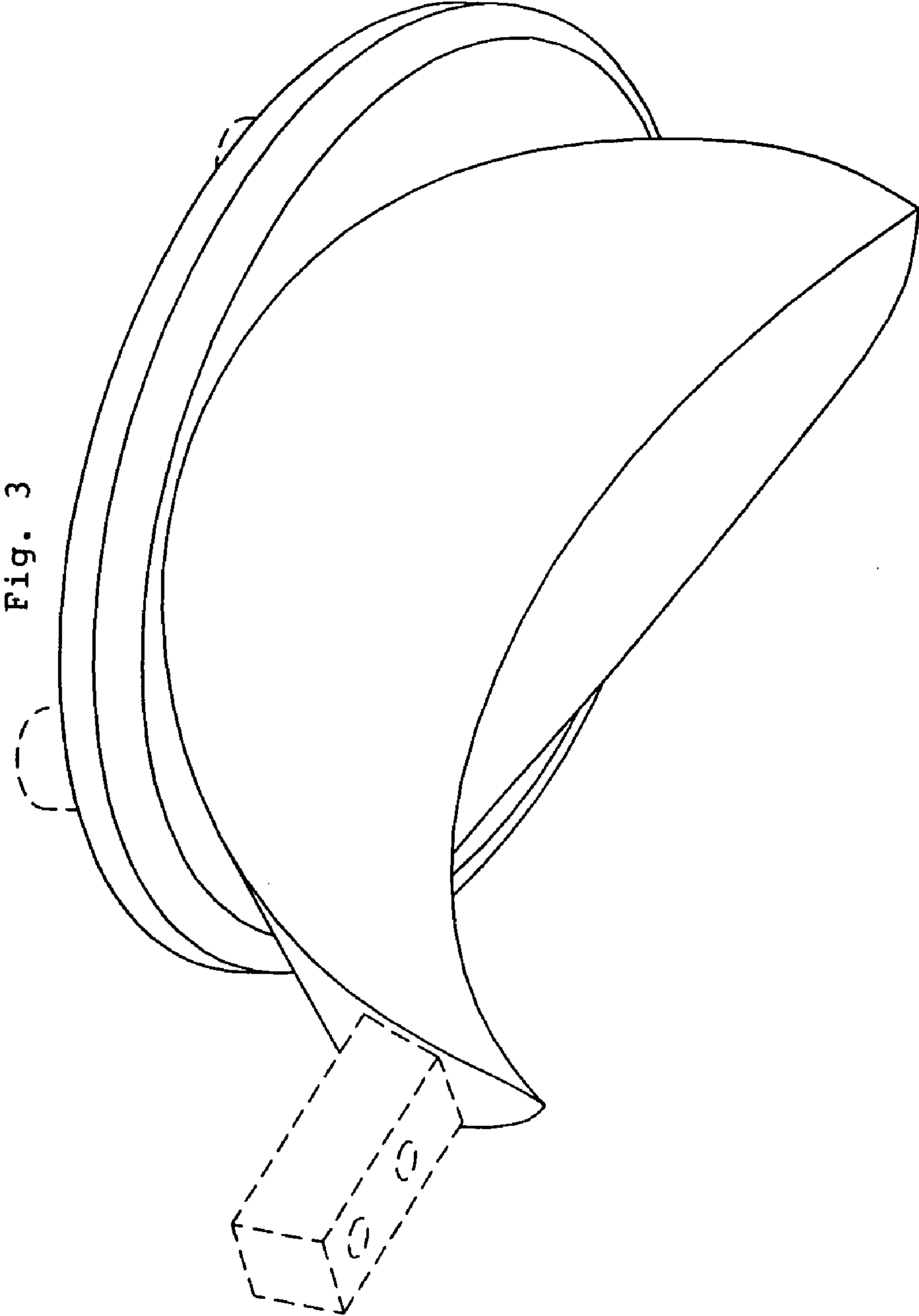


Fig. 2



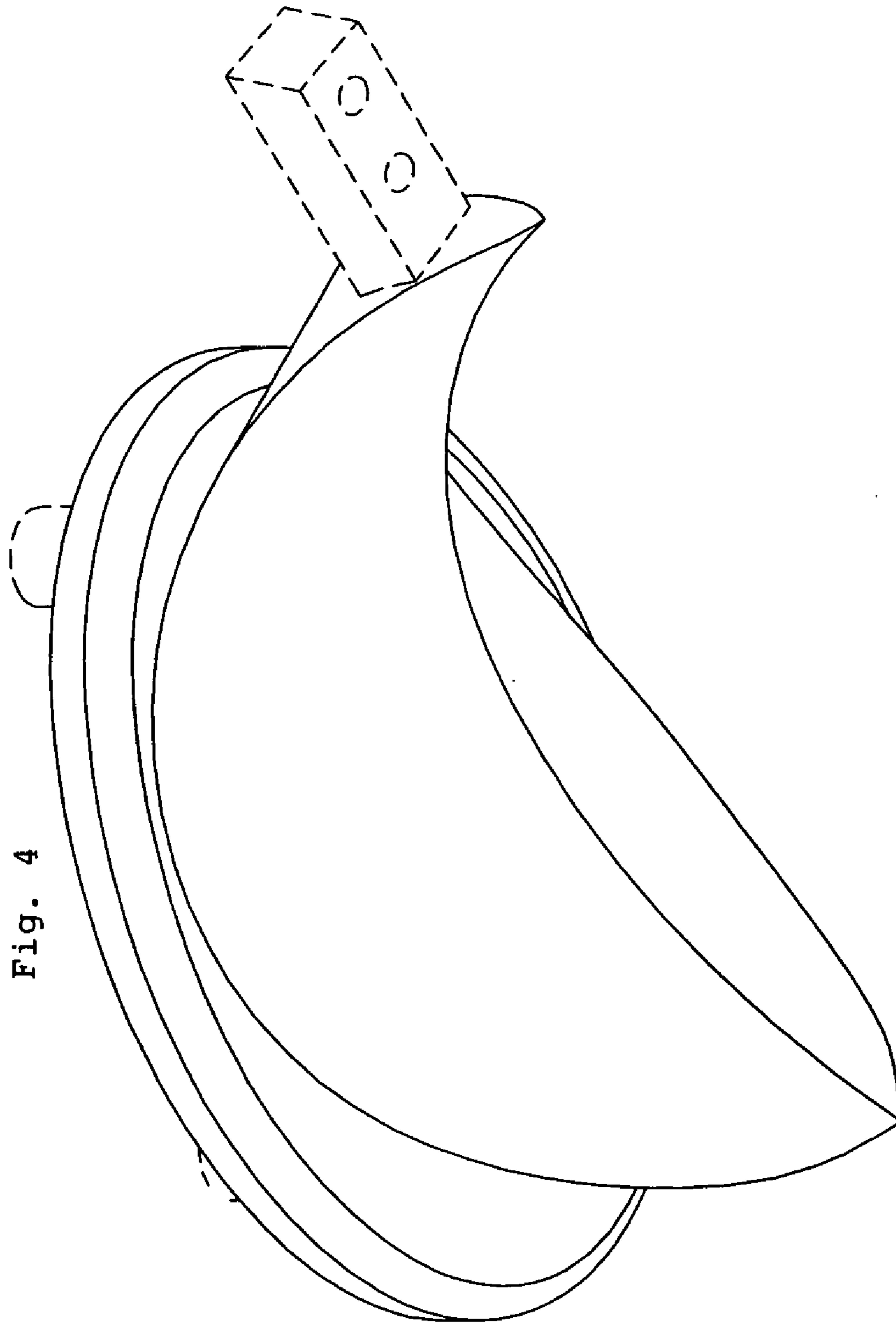
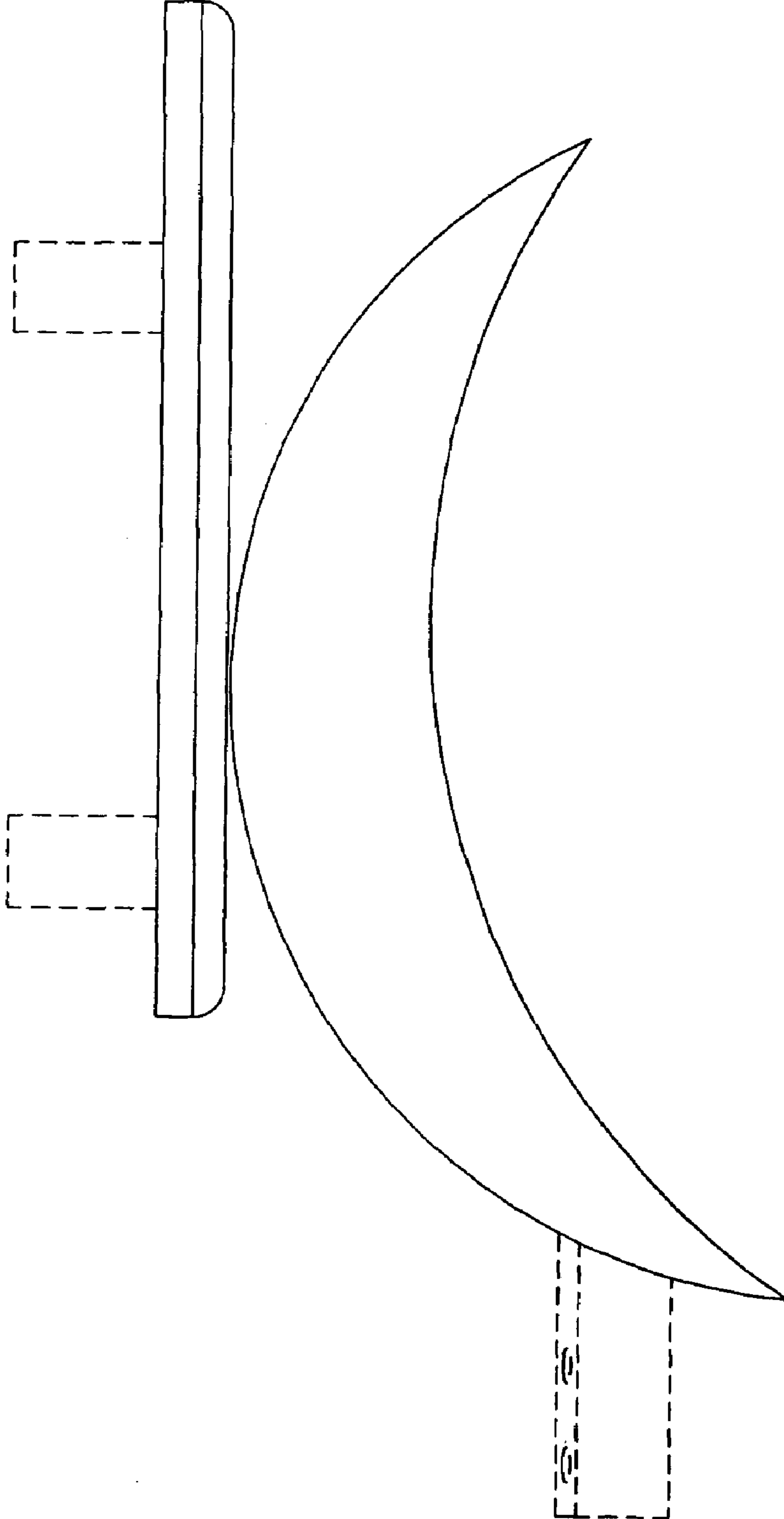


Fig. 4

Fig. 5



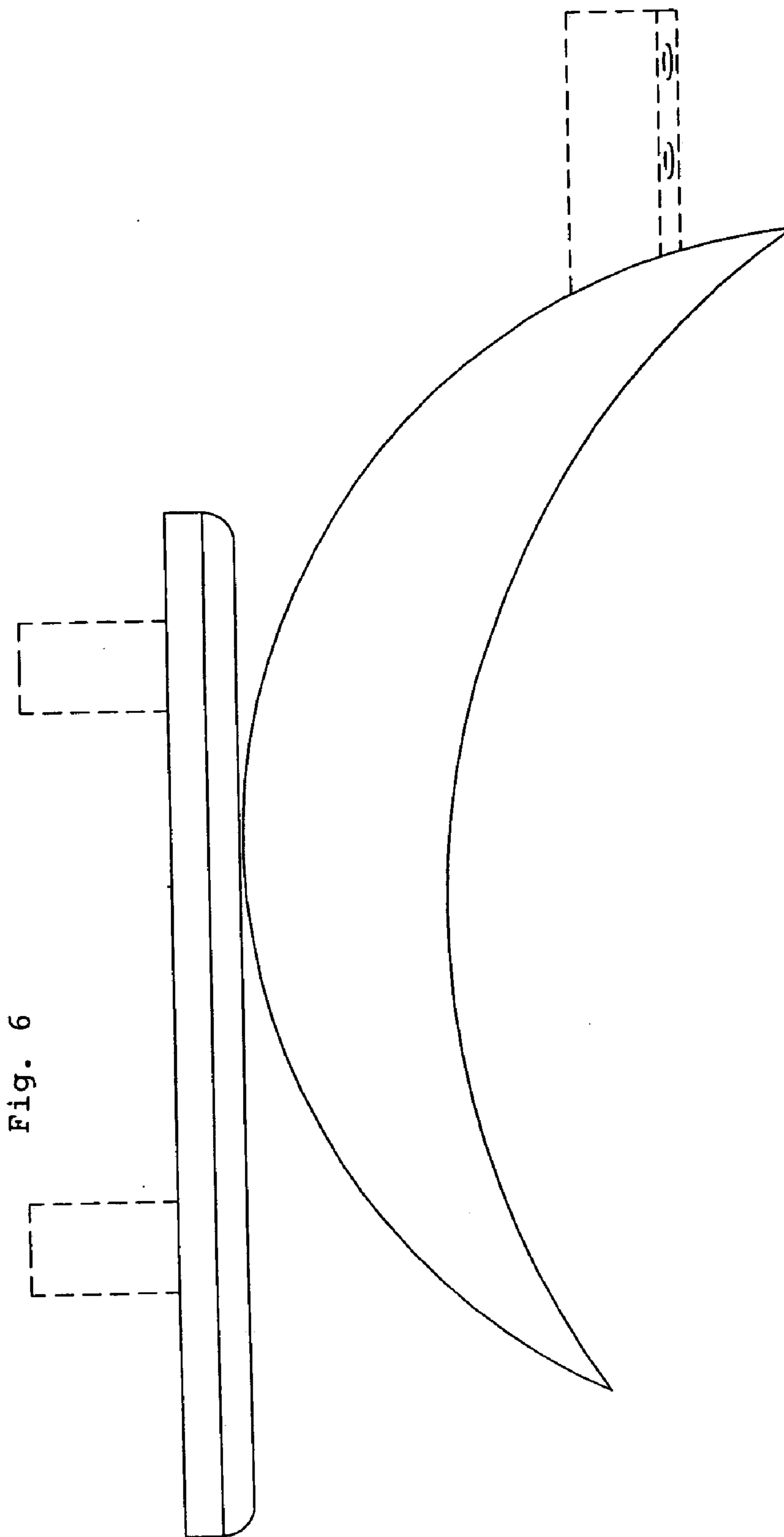


Fig. 6



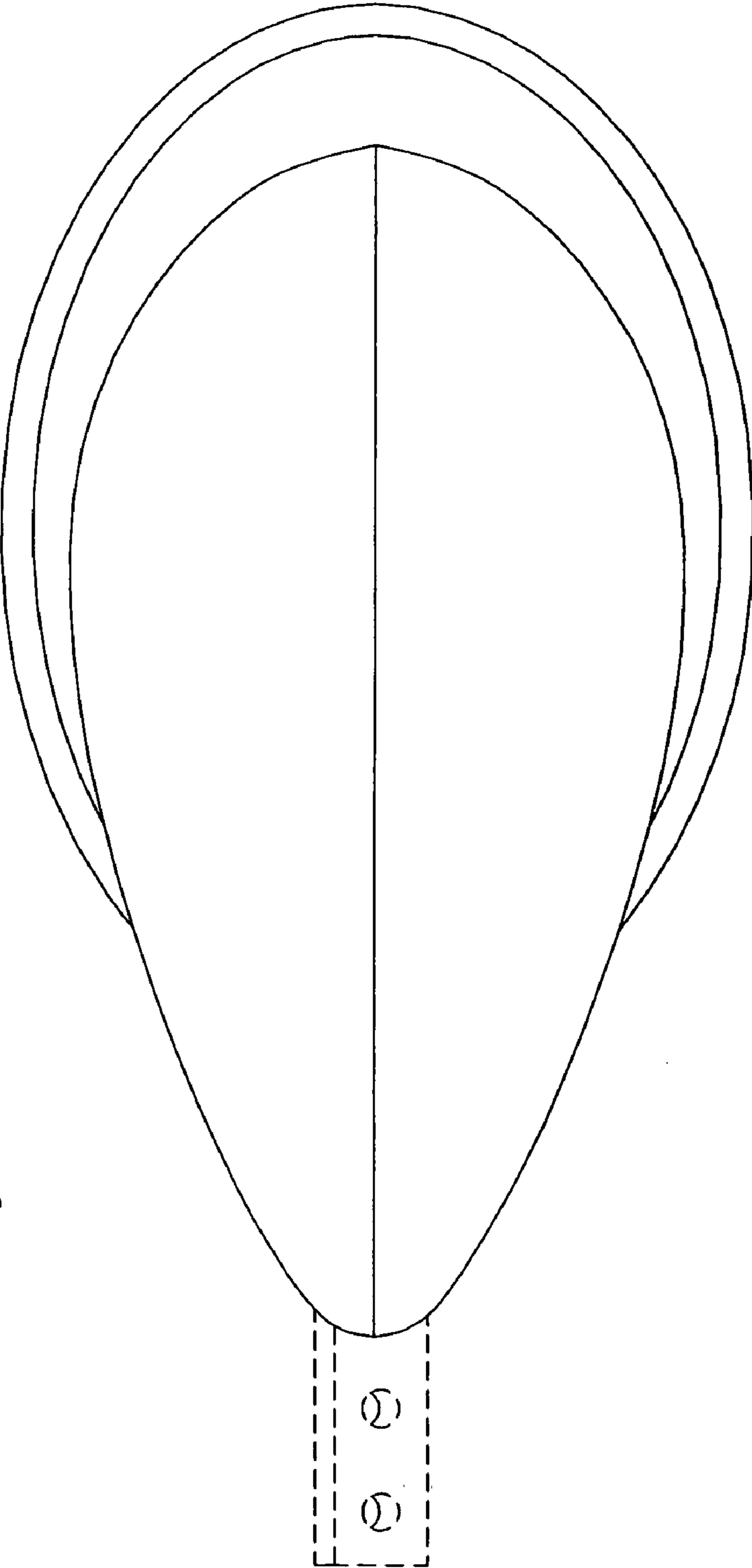


Fig. 7

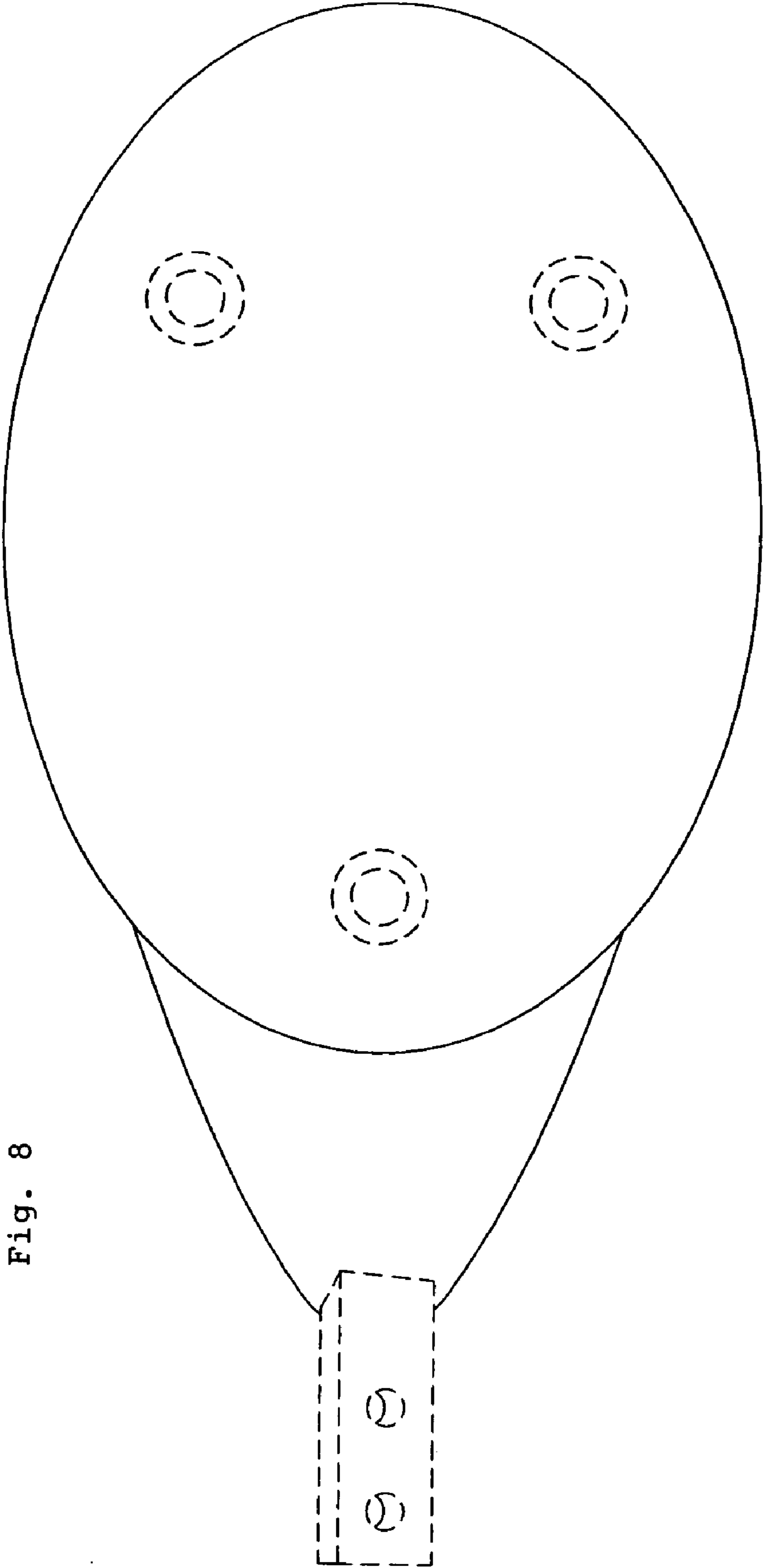


Fig. 8

Fig. 9

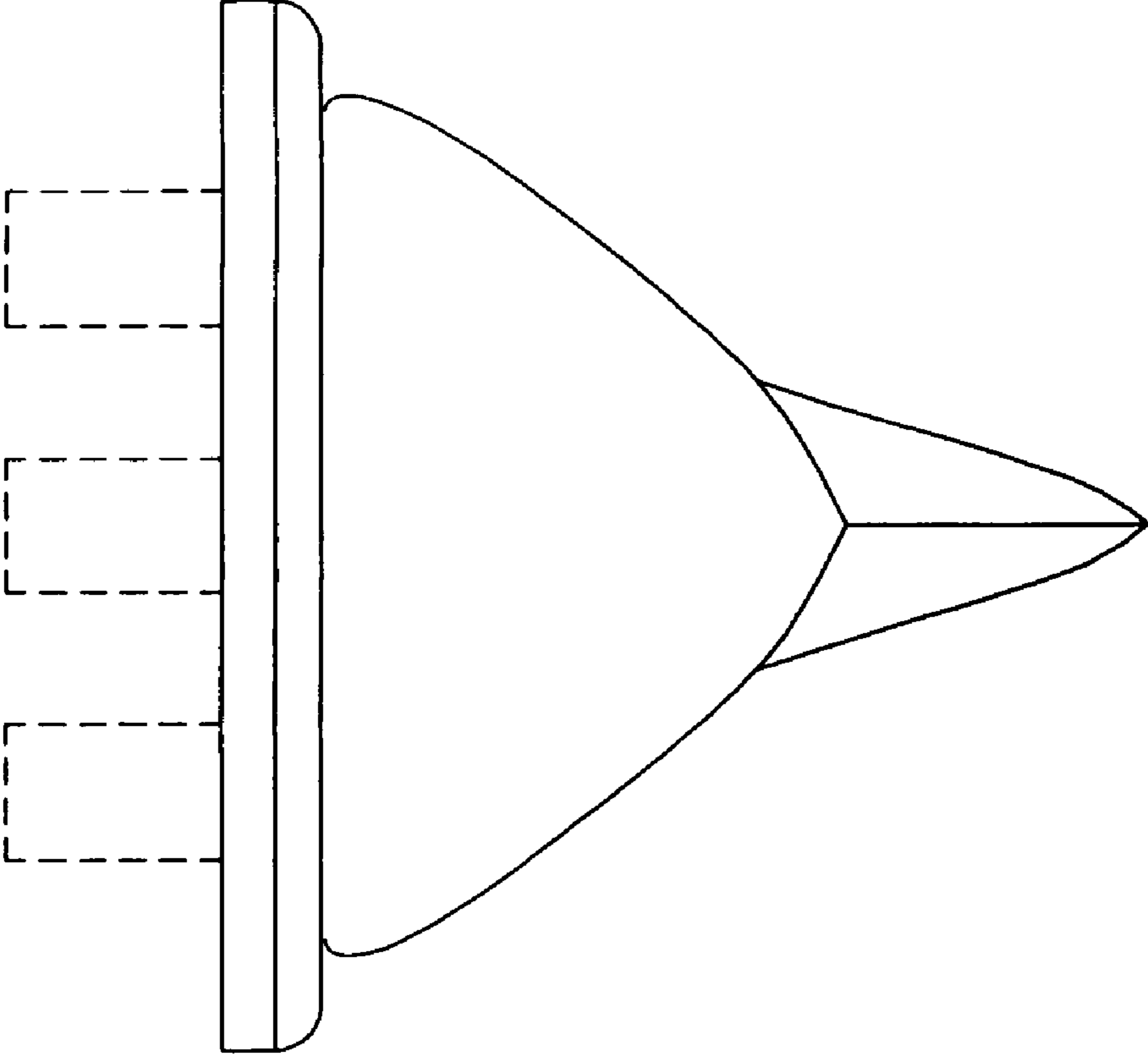


Fig. 10

