



US00D577114S

(12) **United States Design Patent**  
**Yusa et al.**

(10) **Patent No.:** **US D577,114 S**  
(45) **Date of Patent:** **\*\* Sep. 16, 2008**

- (54) **HEAT PROOF GUARD RAIL FOR INDUSTRIAL FURNACES**
- (75) Inventors: **Katsuhiro Yusa**, Fukushima (JP);  
**Yasushi Okada**, Fukushima (JP);  
**Shigetoshi Ajima**, Fukushima (JP)
- (73) Assignee: **Kureha Corporation**, Tokyo (JP)
- (\*\*) Term: **14 Years**

D473,662 S *	4/2003	Shaw	.....	D25/119
D477,420 S *	7/2003	Butcher	.....	D25/119
D482,261 S *	11/2003	Kobayashi	.....	D8/349
D489,463 S *	5/2004	Barnett	.....	D25/119
D518,186 S *	3/2006	Zarb	.....	D25/119
D521,657 S *	5/2006	Zarb	.....	D25/136
D528,669 S *	9/2006	Zarb	.....	D25/136
D534,790 S *	1/2007	Garda	.....	D8/377
D543,094 S *	5/2007	Remmers	.....	D8/377
2001/0025458 A1 *	10/2001	James et al.	.....	52/58
2005/0055903 A1 *	3/2005	Greenberg	.....	52/198

(21) Appl. No.: **29/267,268**

(22) Filed: **Oct. 11, 2006**

(30) **Foreign Application Priority Data**

Apr. 11, 2006 (JP) ..... 2006-009442

- (51) **LOC (8) Cl.** ..... **23-03**
- (52) **U.S. Cl.** ..... **D23/386**
- (58) **Field of Classification Search** ..... D23/386,  
D23/329, 357, 393, 323, 499, 341, 354, 373,  
D23/328, 355; D8/349, 366, 377, 381, 382,  
D8/354; D25/119, 60, 136; 52/198, 199,  
52/302.1, 57, 60, 58; 248/48.2, 200, 237,  
248/208, 236, 247, 300; 160/223; 285/363,  
285/364

See application file for complete search history.

(56) **References Cited**

**U.S. PATENT DOCUMENTS**

D251,807 S *	5/1979	Apri	.....	D25/136
4,192,119 A *	3/1980	Murphy	.....	D25/119
4,461,499 A *	7/1984	Hunter et al.	.....	285/364
D295,080 S *	4/1988	Willan	.....	D25/60
5,016,406 A *	5/1991	Calam et al.	.....	52/58
5,054,823 A *	10/1991	Arnoldt	.....	285/363
D325,695 S *	4/1992	Mort	.....	D8/382
5,356,103 A *	10/1994	McClurg	.....	248/247
D376,972 S *	12/1996	Zissu	.....	D8/354
D396,117 S *	7/1998	Zaccagni	.....	D25/119
6,067,759 A *	5/2000	House	.....	52/198
6,293,064 B1 *	9/2001	Larson	.....	52/302.1
6,360,508 B1 *	3/2002	Pelfrey et al.	.....	52/198

\* cited by examiner

*Primary Examiner*—Louis S Zarfaz

*Assistant Examiner*—David G Muller

(74) *Attorney, Agent, or Firm*—Jacobson Holman PLLC

(57) **CLAIM**

The ornamental design for a heat proof guard rail for industrial furnaces, as shown and described.

**DESCRIPTION**

FIG. 1 is a front perspective view of the heat proof guard rail for industrial furnaces, showing its indefinite length.

FIG. 2 is a rear perspective view thereof.

FIG. 3 is a front view thereof.

FIG. 4 is a rear view thereof.

FIG. 5 is a top view thereof.

FIG. 6 is a bottom view thereof.

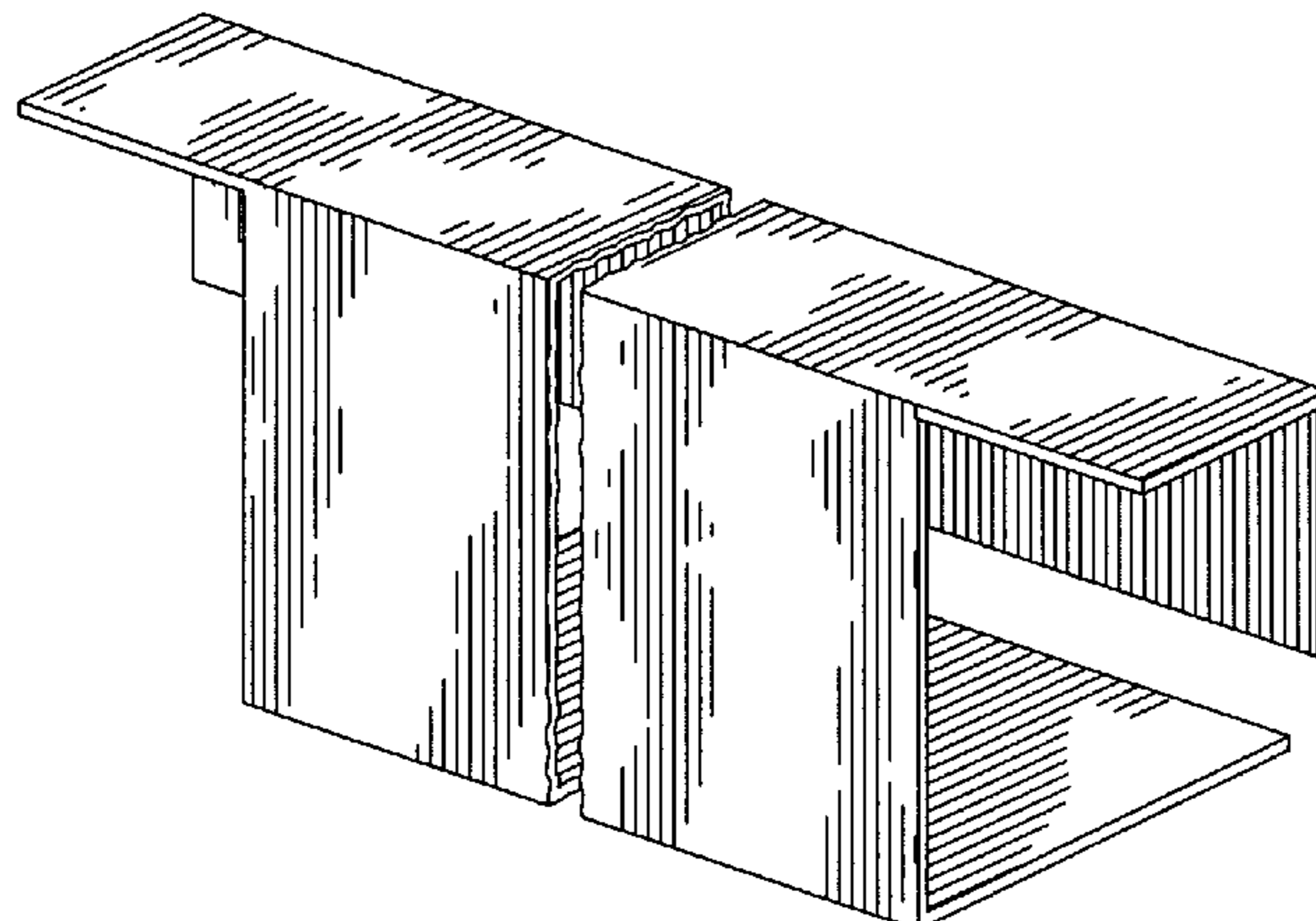
FIG. 7 is a right side view thereof, the left side view being a mirror image.

FIG. 8 is a perspective view depicting the article in use in an industrial furnace; and,

FIG. 9 is a section view taken along line 9—9 of FIG. 8.

The claimed design is shown broken away to indicate indeterminate length. The broken line showing of parts of the drawings is included for the purpose of illustrating use and environment and forms no part of the claimed design.

**1 Claim, 4 Drawing Sheets**



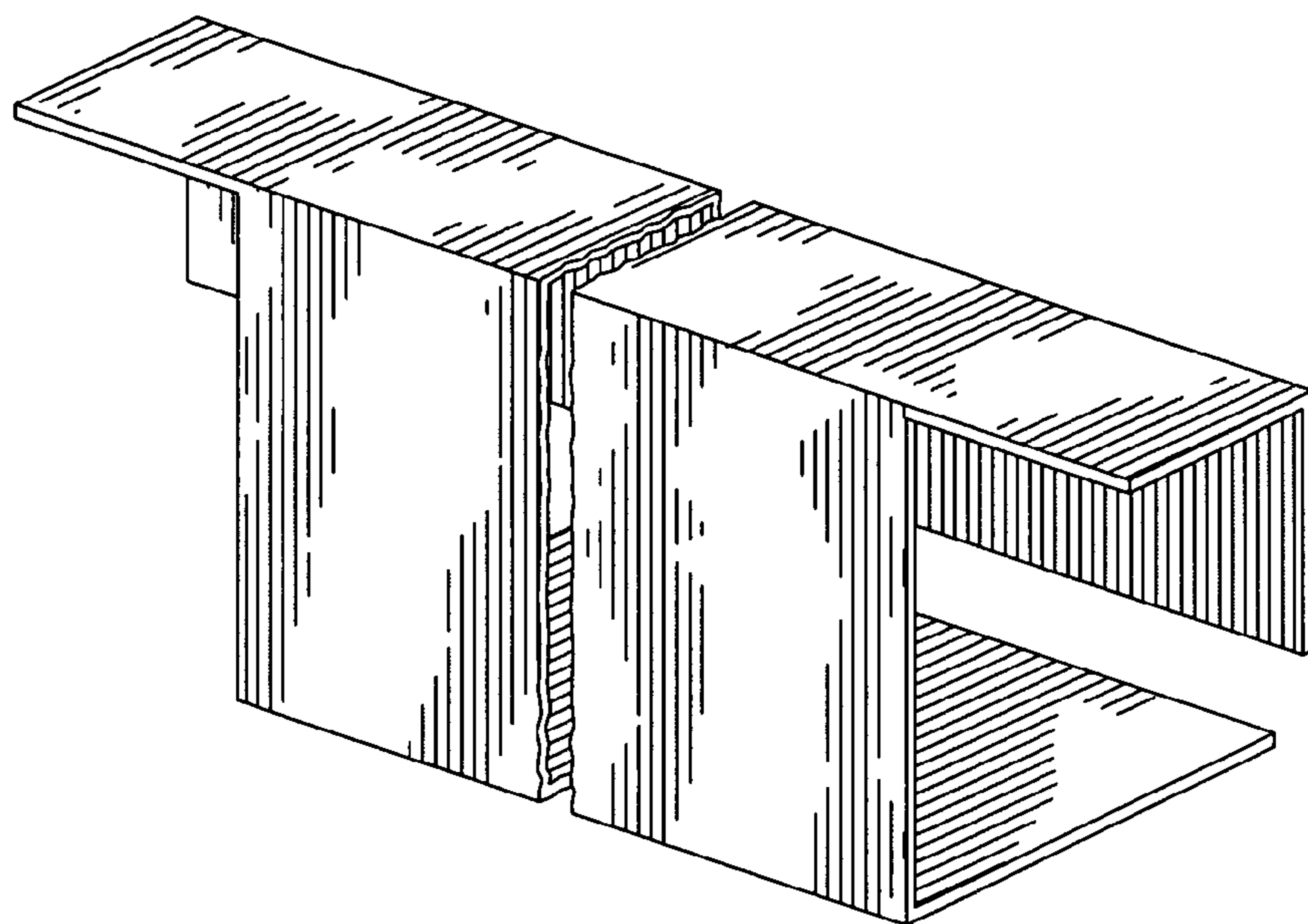


FIG. 1

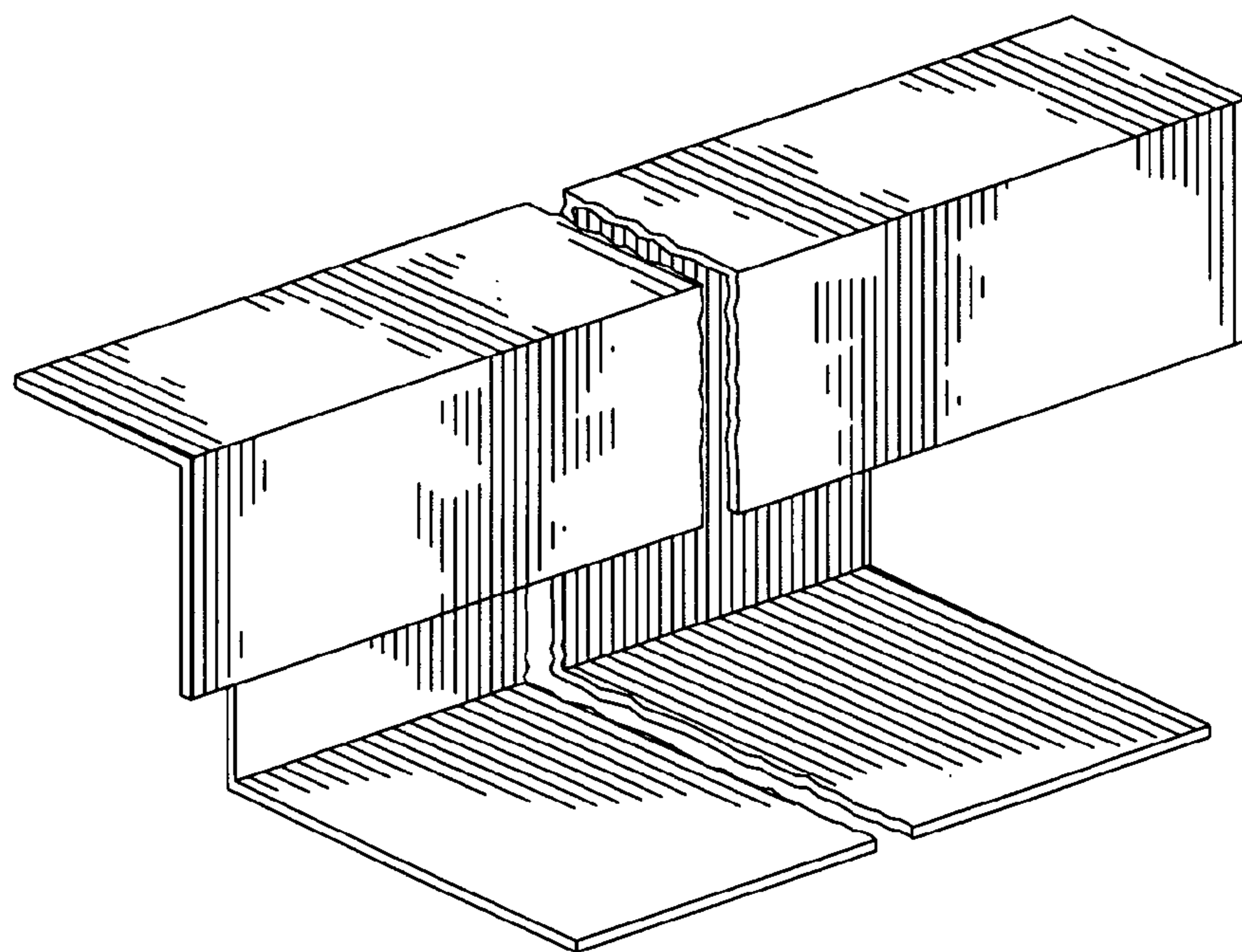


FIG. 2

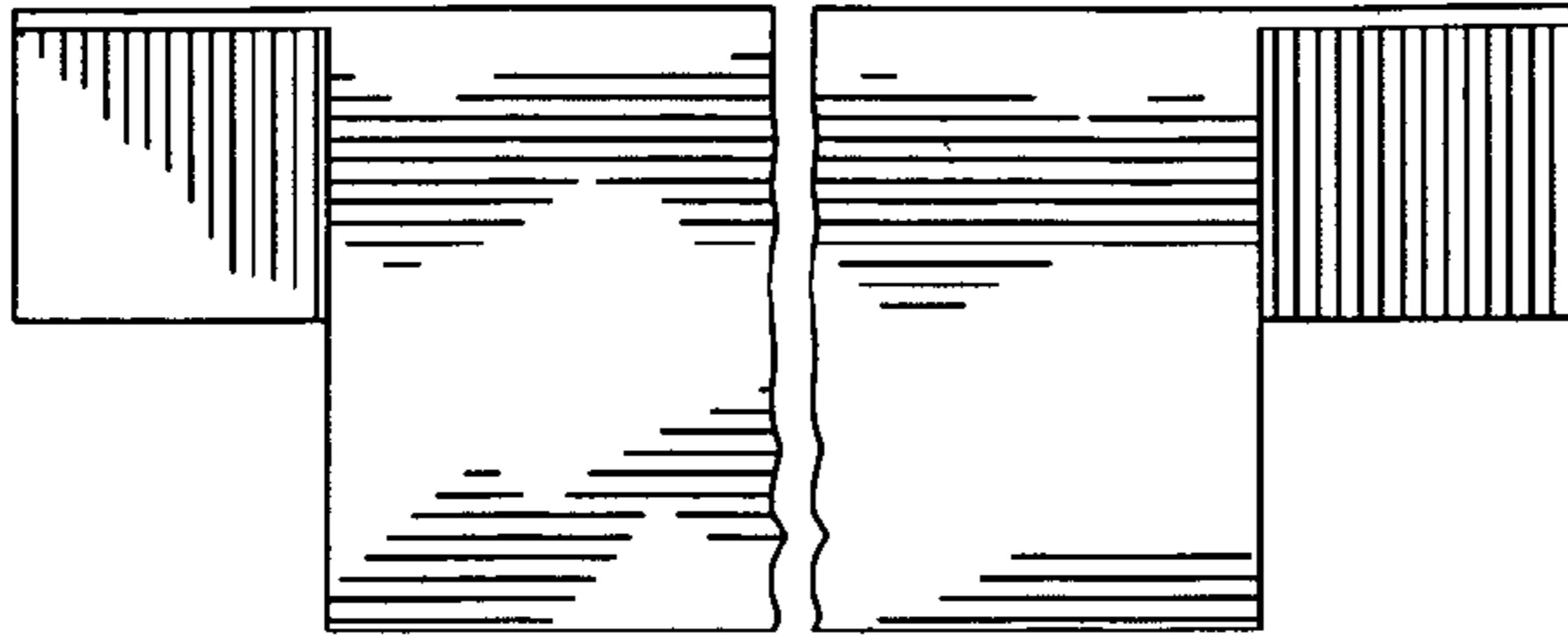


FIG. 3

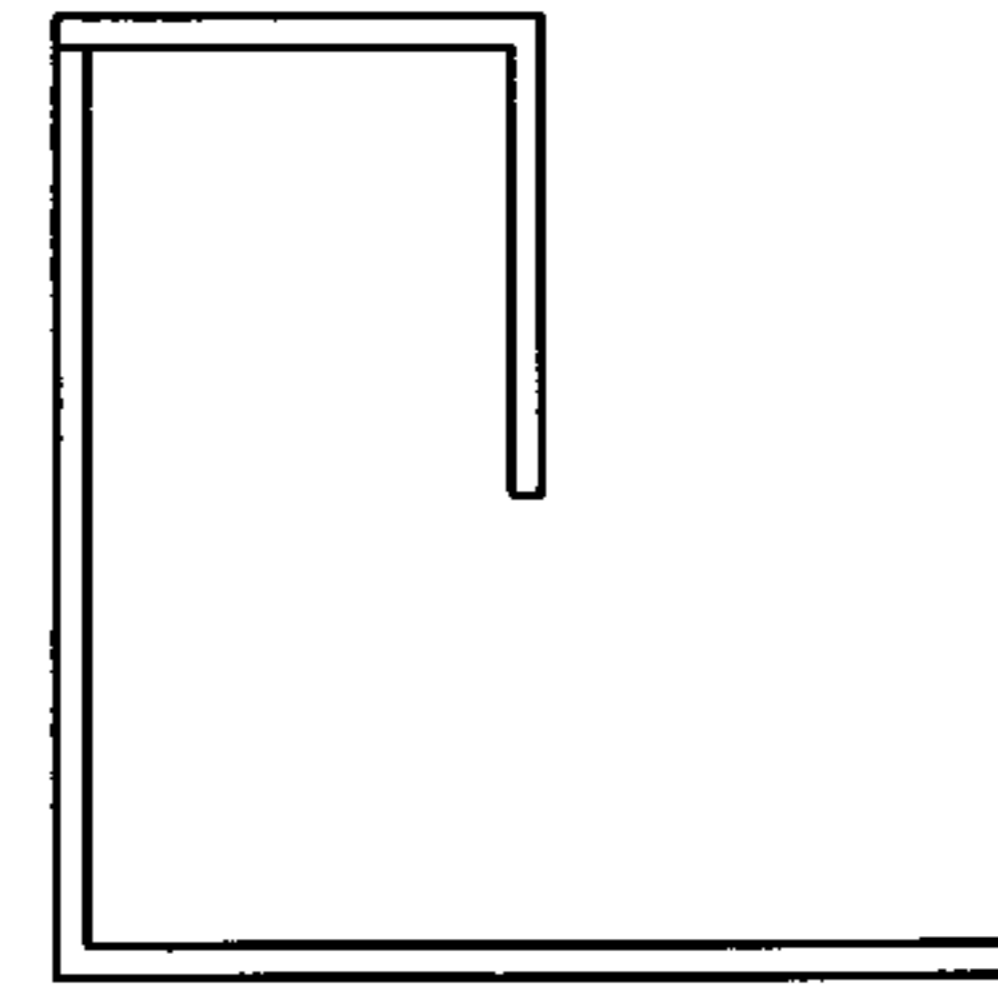


FIG. 7

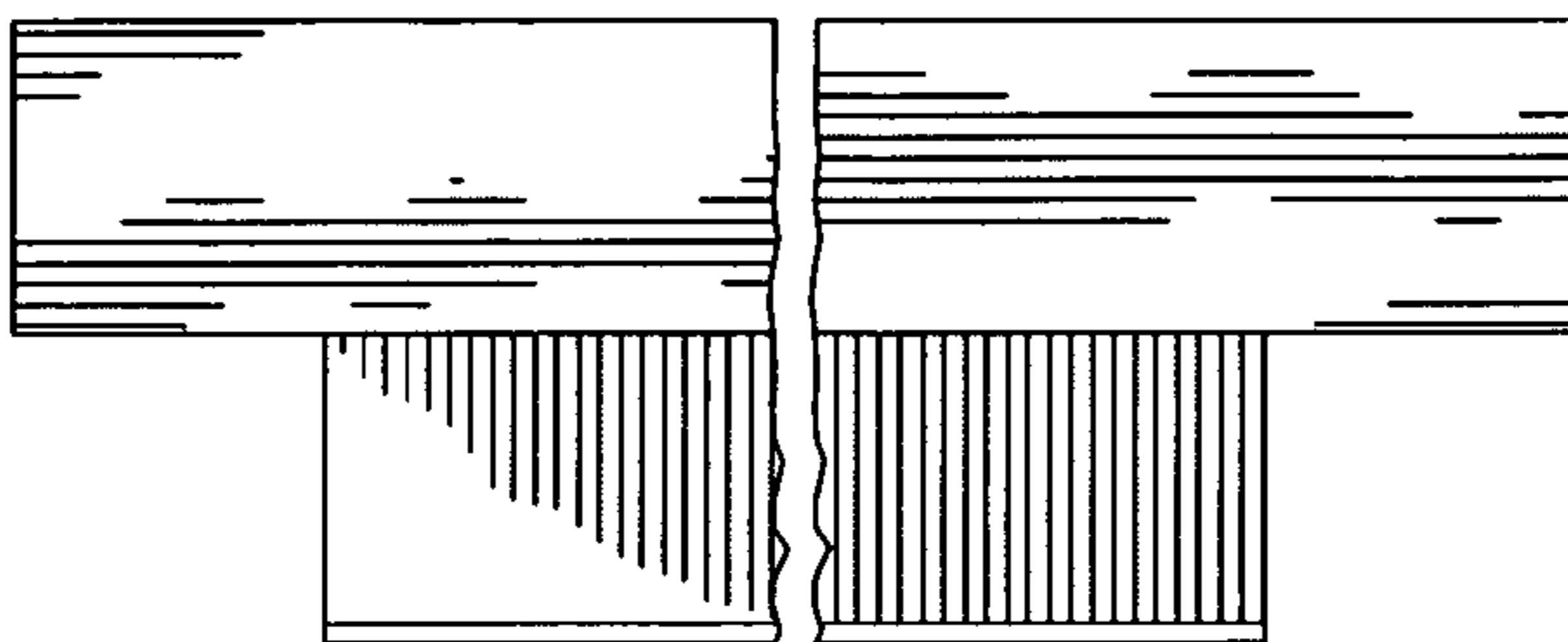


FIG. 4

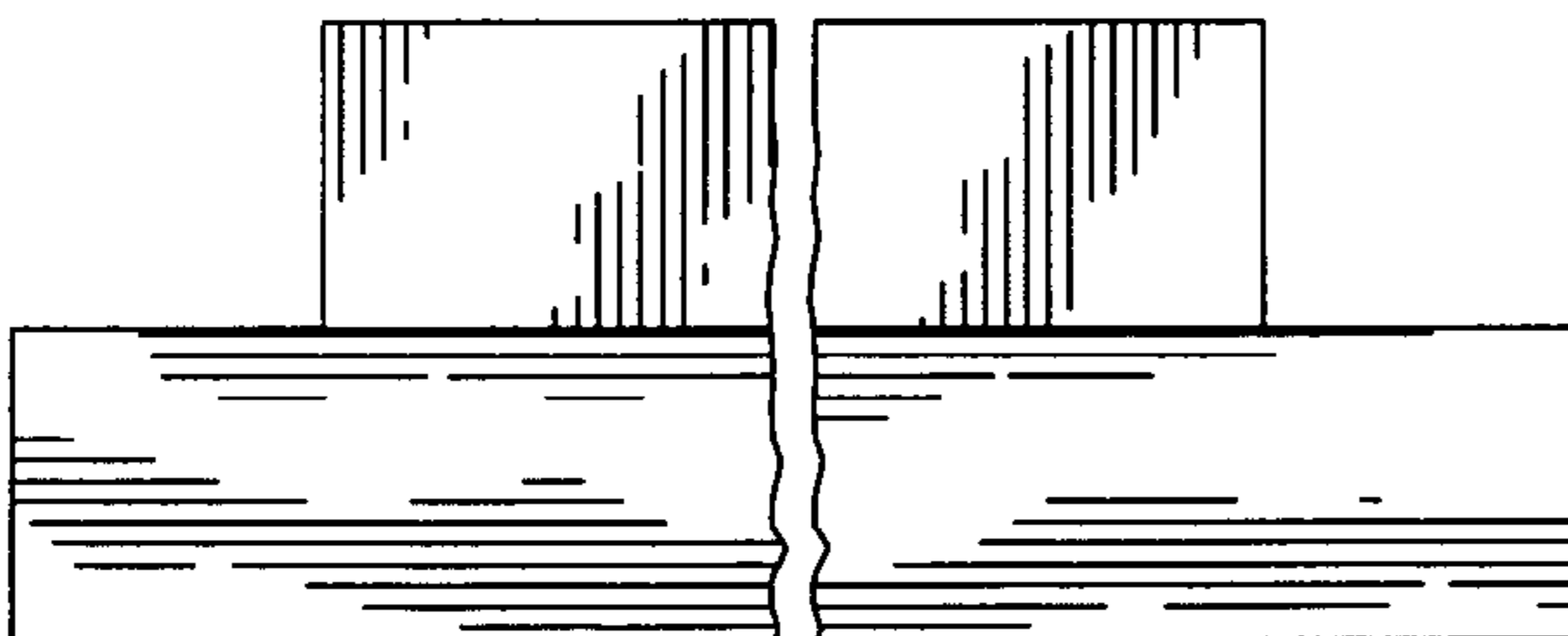


FIG. 5

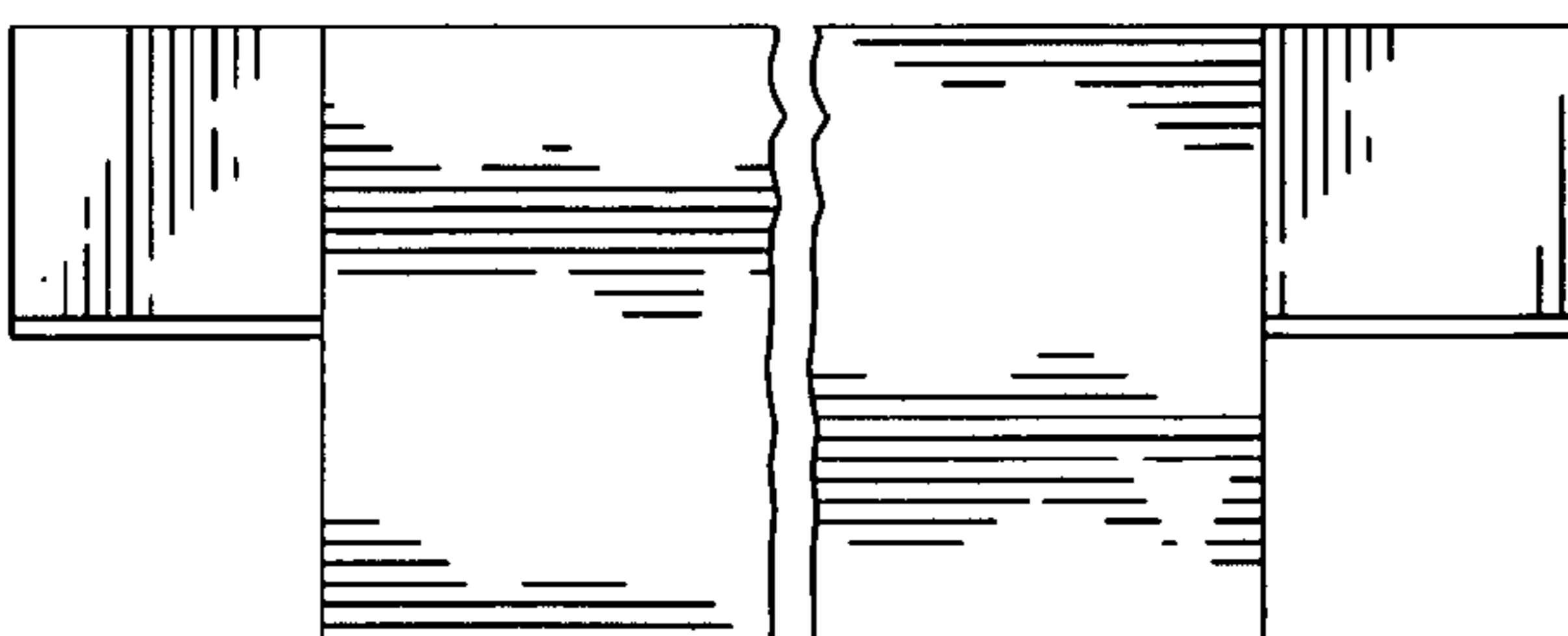


FIG. 6

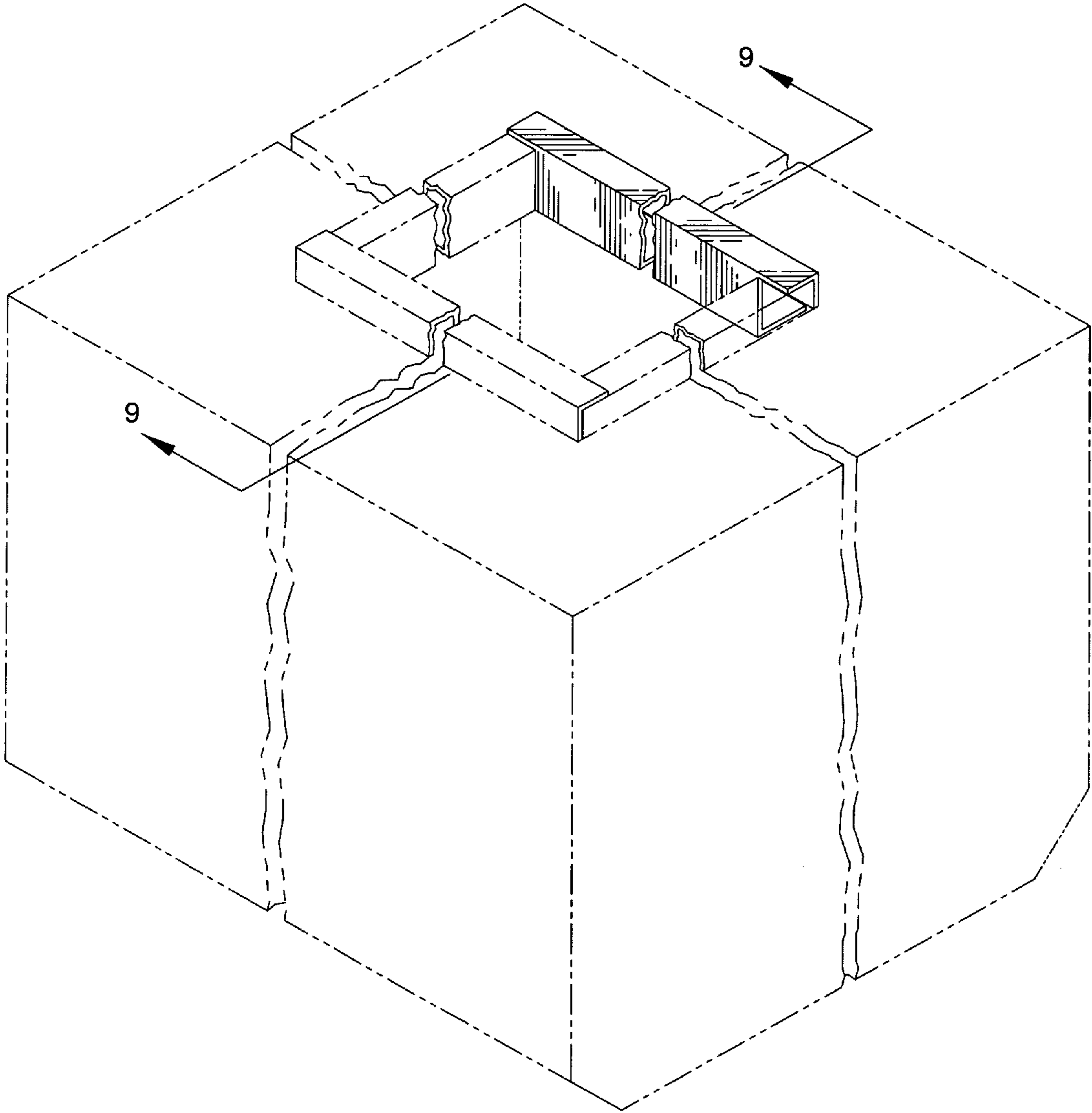


FIG. 8

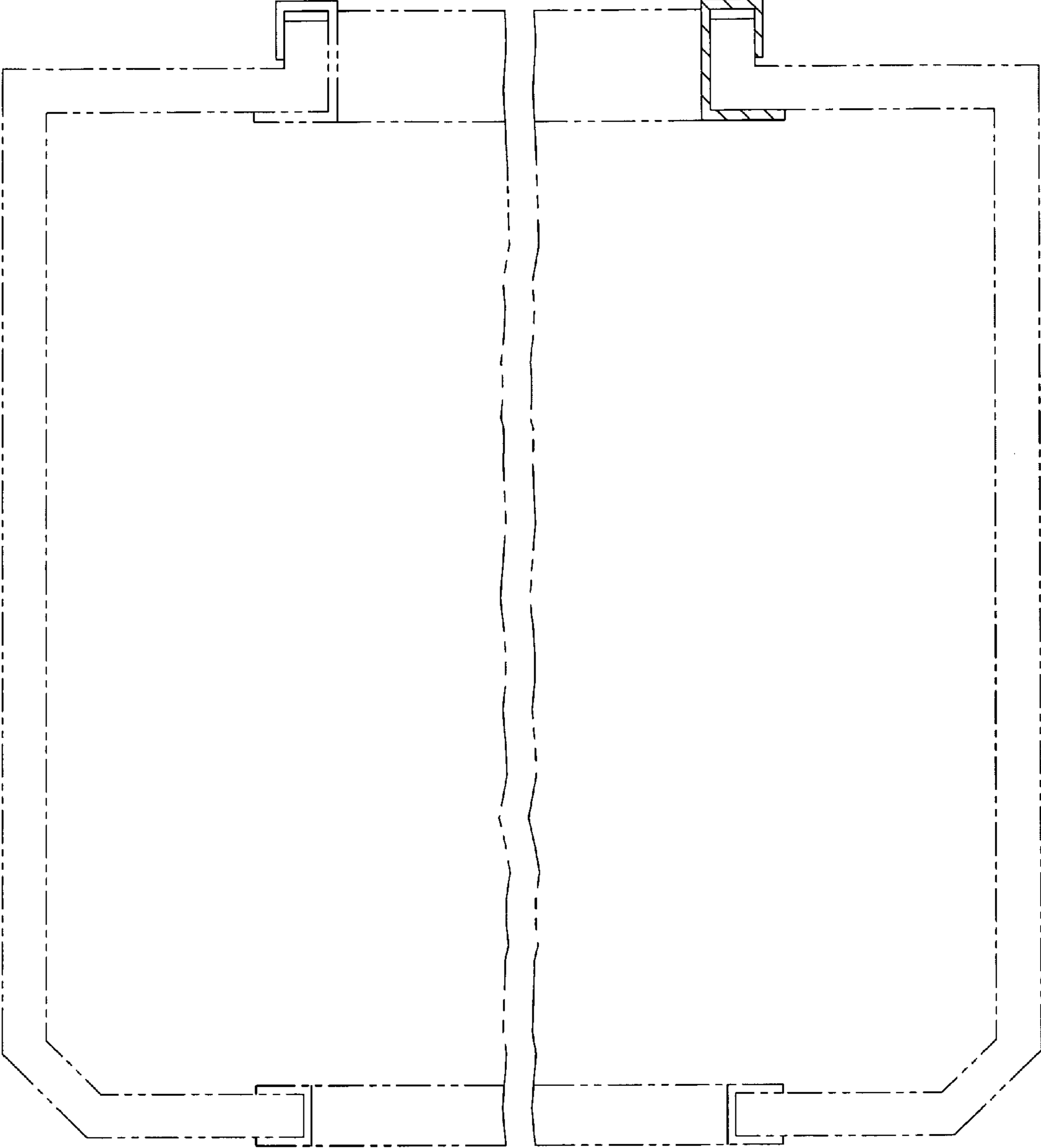


FIG. 9