



US00D577113S

(12) **United States Design Patent**
Tinius

(10) **Patent No.:** **US D577,113 S**
(45) **Date of Patent:** **** Sep. 16, 2008**

(54) **BLOWING MACHINE**

(75) Inventor: **Michael Tinius**, Elchingen (DE)

(73) Assignee: **Andreas Stihl AG & Co. KG**, Alemania (DE)

(**) Term: **14 Years**

(21) Appl. No.: **29/295,497**

(22) Filed: **Sep. 28, 2007**

(30) **Foreign Application Priority Data**

Mar. 29, 2007 (EM) 000699103-0004

(51) **LOC (8) Cl.** **23-04**

(52) **U.S. Cl.** **D23/383**

(58) **Field of Classification Search** D23/383,
D23/370; 415/204, 206, 213.1, 214.1
See application file for complete search history.

(56) **References Cited**

U.S. PATENT DOCUMENTS

4,325,163 A * 4/1982 Mattson et al. D23/383
D532,897 S * 11/2006 Yoshida et al. D23/383
D533,266 S * 12/2006 Yoshida et al. D23/383

* cited by examiner

Primary Examiner—Lisa P Lichtenstein
(74) *Attorney, Agent, or Firm*—McGuireWoods LLP

(57) **CLAIM**

I claim the ornamental design for a blowing machine, as shown and described.

DESCRIPTION

FIG. 1 is a right side view of the ornamental appearance of the blowing machine;

FIG. 2 is a left side view of the blowing machine shown in FIG. 1;

FIG. 3 is a top view of the blowing machine shown in FIG. 1;

FIG. 4 is an enlarged rear view of the blowing machine shown in FIG. 1;

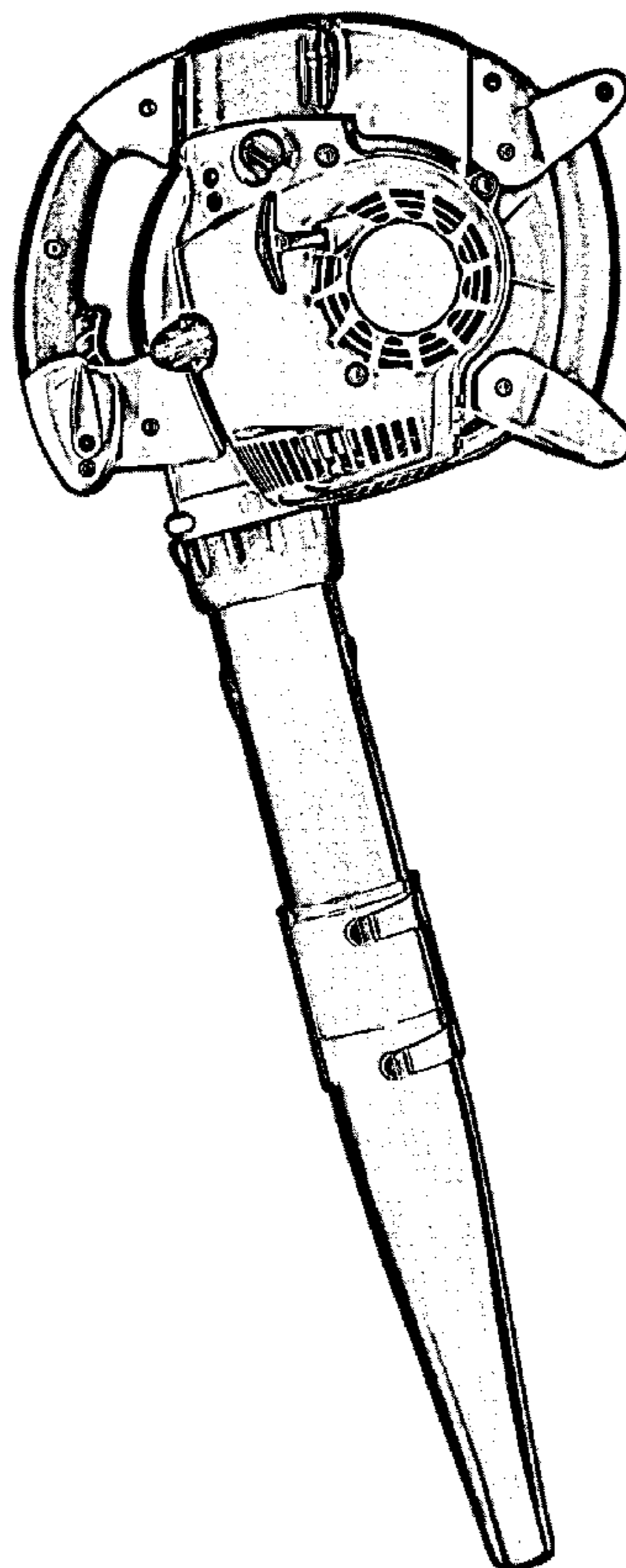
FIG. 5 is a right perspective view of the blowing machine shown in FIG. 1;

FIG. 6 is a left perspective view of the blowing machine shown in FIG. 1; and,

FIG. 7 is a right perspective view of the blowing machine shown in FIG. 1.

Any surfaces of the design not shown, including interior or bottom surfaces, form no part of the claimed invention.

1 Claim, 7 Drawing Sheets



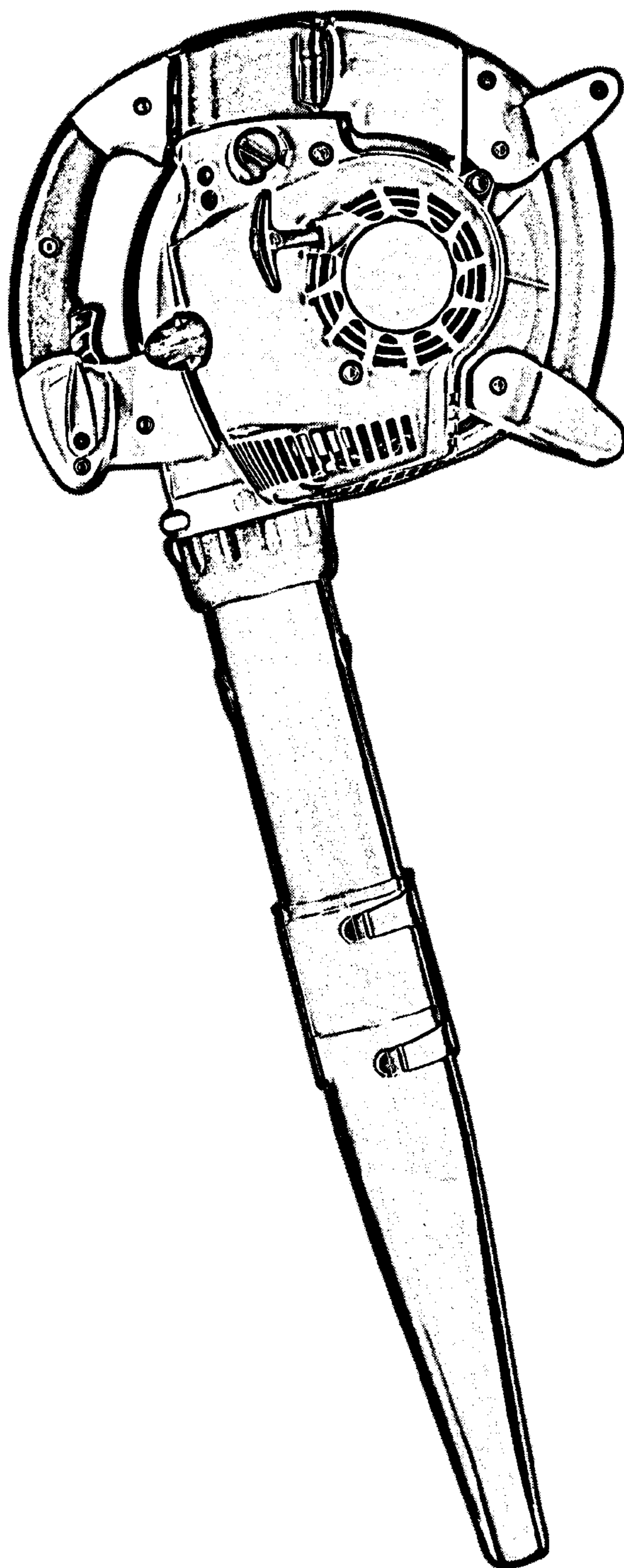


Fig. 1

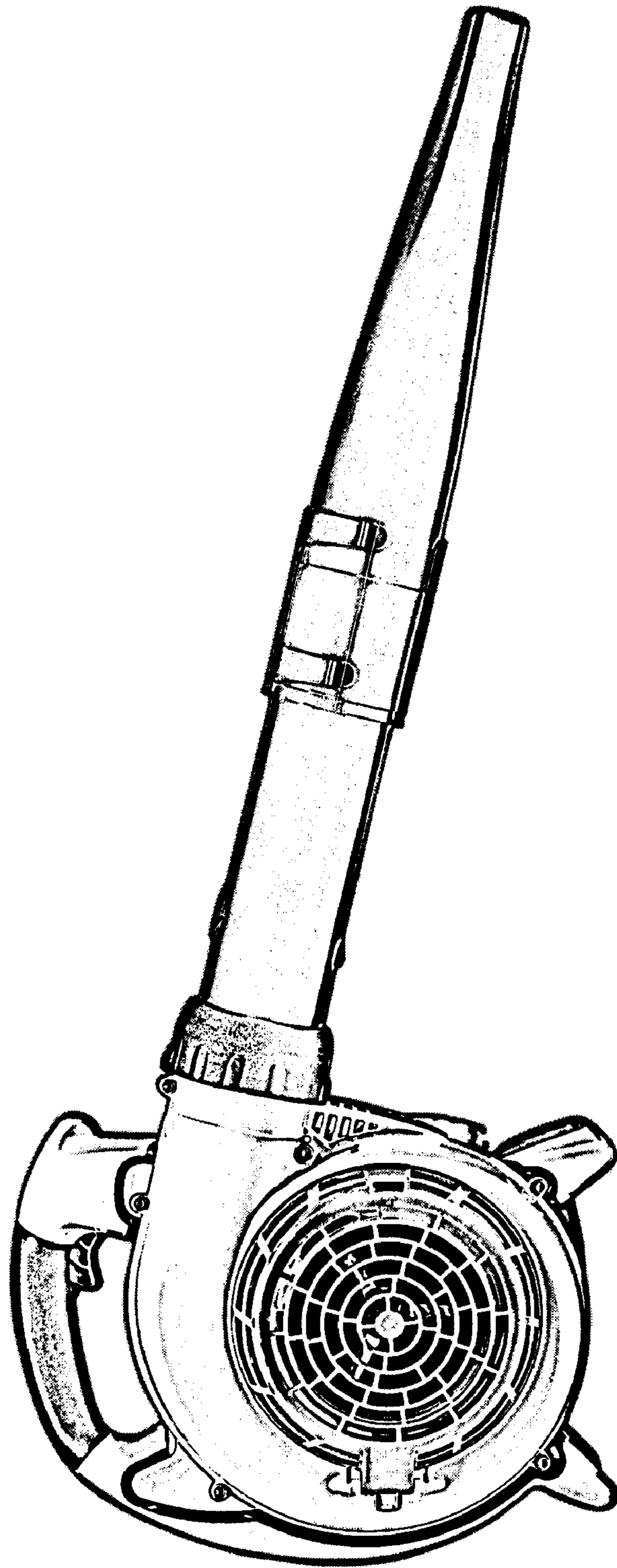


Fig. 2

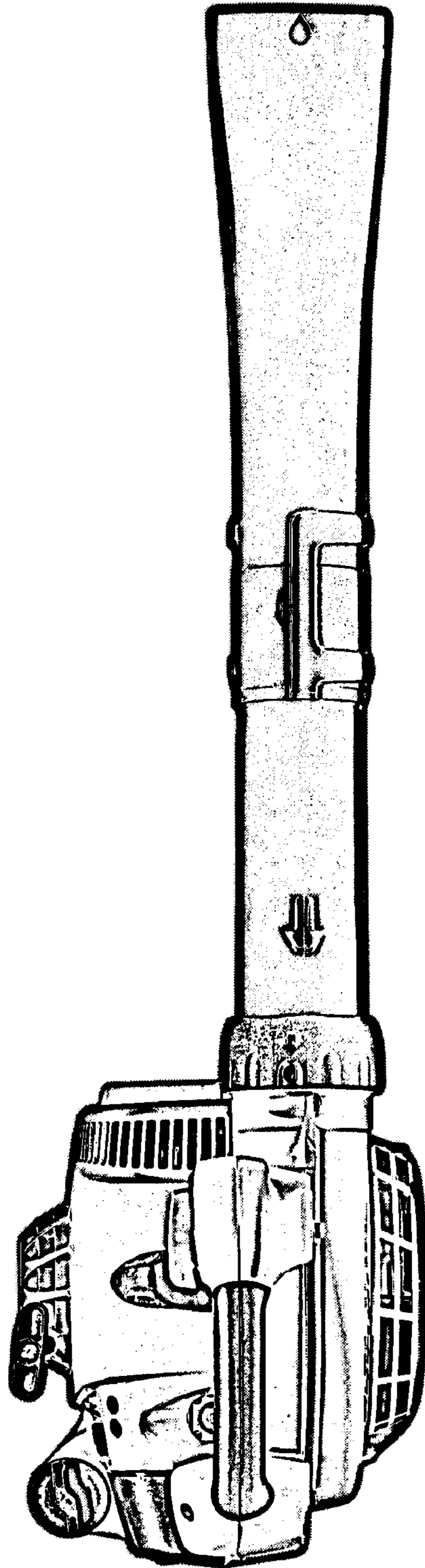


Fig. 3

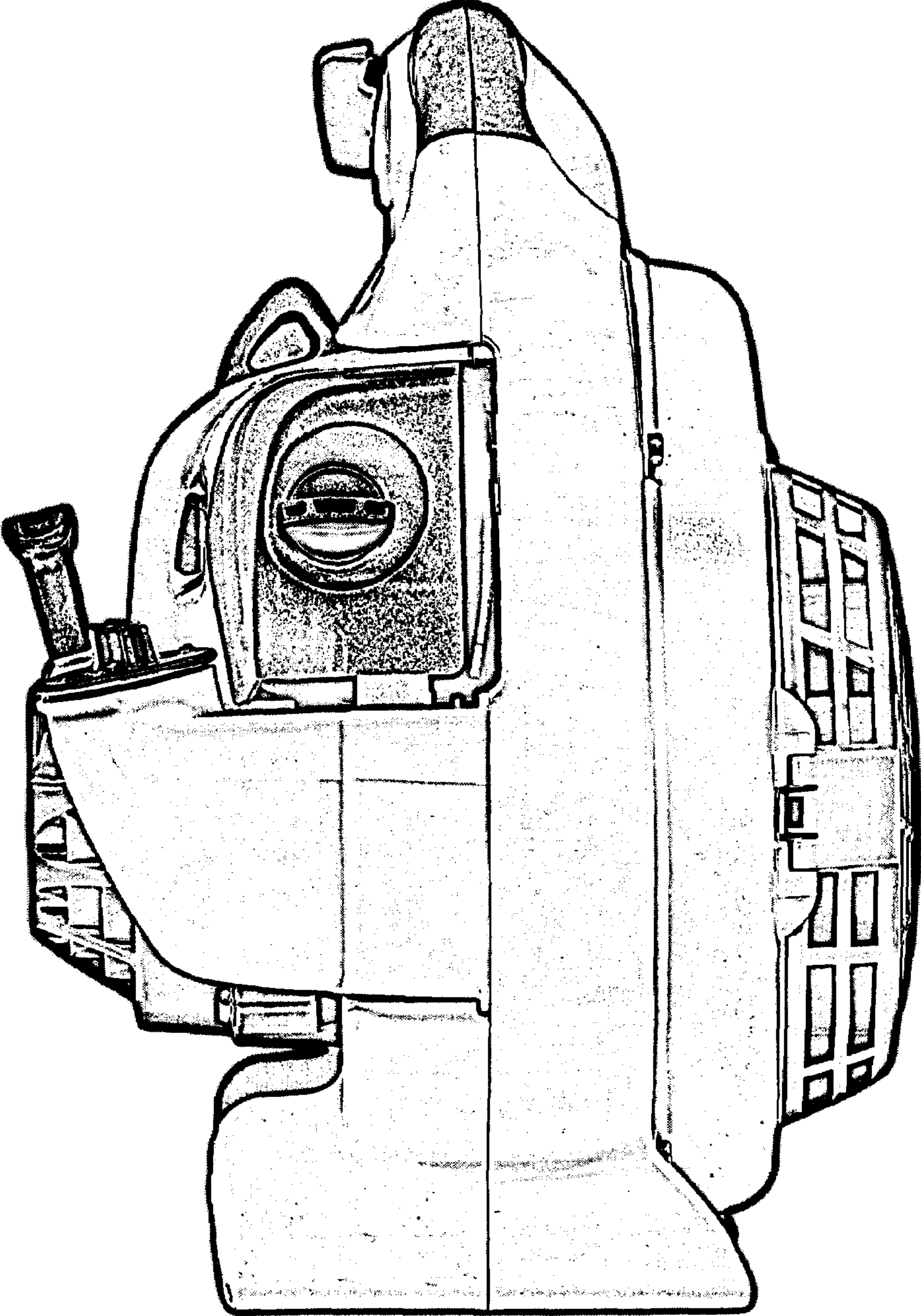


Fig. 4

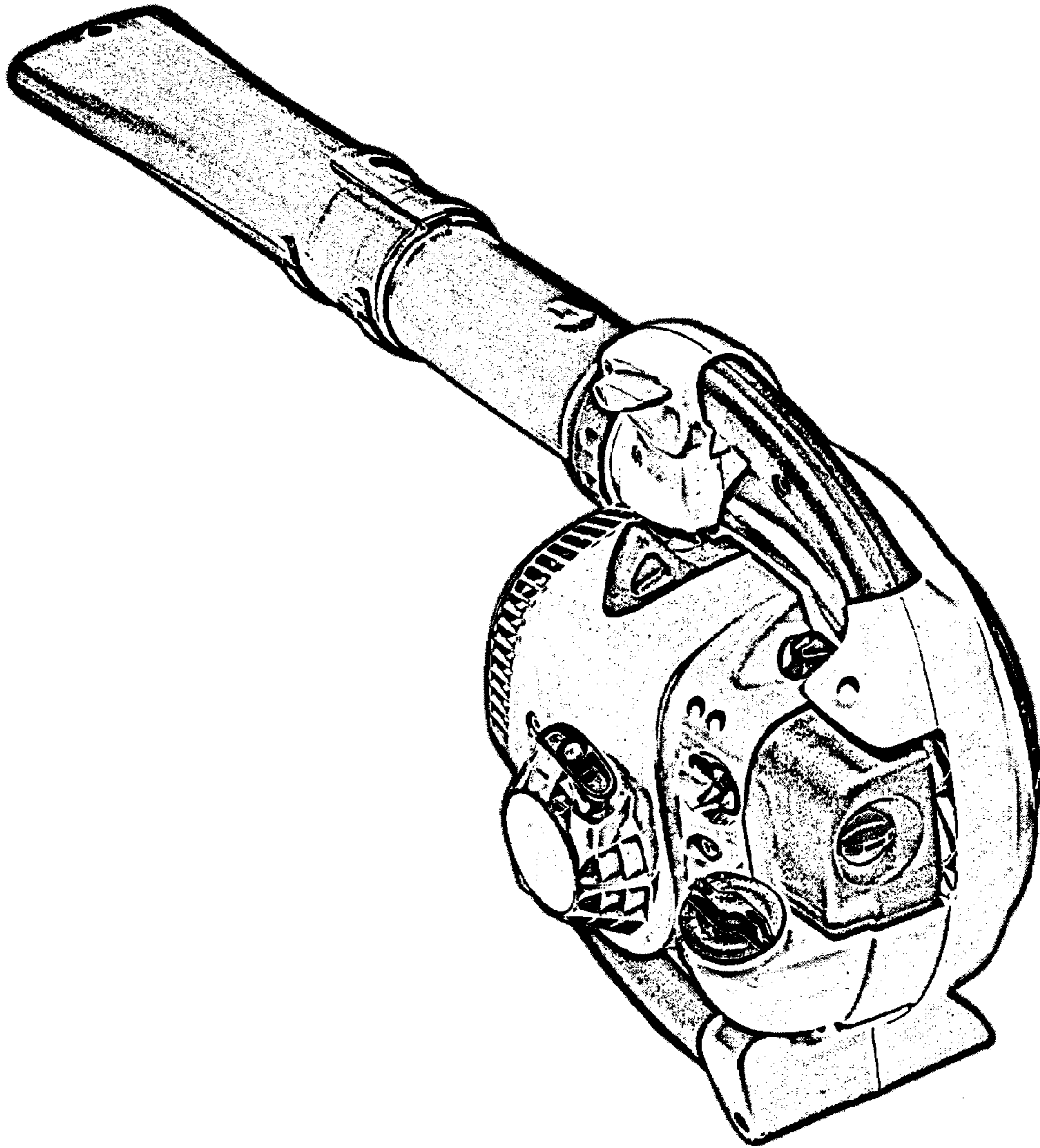


Fig. 5

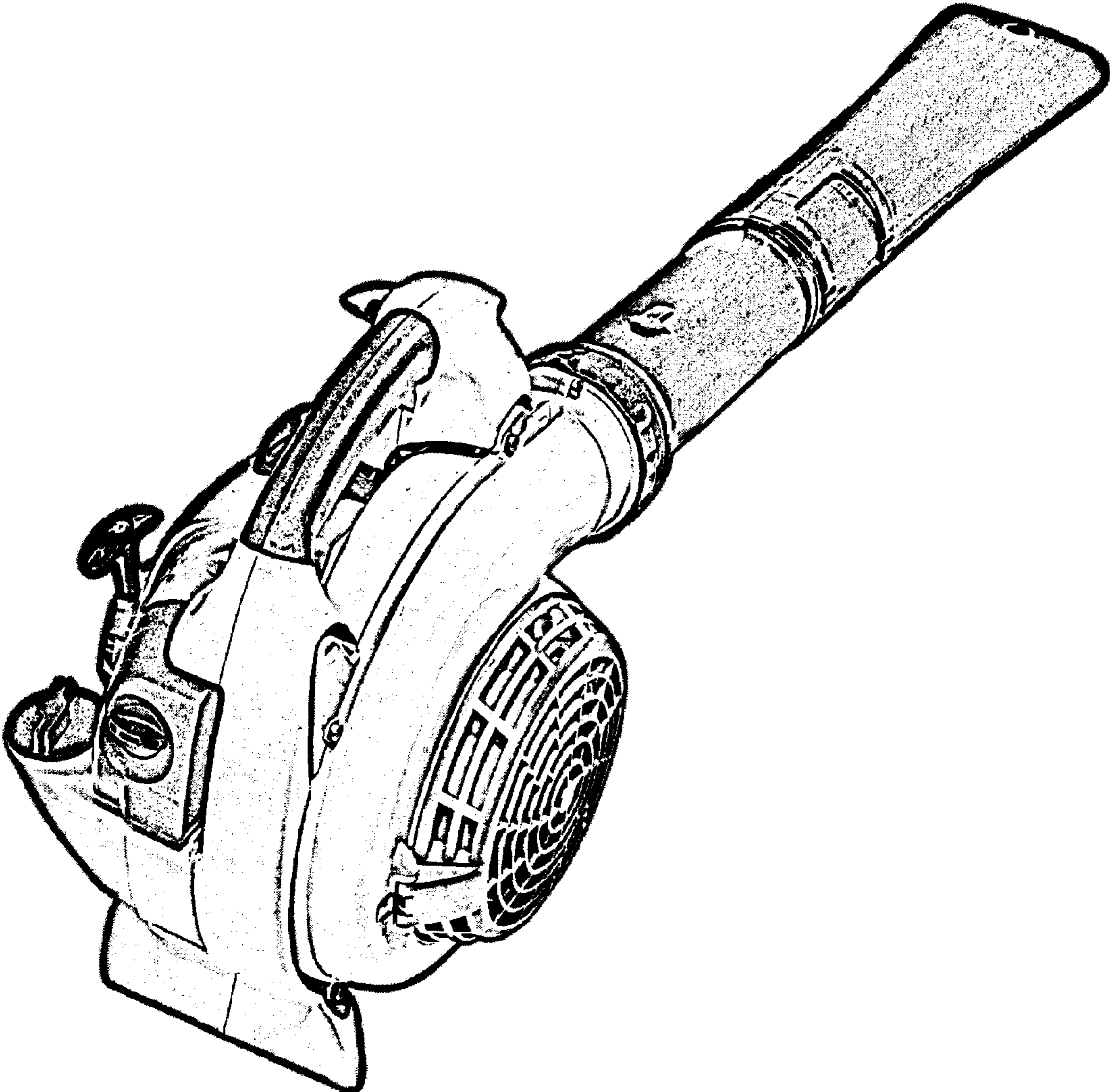


Fig. 6

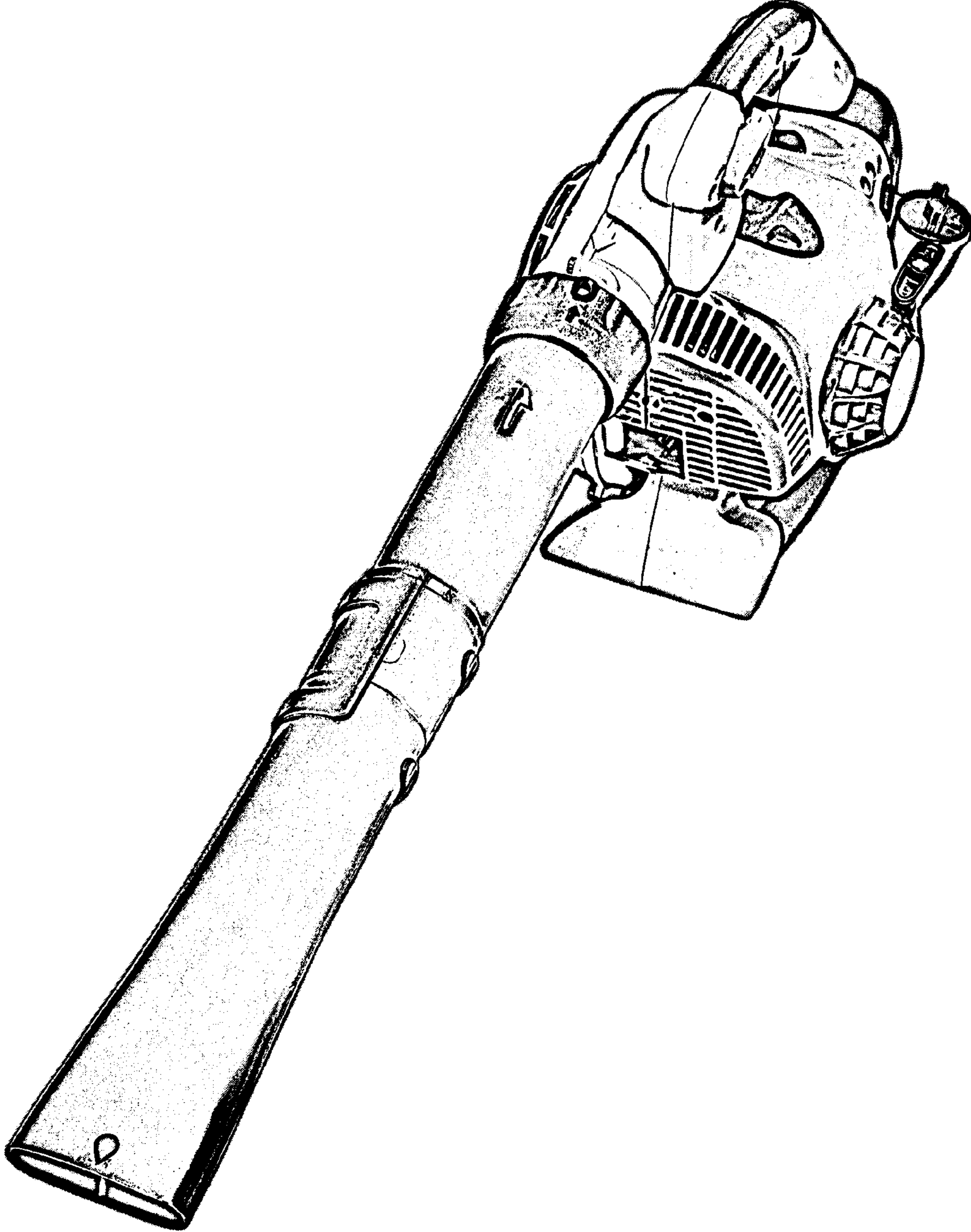


Fig. 7