



US00D577112S

(12) **United States Design Patent**
Hsu

(10) **Patent No.:** **US D577,112 S**

(45) **Date of Patent:** **** Sep. 16, 2008**

(54) **FAN**

(76) Inventor: **Kuei-chih Hsu**, Yongmei Garden 25,
Meihua Fazenda Minzhi Village,
Longhua town, Baoan Shenzhen (CN)

(**) Term: **14 Years**

(21) Appl. No.: **29/250,276**

(22) Filed: **Nov. 8, 2006**

(51) **LOC (8) Cl.** **23-04**

(52) **U.S. Cl.** **D23/380**

(58) **Field of Classification Search** D23/382,
D23/381, 332, 370, 411, 412, 380; 416/246 R,
416/247 R, 244 R

See application file for complete search history.

(56) **References Cited**

U.S. PATENT DOCUMENTS

D352,105 S	*	11/1994	Chen	D23/380
D529,167 S	*	9/2006	Radtke et al.	D23/380
D547,854 S	*	7/2007	Russak et al.	D23/380

* cited by examiner

Primary Examiner—Lisa P Lichtenstein

(74) *Attorney, Agent, or Firm*—Egbert Law Offices

(57) **CLAIM**

I claim the ornamental design for a fan, as shown and described.

DESCRIPTION

FIG. 1 is a front view of the fan showing my design.

FIG. 2 is an enlarged top plan view thereof;

FIG. 3 is an enlarged bottom view thereof;

FIG. 4 is a side elevation view thereof;

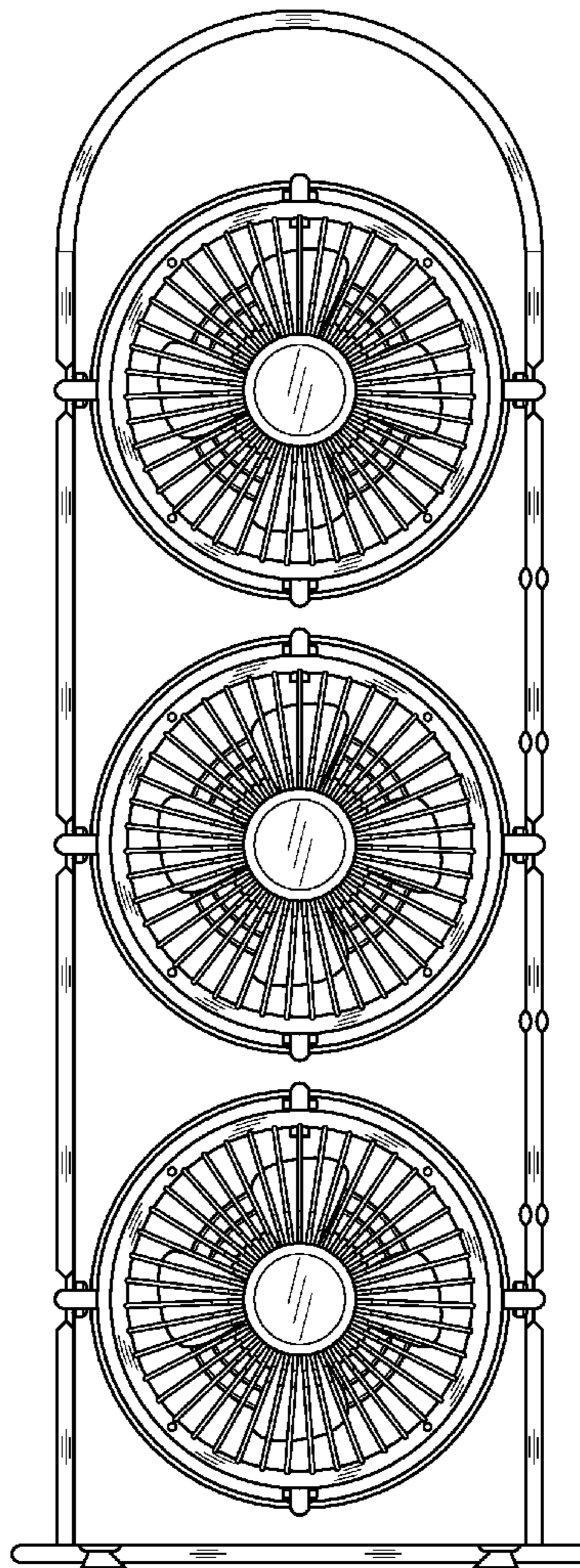
FIG. 5 is a back view view thereof;

FIG. 6 is an opposite side elevation thereof;

FIG. 7 is an upper perspective view thereof; and,

FIGS. 8–11 are slightly enlarged side elevation views showing tilting and rotation positions of the fan elements thereof.

1 Claim, 10 Drawing Sheets



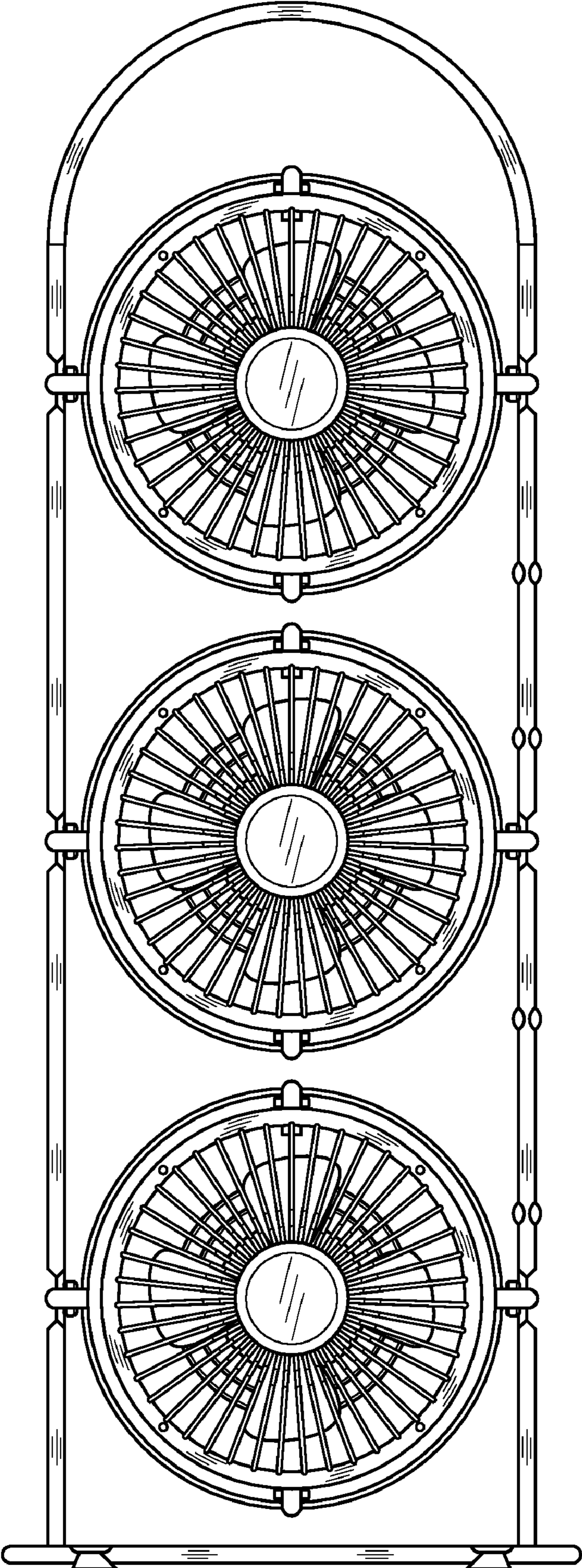


FIG. 1

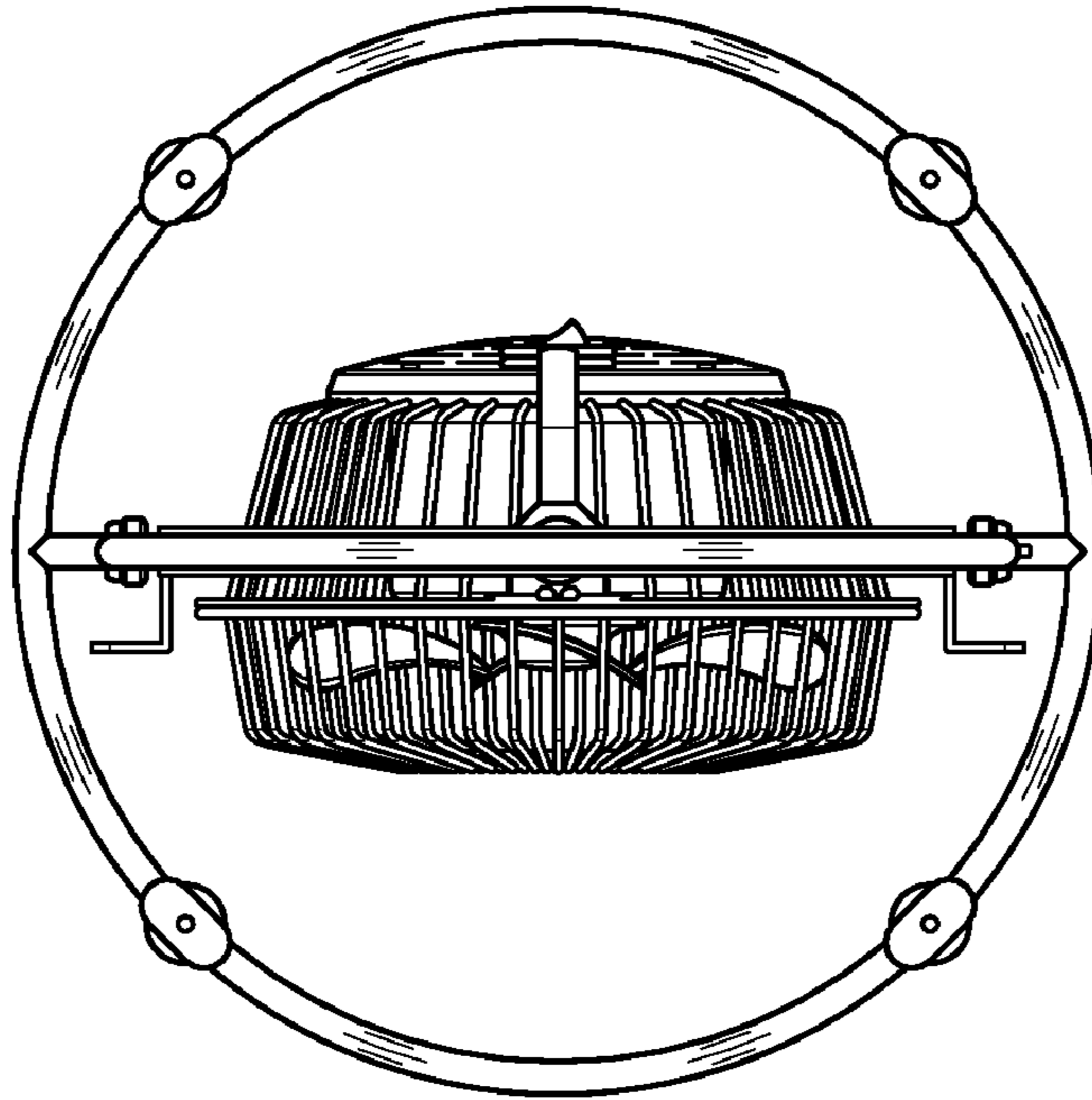


FIG. 2

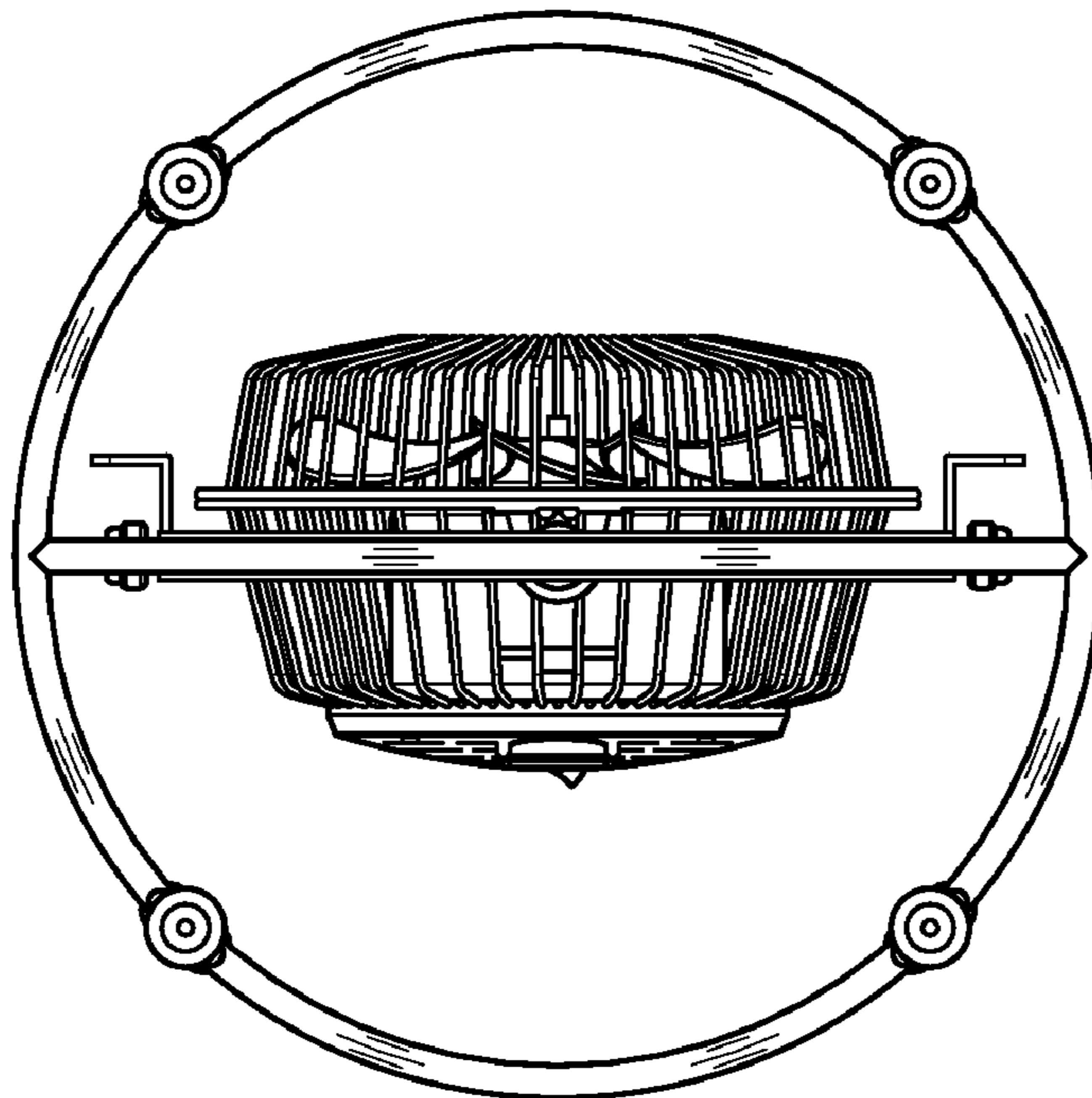


FIG. 3

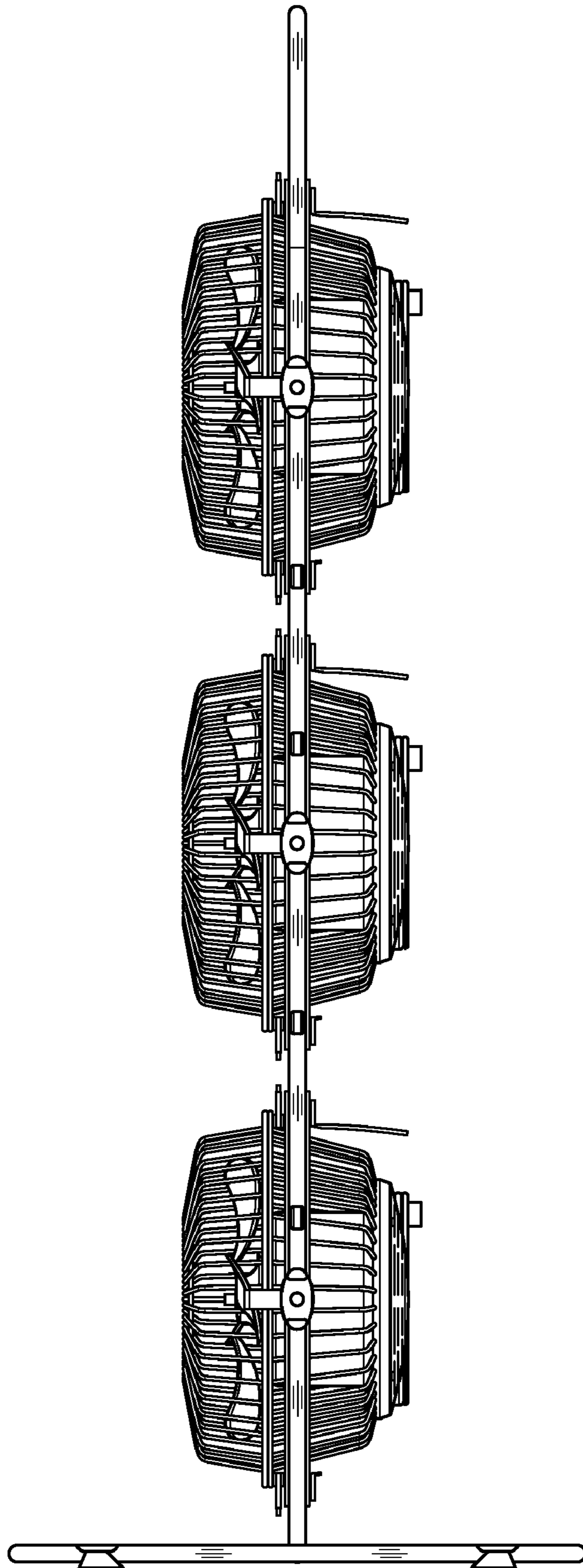


FIG. 4

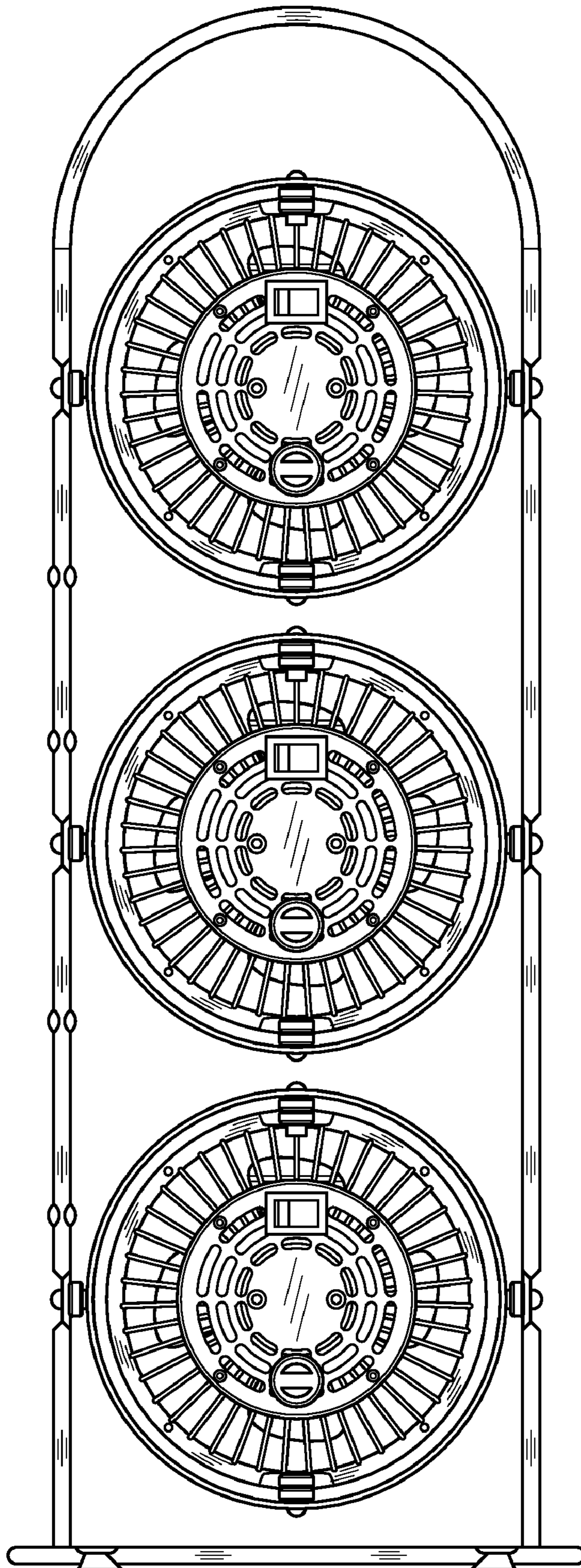


FIG. 5

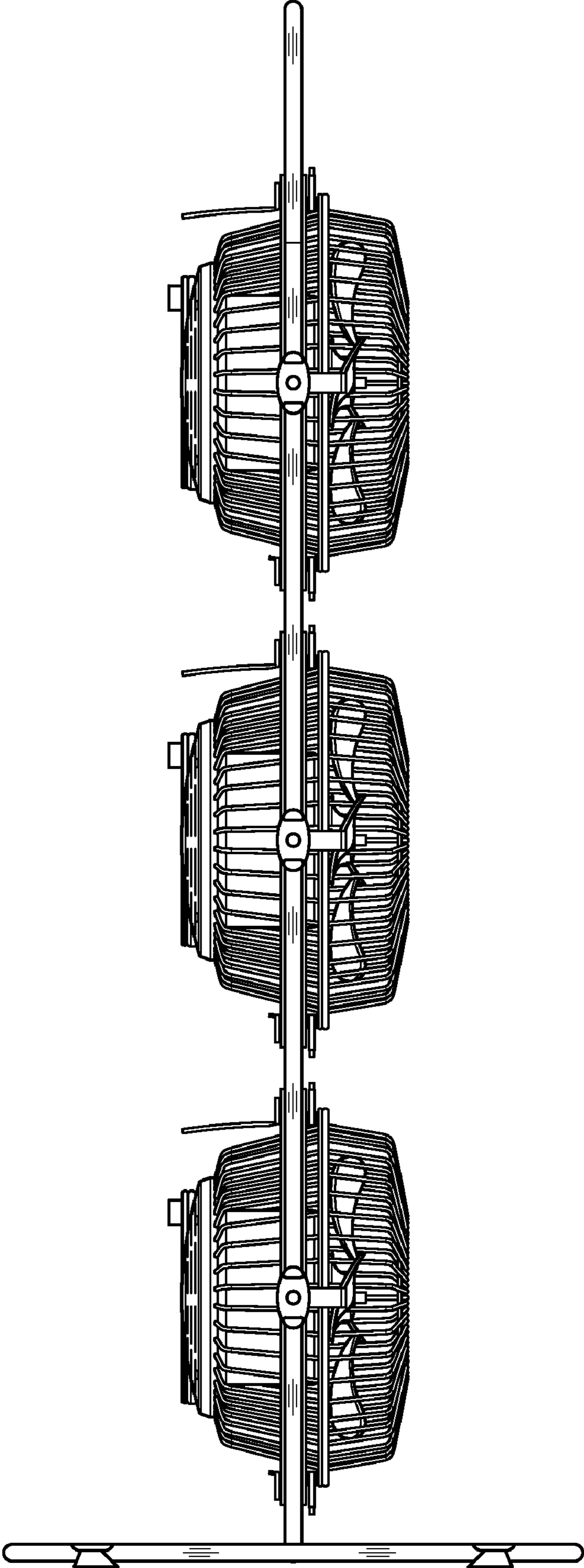


FIG. 6

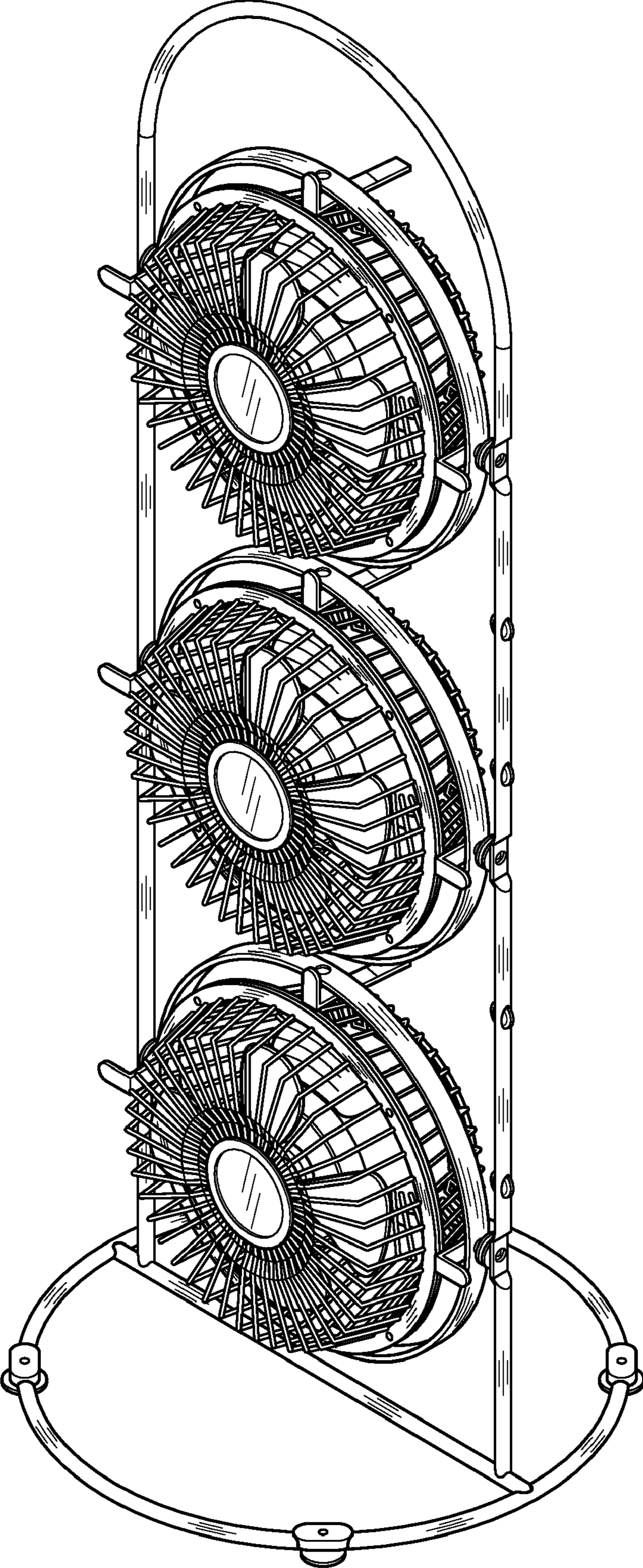


FIG. 7

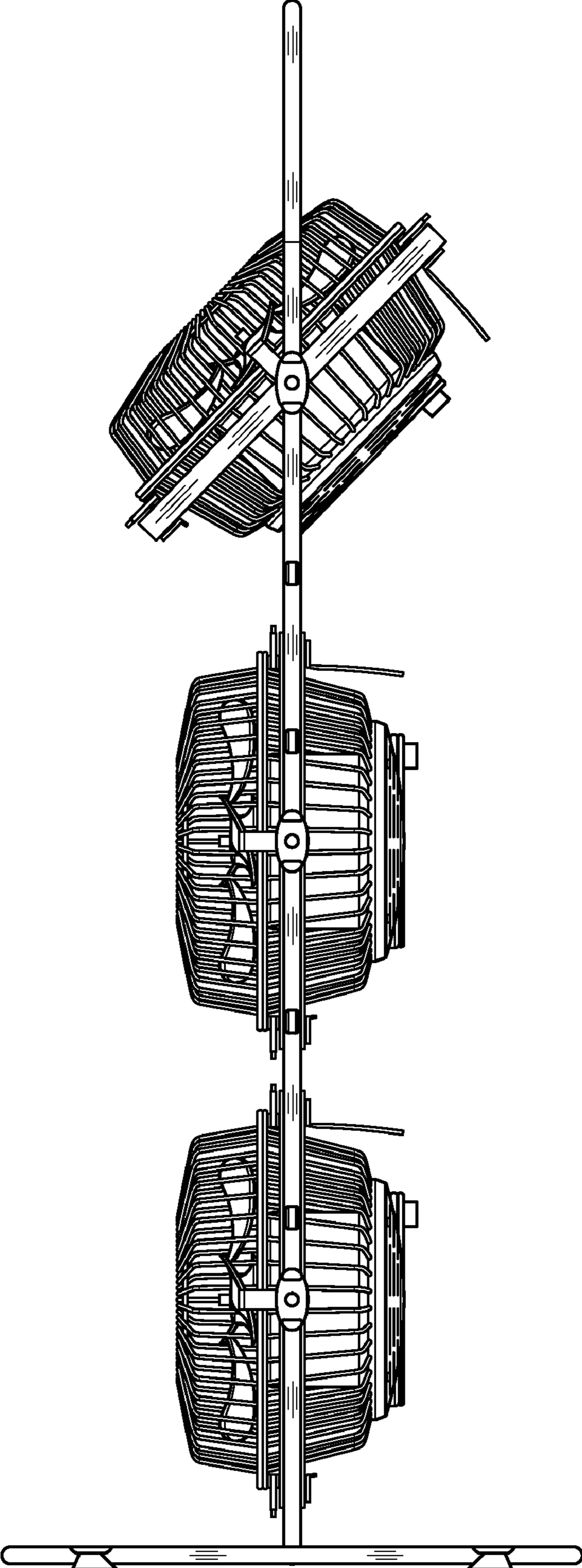


FIG. 8

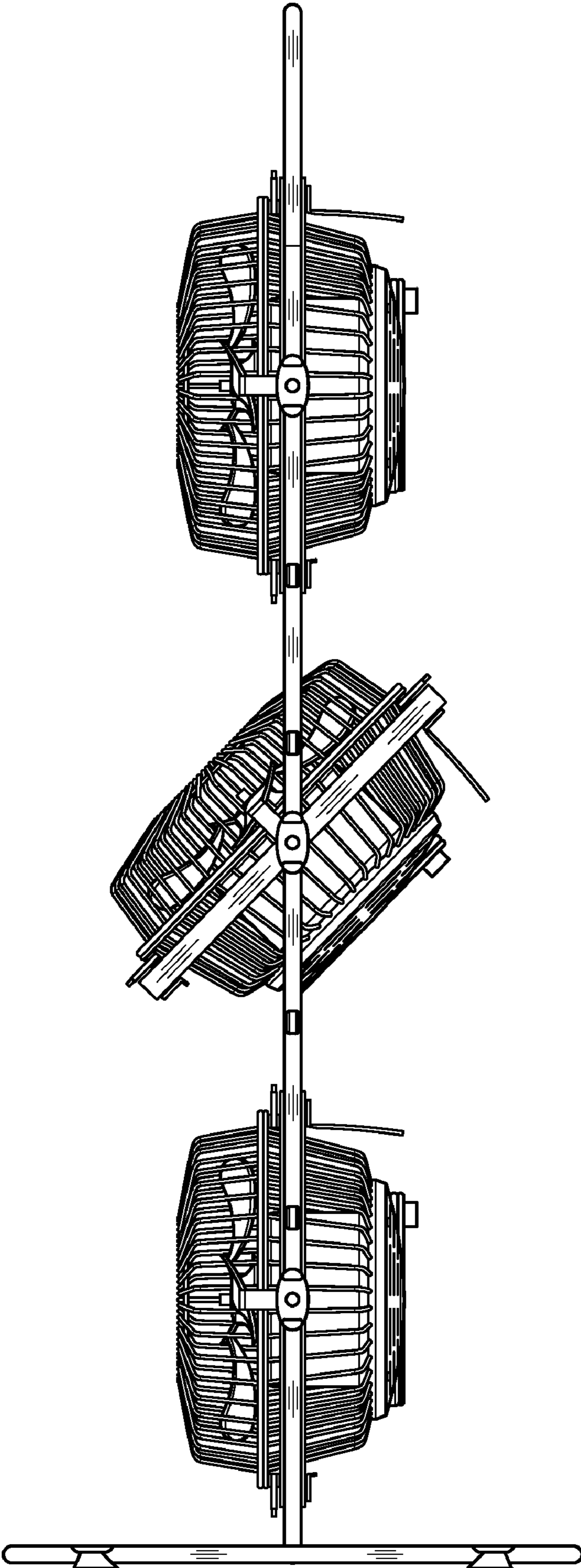


FIG. 9

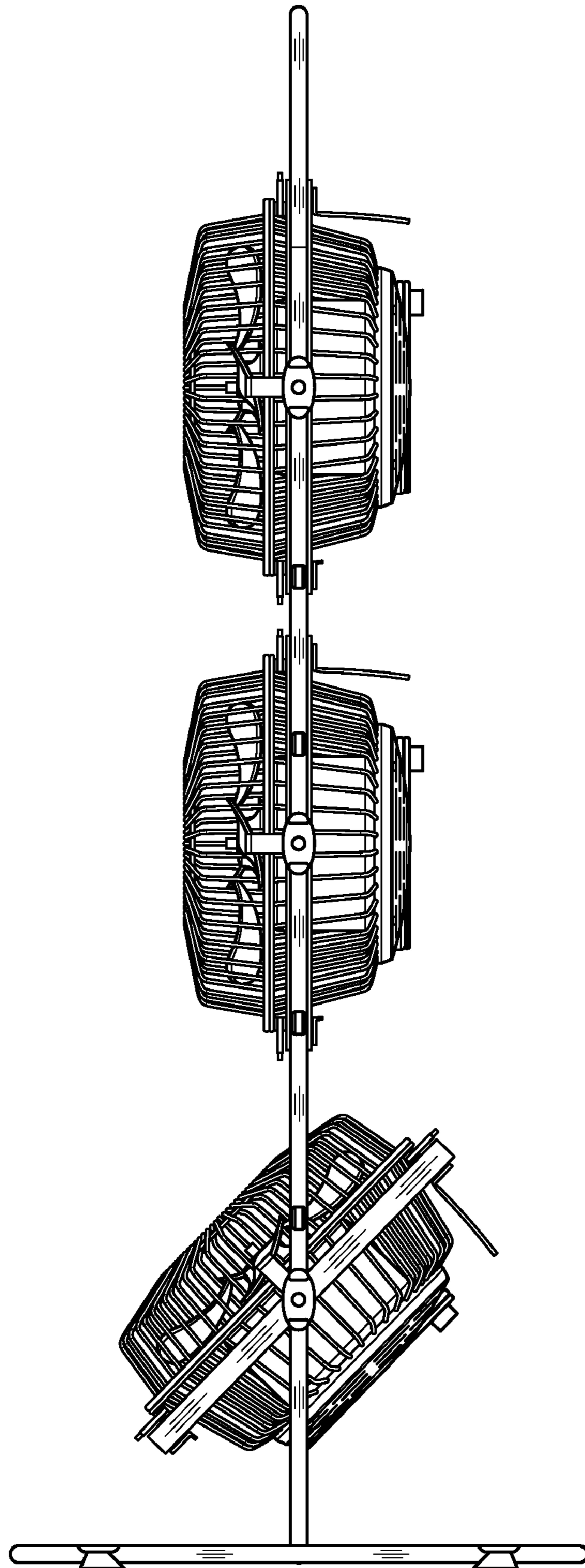


FIG. 10

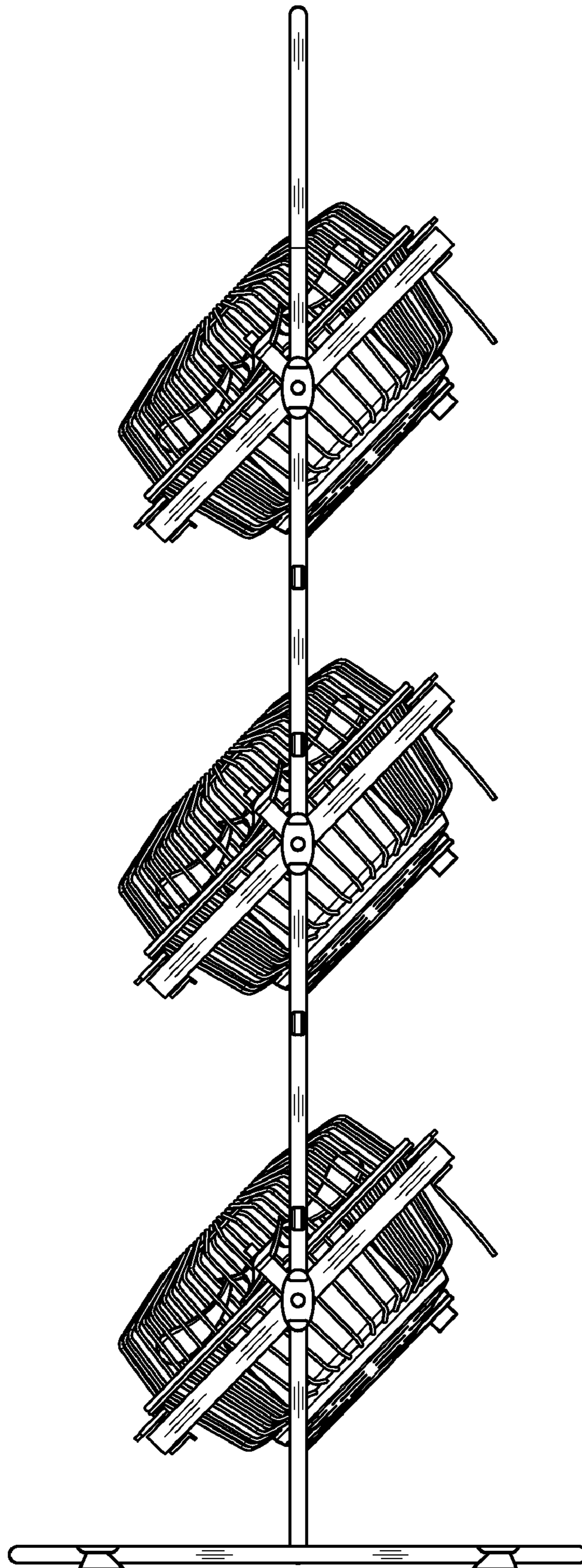


FIG. 11