



US00D577109S

(12) **United States Design Patent**
Smith et al.

(10) **Patent No.:** **US D577,109 S**
(45) **Date of Patent:** **** Sep. 16, 2008**

(54) **ADAPTOR SEAL**

D467,335 S 12/2002 Lithgow
D468,011 S 12/2002 Lithgow et al.

(75) Inventors: **Ian Malcolm Smith**, Westleigh (AU);
Dan Kao, Chatswood (AU); **Perry**
David Lithgow, Glenwood (AU)

(Continued)

FOREIGN PATENT DOCUMENTS

(73) Assignee: **ResMed Limited**, Bella Vista (AU)

EP 0 39 234 A1 11/1989
GB 2 116 434 9/1983
WO WO 2004/112873 A1 12/2004
WO WO 2007/019627 2/2007

(**) Term: **14 Years**

(21) Appl. No.: **29/257,448**

(22) Filed: **Apr. 5, 2006**

(51) **LOC (8) Cl.** **23-04**

(52) **U.S. Cl.** **D23/358**

(58) **Field of Classification Search** D23/358,
D23/365; D24/110; 55/502; 128/207.14,
128/206.24, 200.13; 137/318; 285/197
See application file for complete search history.

(56) **References Cited**

U.S. PATENT DOCUMENTS

2,999,562 A	9/1961	Lechtenberg	
D191,806 S	11/1961	Lechtenberg	
3,388,705 A	6/1968	Grosshandler	
3,796,027 A	3/1974	Gumtow	
3,959,891 A	6/1976	Burkall	
3,982,532 A *	9/1976	Halldin et al.	128/206.24
4,537,214 A *	8/1985	Cowan	137/318
4,552,574 A	11/1985	Hotta	
5,174,534 A *	12/1992	Mitchell	248/311.2
D345,010 S	3/1994	Aronsson et al.	
5,292,432 A	3/1994	Janiek et al.	
5,349,946 A	9/1994	McComb	
D356,863 S	3/1995	Skaarstad	
5,617,849 A *	4/1997	Springett et al.	128/206.24
5,640,937 A	6/1997	Slopsema	
5,649,986 A	7/1997	Mueller	
5,673,687 A	10/1997	Dobson et al.	
D403,417 S	12/1998	Rakocy	
D416,319 S	11/1999	Rollins	
D421,298 S	2/2000	Kenyon	
D427,675 S	7/2000	Hansel	

OTHER PUBLICATIONS

Lithgow et al., U.S. Appl. No. 29/290,517, filed Dec. 12, 2007.
Jeha et al., U.S. Appl. No. 10/533,940, filed May 2005.
Lithgow et al., U.S. Appl. No. 29/274,233, filed Apr. 6, 2007.
Virr et al., U.S. Appl. No. 29/287,119, filed Jun. 29, 2007.
Fisher & Paykel Healthcare, "SleepStyle™ 2000 CPAP Series"
Specification Sheets, 4 pages, Published Prior to Jun. 2005.
Smith et al., U.S. Appl. No. 11/988,720, filed Jan. 14, 2008.

Primary Examiner—Holly H Baynham

(74) *Attorney, Agent, or Firm*—Nixon & Vanderhye P.C.

(57) **CLAIM**

The ornamental design for an adaptor seal, as shown and described.

DESCRIPTION

FIG. 1 is a front perspective view of an adaptor seal for a humidifier/respiratory apparatus according to our design;

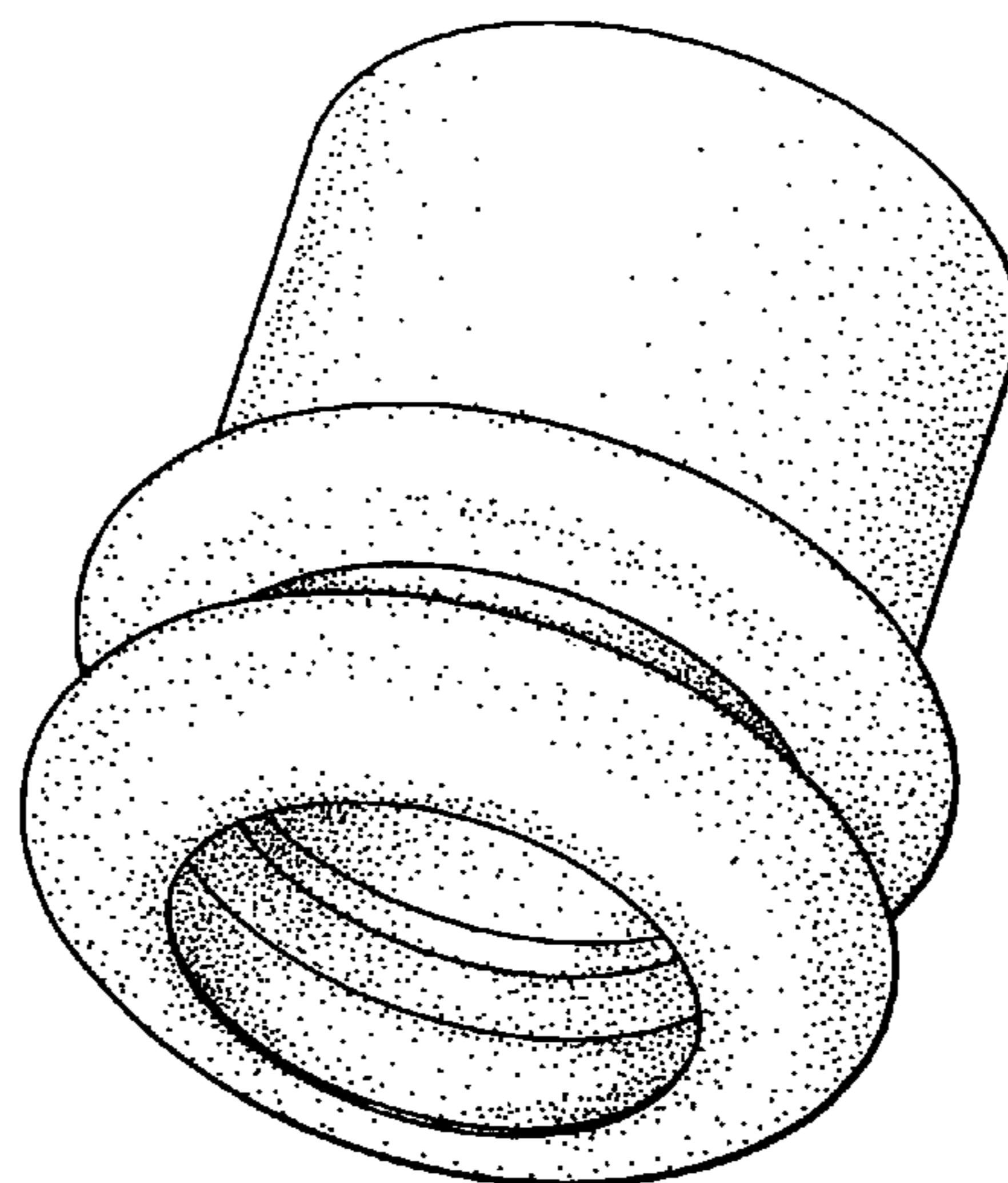
FIG. 2 is a front view thereof;

FIG. 3 is a rear view thereof; and,

FIG. 4 is a left side view thereof, with the right side view thereof being a mirror image thereof.

The top and bottom views are not shown because they are similar to FIG. 4, the only difference is that the top and bottom views would be rotated 90° clockwise and 90° counterclockwise, respectively, compared to FIG. 4.

1 Claim, 2 Drawing Sheets



US D577,109 S

Page 2

U.S. PATENT DOCUMENTS

D474,266 S	5/2003	Rotter et al.	D503,796 S	4/2005	Lithgow et al.	
D476,077 S	6/2003	Lithgow	7,025,799 B2	4/2006	Peterson	
D487,311 S	3/2004	Lithgow et al.	7,036,509 B2 *	5/2006	Rapacki et al. 128/207.14
6,752,846 B2	6/2004	Rotter et al.	D550,349 S	9/2007	Lithgow et al.	
D493,520 S	7/2004	Bertinetti et al.	D553,228 S	10/2007	Virr et al.	
D493,884 S	8/2004	Virr et al.	2004/0065335 A1	4/2004	Huber et al.	
6,811,546 B1	11/2004	Callas et al.	2005/0183406 A1	8/2005	Coburn	

* cited by examiner

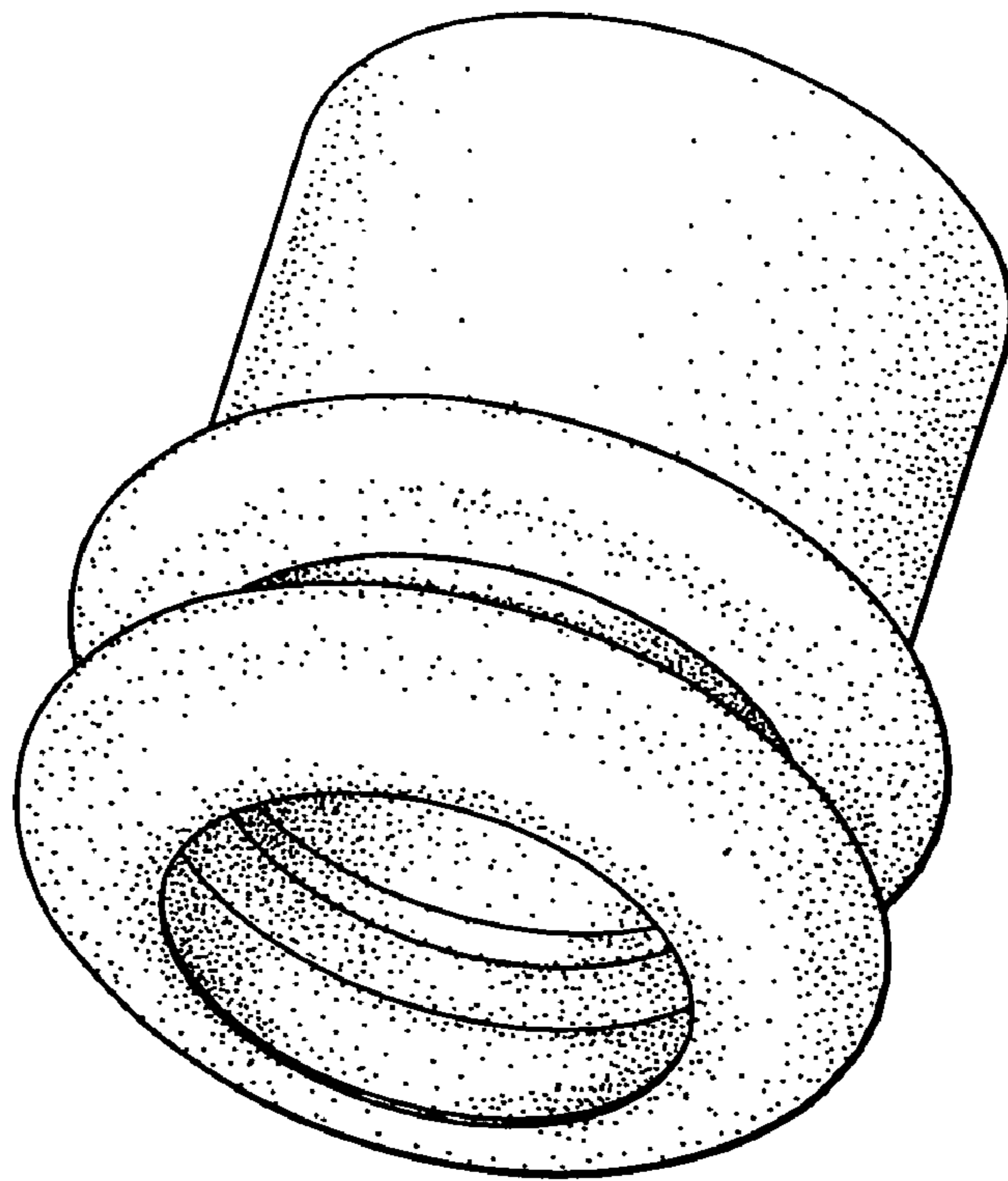


Fig. 1

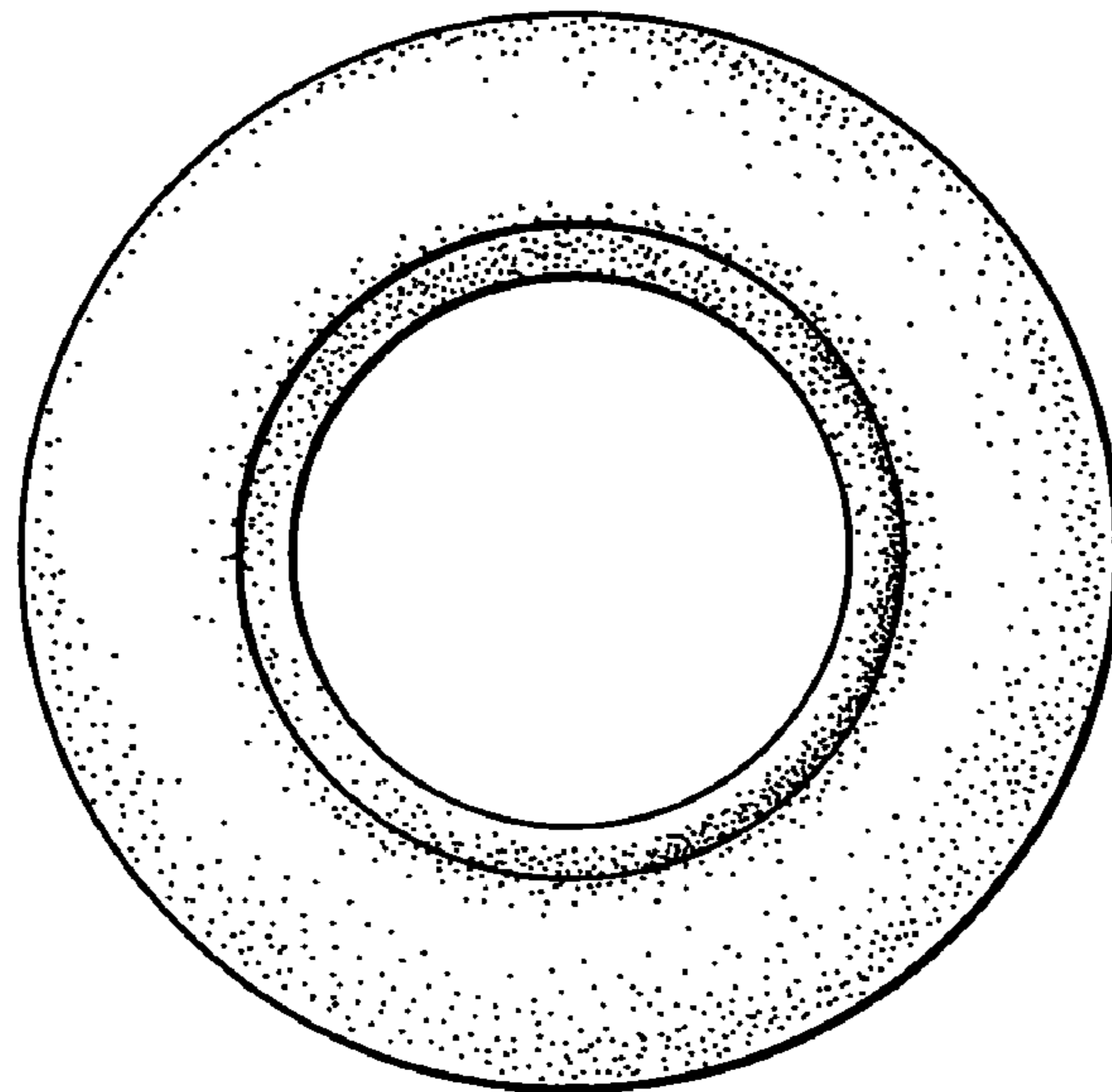


Fig. 2

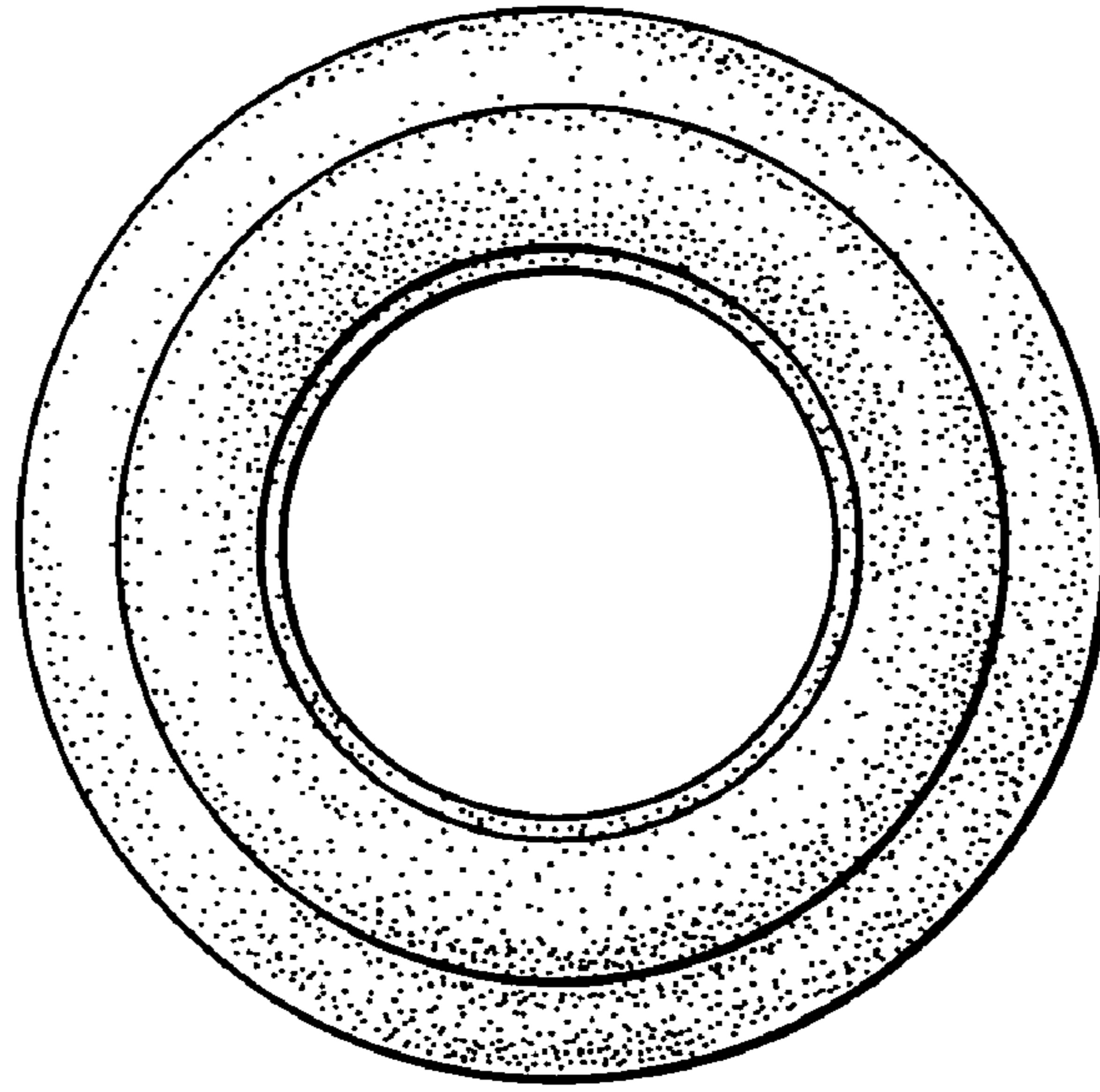


Fig. 3

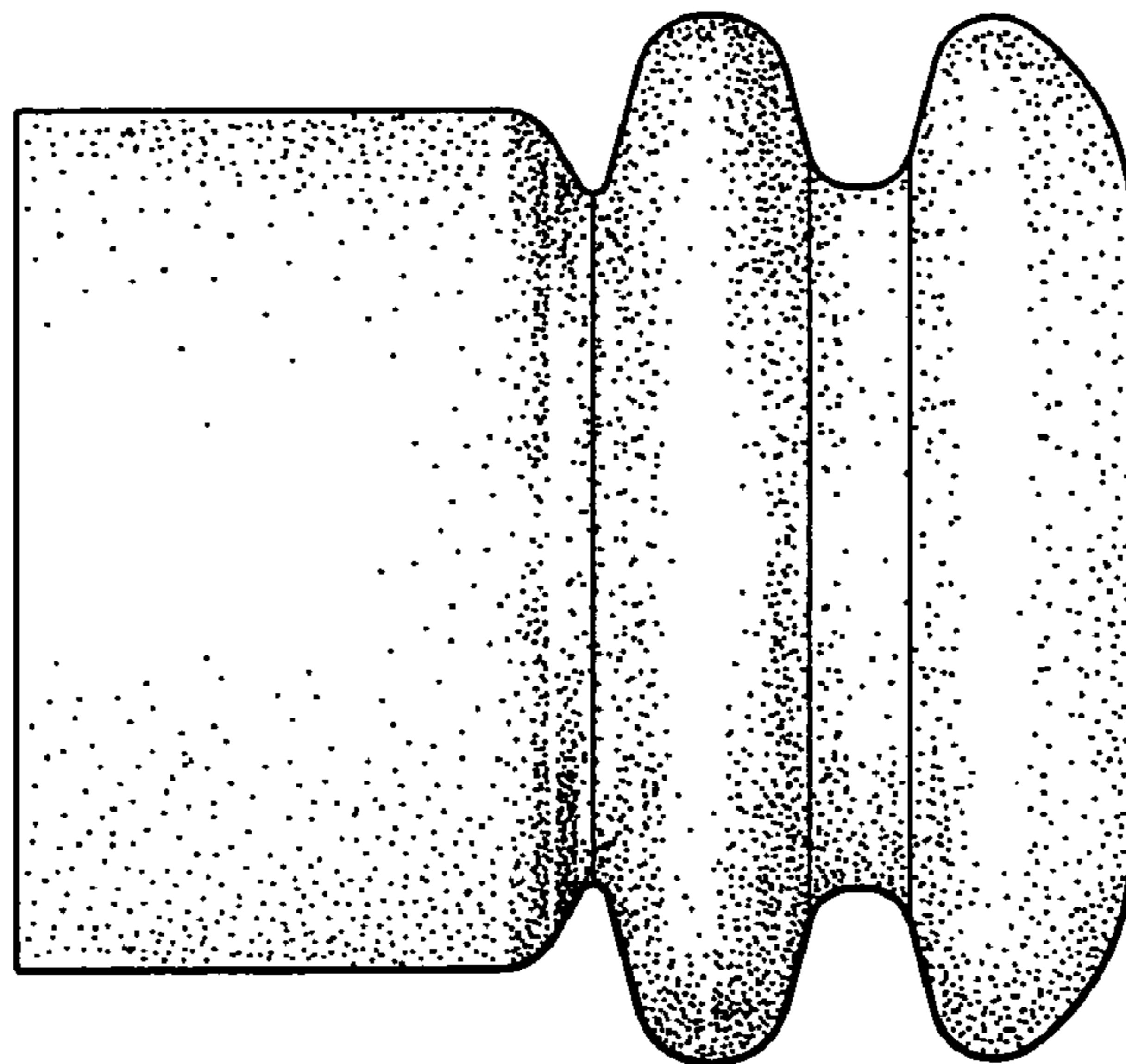


Fig. 4