



US00D577108S

(12) **United States Design Patent**
Piatt

(10) **Patent No.:** **US D577,108 S**

(45) **Date of Patent:** **** Sep. 16, 2008**

(54) **TUB FOR BATHING**

(75) Inventor: **James M. Piatt**, Glendale, CA (US)

(73) Assignee: **Kohler Co.**, Kohler, WI (US)

(**) Term: **14 Years**

(21) Appl. No.: **29/258,200**

(22) Filed: **Apr. 18, 2006**

(51) **LOC (8) Cl.** **23-02**

(52) **U.S. Cl.** **D23/277**

(58) **Field of Classification Search** D23/275-277,
D23/304; 4/538, 571.1, 573.1, 589; D24/204-205
See application file for complete search history.

(56) **References Cited**

U.S. PATENT DOCUMENTS

D446,574 S	8/2001	Thomas et al.	
D456,881 S *	5/2002	Thomas et al.	D23/277
D539,393 S *	3/2007	Hashida	D23/277
D541,389 S *	4/2007	DeBoer et al.	D23/277

OTHER PUBLICATIONS

Caldera Spas. "Ponderosa". Caldera Spas Catalog, copyright 1986.

* cited by examiner

Primary Examiner—Robert A Delehanty

(74) *Attorney, Agent, or Firm*—Quarles & Brady LLP

(57) **CLAIM**

The ornamental design for a tub for bathing, as shown and described.

DESCRIPTION

In a preferred embodiment, the nature of this product is as a plumbing fixture in the form of a bathing tub primary useful for washing the human body.

FIG. 1 is a right, top, front perspective view of a tub for bathing embodying my new design;

FIG. 2 is a top plan view thereof;

FIG. 3 is a front elevational view thereof;

FIG. 4 is a right side elevational view thereof;

FIG. 5 is a left side elevational view thereof;

FIG. 6 is a rear elevational view thereof; and,

FIG. 7 is a bottom plan view thereof.

The broken line representations of a water jet structure in FIGS. 1-3 and 6-7, a drain in FIGS. 2-7, an overflow/control and recessed wall structure in FIGS. 1-3 and 7, and an opening in FIGS. 2, 4 and 6-7 are for the purpose of illustration only, and form no part of the claimed design.

1 Claim, 5 Drawing Sheets

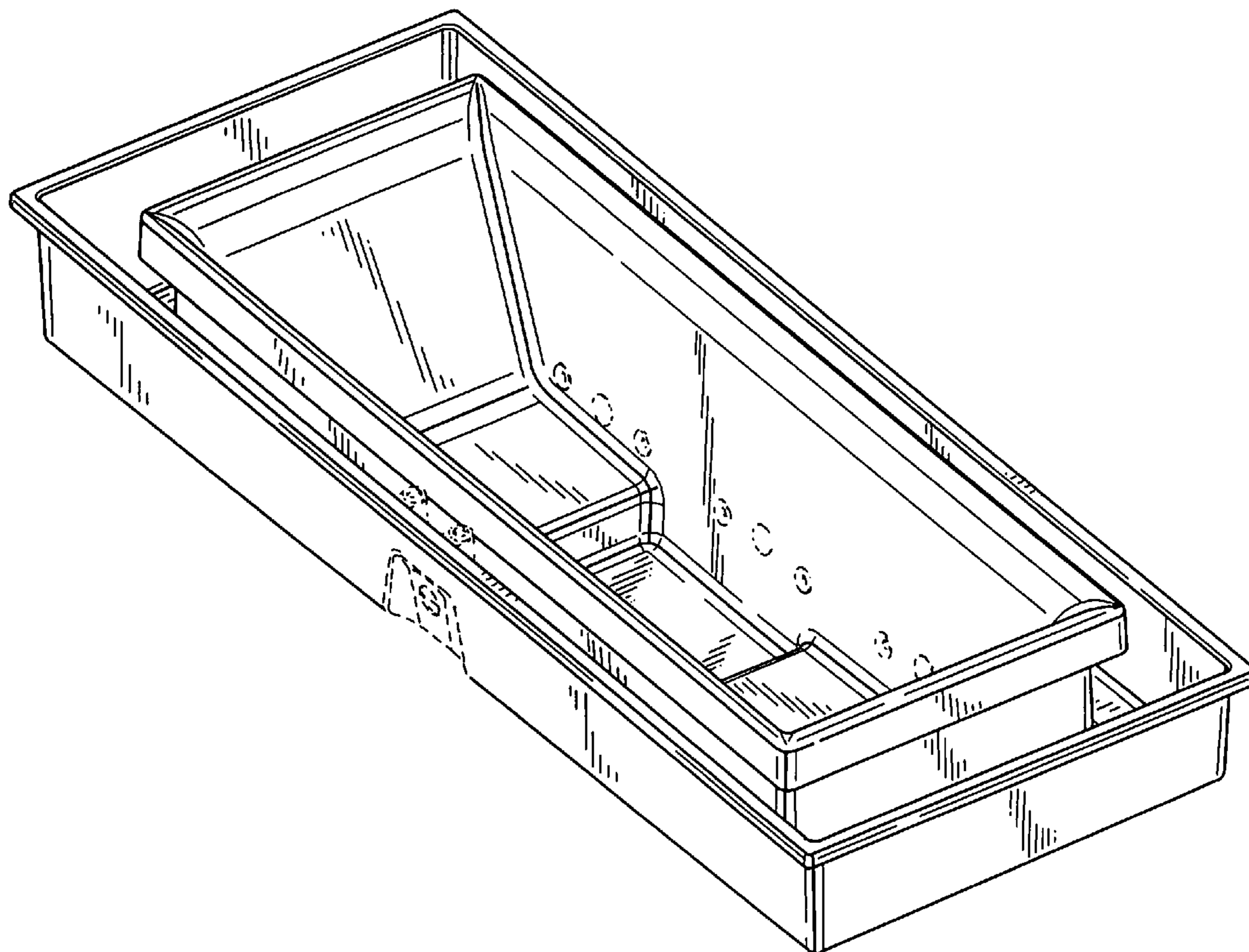
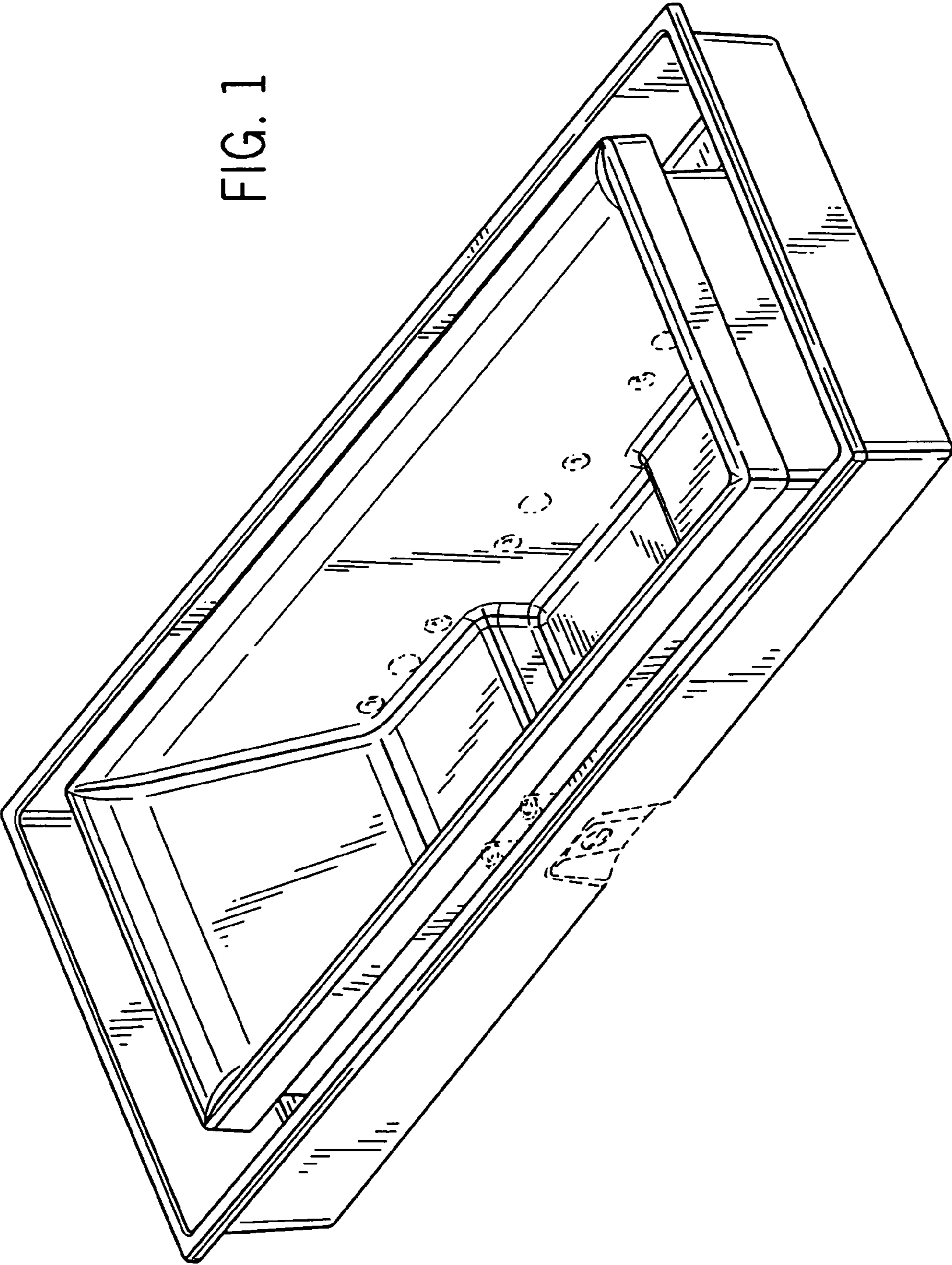


FIG. 1



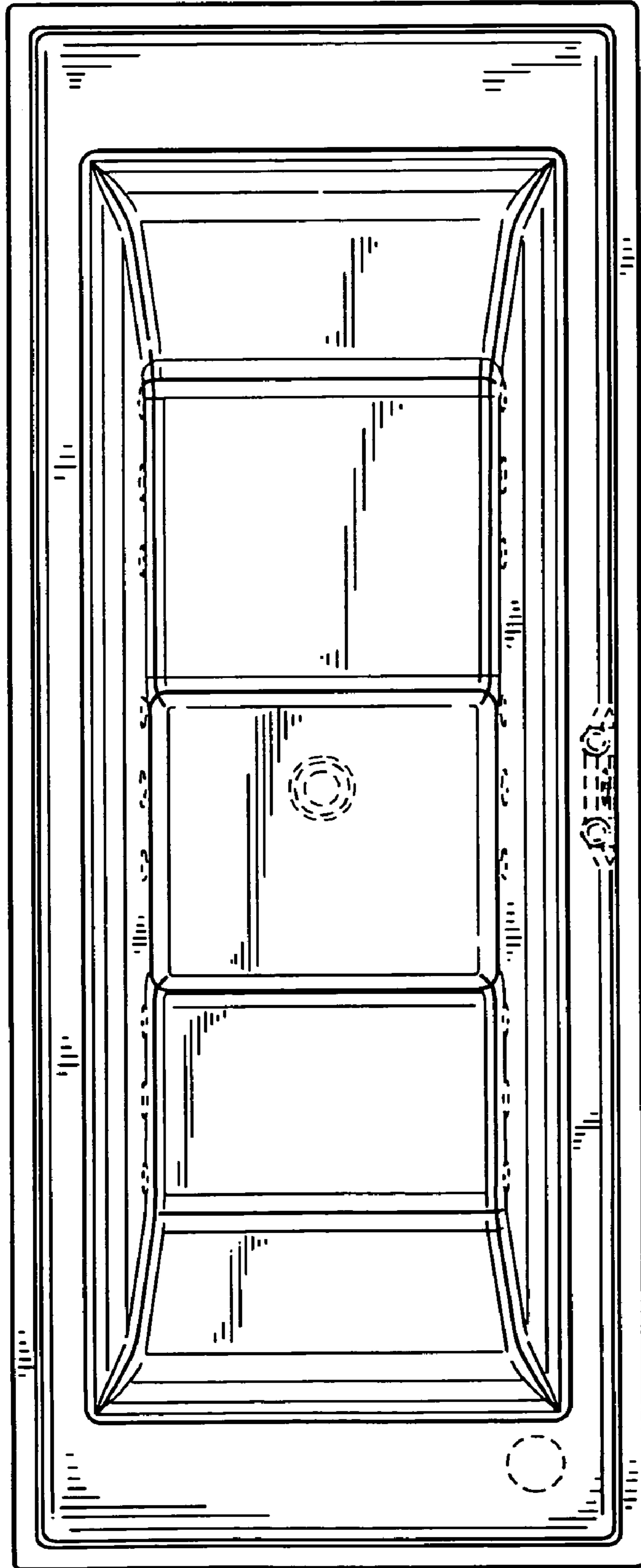


FIG. 2

FIG. 3

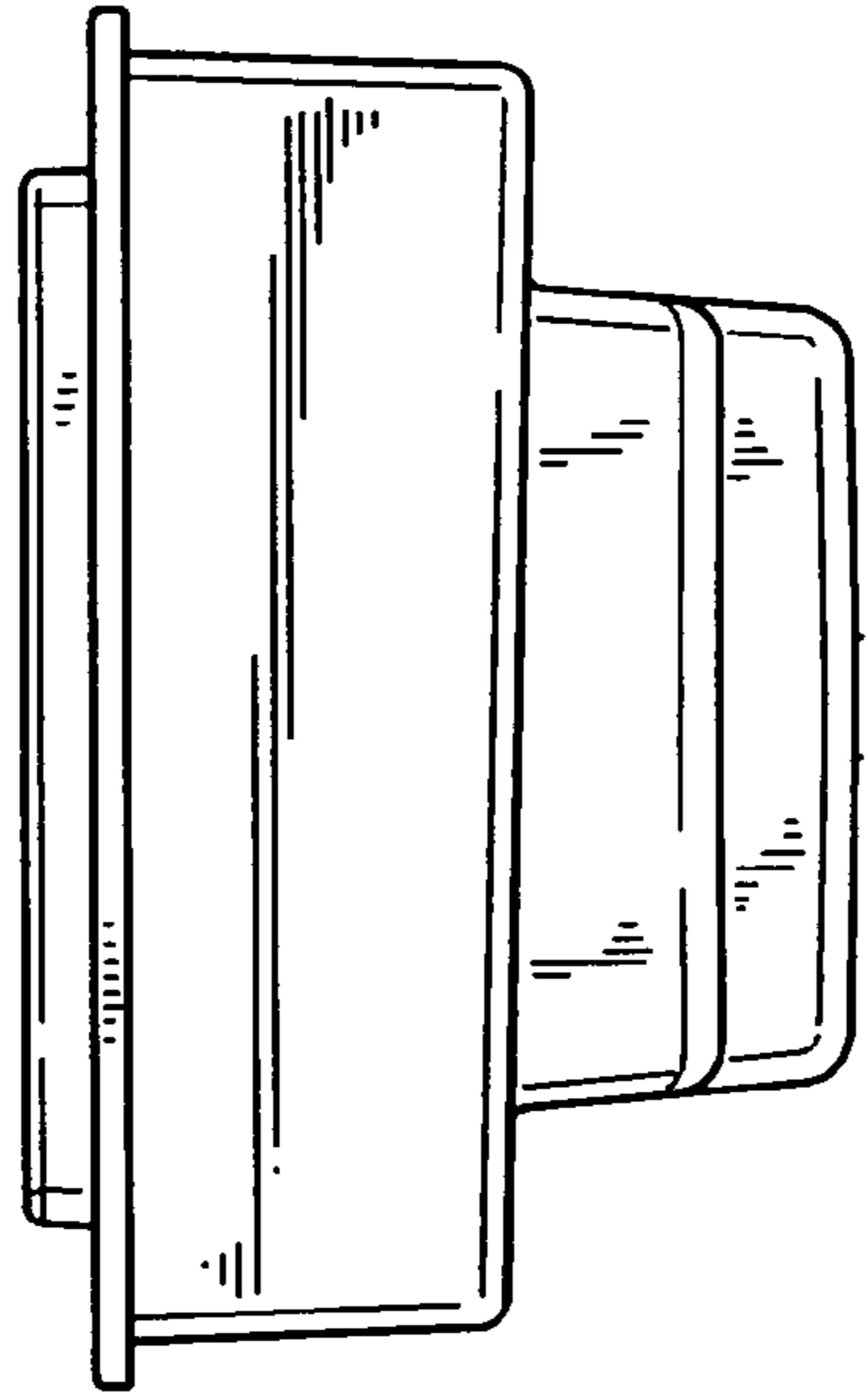
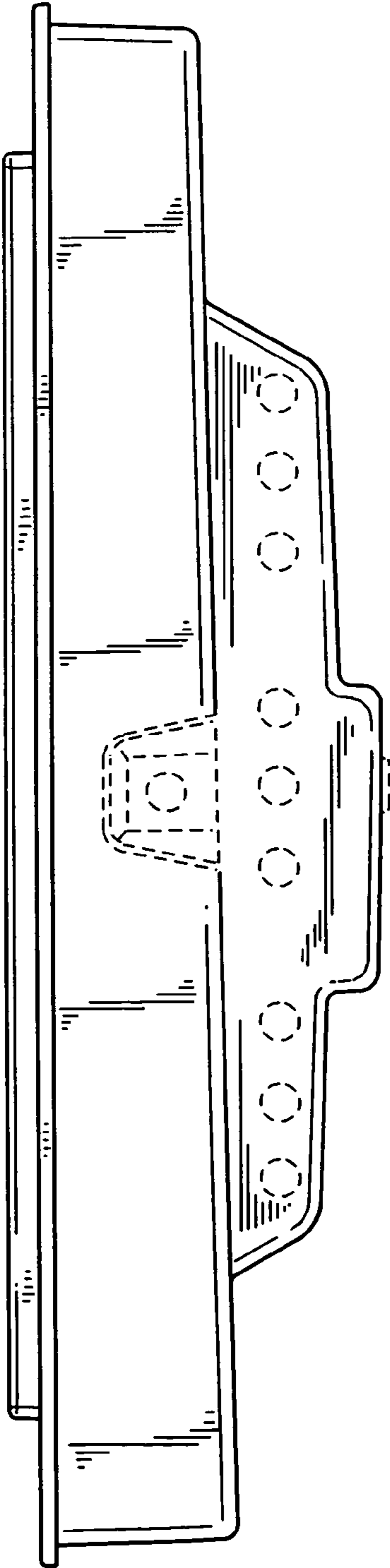


FIG. 5

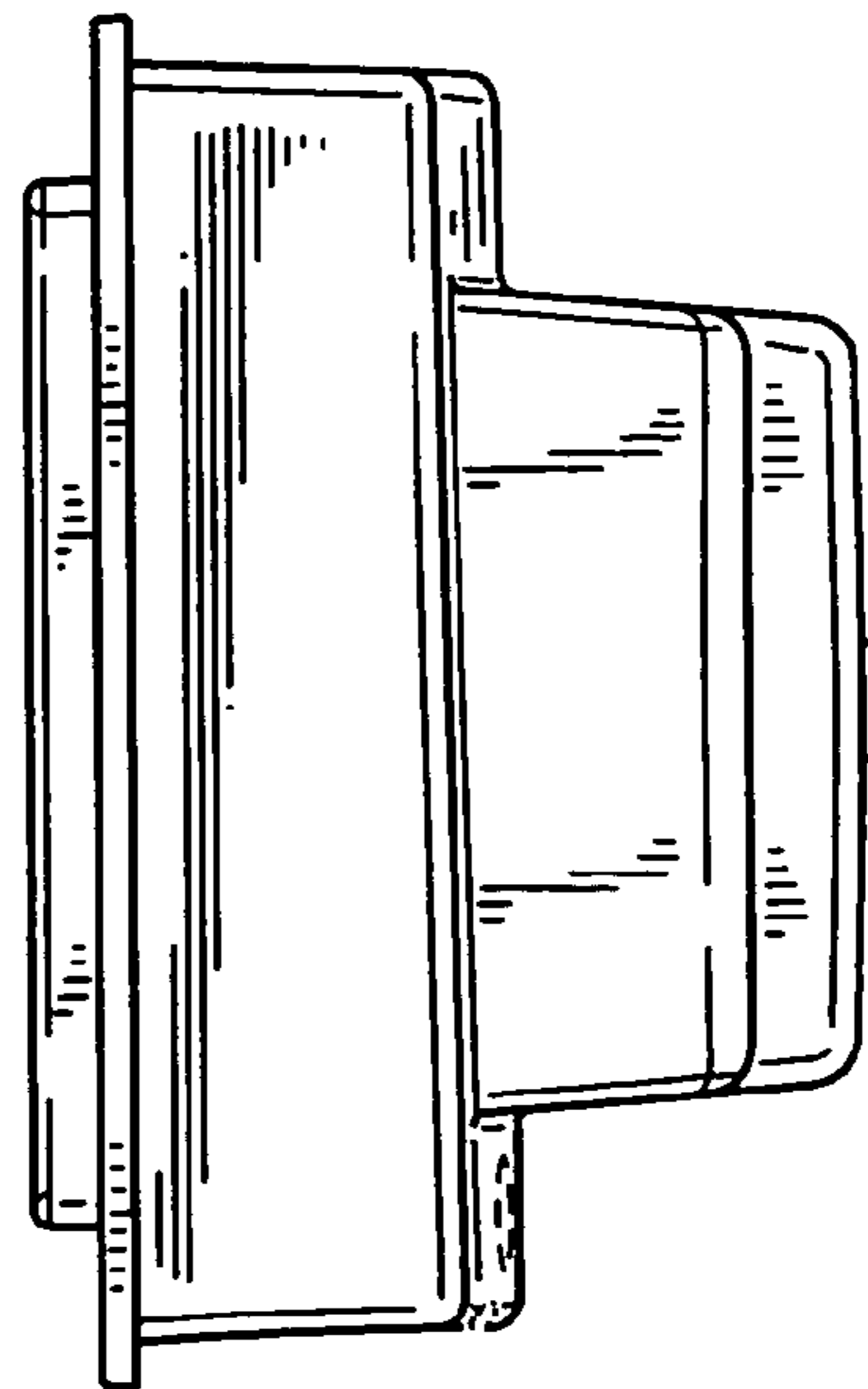


FIG. 4

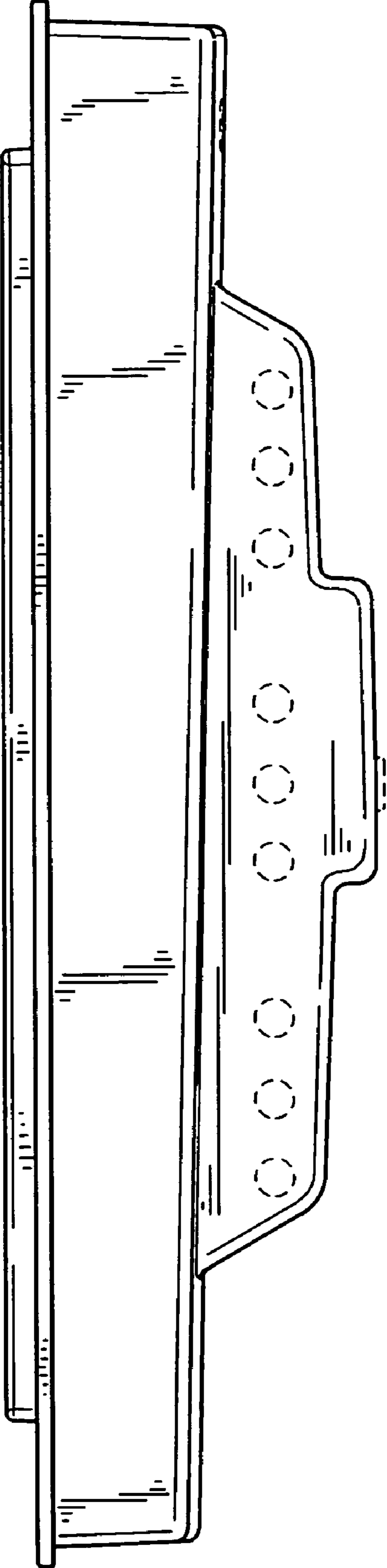


FIG. 6

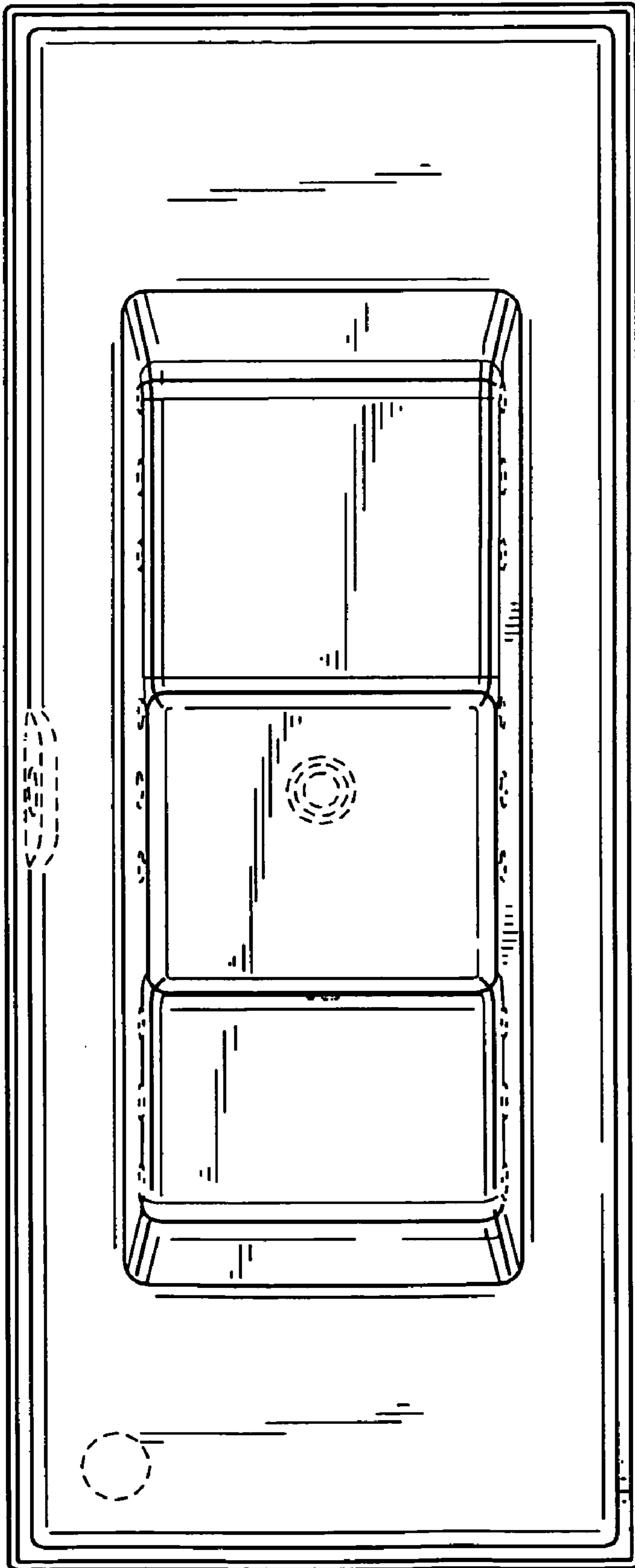


FIG. 7