



US00D577107S

(12) **United States Design Patent**
Gilbert

(10) **Patent No.:** **US D577,107 S**

(45) **Date of Patent:** **** Sep. 16, 2008**

(54) **HANDLE**

(75) Inventor: **Christopher Jon Gilbert**, Moreland Hills, OH (US)

(73) Assignee: **Moen Incorporated**, North Olmsted, OH (US)

(**) Term: **14 Years**

(21) Appl. No.: **29/286,795**

(22) Filed: **May 18, 2007**

(51) **LOC (8) Cl.** **23-01**

(52) **U.S. Cl.** **D23/252**

(58) **Field of Classification Search** D23/250,
D23/252-254, 238-243, 244-249; 4/675-678;
D8/300, 307-308; D6/550; 137/801; 16/110.1,
16/441

See application file for complete search history.

(56) **References Cited**

U.S. PATENT DOCUMENTS

D306,336 S *	2/1990	Oberdorfer	D23/252
D348,307 S	6/1994	Gottwald		
D355,578 S	2/1995	Mark et al.		
D364,213 S	11/1995	Dannenberg et al.		
D371,430 S	7/1996	Moon		
D376,413 S	12/1996	Kergoet		
D395,220 S *	6/1998	Klinker	D8/308
D397,412 S	8/1998	Slothower et al.		
D397,425 S	8/1998	Paredes et al.		
D443,919 S	6/2001	Lord		
D444,213 S	6/2001	Lord		

D460,161 S	7/2002	Green et al.		
D469,857 S	2/2003	Lim		
D477,057 S	7/2003	Schönherr et al.		
D490,878 S	6/2004	Hunt		
D505,187 S	5/2005	Fickas et al.		
D512,768 S	12/2005	Ouyoung		
D514,665 S	2/2006	Lindholm		
D516,184 S *	2/2006	Yong-Jun et al.	D23/252
D527,803 S *	9/2006	Chu et al.	D23/252
D527,805 S *	9/2006	Chu et al.	D23/252
D531,271 S *	10/2006	Kohler et al.	D23/252

* cited by examiner

Primary Examiner—Robert A Delehanty

(74) *Attorney, Agent, or Firm*—Calfee, Halter & Griswold LLP

(57) **CLAIM**

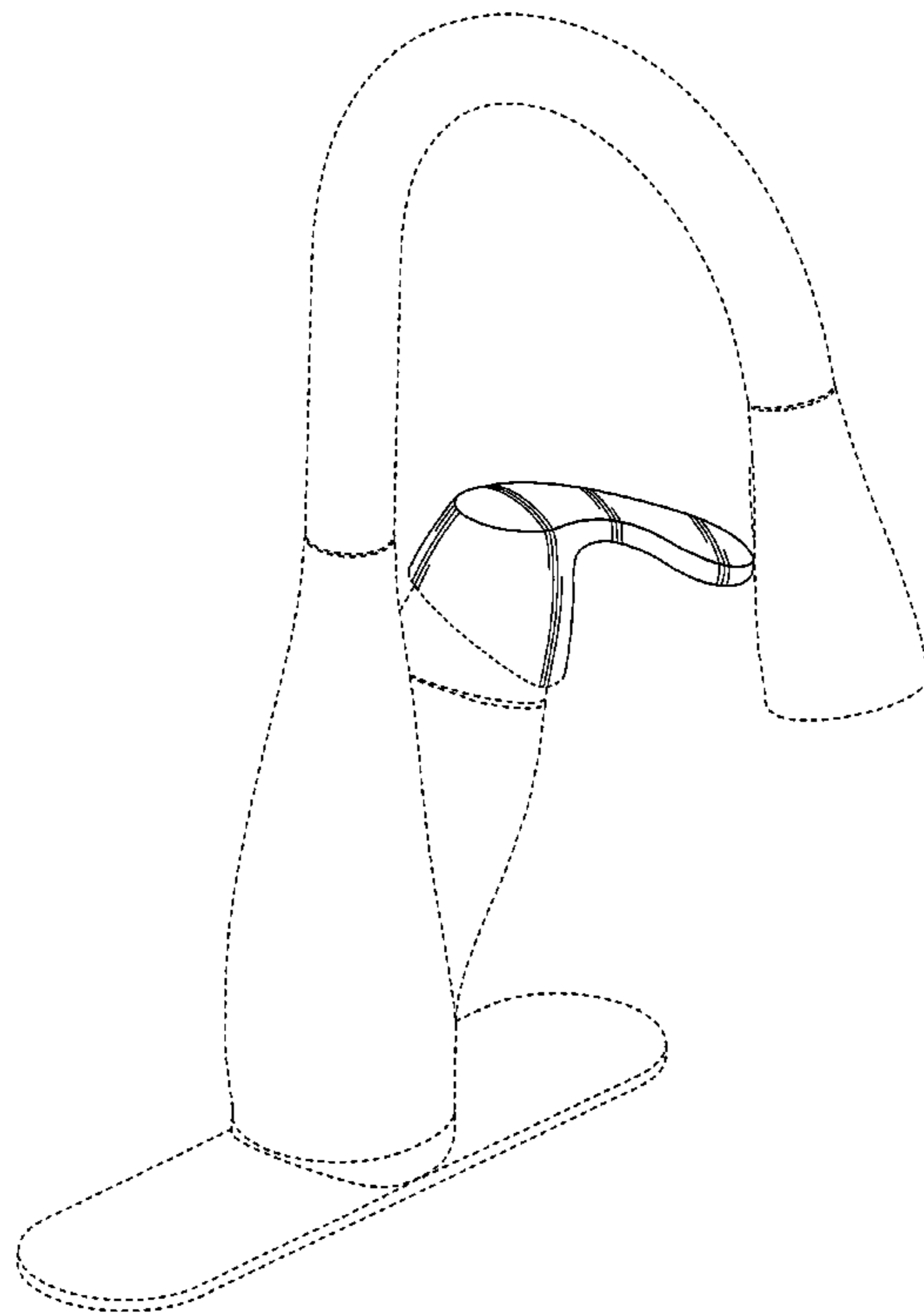
The ornamental design for a handle, as shown and described.

DESCRIPTION

FIG. 1 is a perspective view of a handle of the new design; FIG. 2 is a front elevational view of the handle of FIG. 1; FIG. 3 is a rear elevational view of the handle of FIG. 1; FIG. 4 is a left side elevational view of the handle of FIG. 1; FIG. 5 is a right side elevational view of the handle of FIG. 1; FIG. 6 is a top plan view of the handle of FIG. 1; and, FIG. 7 is a bottom plan view of the handle of FIG. 1.

The portions of the Figures shown in broken lines are not part of the claimed design and are for illustration only.

1 Claim, 4 Drawing Sheets



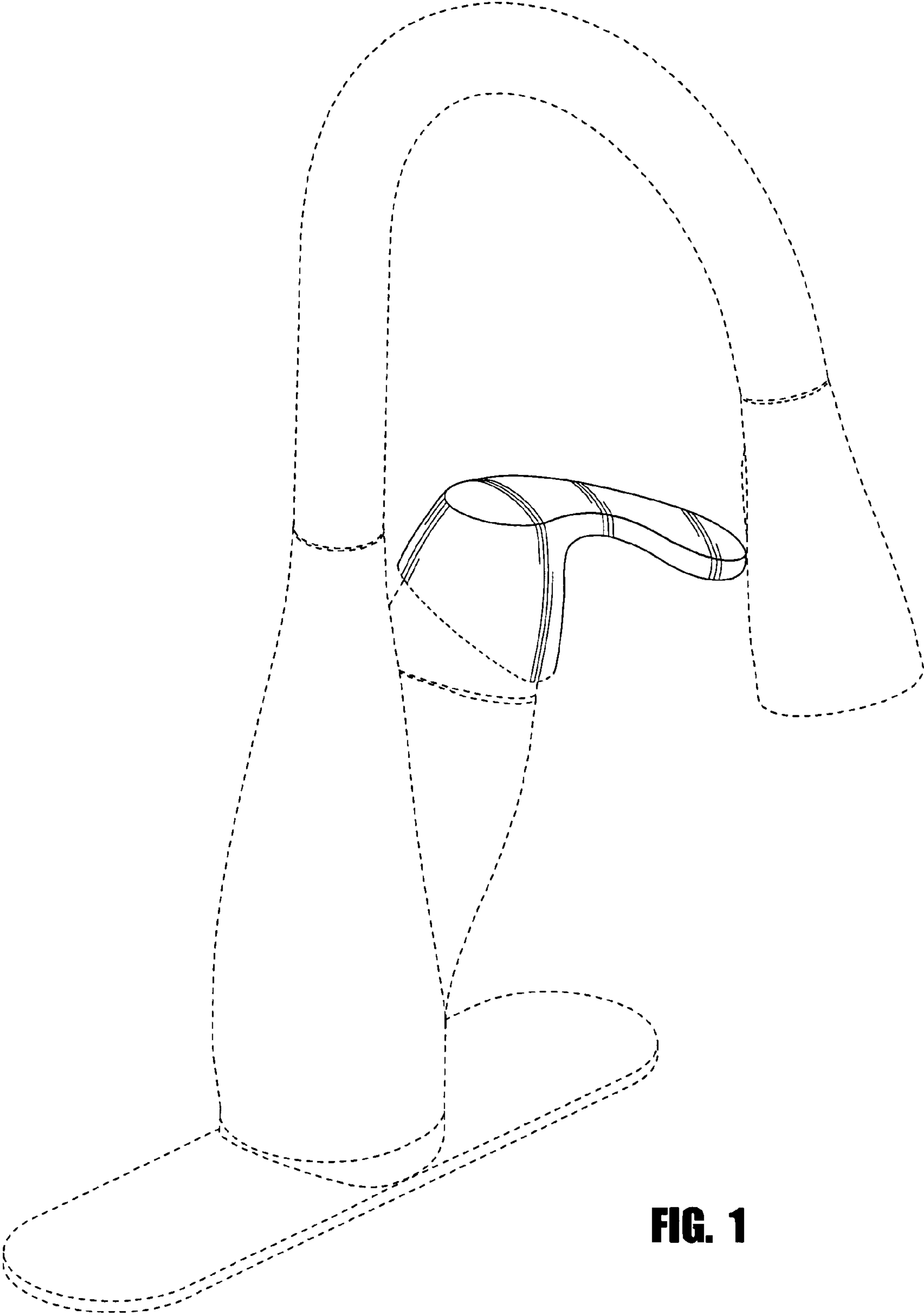


FIG. 1

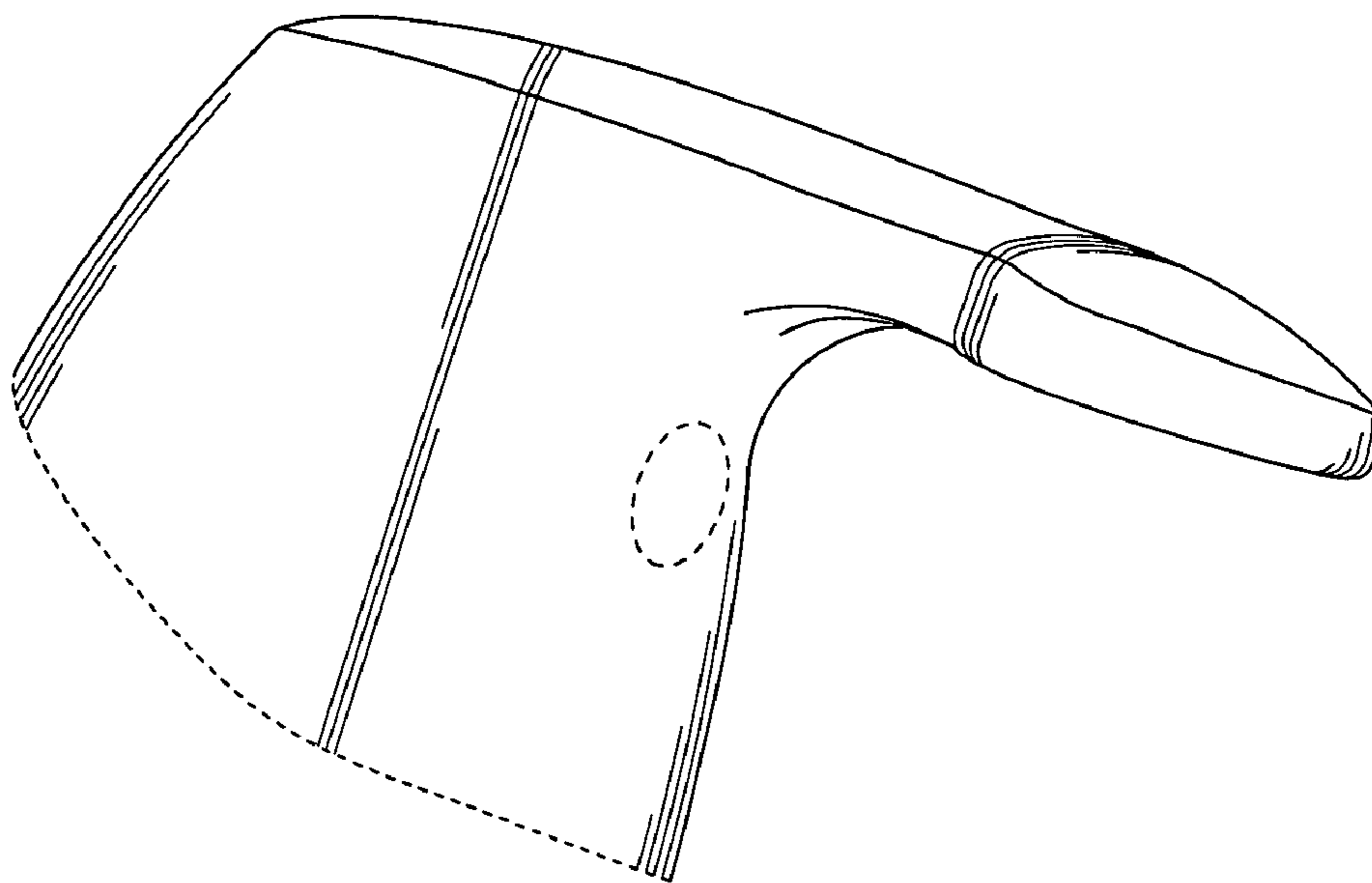


FIG. 2

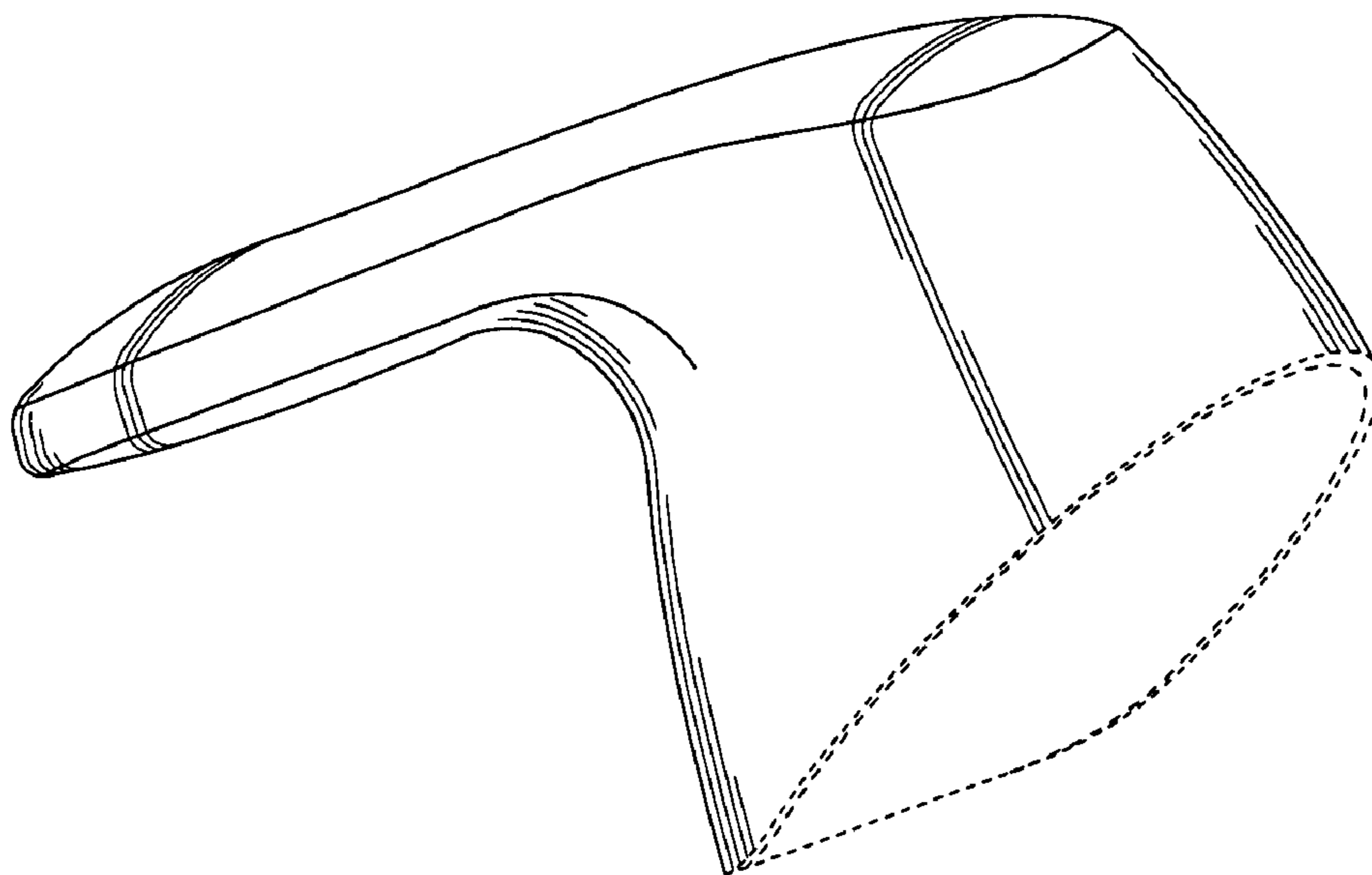


FIG. 3

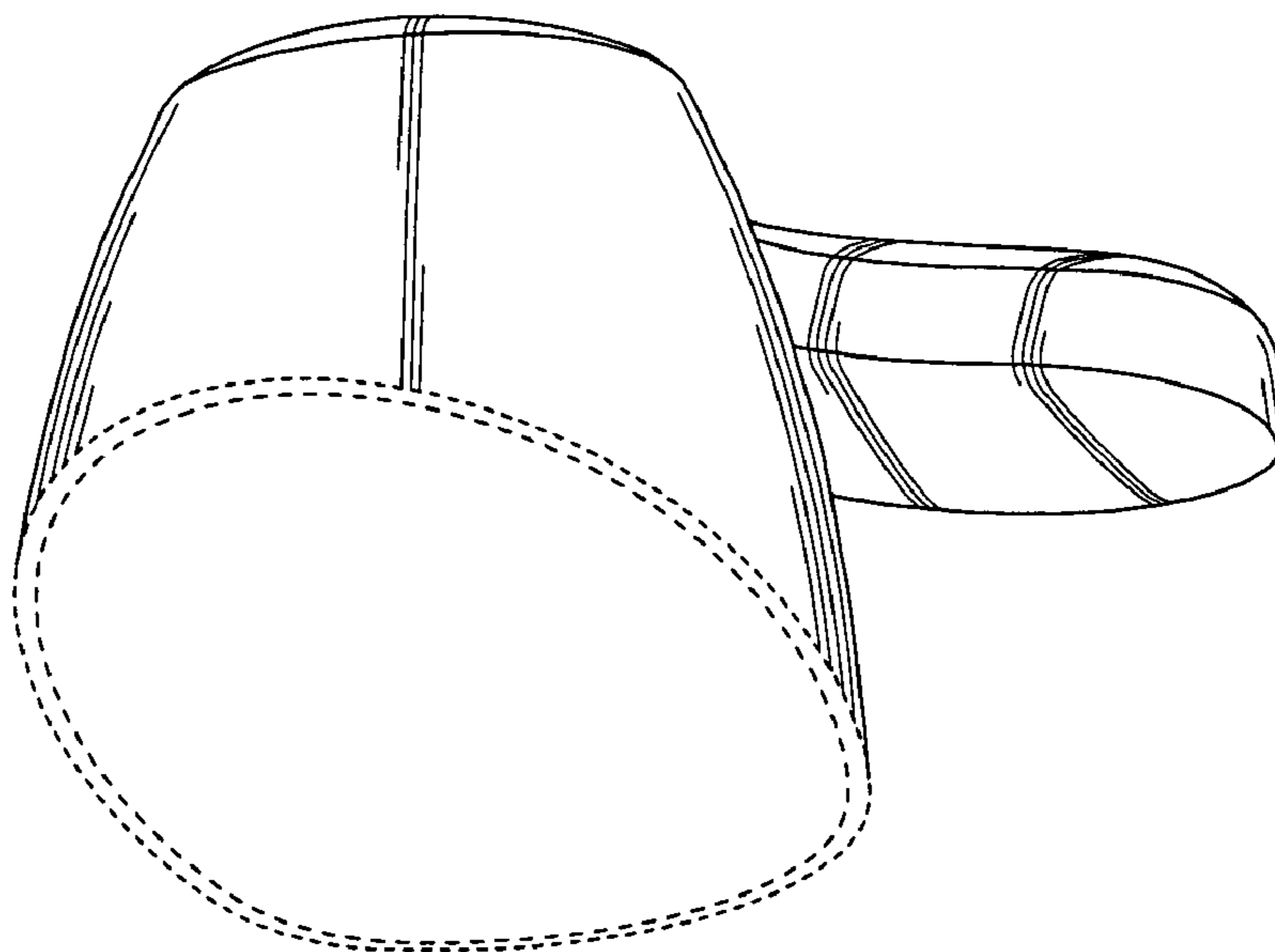


FIG. 4

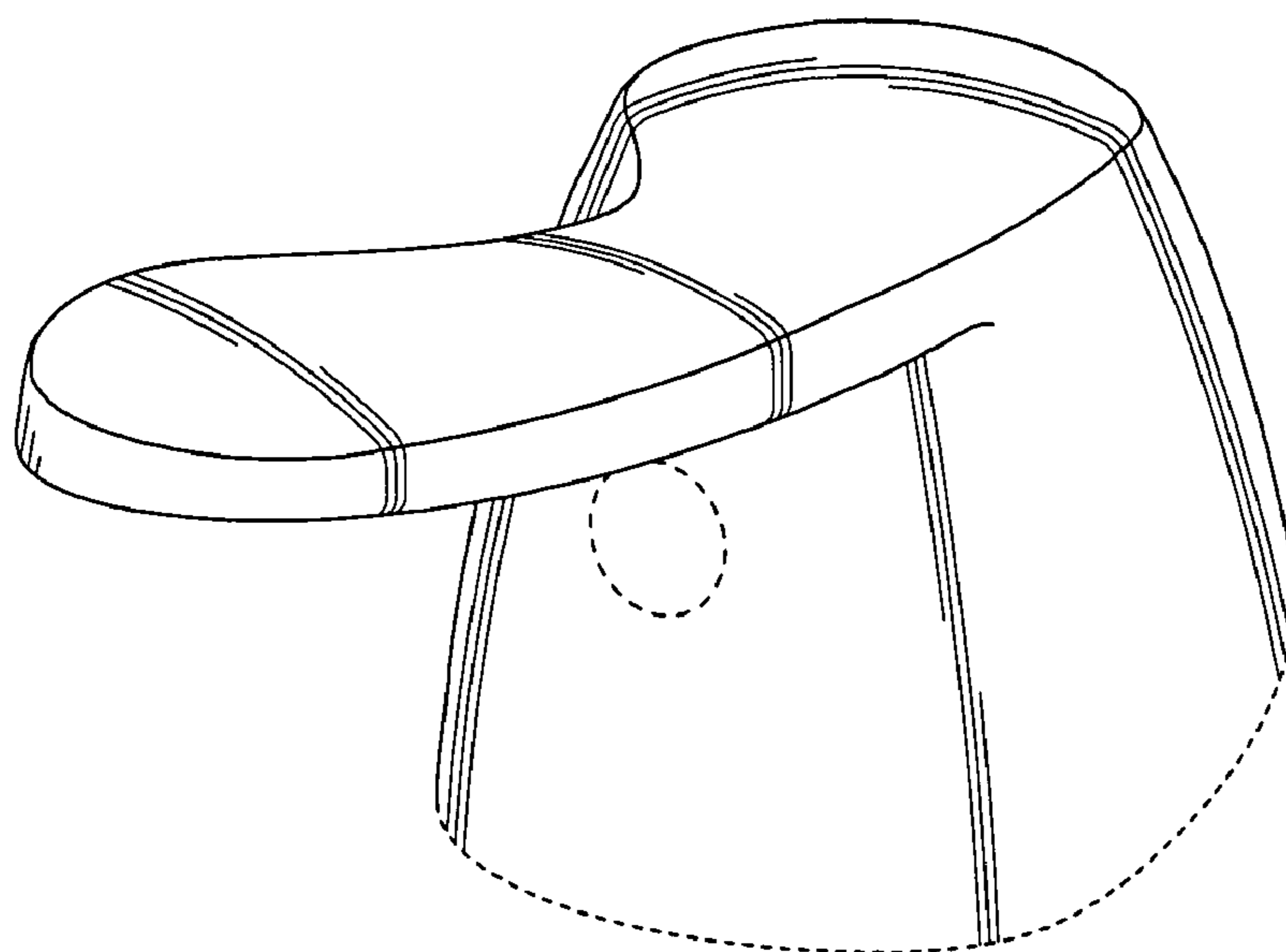


FIG. 5

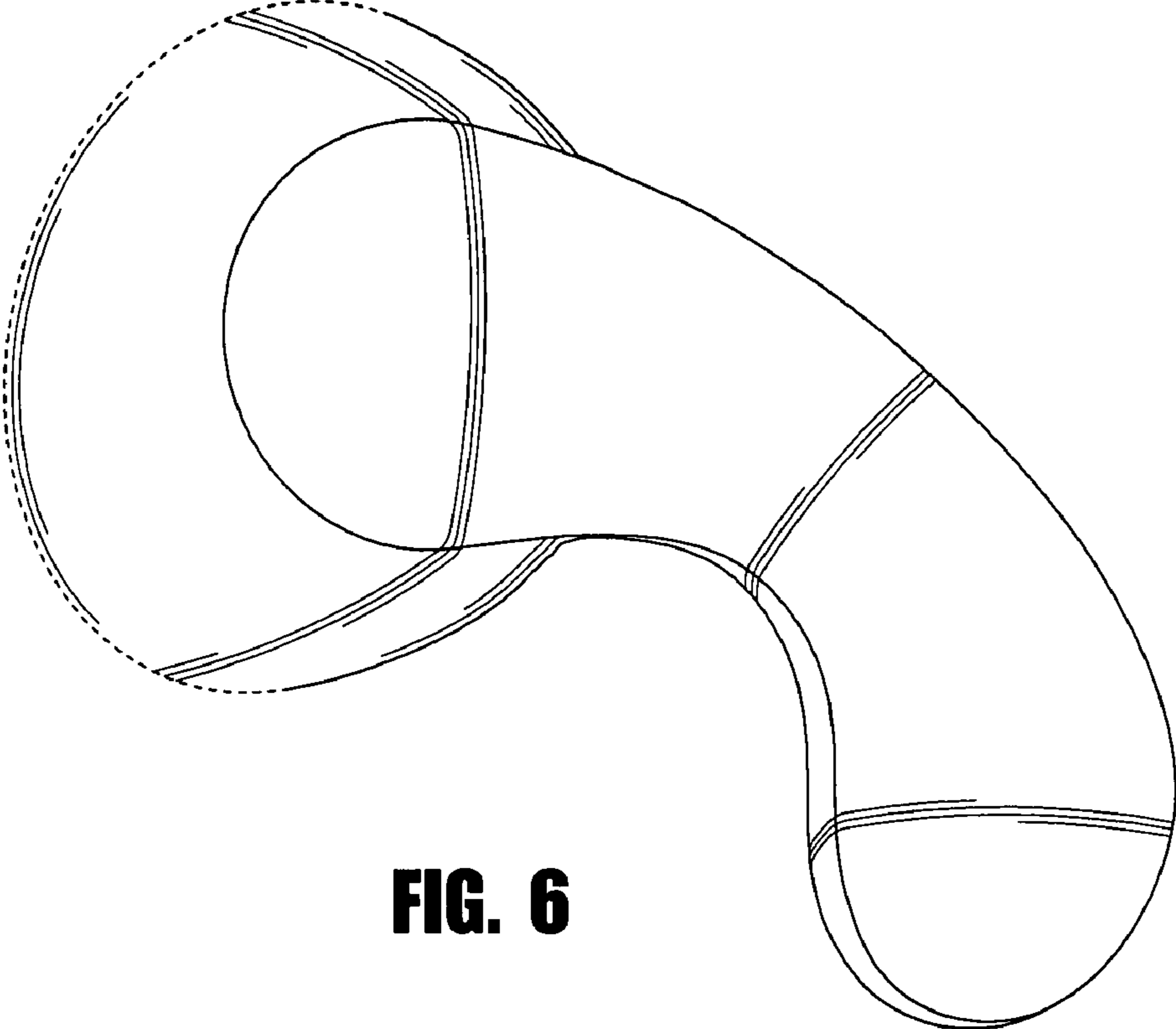


FIG. 6

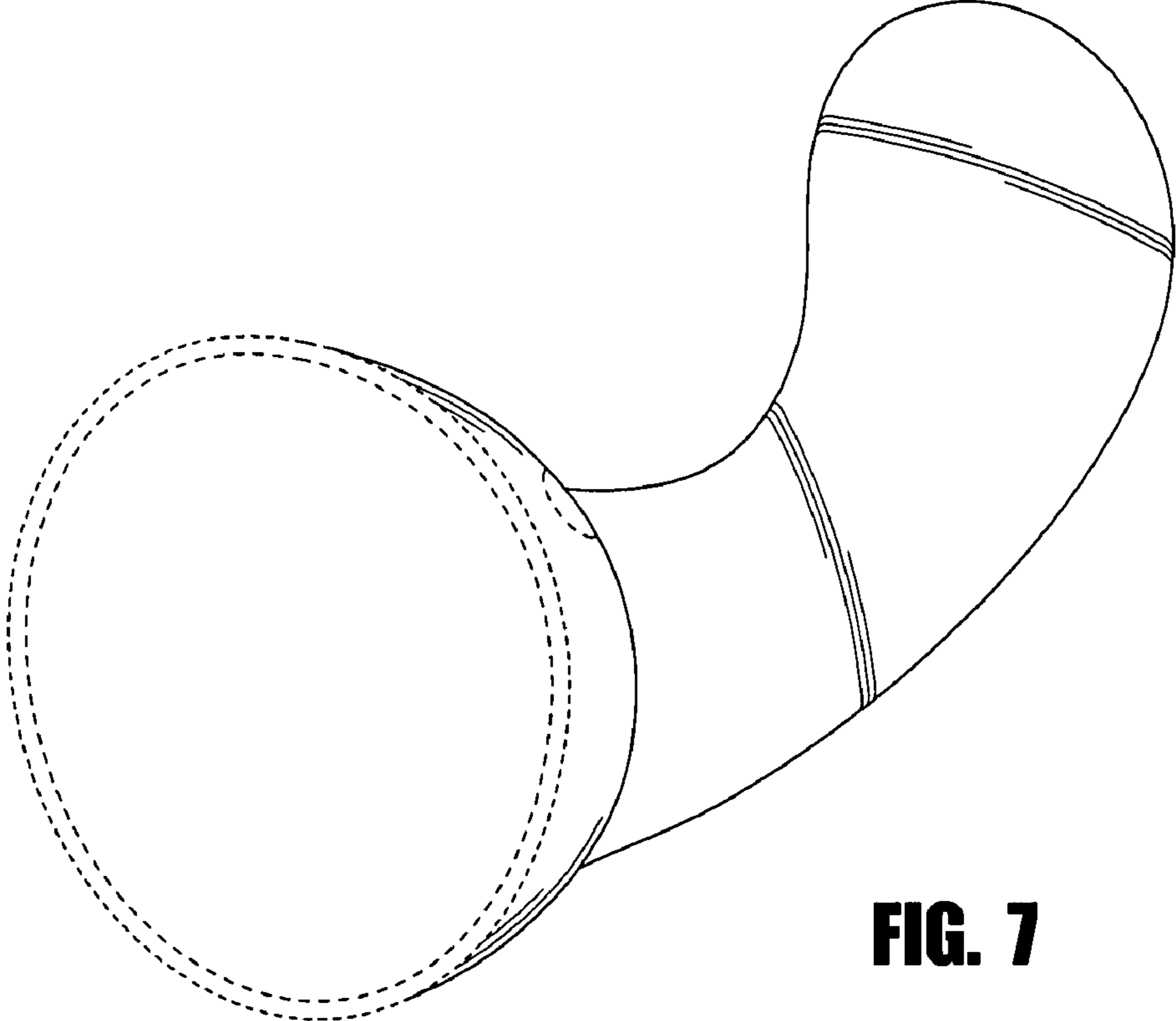


FIG. 7