



US00D577106S

(12) **United States Design Patent**
Gagas

(10) **Patent No.:** **US D577,106 S**
(45) **Date of Patent:** **** Sep. 16, 2008**

(54) **GATE VALVE SEALING STRUCTURE**

3,308,727 A 3/1967 Hurt, Jr.
3,548,864 A 12/1970 Handley et al.
3,658,086 A 4/1972 Hart
4,029,425 A 6/1977 Pelsue
4,030,519 A 6/1977 Zinn

(75) Inventor: **Michael Gagas**, Franklin, WI (US)

(73) Assignee: **Adaptor, Inc.**, West Allis, WI (US)

(**) Term: **14 Years**

(21) Appl. No.: **29/266,329**

(22) Filed: **Sep. 19, 2006**

(Continued)

Related U.S. Application Data

(63) Continuation of application No. 11/217,994, filed on Sep. 1, 2005, and a continuation-in-part of application No. 29/237,547, filed on Sep. 1, 2005, now Pat. No. Des. 548,309.

(51) **LOC (8) Cl.** **23-01**

(52) **U.S. Cl.** **D23/248**

(58) **Field of Classification Search** D23/233-237, D23/244-249; 251/63, 326-329; 137/884, 137/367, 365, 364, 370, 368; 403/6, 10, 403/17, 287; 123/308; 285/8, 10, 11, 16, 285/17, 34, 46, 48, 61, 64, 84-91, 115, 116, 285/121.1, 121.3, 121.5, 123.9, 123.12, 124.2, 285/435

See application file for complete search history.

(56) **References Cited**

U.S. PATENT DOCUMENTS

349,567 A 9/1886 Clarke
514,633 A 2/1894 Sund
536,268 A 3/1895 Cullen
589,357 A 8/1897 Link
604,622 A 5/1898 Lobdell et al.
820,616 A 5/1906 Batt
852,359 A 4/1907 Walcott et al.
996,956 A 7/1911 Walcott
1,608,772 A 11/1926 Cole
1,987,502 A 1/1935 Born et al.
2,008,138 A 7/1935 Le Duc
2,099,479 A 11/1937 Heinkel et al.
2,596,532 A 5/1952 Coolidge et al.

FOREIGN PATENT DOCUMENTS

GB 2 102 479 A 6/1982

Primary Examiner—Ian Simmons

Assistant Examiner—Maurice Stevens

(74) *Attorney, Agent, or Firm*—Ryan Kromholz & Manion S.C.

(57) **CLAIM**

The ornamental design for a gate valve sealing structure, as shown and described.

DESCRIPTION

FIG. 1 is a perspective view of a gate valve sealing structure according to the present invention.

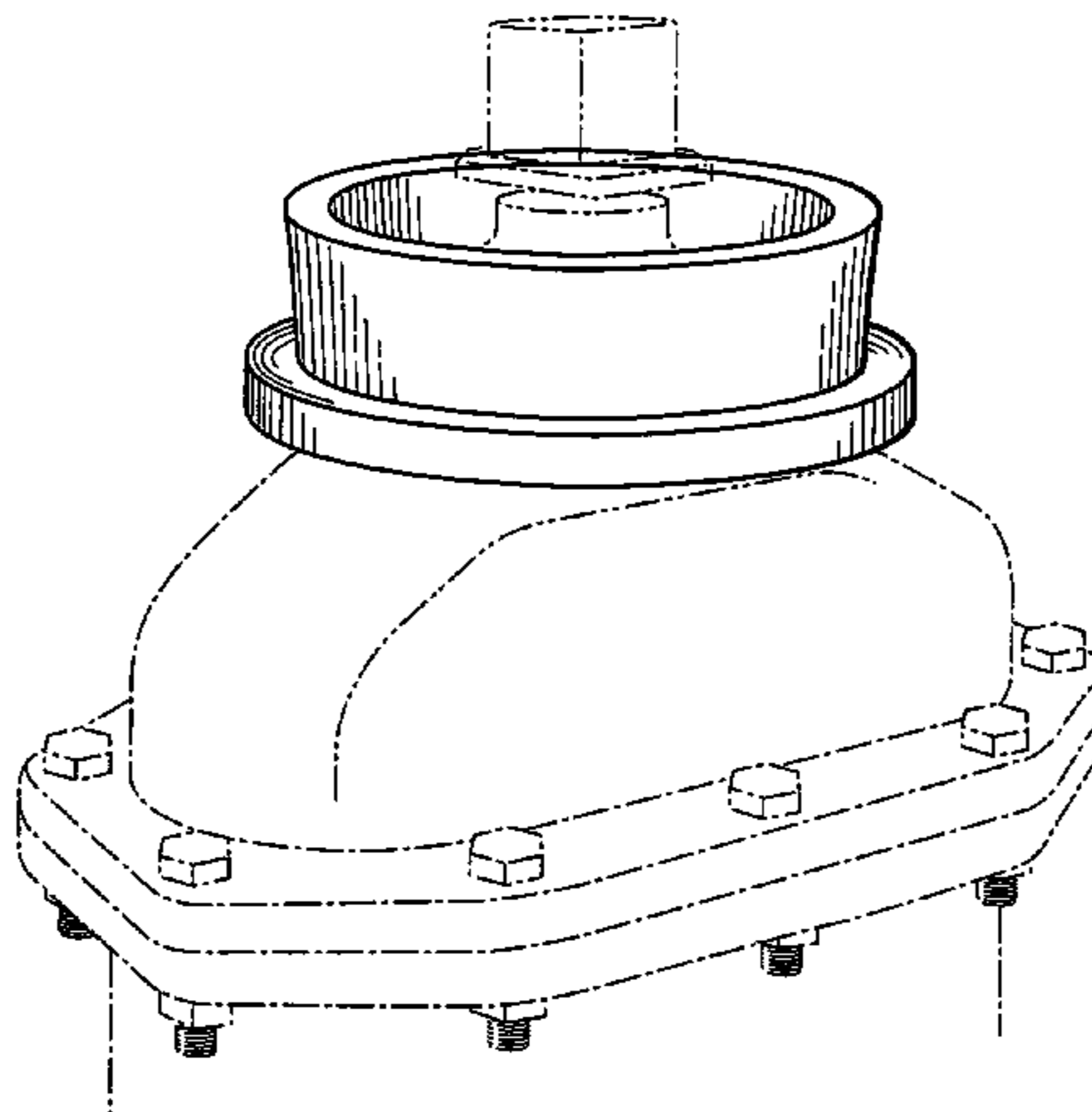
FIG. 2 is right side elevation view of the structure of FIG. 1, the left side view, front side view, and rear view being identical thereof.

FIG. 3 is a top plan view of the structure of FIG. 1; and,

FIG. 4 is a bottom plan view of the structure of FIG. 1.

The broken lines in FIG. 1 of a gate valve are illustrative of environmental structure only and form no part of the claimed design.

1 Claim, 2 Drawing Sheets



US D577,106 S

Page 2

U.S. PATENT DOCUMENTS					
			5,201,151 A	4/1993	LeBlanc et al.
RE29,532 E	2/1978	Zwick	5,240,345 A	8/1993	Gagas
4,188,151 A	2/1980	Hall et al.	5,299,884 A	4/1994	Westhoff et al.
4,275,757 A	6/1981	Singer	5,316,040 A	5/1994	Townsend et al.
4,305,679 A	12/1981	Modi	5,362,174 A	11/1994	Yang
4,308,886 A	1/1982	Handley et al.	5,431,553 A	7/1995	Topf, Jr.
4,350,177 A	9/1982	Firchau et al.	5,482,400 A	1/1996	Bavington
4,368,893 A	1/1983	Gagas	5,542,780 A	8/1996	Kourgli
4,440,407 A	4/1984	Gagas	5,628,152 A	5/1997	Bowman
4,449,715 A	5/1984	Gagas	5,722,204 A	3/1998	Stieb et al.
4,469,467 A	9/1984	Odill et al.	6,044,590 A	4/2000	Gagas
4,475,845 A	10/1984	Odill et al.	6,092,550 A	7/2000	Gotch et al.
4,534,378 A	8/1985	Gagas et al.	D437,917 S	2/2001	Weingarten
4,556,081 A	12/1985	Gagas	6,354,325 B1	3/2002	Warnes et al.
4,592,674 A	6/1986	Baliva	D460,526 S	7/2002	Weingarten
4,759,656 A	7/1988	Wilson	D489,797 S	5/2004	Hall et al.
4,772,154 A	9/1988	Carouille	6,953,053 B2	10/2005	Waffler et al.
D300,171 S *	3/1989	Been D23/233	D546,924 S *	7/2007	Gagas D23/244
4,819,687 A	4/1989	Alberico et al.	D548,309 S *	8/2007	Gagas D23/244
4,872,780 A	10/1989	Bowman	D554,744 S *	11/2007	Hwang D23/249
4,927,163 A	5/1990	Gagas	2006/0131534 A1	6/2006	Leroux
5,095,667 A	3/1992	Ryan et al.			

* cited by examiner

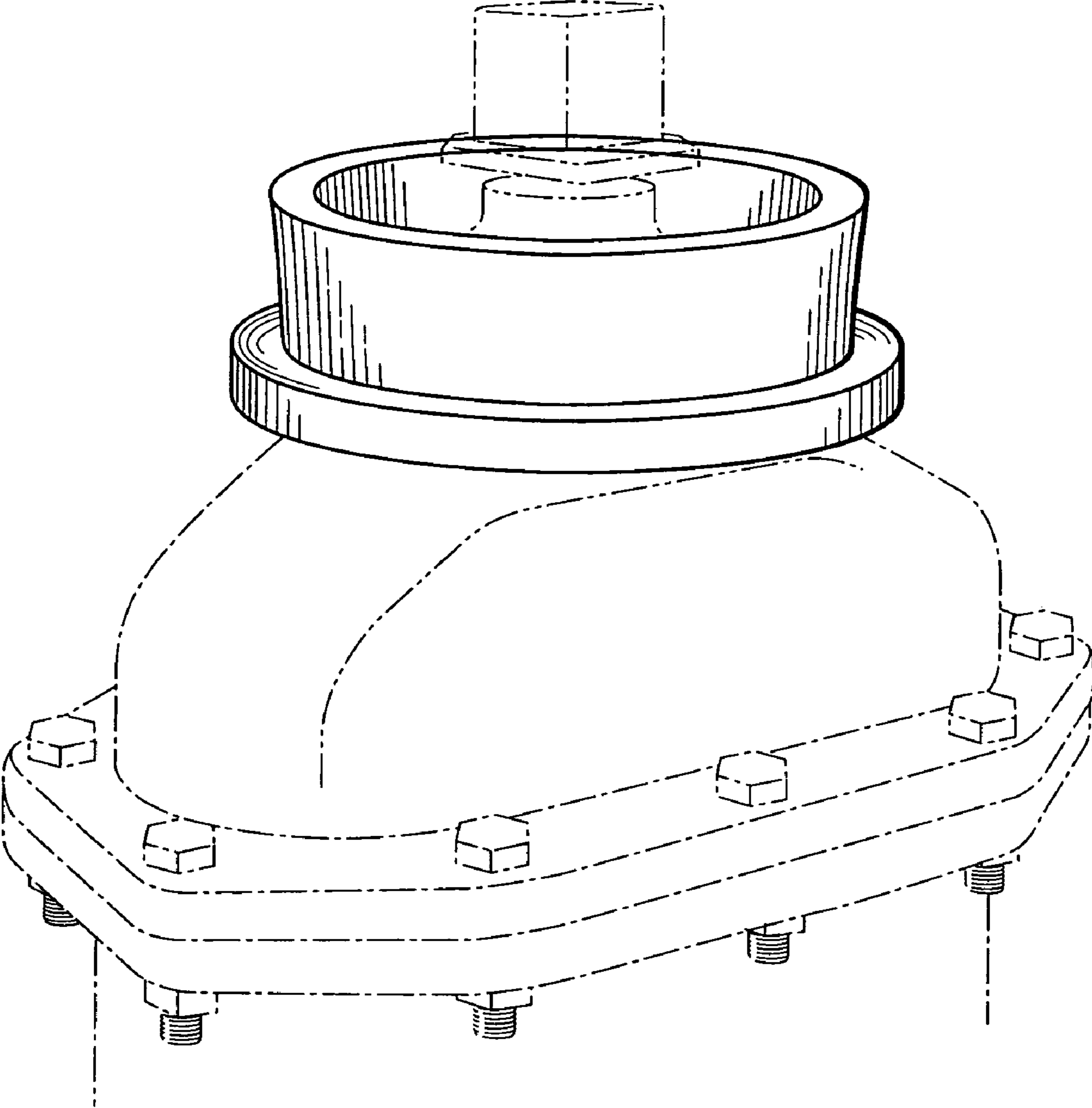


Fig. 1

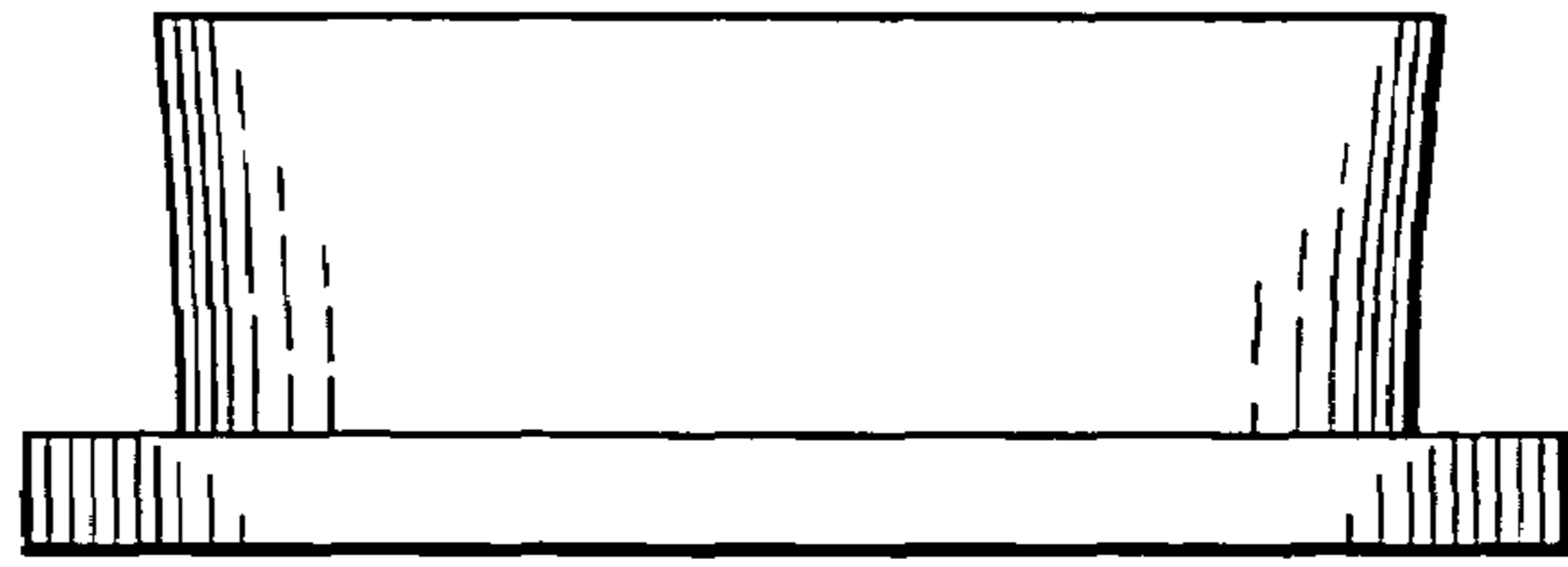


Fig. 2

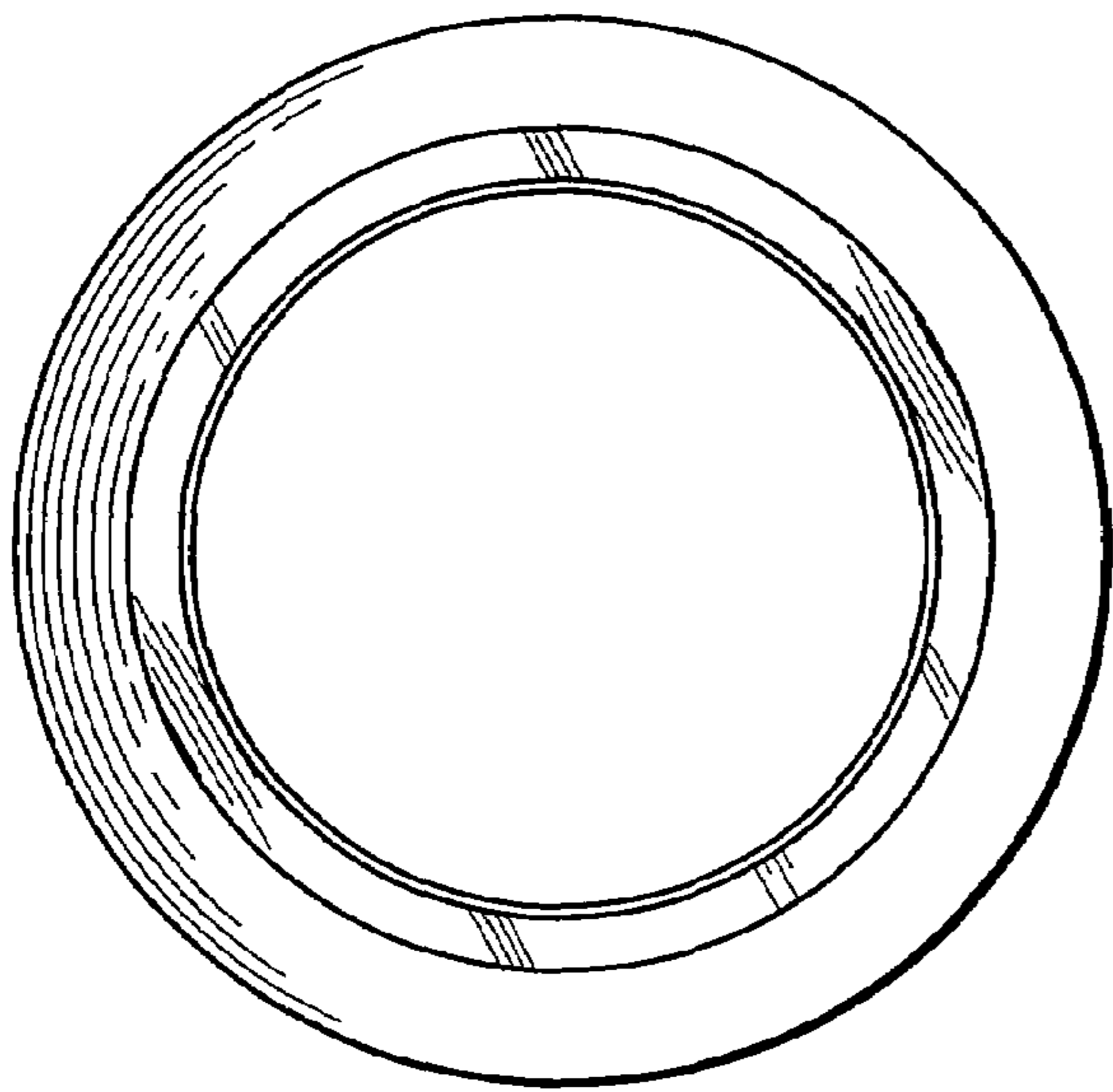


Fig. 3

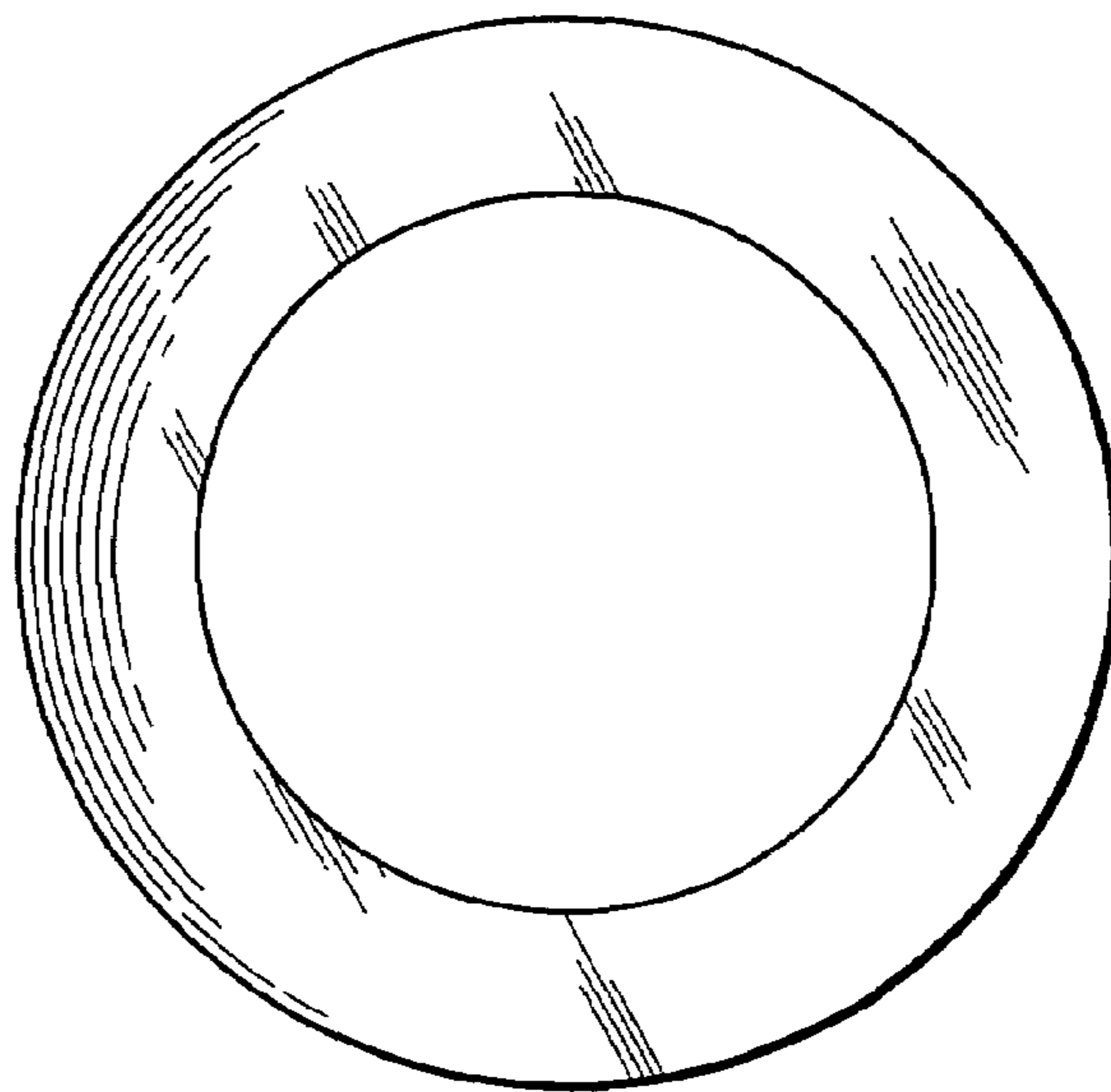


Fig. 4