



US00D577105S

(12) **United States Design Patent**  
**Eilmus**

(10) **Patent No.:** **US D577,105 S**

(45) **Date of Patent:** **\*\* Sep. 16, 2008**

(54) **PLUMBING FITTING**

(75) Inventor: **Niels J. Eilmus**, Sheboygan, WI (US)

(73) Assignee: **Kohler Co.**, Kohler, WI (US)

(\*\*) Term: **14 Years**

(21) Appl. No.: **29/303,347**

(22) Filed: **Feb. 7, 2008**

(51) **LOC (8) Cl.** ..... **23-01**

(52) **U.S. Cl.** ..... **D23/238**

(58) **Field of Classification Search** ..... D23/200,  
D23/238-257; D6/512, 546, 550; D8/300,  
D8/307-308, 310-312, 321; 4/675-678;  
137/801; 16/110.1, 441

See application file for complete search history.

(56) **References Cited**

**U.S. PATENT DOCUMENTS**

D72,505 S *	4/1927	Van Eweyk	.....	D23/243
D77,022 S *	11/1928	Mueller	.....	D23/240
D83,674 S *	3/1931	Fraser	.....	D23/240
D96,839 S *	9/1935	Johnston	.....	D23/240
D141,718 S *	6/1945	Blank	.....	D23/240
D149,388 S *	4/1948	Stratmore	.....	D23/240
D163,545 S *	6/1951	Smolensky	.....	D23/240
D458,987 S *	6/2002	Gottwald	.....	D23/242
D476,063 S *	6/2003	Haug et al.	.....	D23/238
D509,882 S *	9/2005	Find et al.	.....	D23/238
D512,127 S *	11/2005	Egee	.....	D23/241
D522,617 S *	6/2006	Egee	.....	D23/241

**OTHER PUBLICATIONS**

EOD Kitchen Faucet. "Wall Mount Kitchen Faucet", Model No. ES129xxx. DesignerPlumbing.com online catalog.

Hansgrohe. "Axor Montreux Kitchen Faucet", DesignerPlumbing.com online catalog.

K&B. "Atrio Series Solid Brass Kitchen/Bar Faucet", ForKitchenandBath.com online catalog.

Kallista Inc. Barbara Barry Bath Deck Faucet, Cross Handles. Model No. P22603-CR. Kallista.com online catalog. Copyright 2007 Kallista Inc.

\* cited by examiner

*Primary Examiner*—Loius Zarfaz

*Assistant Examiner*—Mark Cavanna

(74) *Attorney, Agent, or Firm*—Quarles & Brady LLP

(57) **CLAIM**

The ornamental design for a plumbing fitting, as shown and described.

**DESCRIPTION**

In a preferred embodiment, the nature of this product is a plumbing fitting in the form of a body for a kitchen faucet.

FIG. 1 is a right, top, front perspective view of a plumbing fitting according to my new design;

FIG. 2 is a front elevational view thereof;

FIG. 3 is a right side elevational view thereof, the left side elevational view thereof being a mirror image of the right side shown;

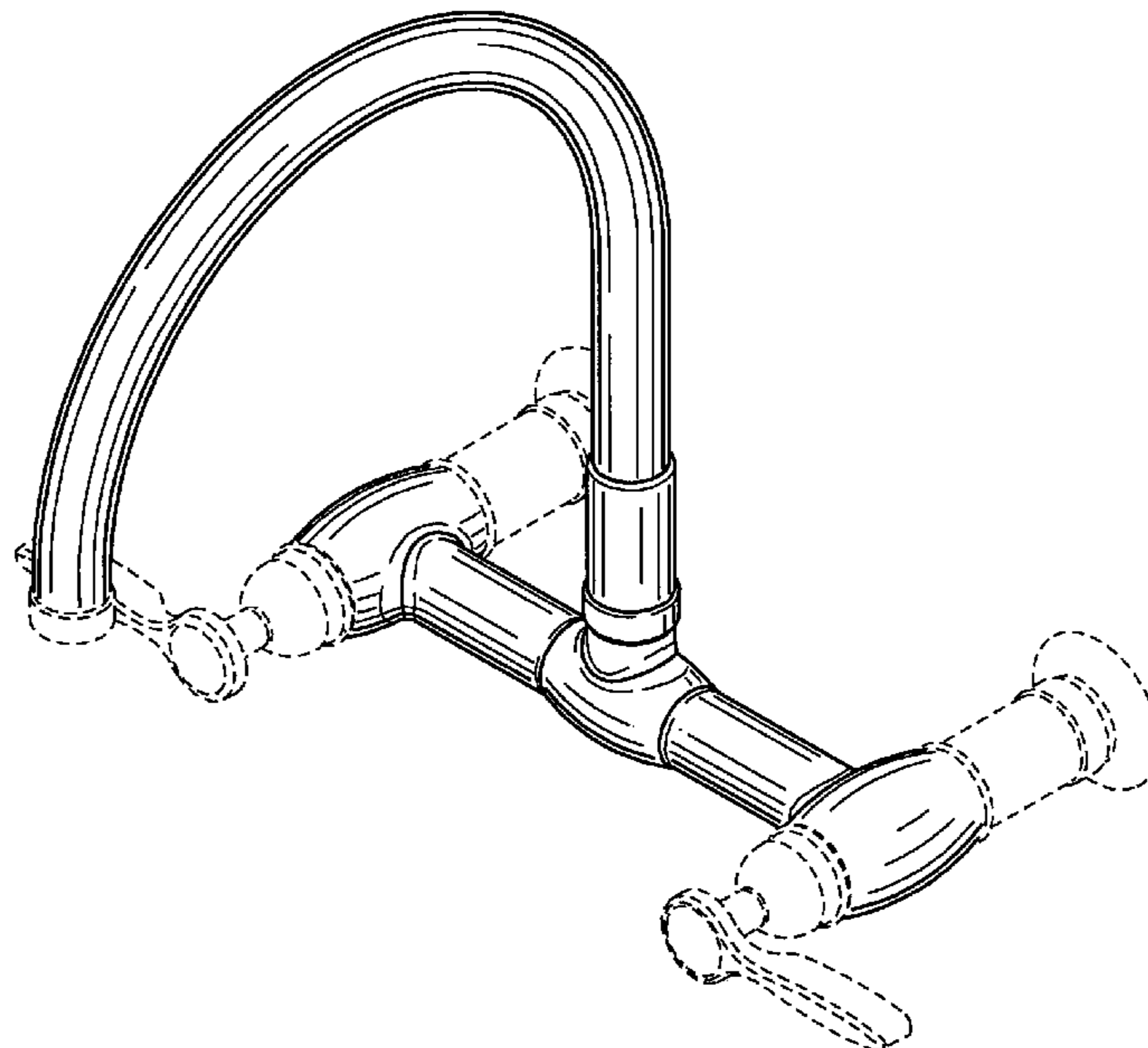
FIG. 4 is a top plan view thereof;

FIG. 5 is a rear elevational view thereof; and,

FIG. 6 is a bottom plan view thereof.

The broken line representations in the figures are for the purpose of illustration only, and form no part of the claimed design.

**1 Claim, 6 Drawing Sheets**



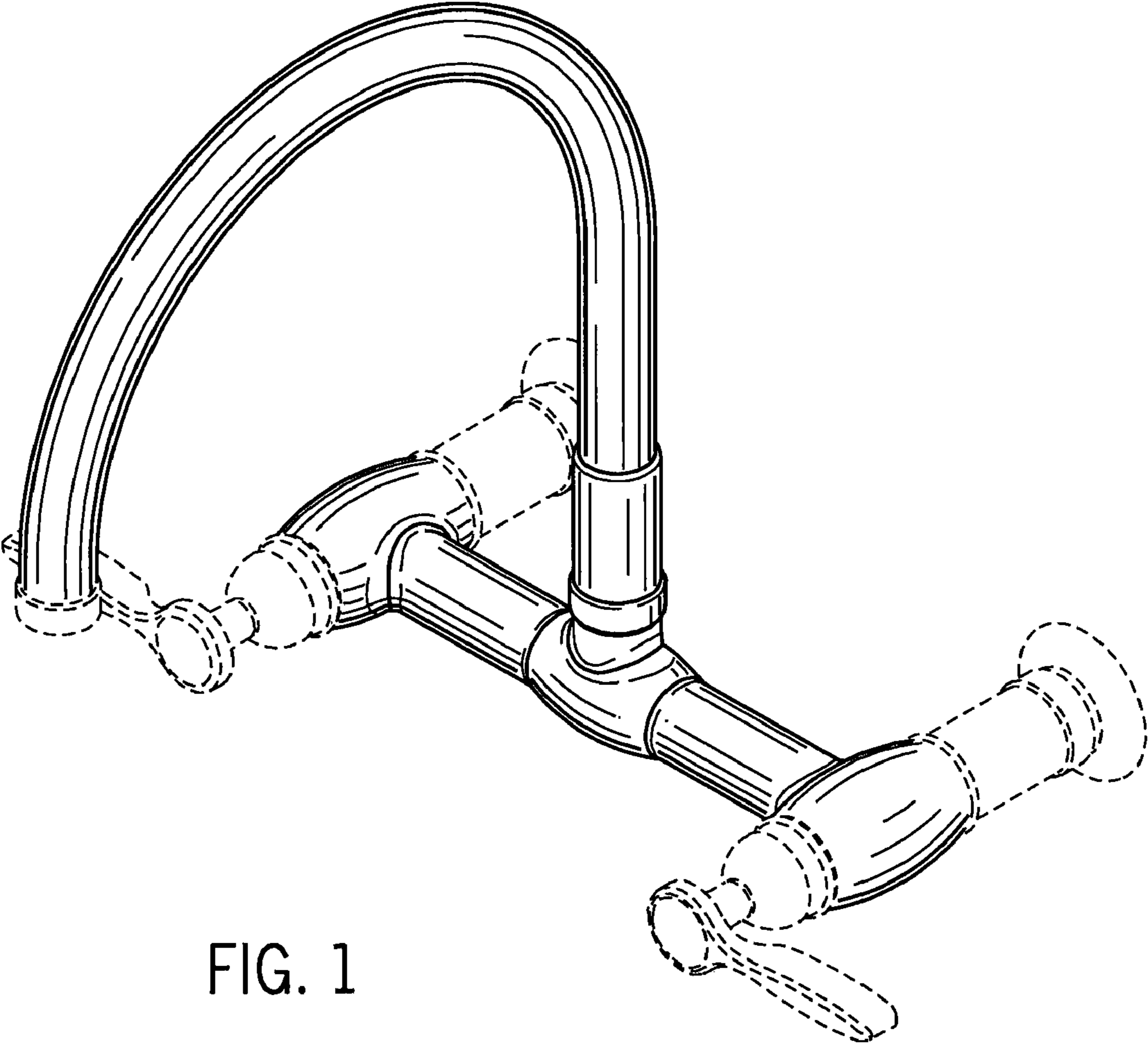


FIG. 1

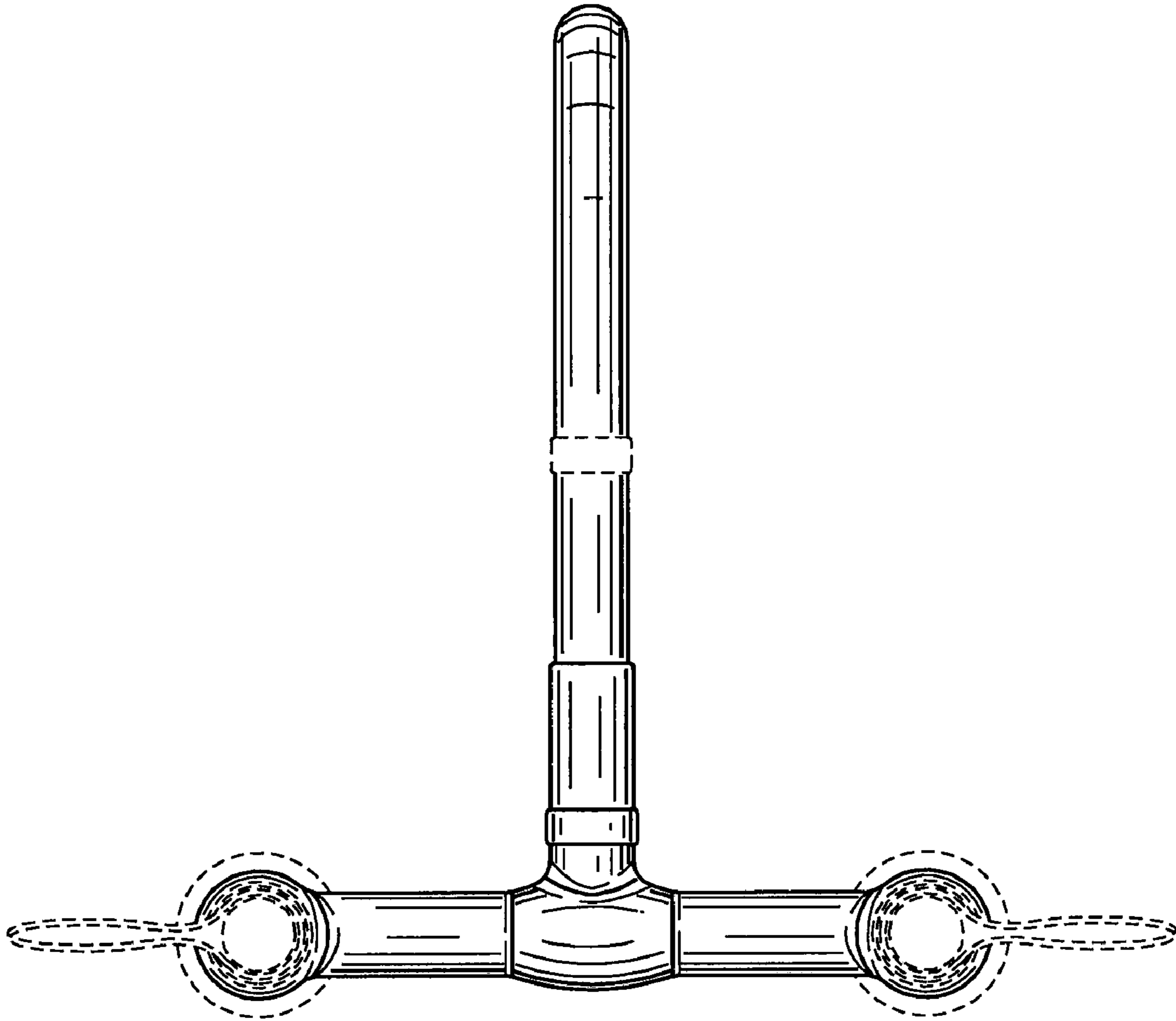


FIG. 2

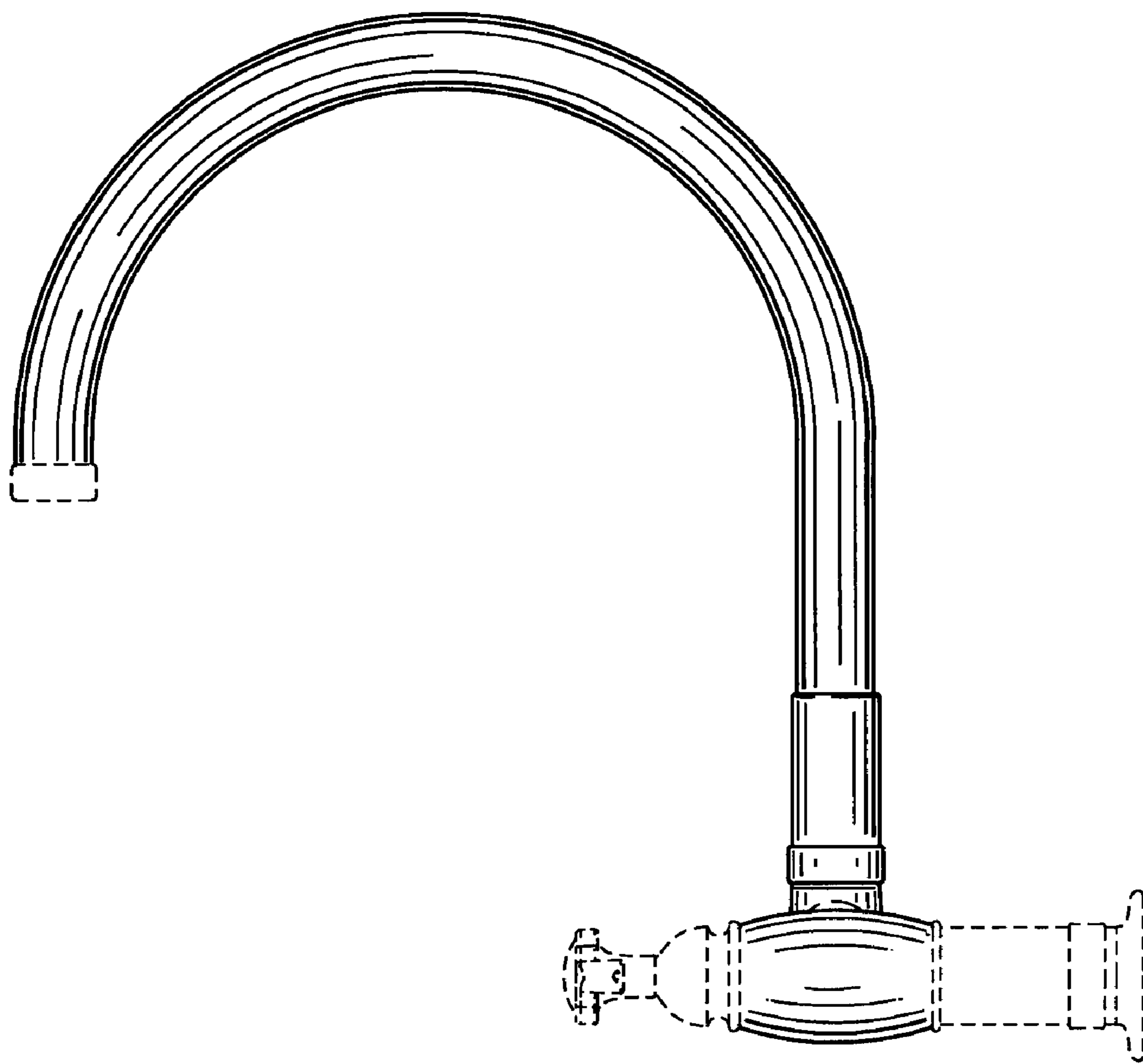
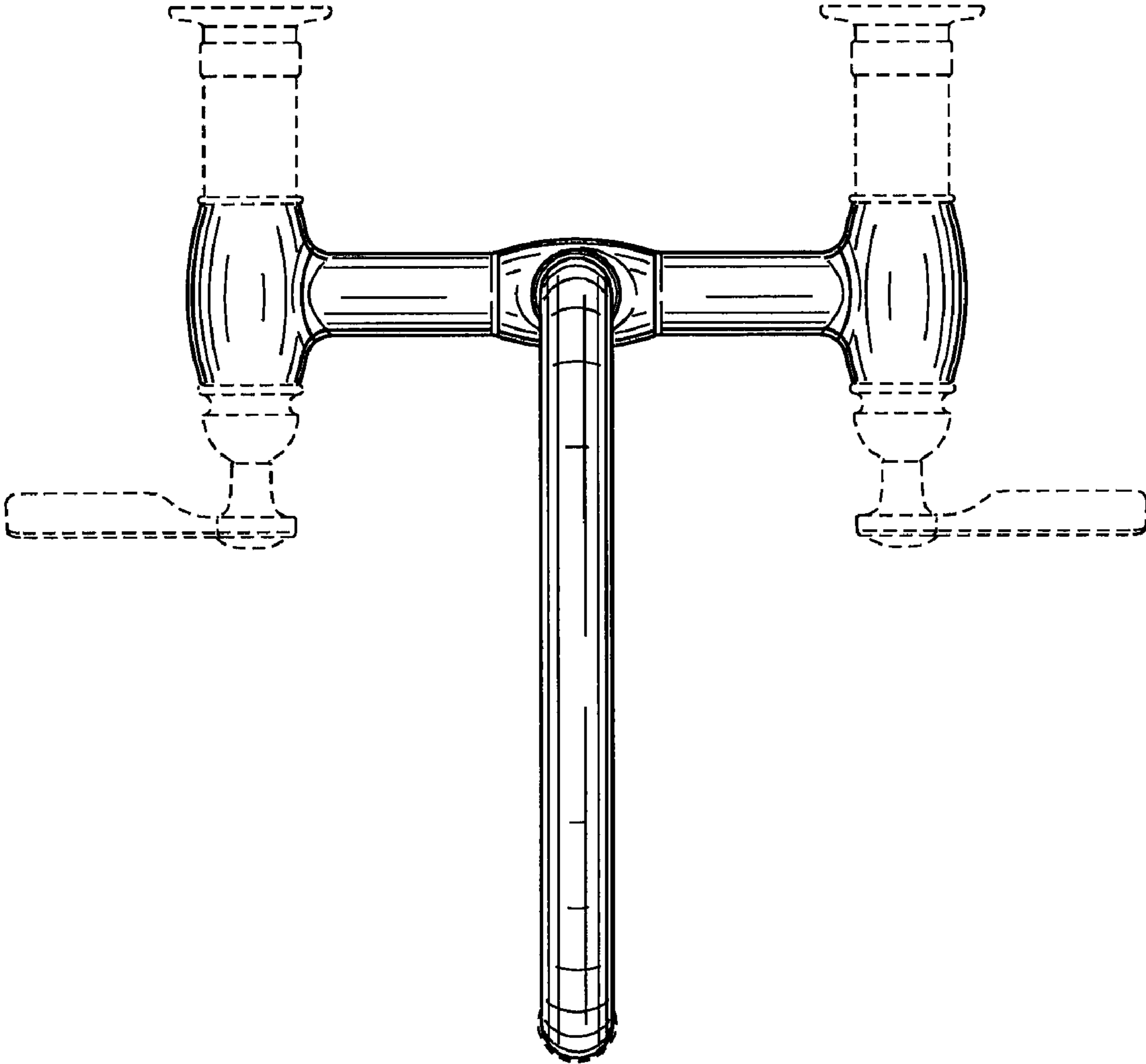


FIG. 3

FIG. 4



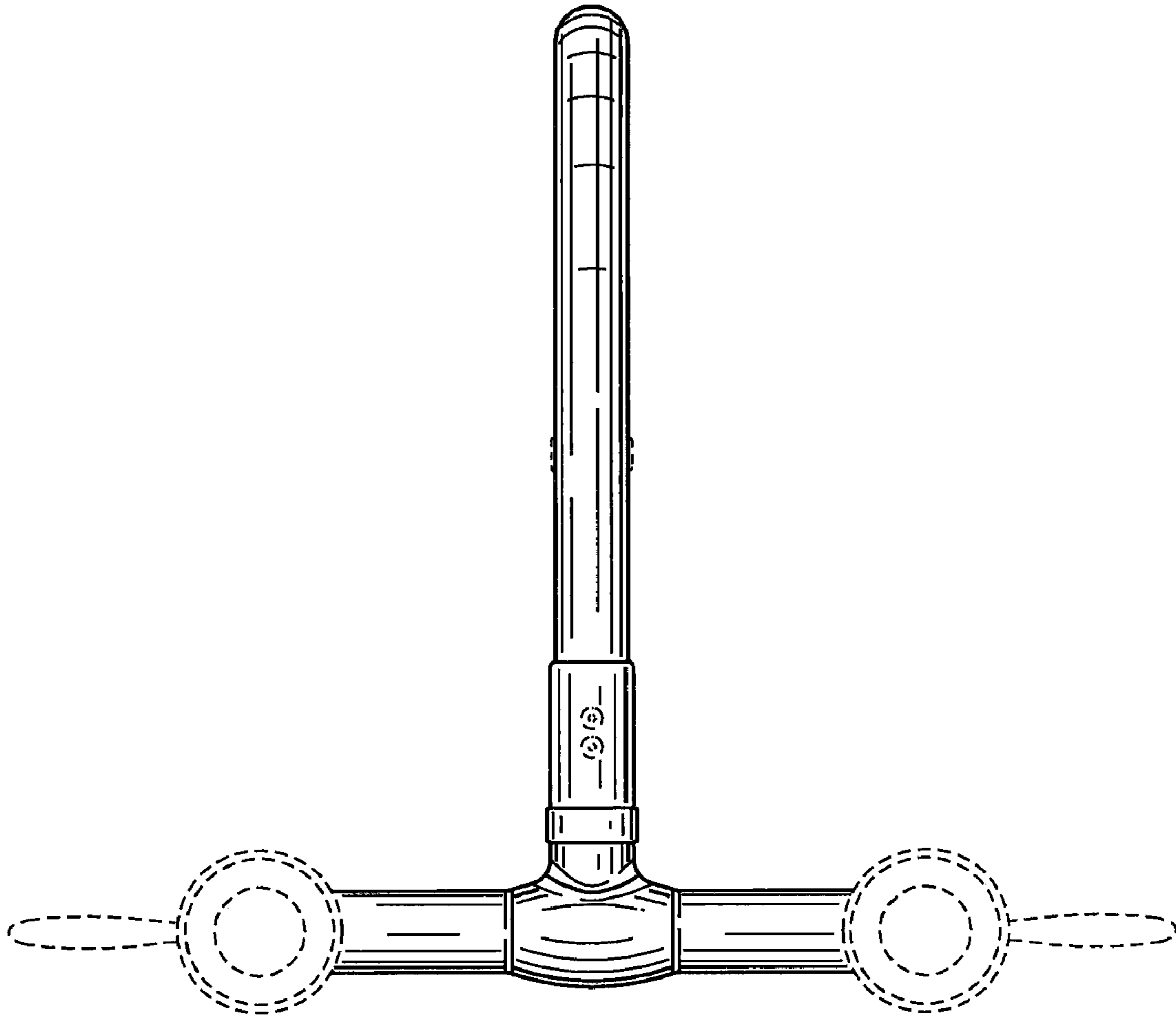


FIG. 5

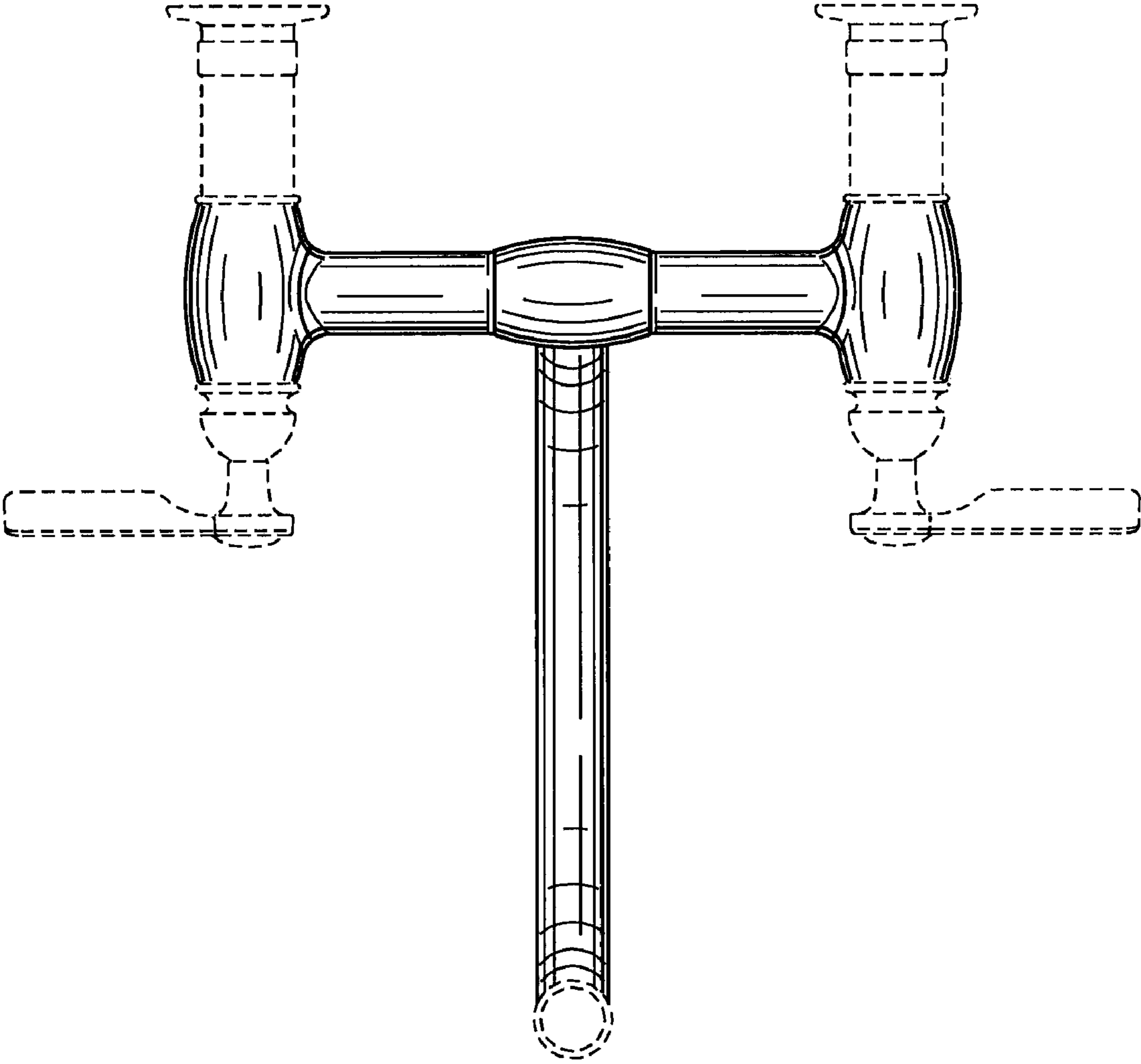


FIG. 6