



US00D577104S

(12) **United States Design Patent**
Latorraca

(10) **Patent No.:** **US D577,104 S**

(45) **Date of Patent:** **** Sep. 16, 2008**

(54) **TAP**

(75) Inventor: **Massimo Latorraca**, Invario Novara
(IT)

(73) Assignee: **La Torre S.p.A.**, Novara (IT)

(**) Term: **14 Years**

(21) Appl. No.: **29/291,038**

(22) Filed: **Aug. 9, 2007**

(30) **Foreign Application Priority Data**

Apr. 2, 2007 (EM) 000700273

(51) **LOC (8) Cl.** **23-01**

(52) **U.S. Cl.** **D23/238**

(58) **Field of Classification Search** D23/200,
D23/238-257; D6/512, 546, 550; D8/300,
D8/307-308, 310-312, 321; 4/675-678;
137/801; 16/110.1, 441

See application file for complete search history.

(56) **References Cited**

U.S. PATENT DOCUMENTS

D517,647 S * 3/2006 Kulig D23/238
D528,636 S * 9/2006 Latoracca D23/238
D529,991 S * 10/2006 Egli et al. D23/238

D531,699 S * 11/2006 Haug et al. D23/238

D532,084 S * 11/2006 Toyohara D23/238

D541,381 S * 4/2007 Haug et al. D23/238

D548,308 S * 8/2007 Hoernig D23/238

D555,770 S * 11/2007 Belisle D23/238

* cited by examiner

Primary Examiner—Robert A. Delehanty

Assistant Examiner—Mark Cavanna

(74) *Attorney, Agent, or Firm*—James V. Costigan; Hedman
& Costigan, P.C.

(57) **CLAIM**

The ornamental design for a tap, as shown and described.

DESCRIPTION

FIG. 1 is a side perspective view of the invention;

FIG. 2 is a right side view of the invention;

FIG. 3 is a left side view of the invention;

FIG. 4 is a front view of the invention;

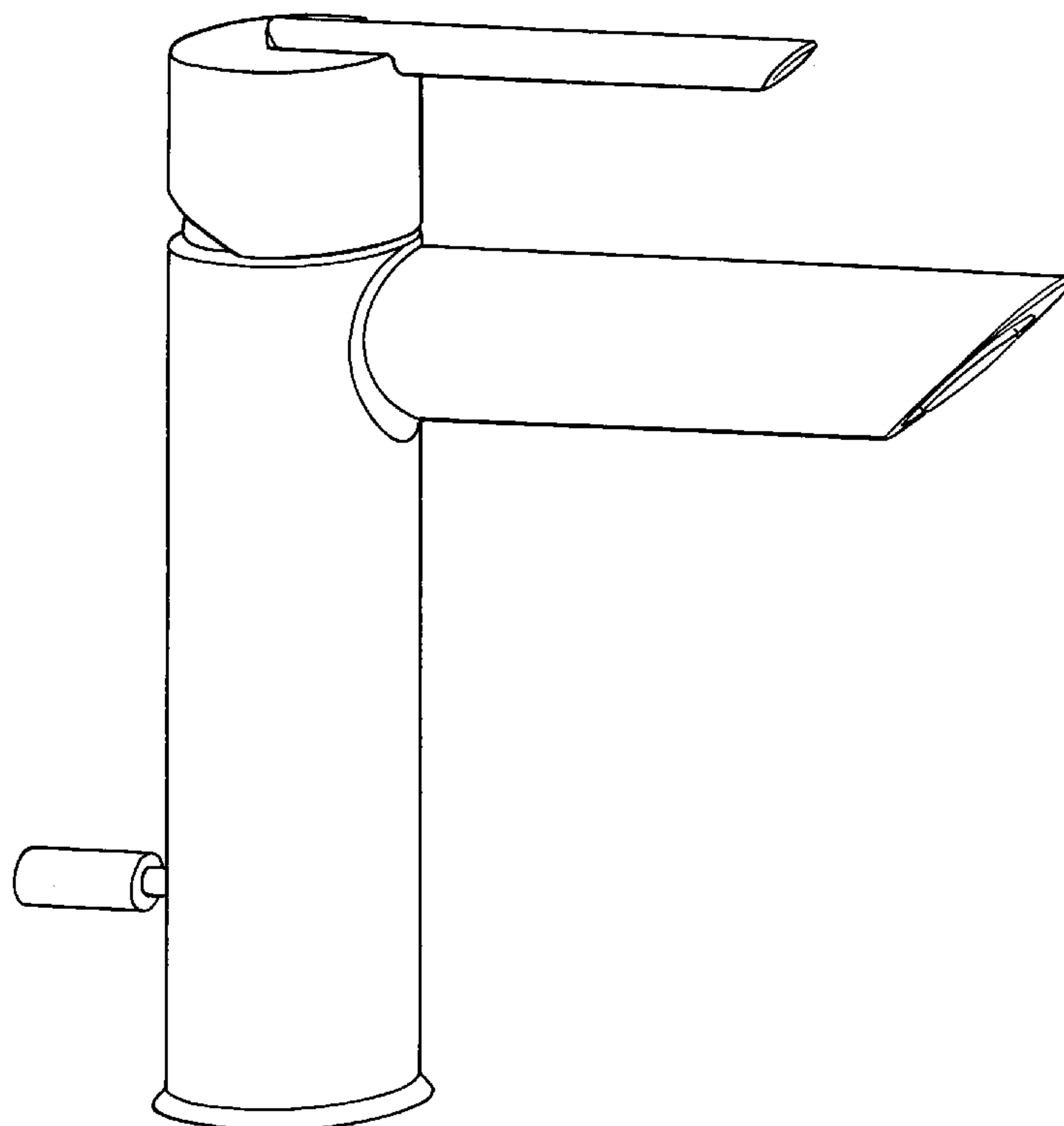
FIG. 5 is a back view of the invention;

FIG. 6 is a top view of the invention; and,

FIG. 7 is a bottom view of the invention.

The broken lines are included for the purpose of illustrating a portion of the tap that forms no part of the claimed design.

1 Claim, 6 Drawing Sheets



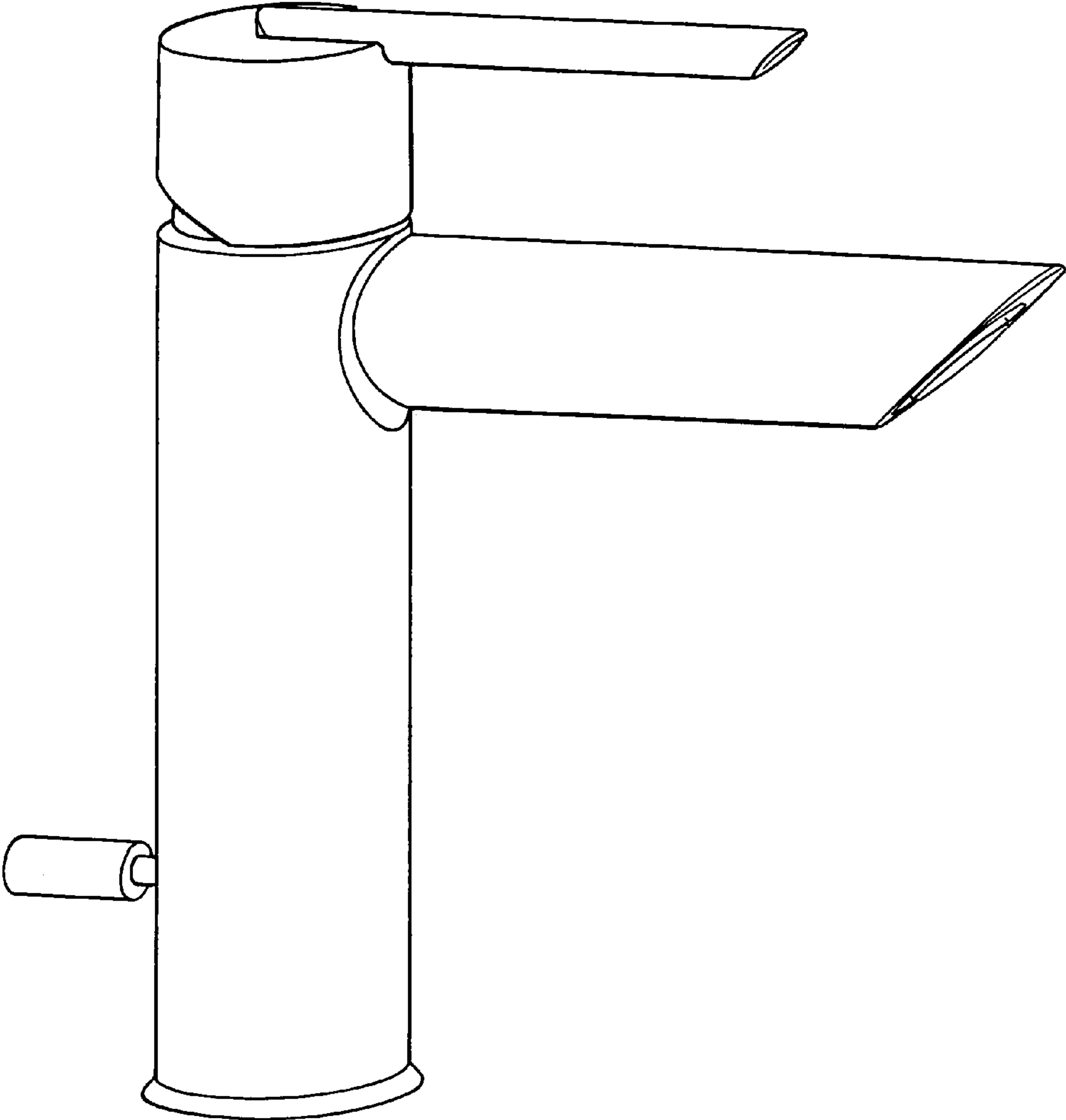


FIG 1

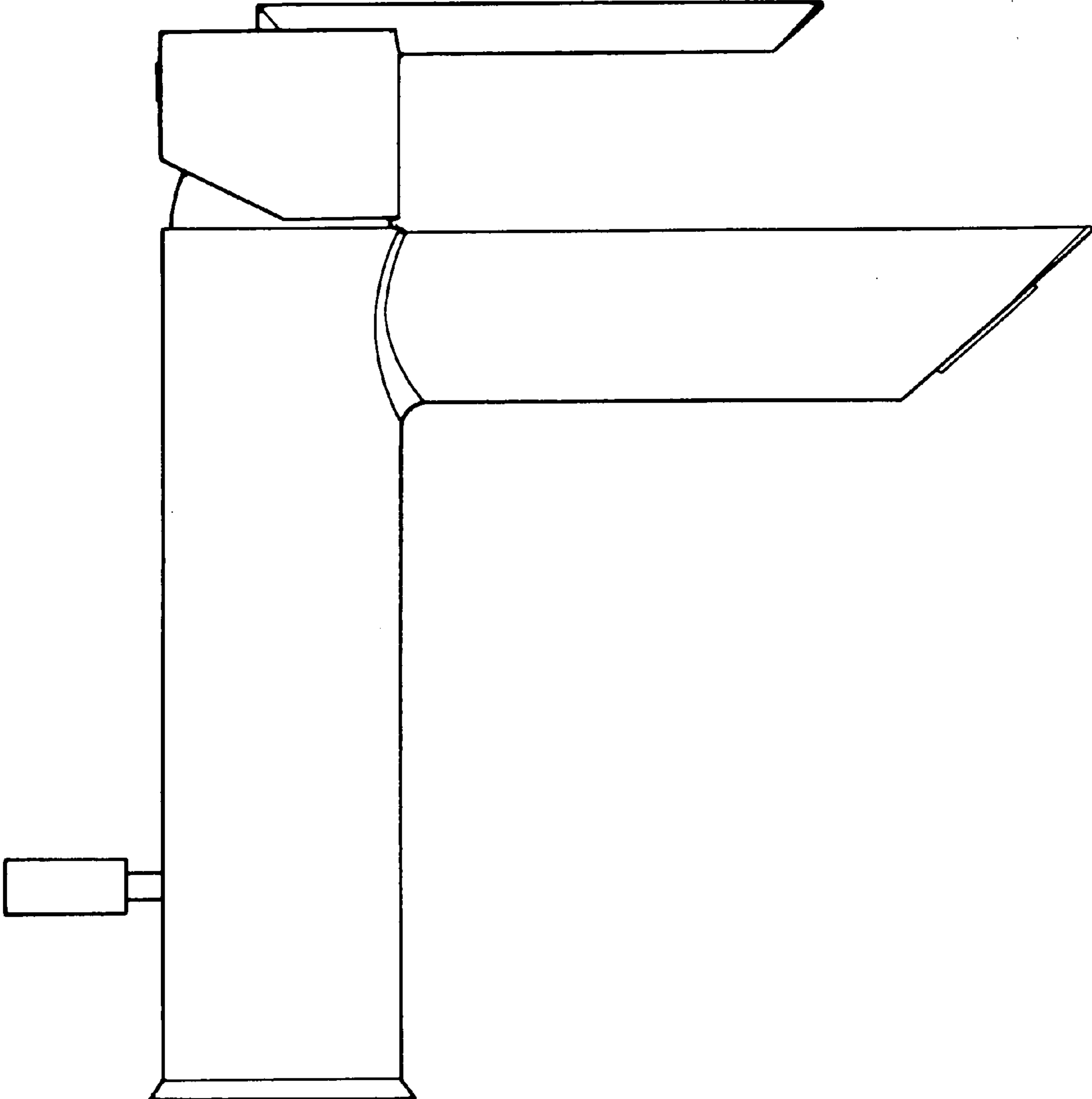


FIG 2

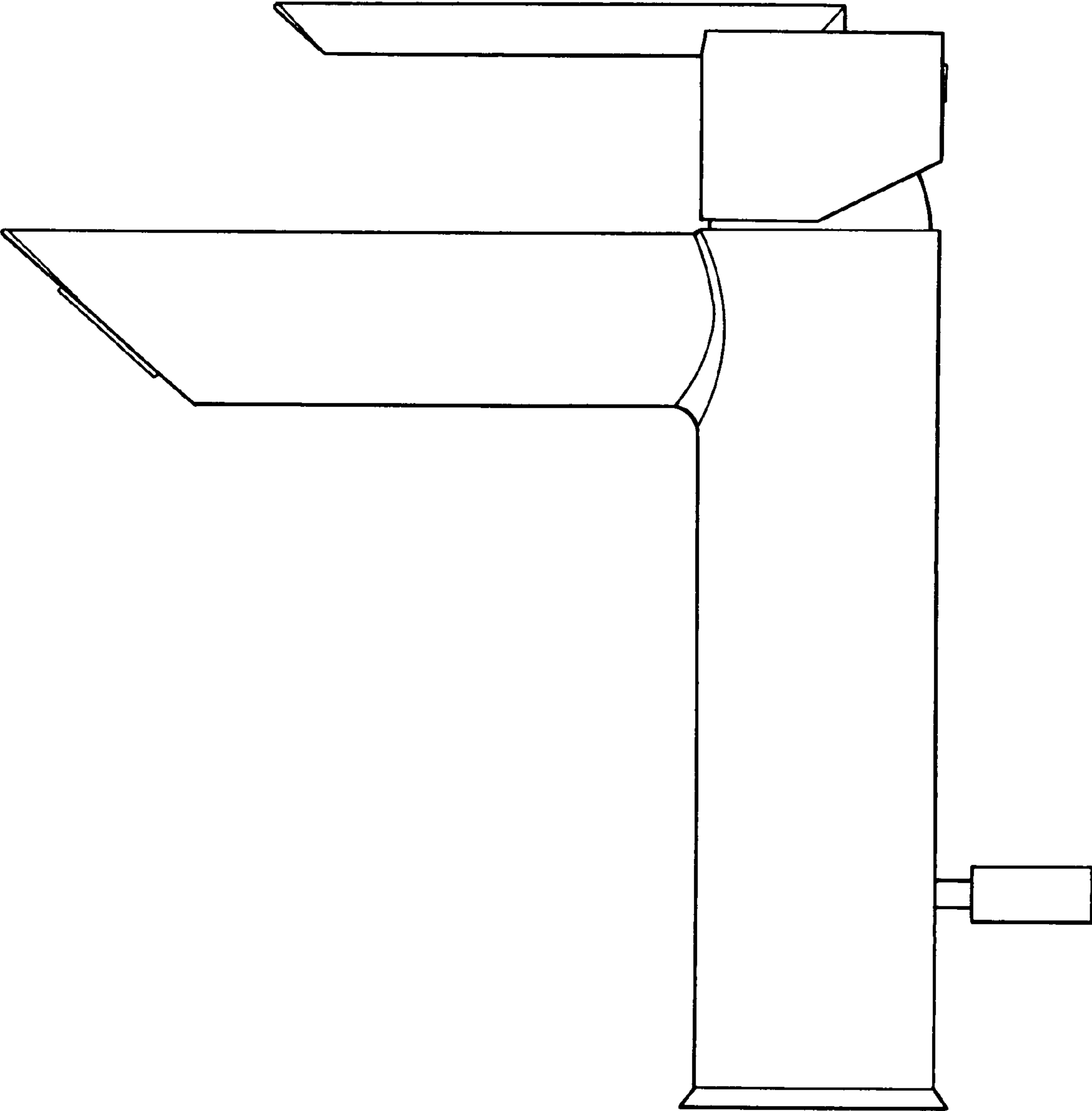


FIG 3

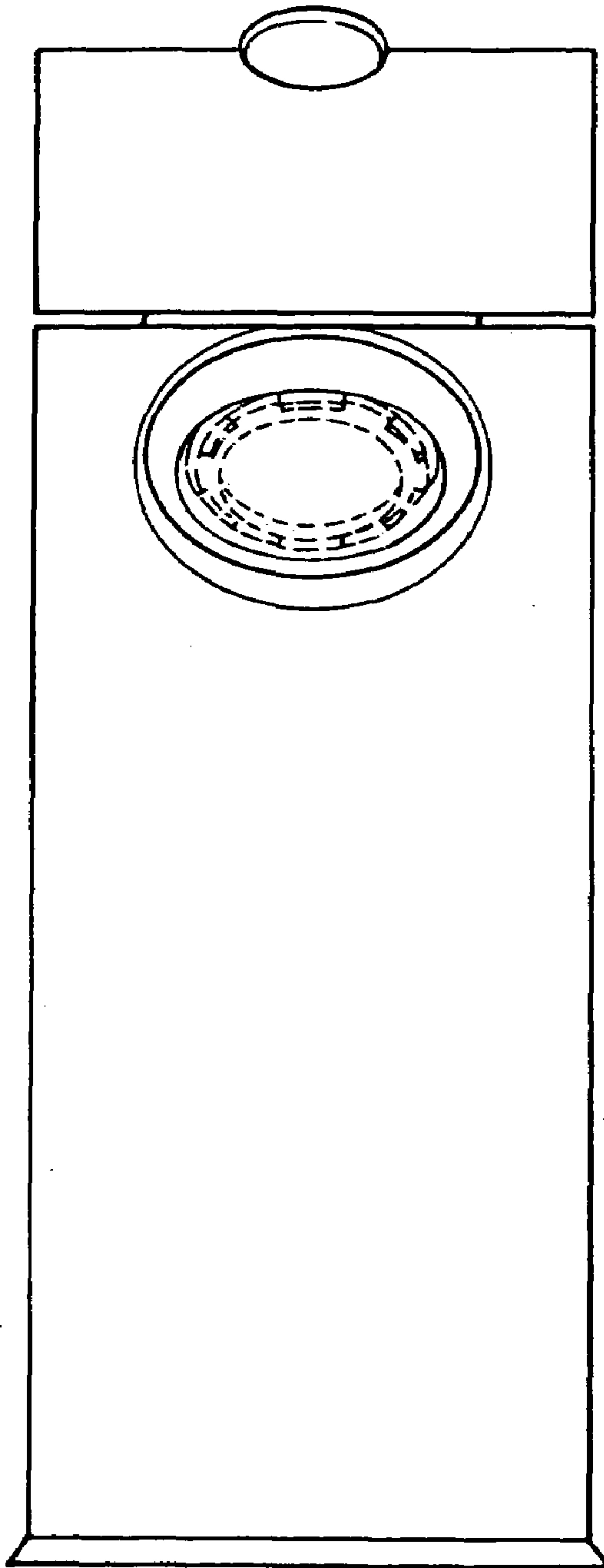


FIG 4

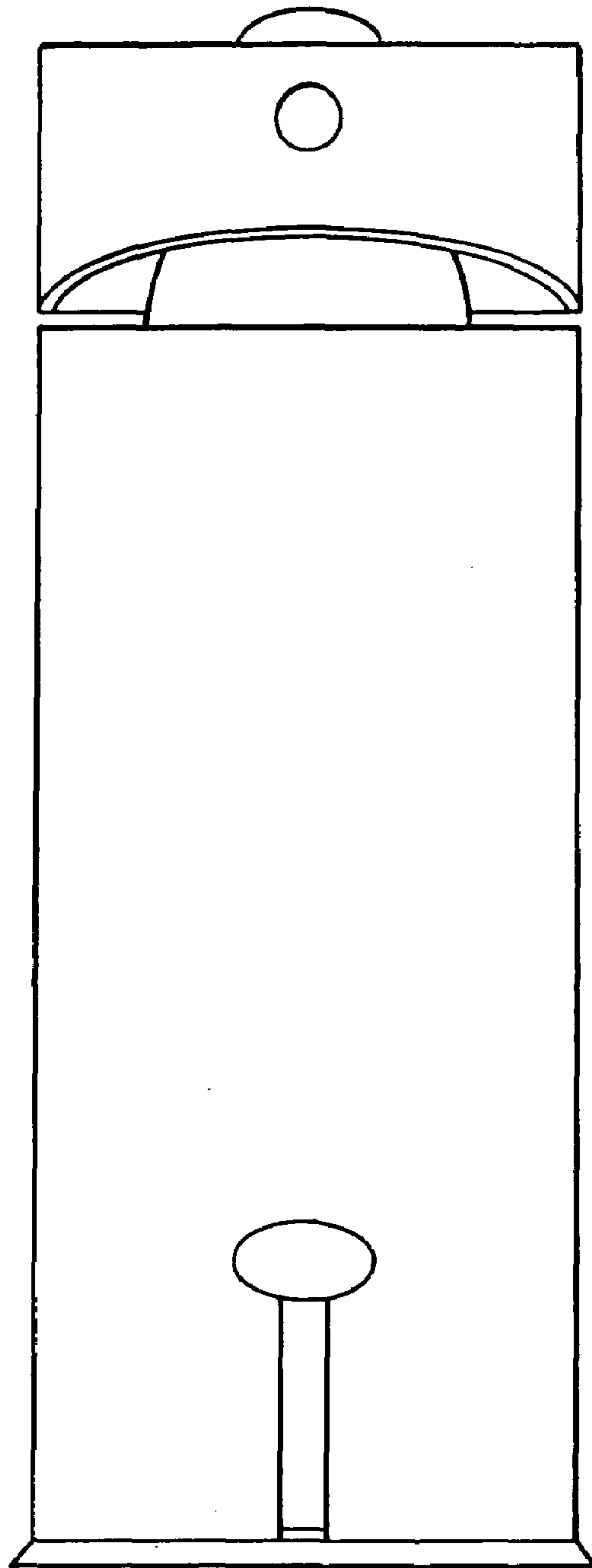


FIG 5

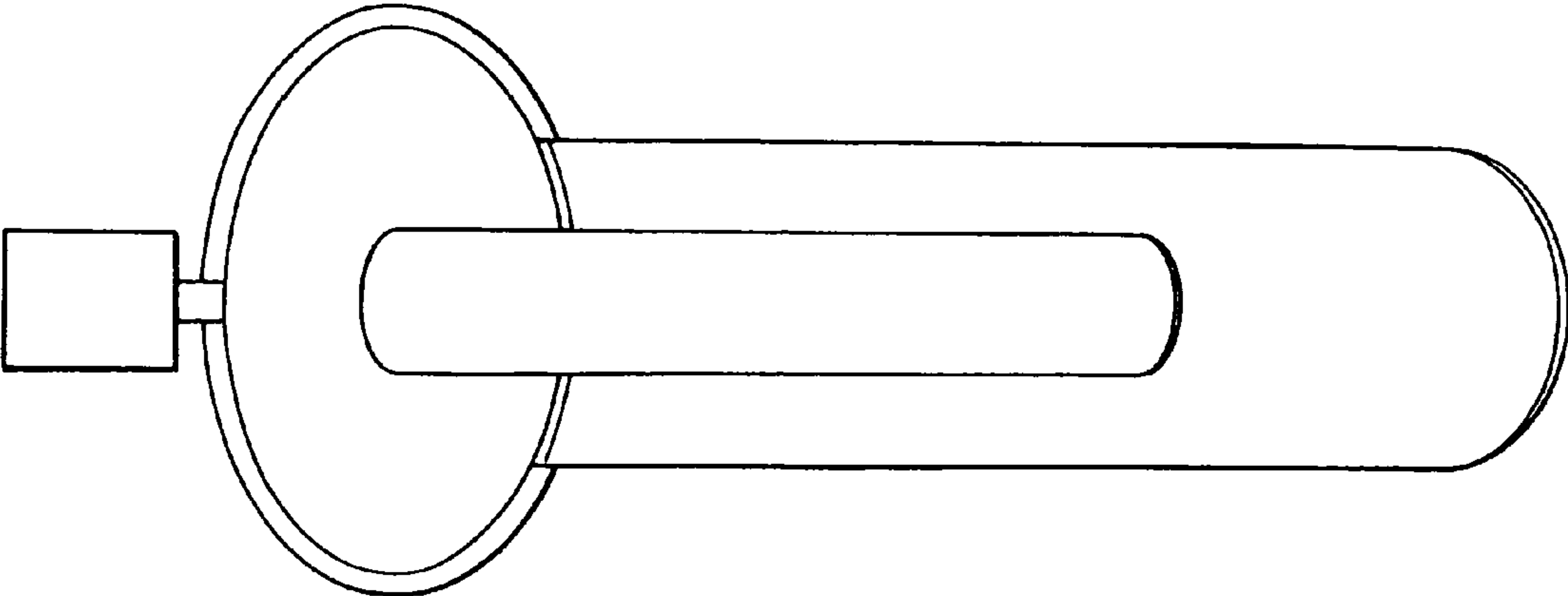


FIG 6

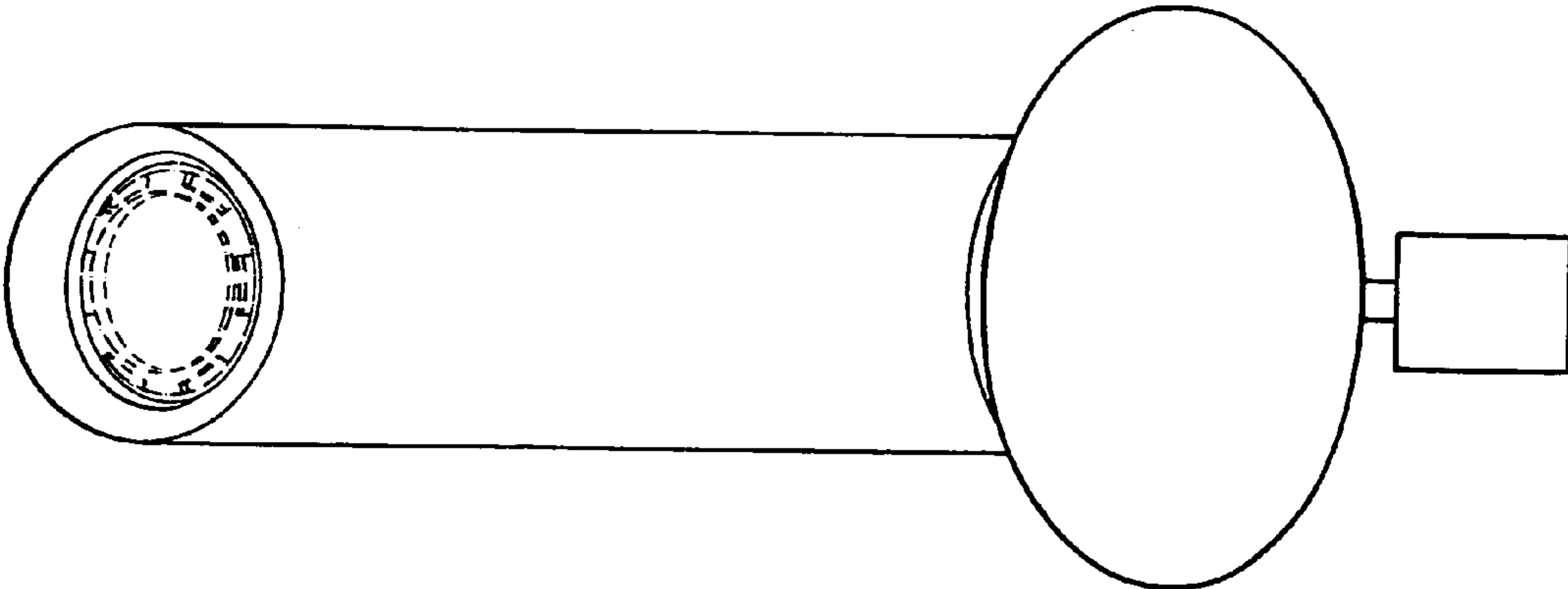


FIG 7