



US00D577103S

(12) **United States Design Patent**
Caron et al.

(10) **Patent No.:** **US D577,103 S**
(45) **Date of Patent:** **** Sep. 16, 2008**

(54) **REGULATOR VALVE**

(75) Inventors: **Joseph Michael Caron**, Summit, NJ
(US); **Gerald Gramegna**, Saddle Brook,
NJ (US)

(73) Assignee: **Versa Products Company, Inc.**,
Paramus, NJ (US)

(**) Term: **14 Years**

(21) Appl. No.: **29/299,163**

(22) Filed: **Dec. 20, 2007**

D449,051 S *	10/2001	Miyashita	D15/1
D453,522 S *	2/2002	Maeda et al.	D15/1
D491,193 S *	6/2004	Davis	D15/1
D503,410 S *	3/2005	Kato	D15/1
D520,520 S *	5/2006	Nimberger	D15/5
D527,020 S *	8/2006	Miyazaki et al.	D15/3
D529,046 S *	9/2006	Maeda et al.	D15/1
D535,722 S *	1/2007	Nimberger	D23/233
D538,889 S *	3/2007	Marstorp	D23/233
D539,386 S *	3/2007	Hayashi et al.	D23/233
D539,387 S *	3/2007	Donovan et al.	D23/233
D542,382 S *	5/2007	Cook et al.	D23/233
D544,883 S *	6/2007	Nimberger	D15/5
D553,156 S *	10/2007	Nimberger	D15/5
D556,234 S *	11/2007	Pena Angarita	D16/203

Related U.S. Application Data

(62) Division of application No. 29/246,662, filed on May
1, 2006, now Pat. No. Des. 566,234.

(51) **LOC (8) Cl.** **23-01**

(52) **U.S. Cl.** **D23/233**

(58) **Field of Classification Search** D23/233-237,
D23/244-249; D15/5; 192/87.13, 87.18,
192/3.57; 251/129.01, 129.08, 129.07, 137,
251/282, 324-325, 321, 355

See application file for complete search history.

(56) **References Cited**

U.S. PATENT DOCUMENTS

3,435,850 A *	4/1969	Male	
5,167,253 A *	12/1992	Fournier et al. 137/504
D414,498 S *	9/1999	Yoshida D15/1
D416,265 S *	11/1999	Kato et al. D15/1
D439,634 S *	3/2001	Hayashi et al. D23/233

* cited by examiner

Primary Examiner—Ian Simmons

Assistant Examiner—Maurice Stevens

(74) *Attorney, Agent, or Firm*—Greenlee, Winner and
Sullivan, P.C.

(57) **CLAIM**

The ornamental design for a regulator valve, as shown and
described.

DESCRIPTION

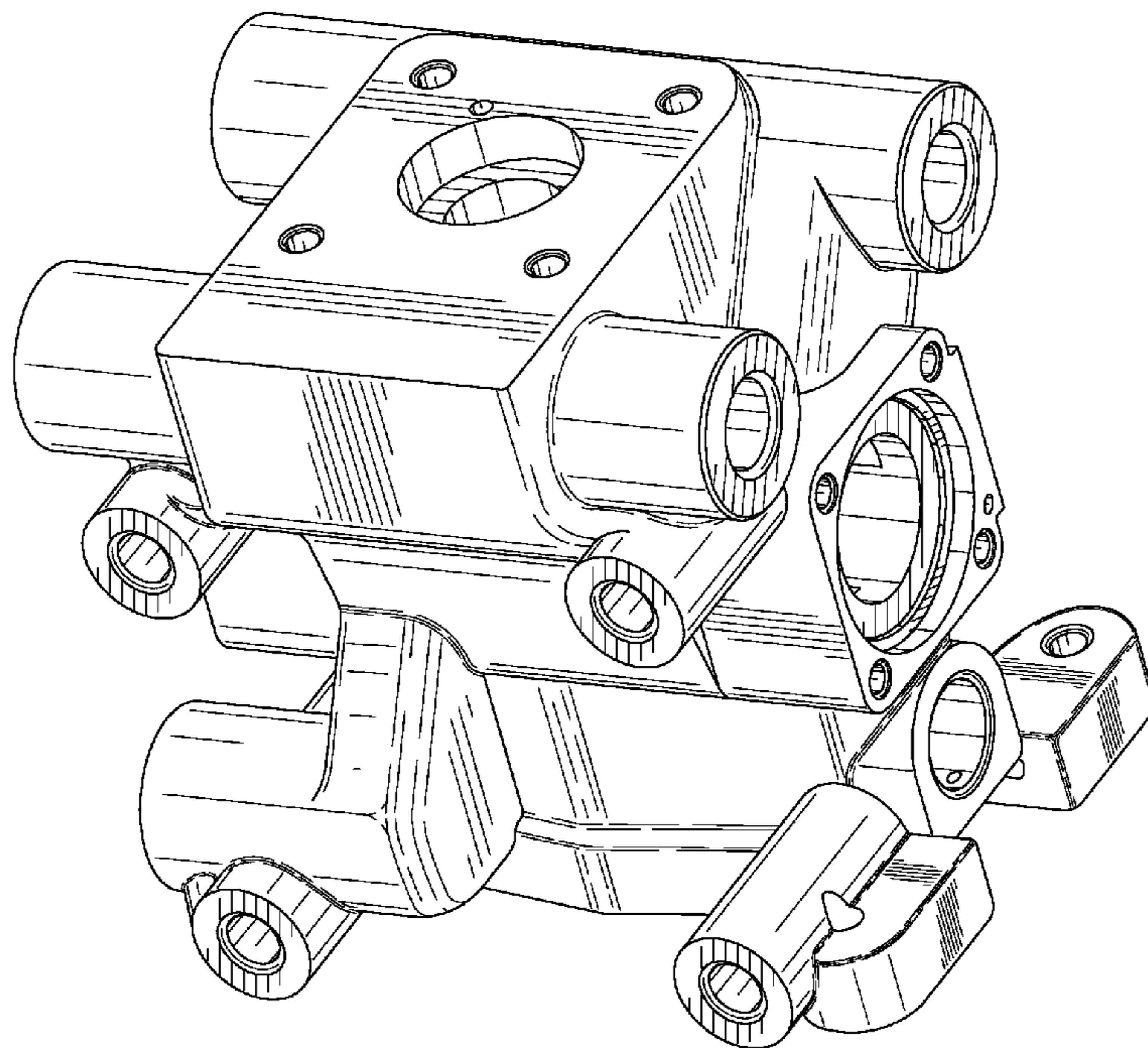
FIG. 1 is a rear, top and right perspective view of a regulator
valve showing our new design;

FIG. 2 is a front, top and left view thereof;

FIG. 3 is a left, rear and bottom view thereof; and,

FIG. 4 is a rear, top and right view thereof.

1 Claim, 4 Drawing Sheets



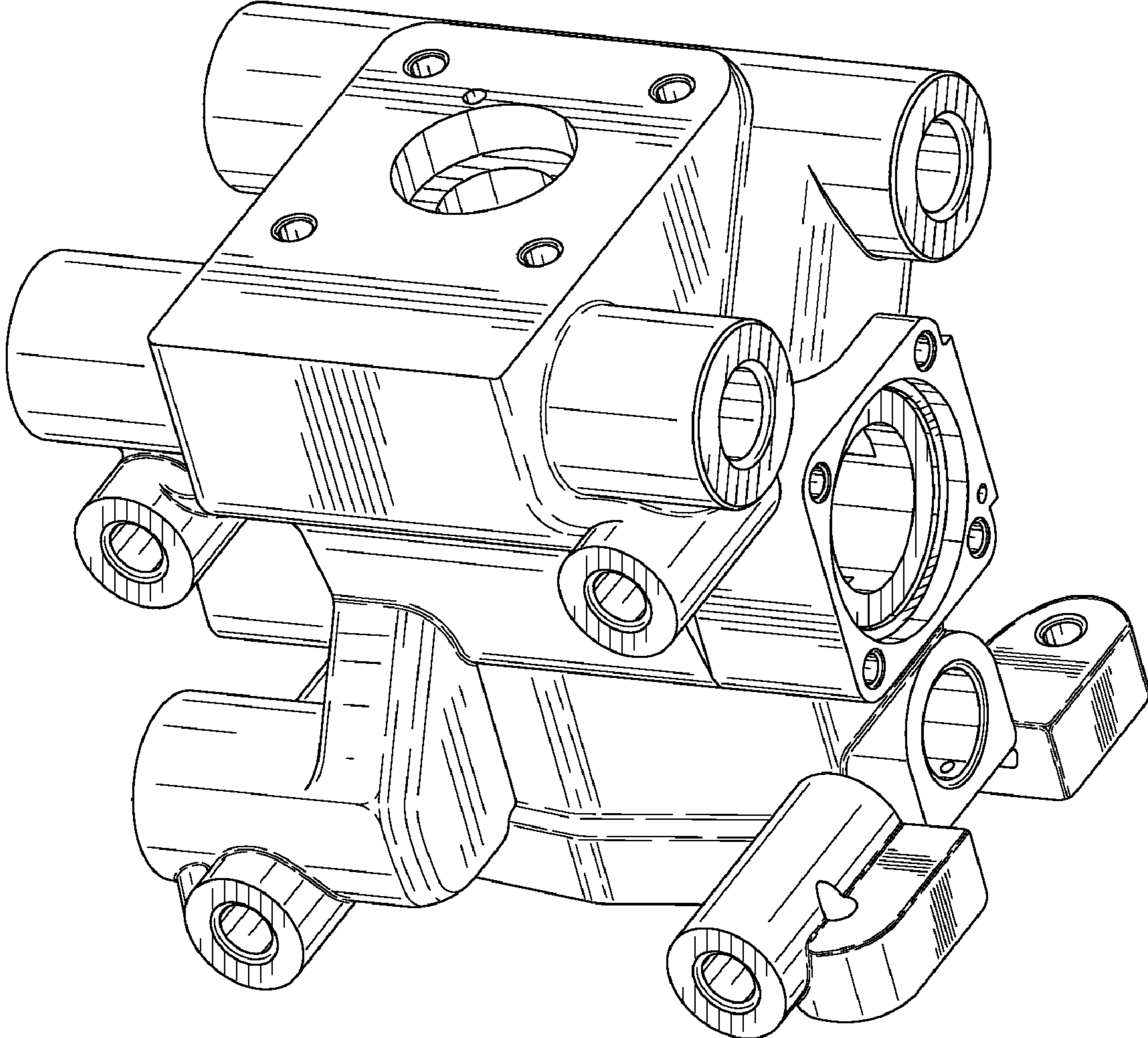


FIG. 1

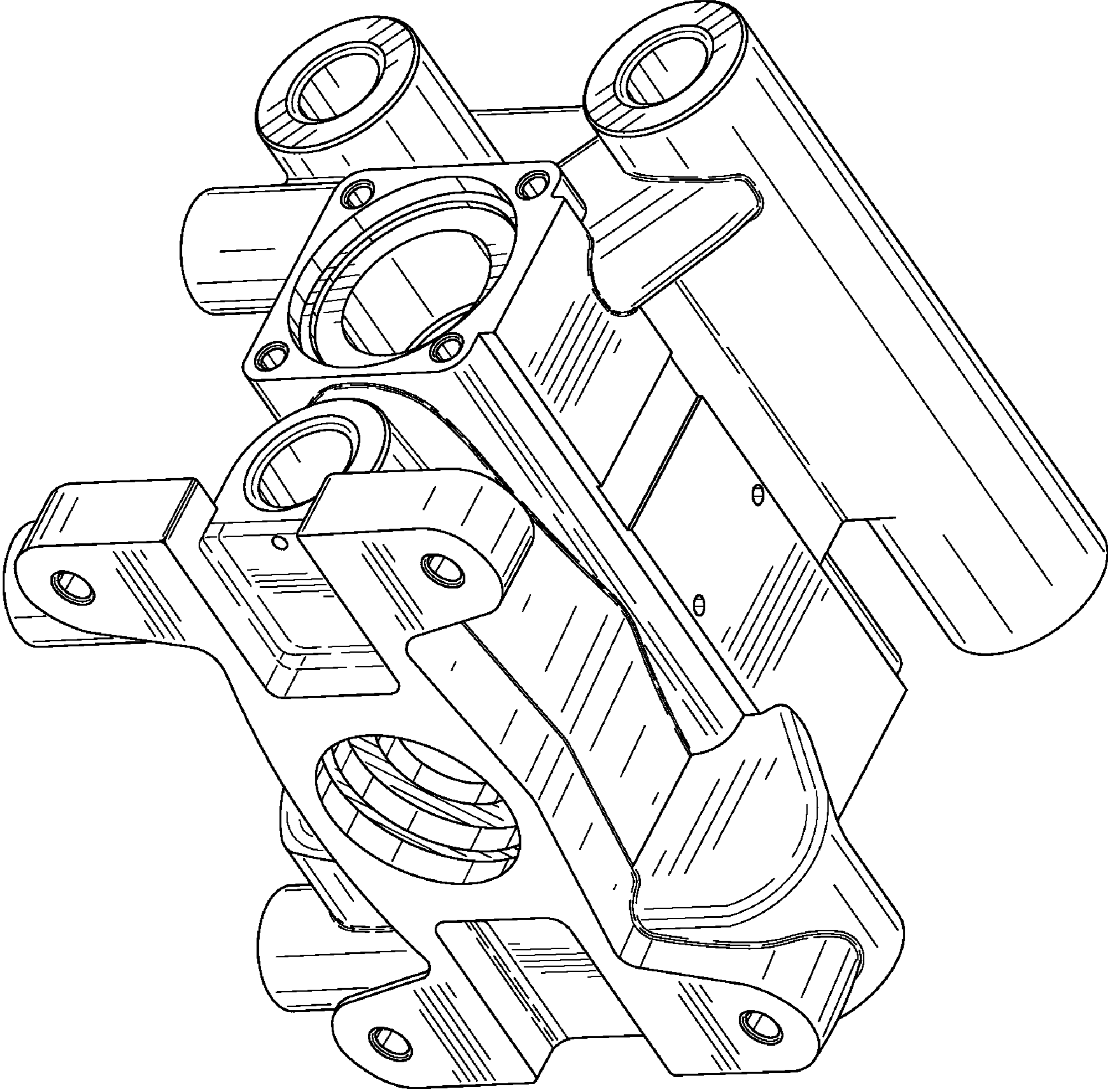


FIG. 2

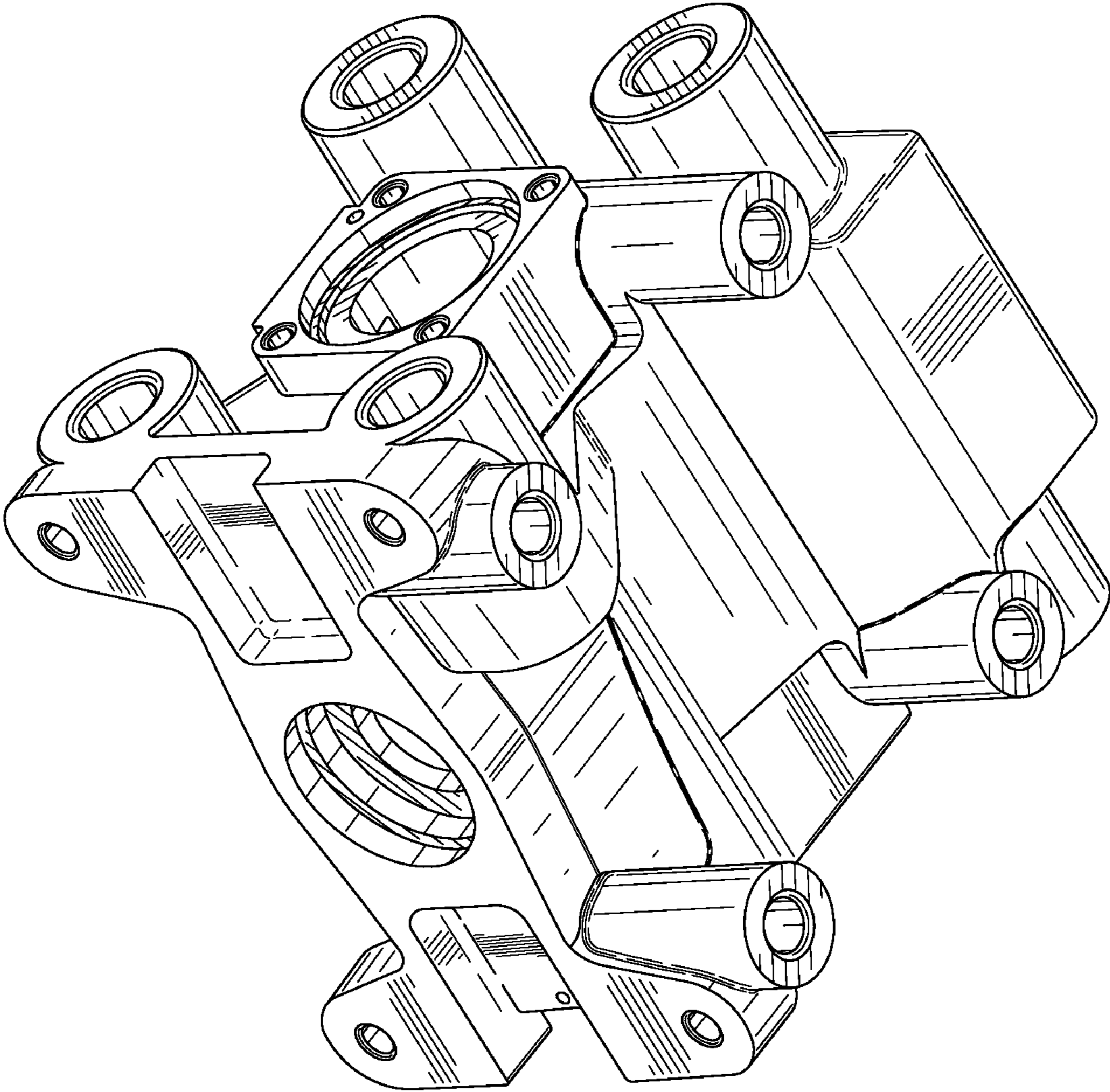


FIG. 3

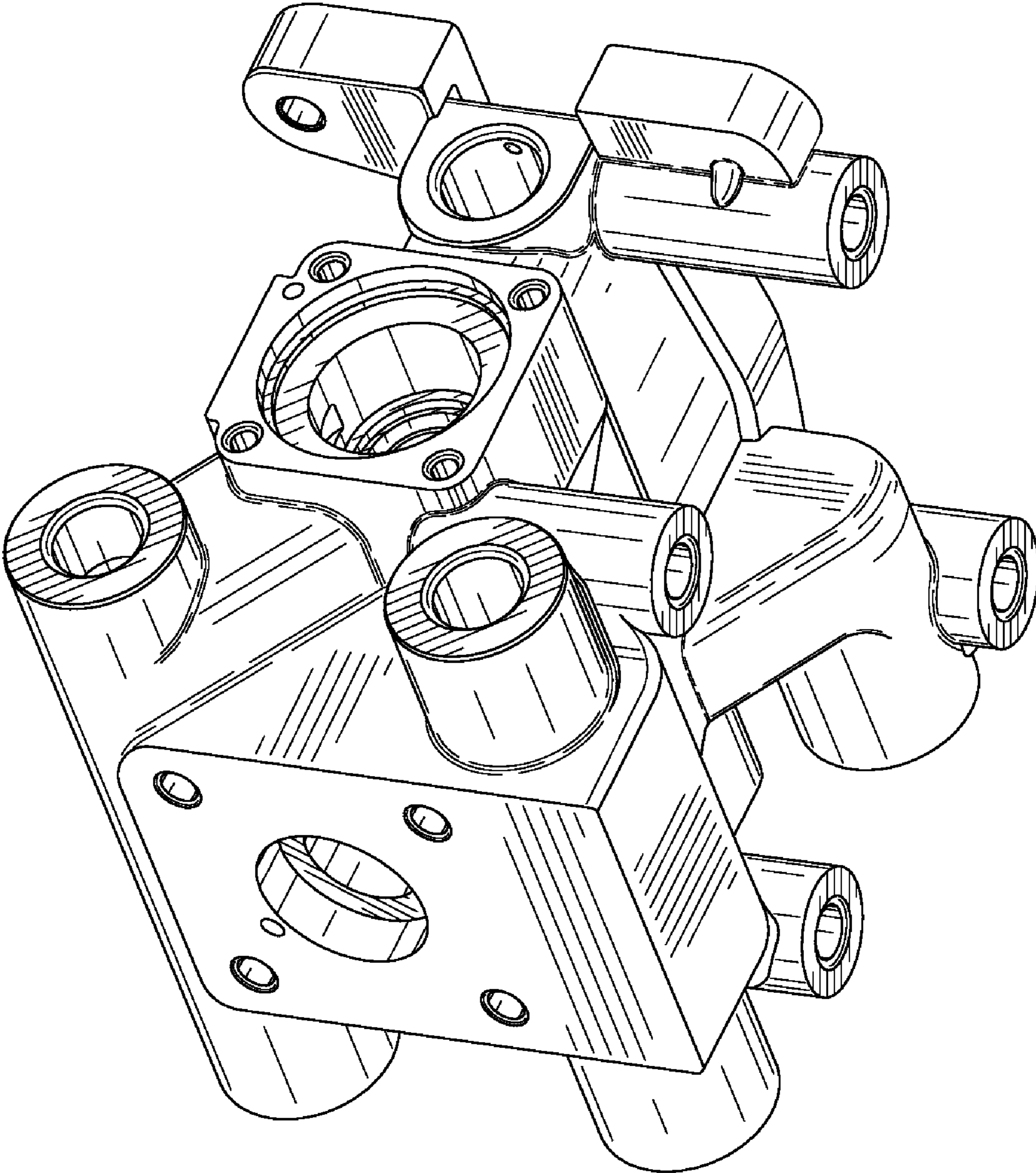


FIG. 4