



US00D577102S

(12) **United States Design Patent**  
**Eshet et al.**

(10) **Patent No.:** **US D577,102 S**  
(45) **Date of Patent:** **\*\* Sep. 16, 2008**

(54) **IRRIGATION APPARATUS-VARIABLE JET HOSE PISTOL**

*Primary Examiner*—Robin V Webster  
(74) *Attorney, Agent, or Firm*—Fennemore Craig, P.C.

(75) Inventors: **Assaf Eshet**, Tel-Aviv (IL); **Oded Davidovitch**, Tel-Aviv (IL)

(57) **CLAIM**

(73) Assignee: **Elgo Irrigation Ltd.**, Caesarea (IL)

The ornamental design for an irrigation apparatus-variable jet hose pistol, as shown and described.

(\*\*) Term: **14 Years**

(21) Appl. No.: **29/296,957**

(22) Filed: **Oct. 31, 2007**

**DESCRIPTION**

(51) **LOC (8) Cl.** ..... **23-01**

(52) **U.S. Cl.** ..... **D23/226**

(58) **Field of Classification Search** ..... D23/213,  
D23/223, 226; 239/525–527

See application file for complete search history.

FIG. 1 is an illustrative top plan view of an irrigation apparatus-variable jet hose pistol showing our new design;

FIG. 2 is a bottom view thereof;

FIG. 3 is a side elevational view thereof; and

FIG. 4 is an opposite side elevational view of the irrigation apparatus-variable jet hose pistol of FIG. 3;

FIG. 5 is a rear elevational view thereof; and,

FIG. 6 is a perspective view thereof.

The broken lines showing of the pistol is for illustrative purposes only and forms no part of the claimed design.

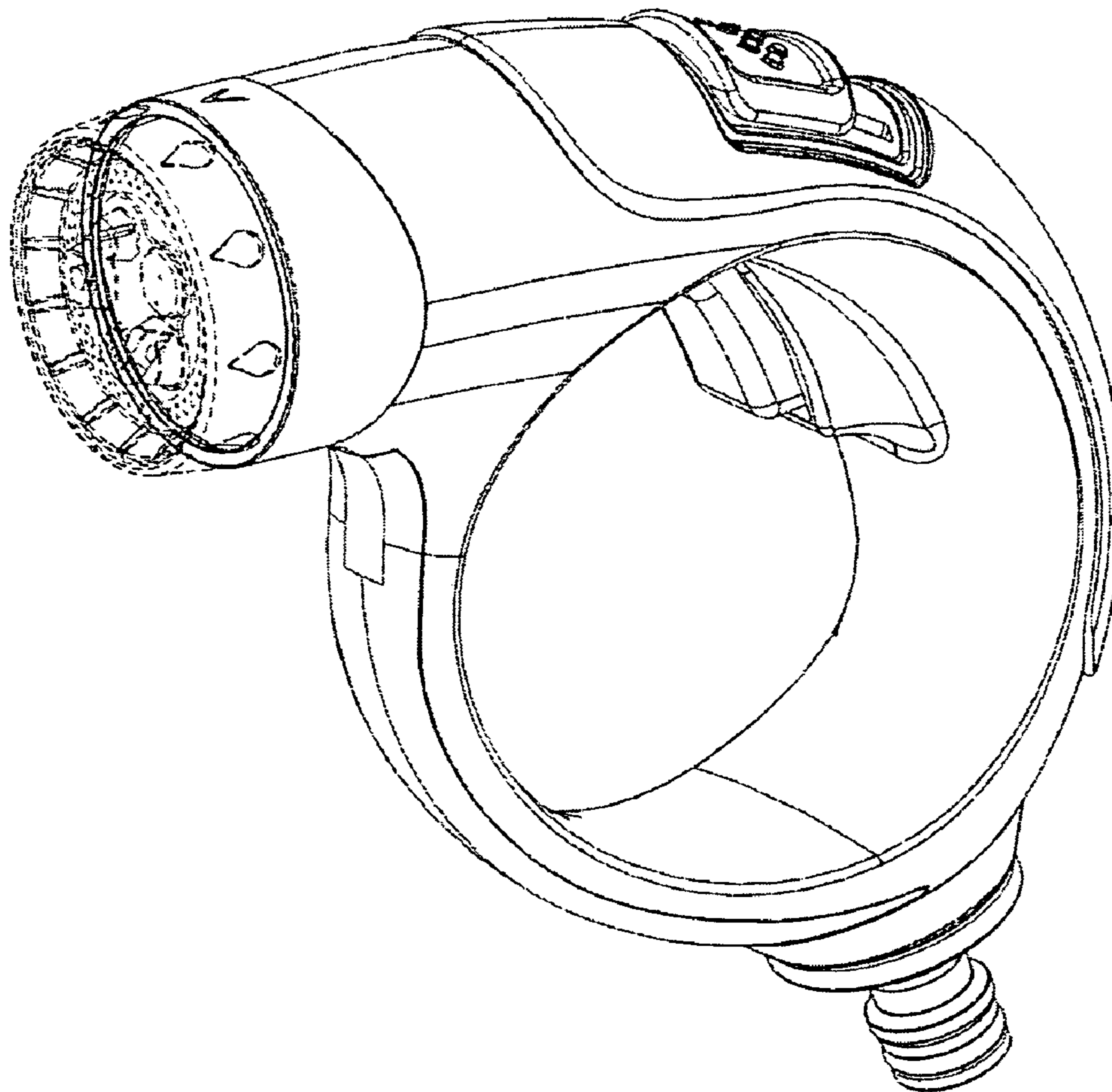
(56) **References Cited**

U.S. PATENT DOCUMENTS

- D489,791 S \* 5/2004 Chen ..... D23/223
- D511,808 S \* 11/2005 Chen ..... D23/223
- D556,008 S \* 11/2007 Kerr ..... D8/107

\* cited by examiner

**1 Claim, 6 Drawing Sheets**



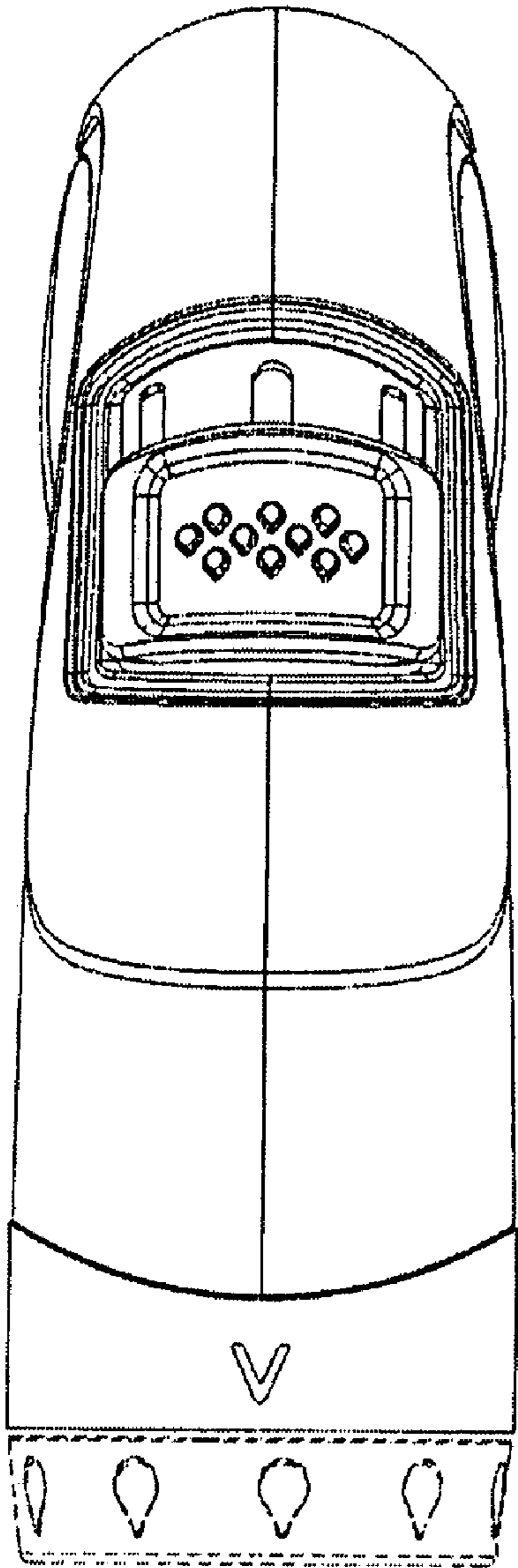


FIG. 1

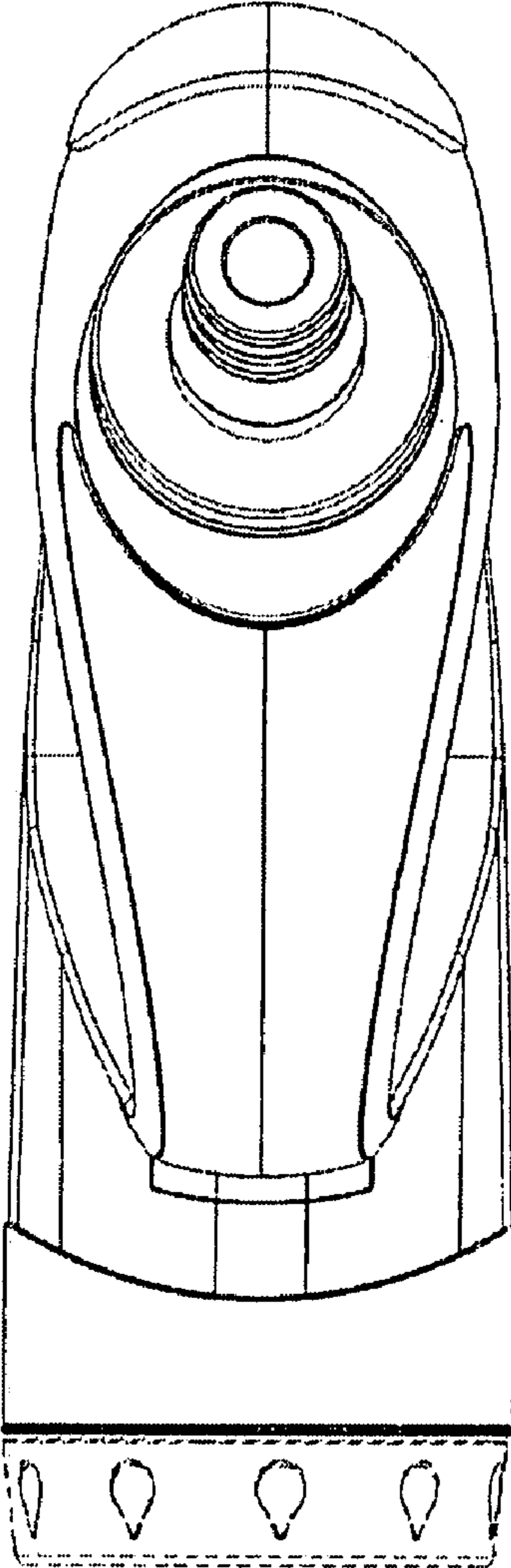


FIG. 2

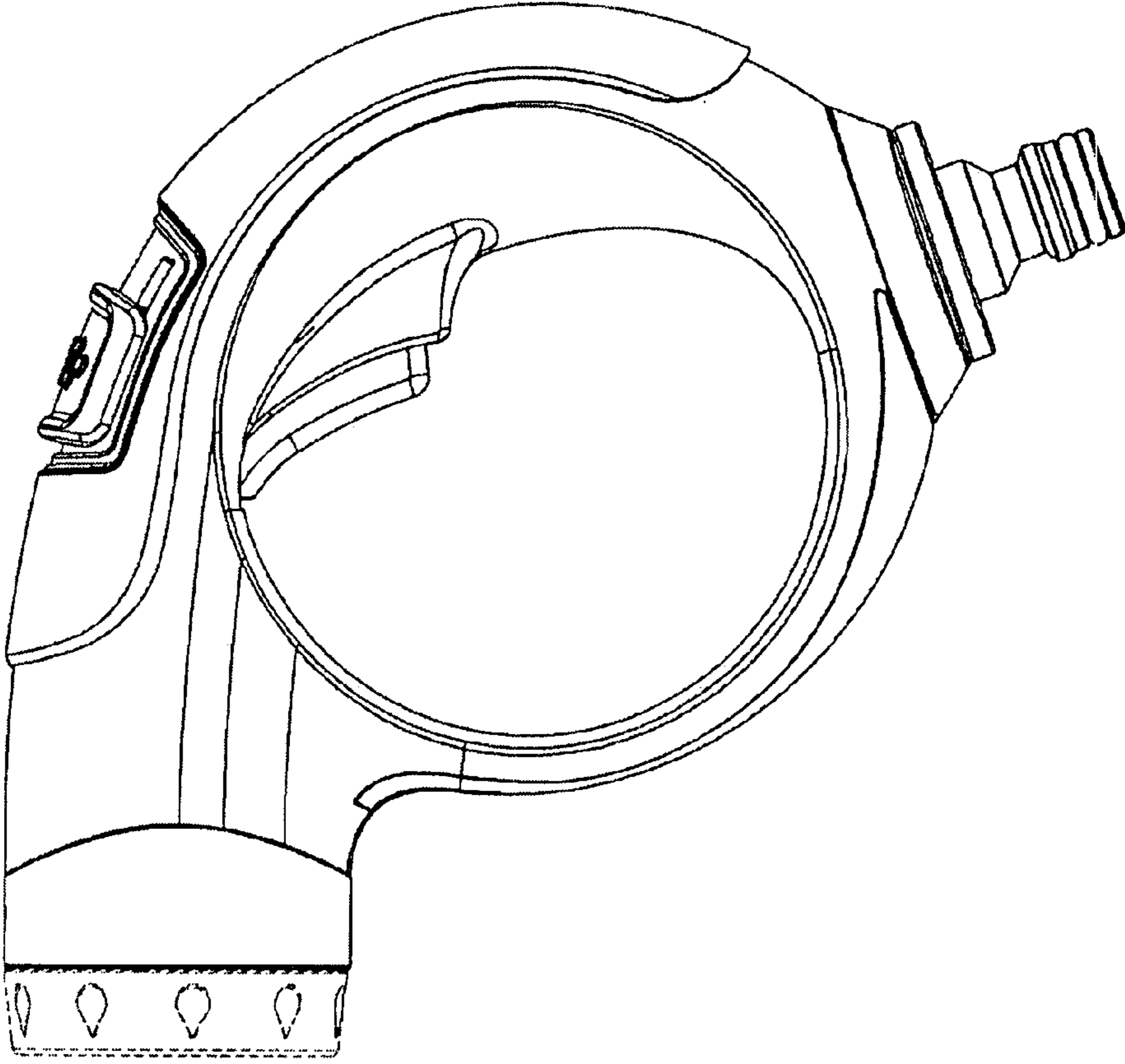


FIG. 3

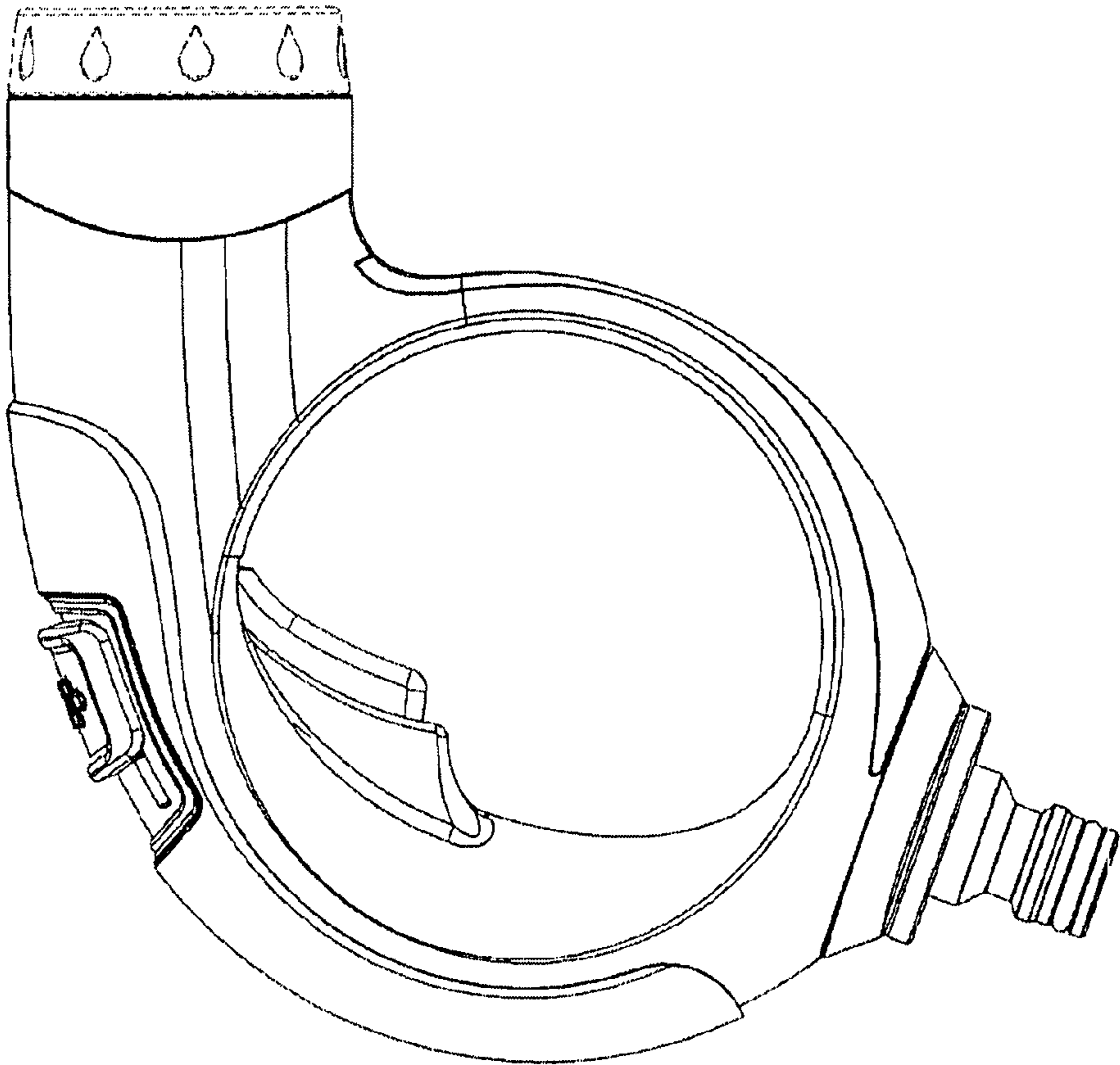


FIG. 4

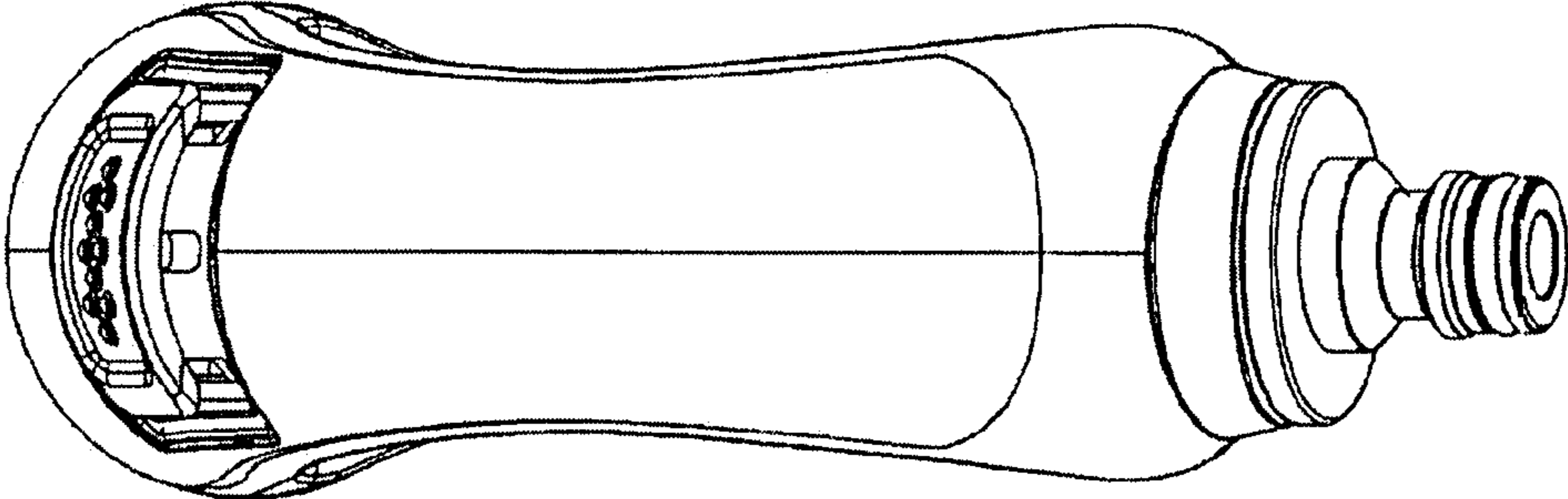


FIG. 5

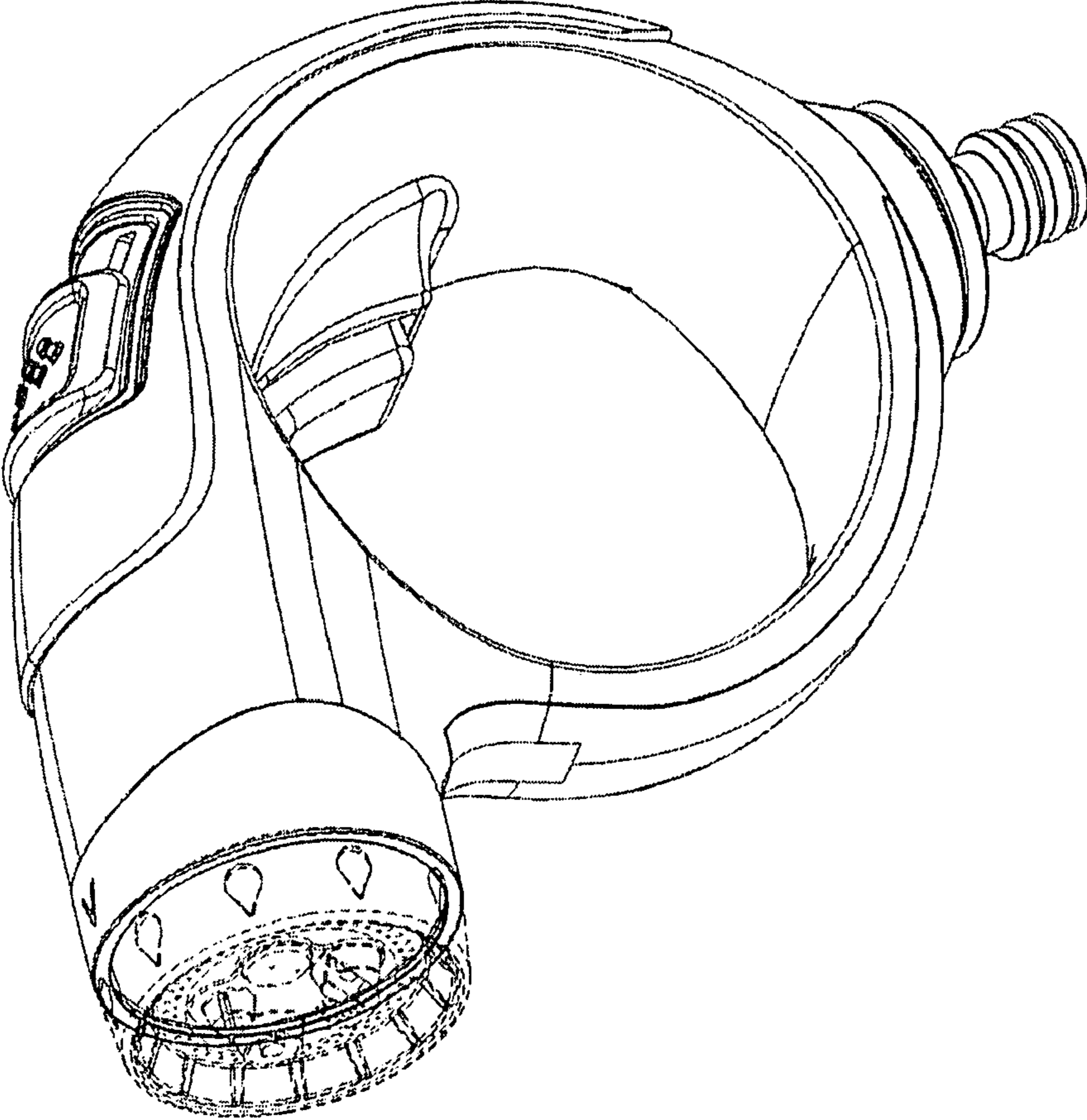


FIG. 6