



US00D577101S

(12) **United States Design Patent**
Kong et al.

(10) **Patent No.:** **US D577,101 S**
(45) **Date of Patent:** **** Sep. 16, 2008**

(54) **SHOWERHEAD**

(75) Inventors: **Duck Young Kong**, Watertown, MA (US); **Michael R. Furseth**, Sheboygan Falls, WI (US)

(73) Assignee: **Kohler Co.**, Kohler, WI (US)

(**) Term: **14 Years**

(21) Appl. No.: **29/295,818**

(22) Filed: **Oct. 8, 2007**

(51) **LOC (8) Cl.** **23-01**

(52) **U.S. Cl.** **D23/213**

(58) **Field of Classification Search** D23/213,
D23/223, 229–230; 239/282–283; D24/201
See application file for complete search history.

(56) **References Cited**

U.S. PATENT DOCUMENTS

D128,220 S	7/1941	Werner	
D371,187 S	6/1996	Ryynanen	
D427,662 S *	7/2000	Coscarelli	D23/229
D486,888 S *	2/2004	Lobermeier	D23/229
D500,121 S	12/2004	Blomstrom	
D506,242 S *	6/2005	Spangler	D23/213
D512,119 S	11/2005	Haug et al.	
D512,120 S	11/2005	Haug et al.	
D512,764 S	12/2005	Kohler, Jr. et al.	
D530,780 S	10/2006	Shao	
D531,263 S	10/2006	Tse	
D537,916 S	3/2007	Buttgen	
D538,390 S	3/2007	Sallick et al.	
D539,385 S	3/2007	Dempsey et al.	
D562,938 S *	2/2008	Blessing	D23/213
D562,944 S *	2/2008	Pan	D23/229
2006/0196972 A1	9/2006	Kajuch	

OTHER PUBLICATIONS

Danze. "Opulence Victorian Style". Model No. D461730. HomePortfolio.com online catalog. Copyright 1997-2007 HomePortfolio Inc.

Kallista. "Laura Kirar Vir Stil Body Spray". HomePortfolio.com online catalog. Copyright 1997-2007 HomePortfolio Inc.

Lefroy Brooks. "Concealed 5" Ceiling Rose". HomePortfolio.com online catalog. Copyright 1997-2007 HomePortfolio Inc.

Sophisticated Hardware & Plumbing. "Square Body Spray". Model No. 28472. Aquiles.stores.yahoo.net.

* cited by examiner

Primary Examiner—Robin V Webster

(74) *Attorney, Agent, or Firm*—Quarles & Brady LLP

(57) **CLAIM**

The ornamental design for a showerhead, as shown and described.

DESCRIPTION

In a preferred embodiment, the nature of this product is a flush wall-mounted round tile showerhead primarily useful for delivering a water spray from a water supply.

FIG. 1 is a right, front perspective view of a showerhead embodying our new design;

FIG. 2 is a front elevational view thereof;

FIG. 3 is a top plan view thereof;

FIG. 4 is a bottom plan view thereof;

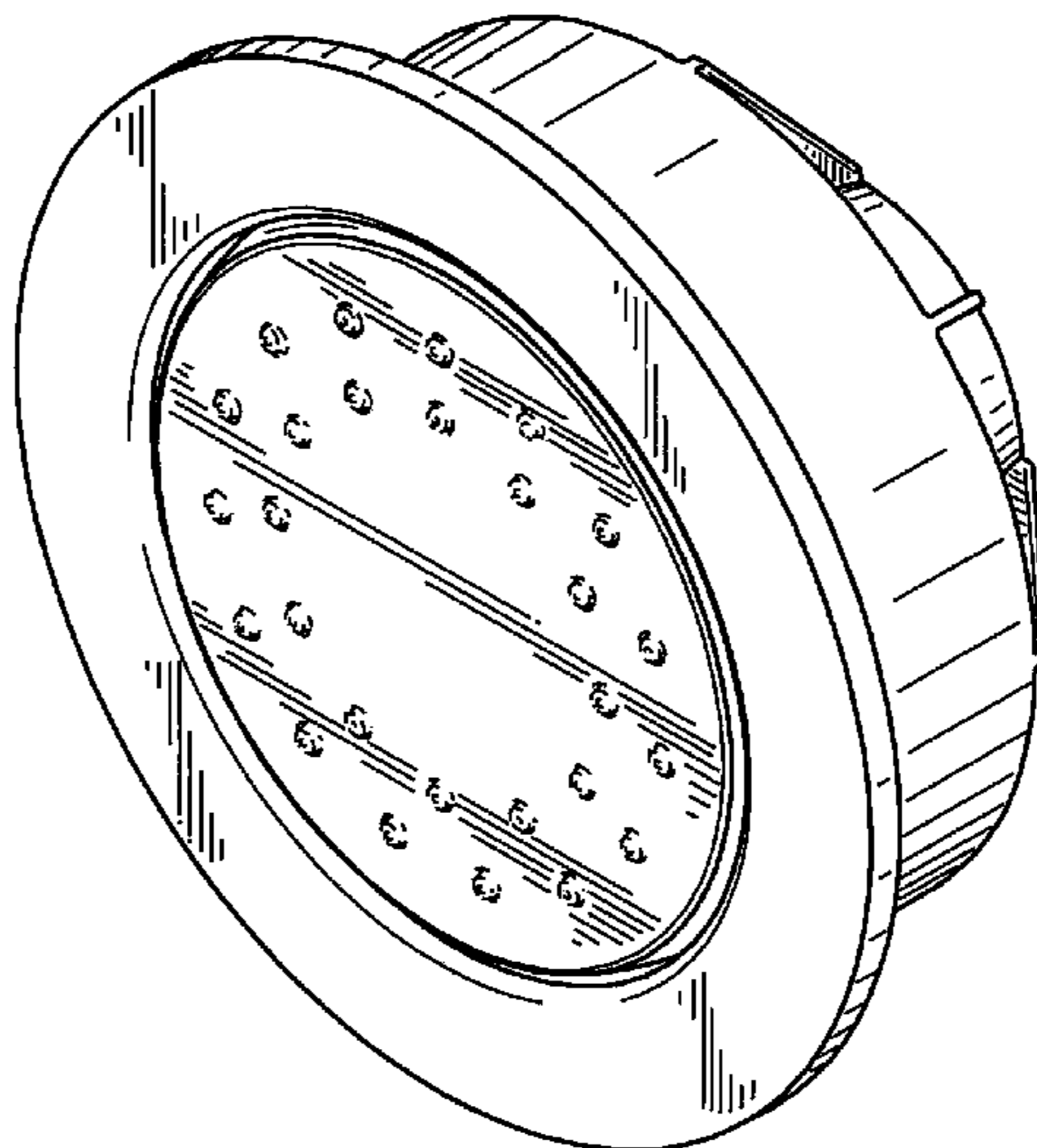
FIG. 5 is a right side elevational view thereof, the left side elevational view thereof being a mirror image of the right side shown;

FIG. 6 is a rear elevational view thereof; and,

FIG. 7 is a right, front perspective view of the showerhead of FIG. 1 shown with a nozzle plate pivoted with respect to a housing.

The broken line representations in the figures are for the purpose of illustration only, and form no part of the claimed design.

1 Claim, 5 Drawing Sheets



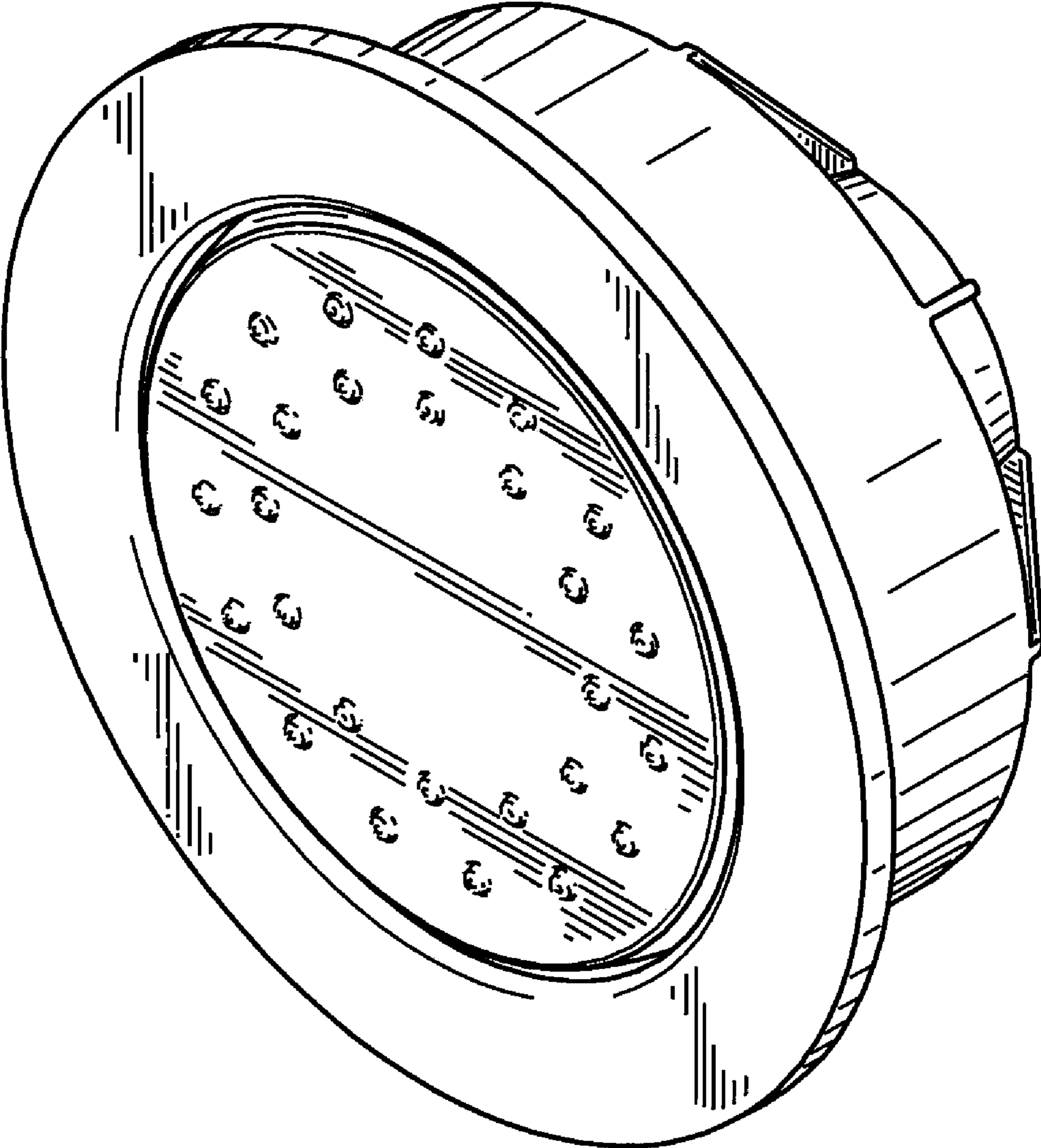


FIG. 1

FIG. 2

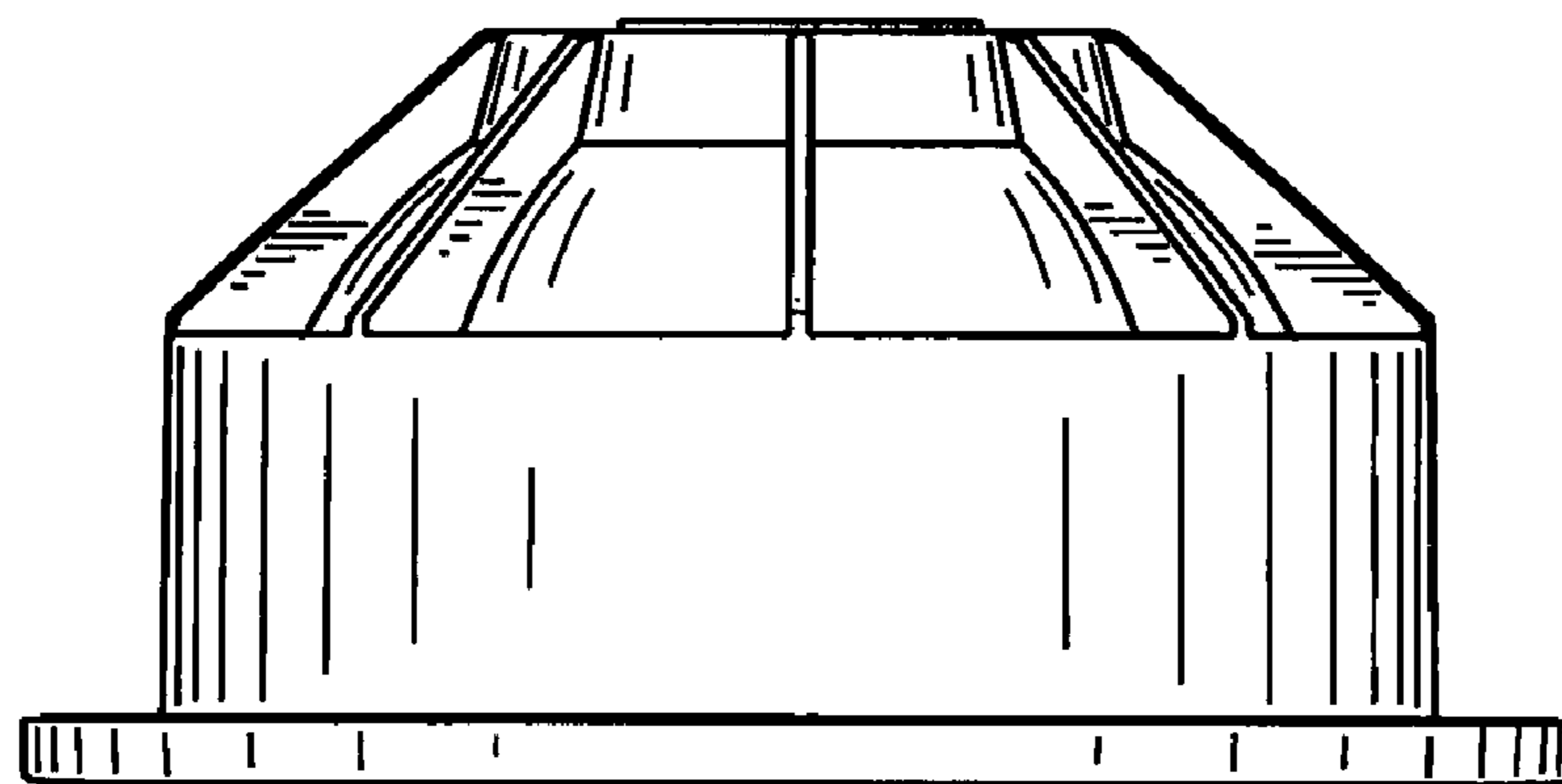
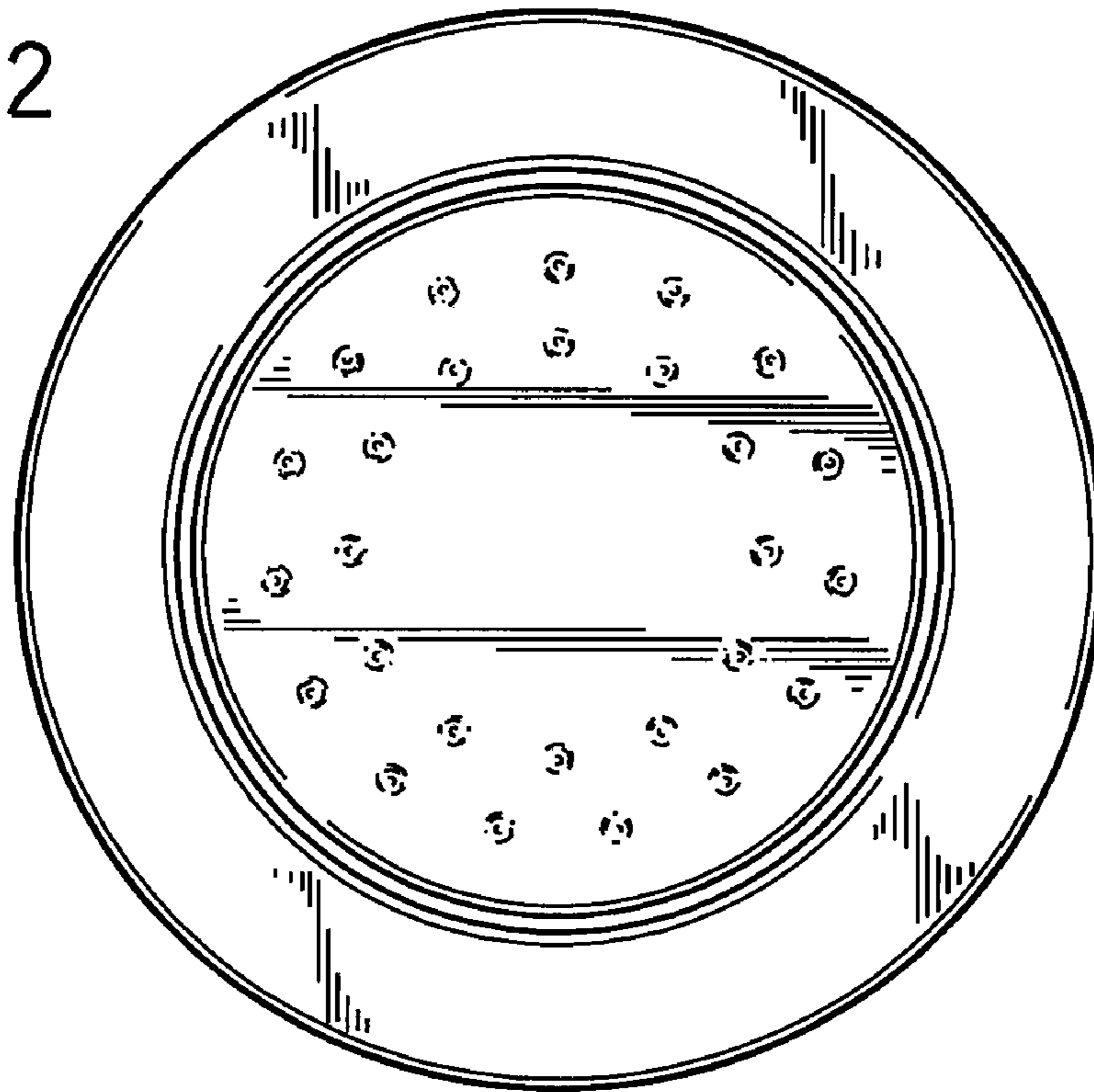


FIG. 3

FIG. 4

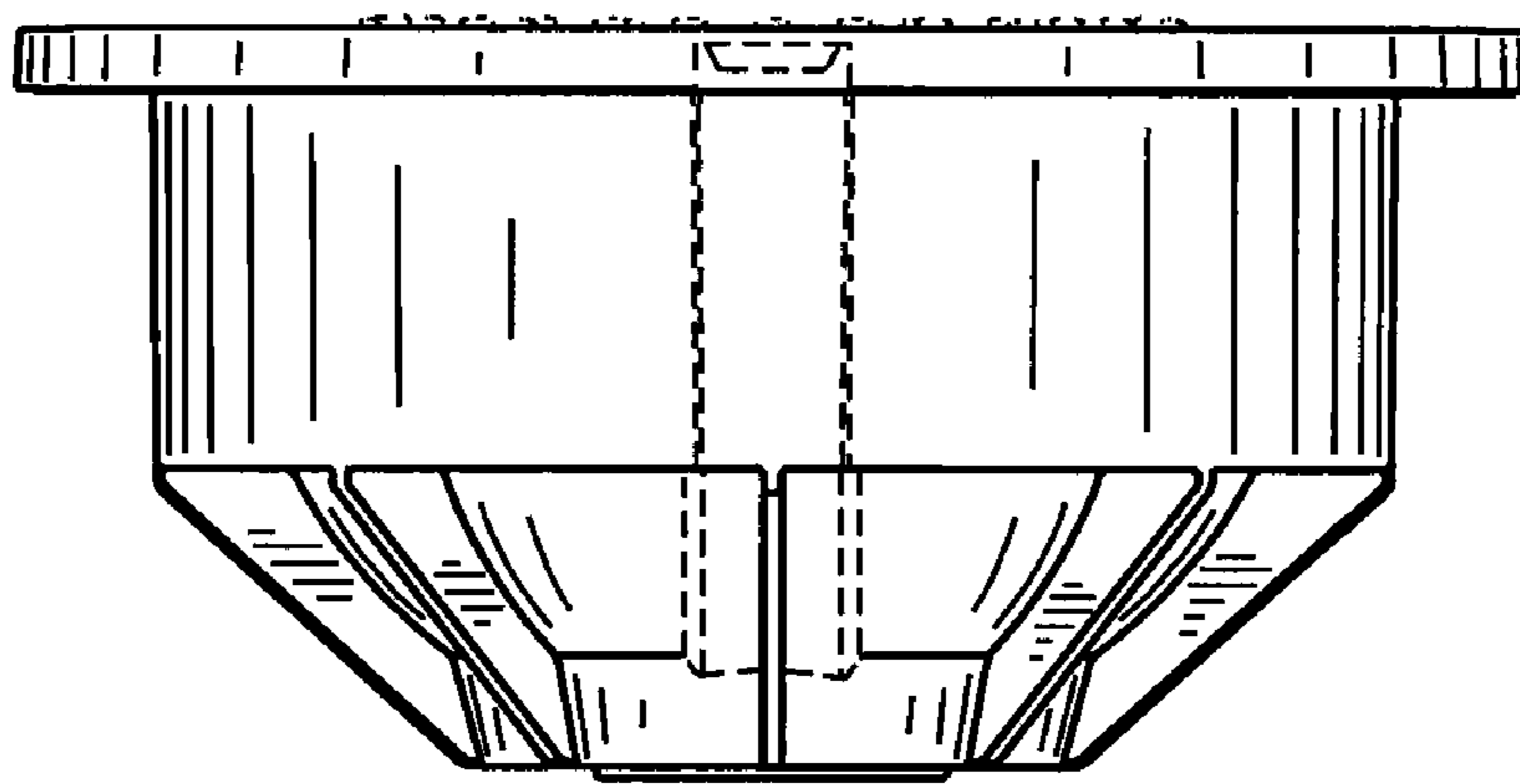


FIG. 5



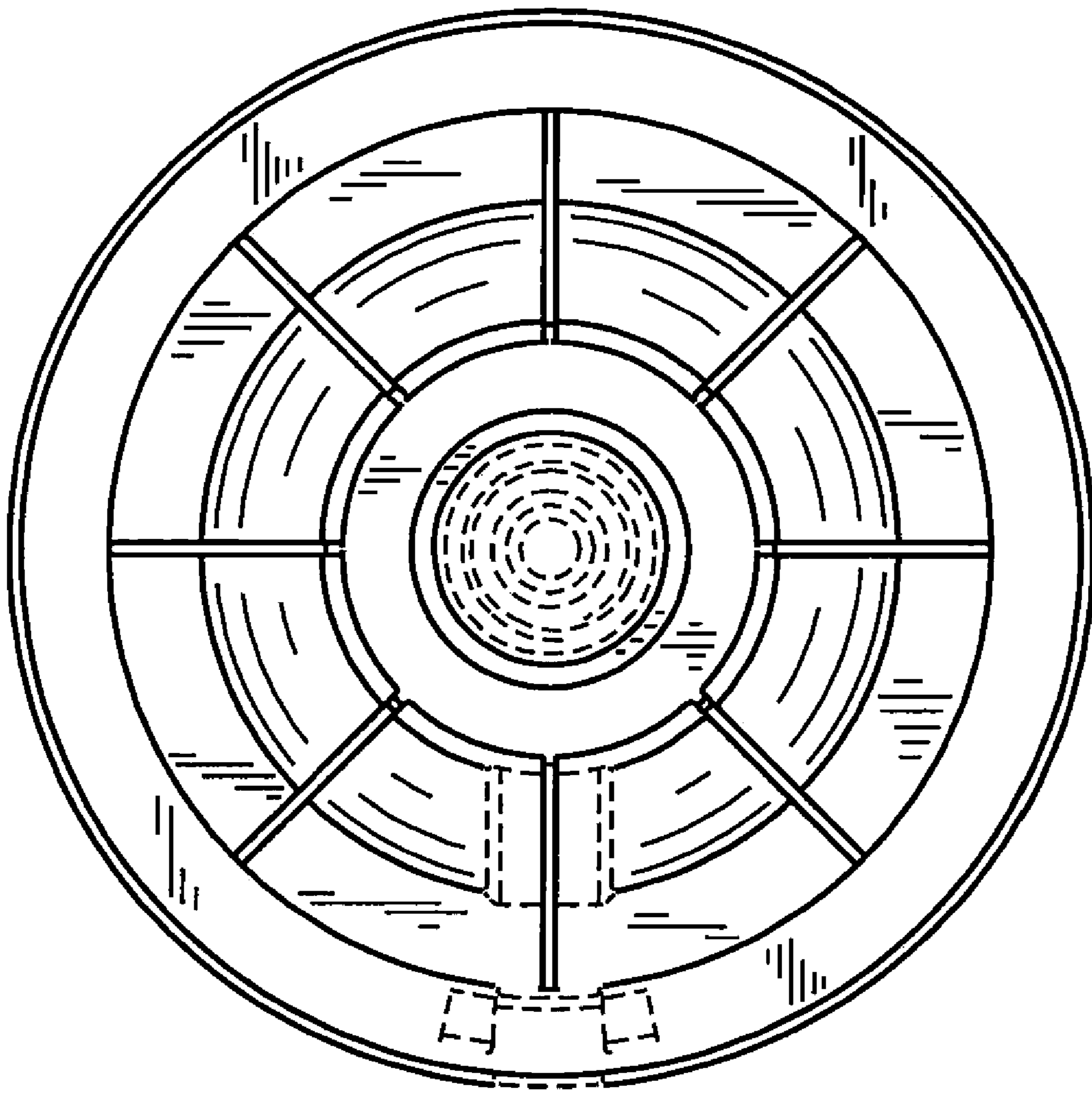


FIG. 6

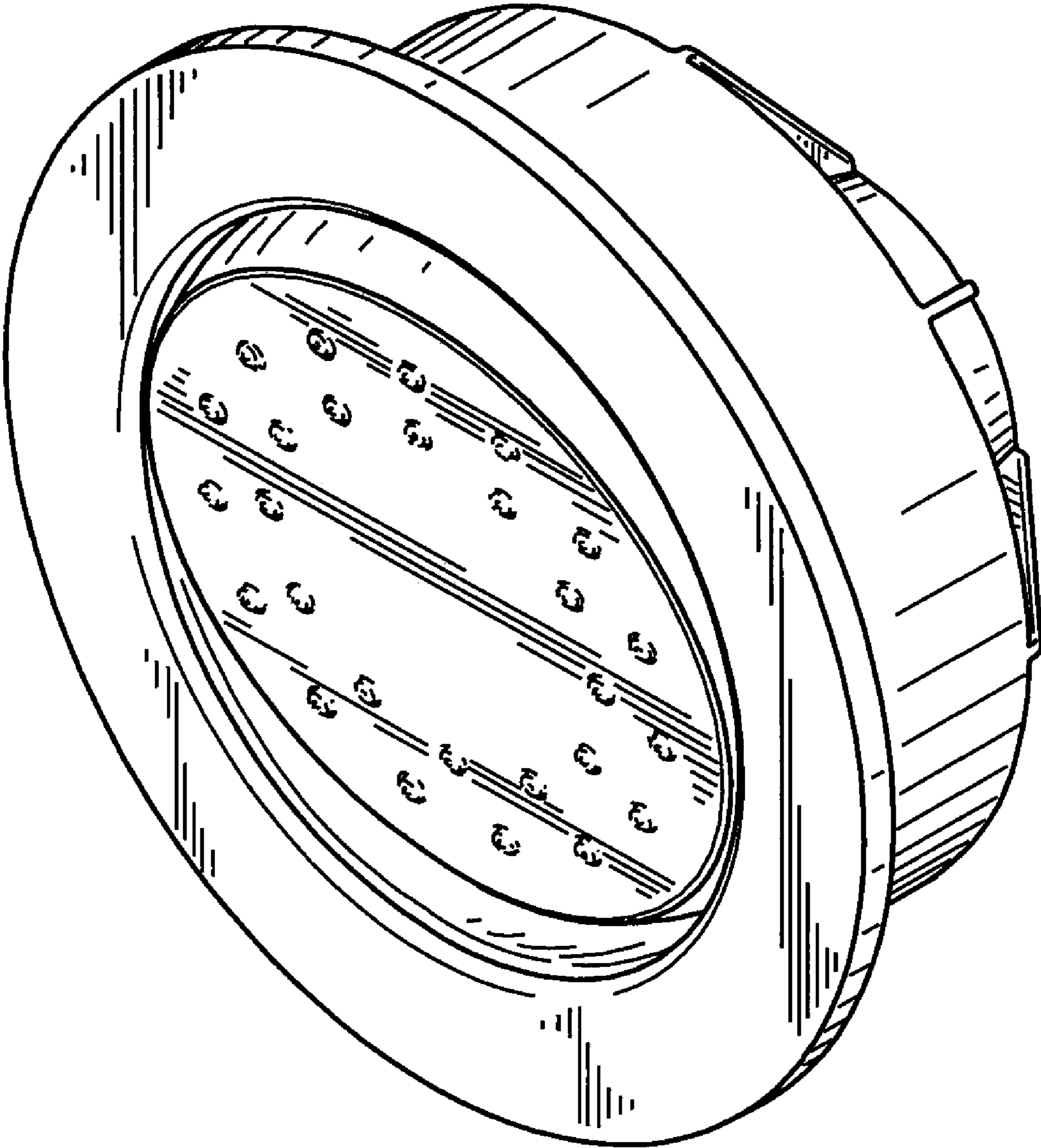


FIG. 7