



US00D577100S

(12) **United States Design Patent**
Brown et al.

(10) **Patent No.:** **US D577,100 S**
(45) **Date of Patent:** **** Sep. 16, 2008**

(54) **AIR DIFFUSING AND WATER MISTING APPARATUS**

(75) Inventors: **Carlton E Brown**, Tucson, AZ (US);
Kenneth A Metcalf, St. Petersburg, FL (US)

(73) Assignee: **AirConcepts, Inc.**, Tucson, AZ (US)

(**) Term: **14 Years**

(21) Appl. No.: **29/279,246**

(22) Filed: **Apr. 24, 2007**

(51) **LOC (8) Cl.** **23-01**

(52) **U.S. Cl.** **D23/213; D23/249**

(58) **Field of Classification Search** D23/213,
D23/249; 239/428.5; 261/DIG. 22
See application file for complete search history.

(56) **References Cited**

U.S. PATENT DOCUMENTS

D235,772 S *	7/1975	Saporito	D23/213
5,769,326 A *	6/1998	Muchenberger et al.	..	239/428.5
6,029,912 A *	2/2000	Woolley	239/428.5
6,902,123 B2 *	6/2005	Grether et al.	239/428.5
D537,916 S *	3/2007	Buttgen	D23/213

* cited by examiner

Primary Examiner—Robin V Webster

(74) *Attorney, Agent, or Firm*—Peter B. Scull; Berenbaum, Weinshienk & Eason

(57) **CLAIM**

The ornamental design for an air diffusing and water misting apparatus, as shown and described.

DESCRIPTION

FIGS. 1 and 2 provide respective bottom and top isometric views of air diffusing and water misting apparatus;

FIG. 3 is a first side elevational view of the air diffusing and water misting apparatus of FIG. 1;

FIG. 4 is a second side elevational view of the air diffusing and water misting apparatus of FIG. 1;

FIG. 5 is a bottom plan view of the air diffusing and water misting apparatus of FIG. 1;

FIG. 6 is a top plan view of the air diffusing and water misting apparatus of FIG. 1;

FIG. 7 is a bottom isometric view of an alternative air diffusing and water misting apparatus;

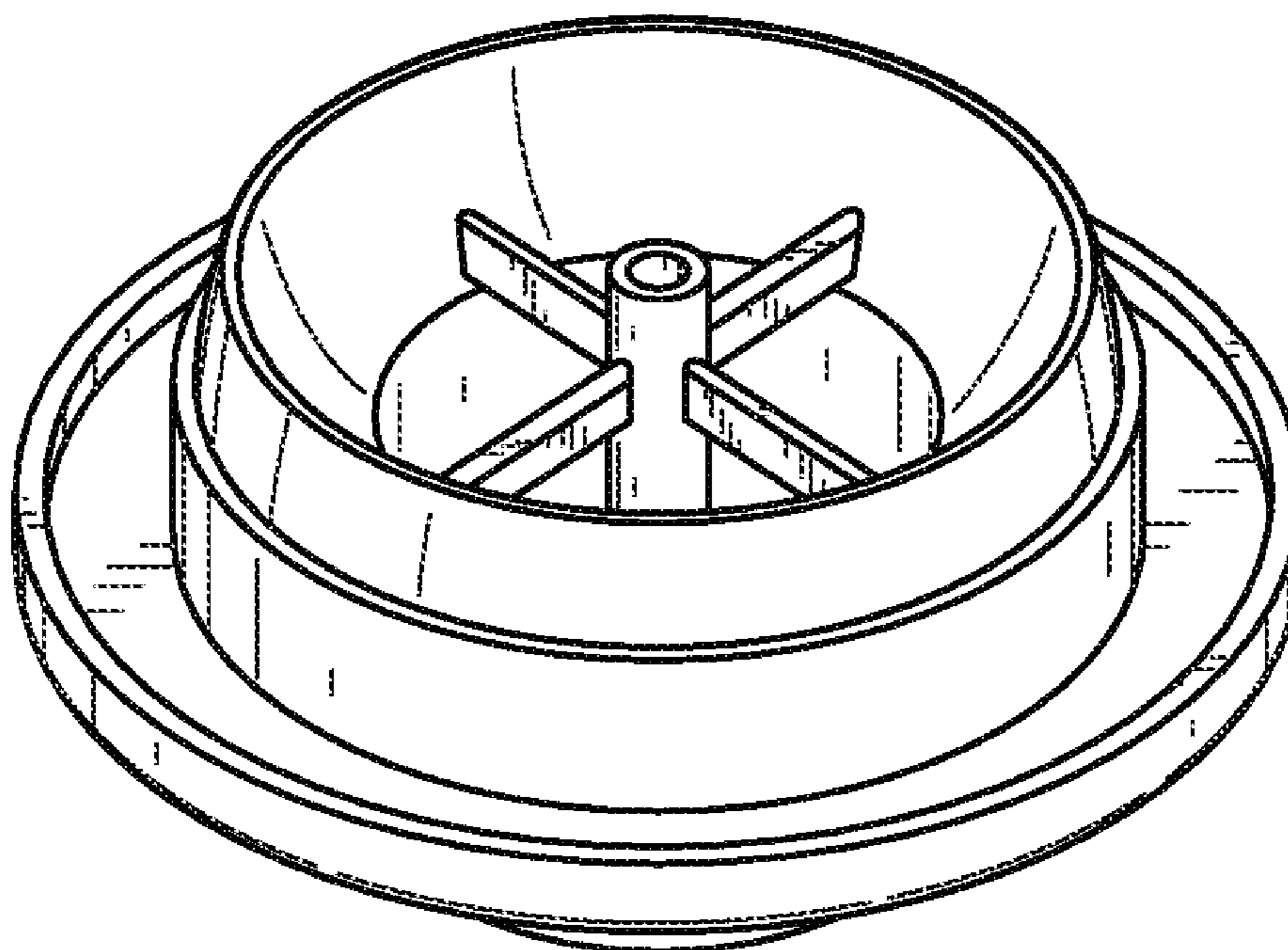
FIG. 8 is a first side elevational view of the air diffusing and water misting apparatus of FIG. 7;

FIG. 9 is a second side elevational view of an air diffusing and water misting apparatus like that of FIG. 7;

FIG. 10 is a bottom plan view of the air diffusing and water misting apparatus of FIG. 7; and,

FIG. 11 is top plan view of the air diffusing and water misting apparatus of FIG. 7.

1 Claim, 6 Drawing Sheets



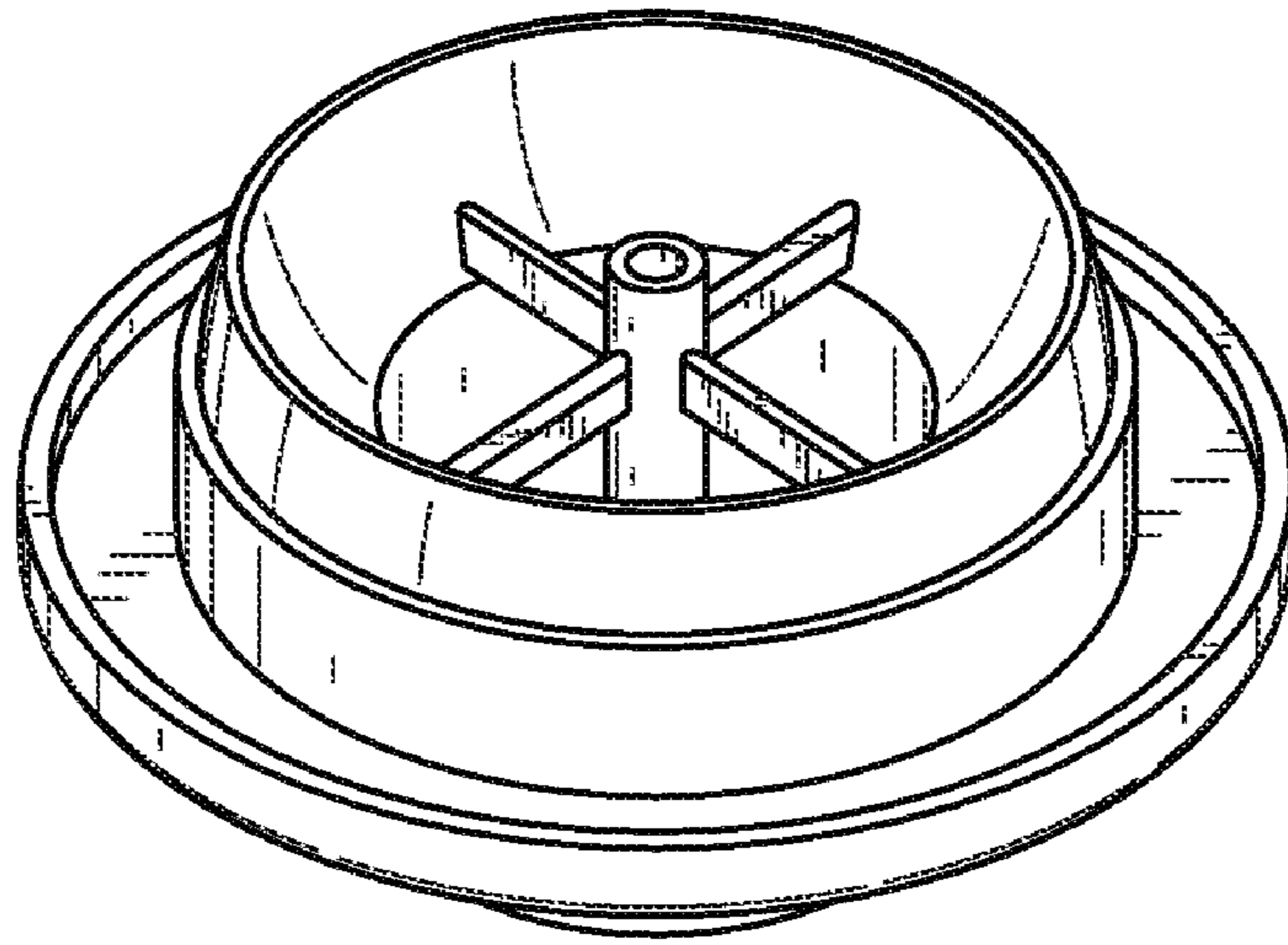


FIG. 1

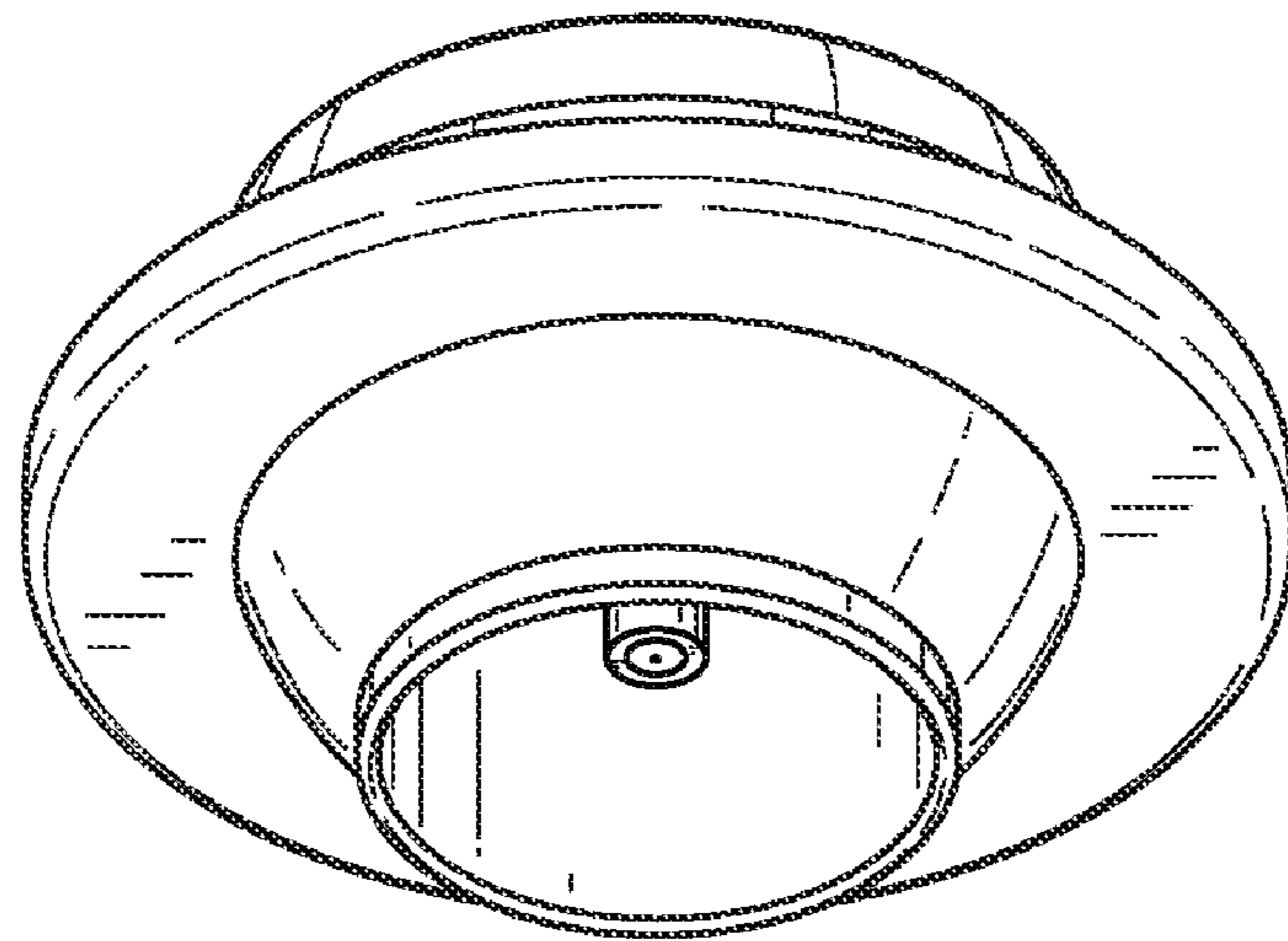


FIG. 2

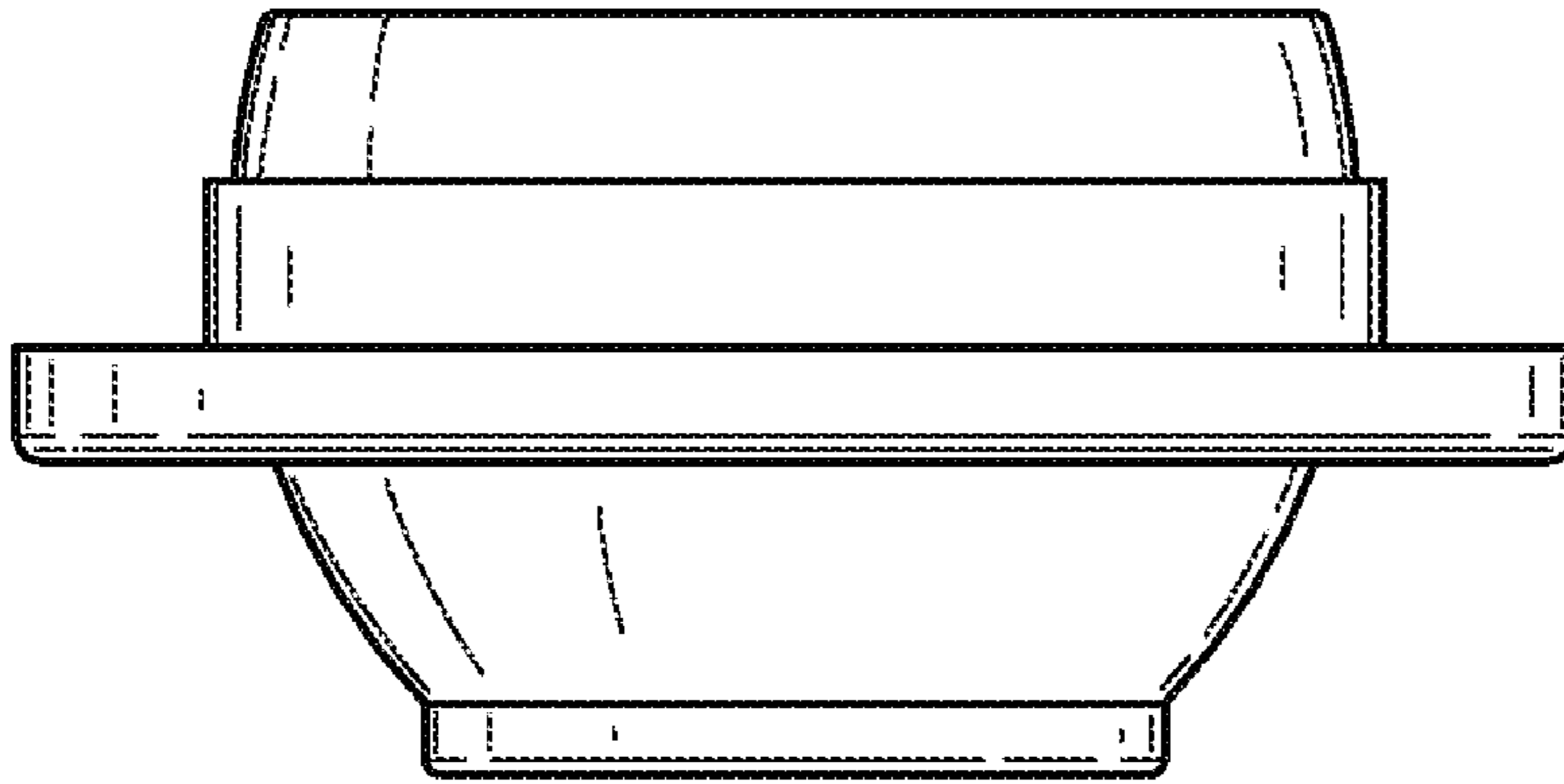


FIG.3

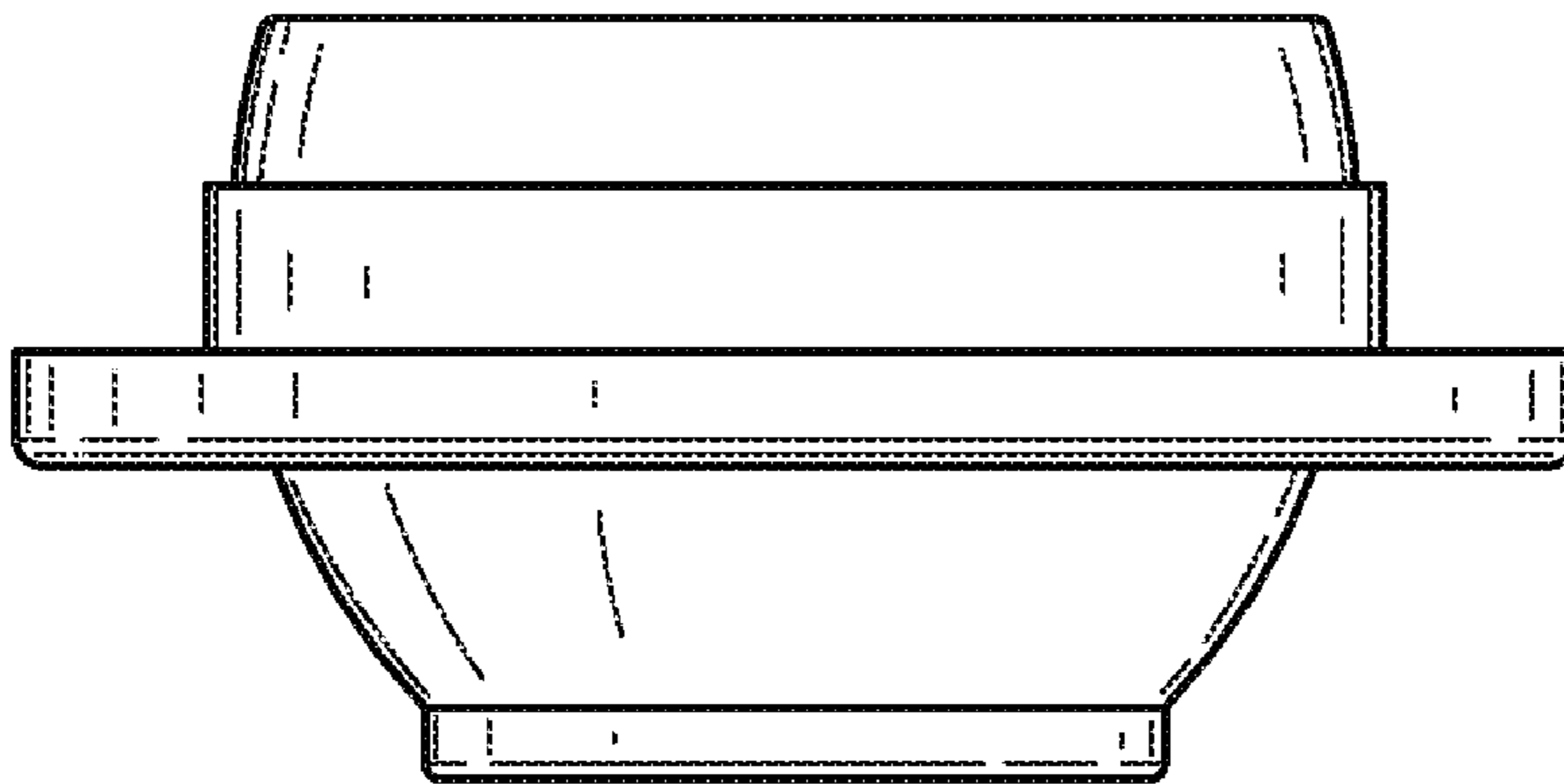


FIG.4

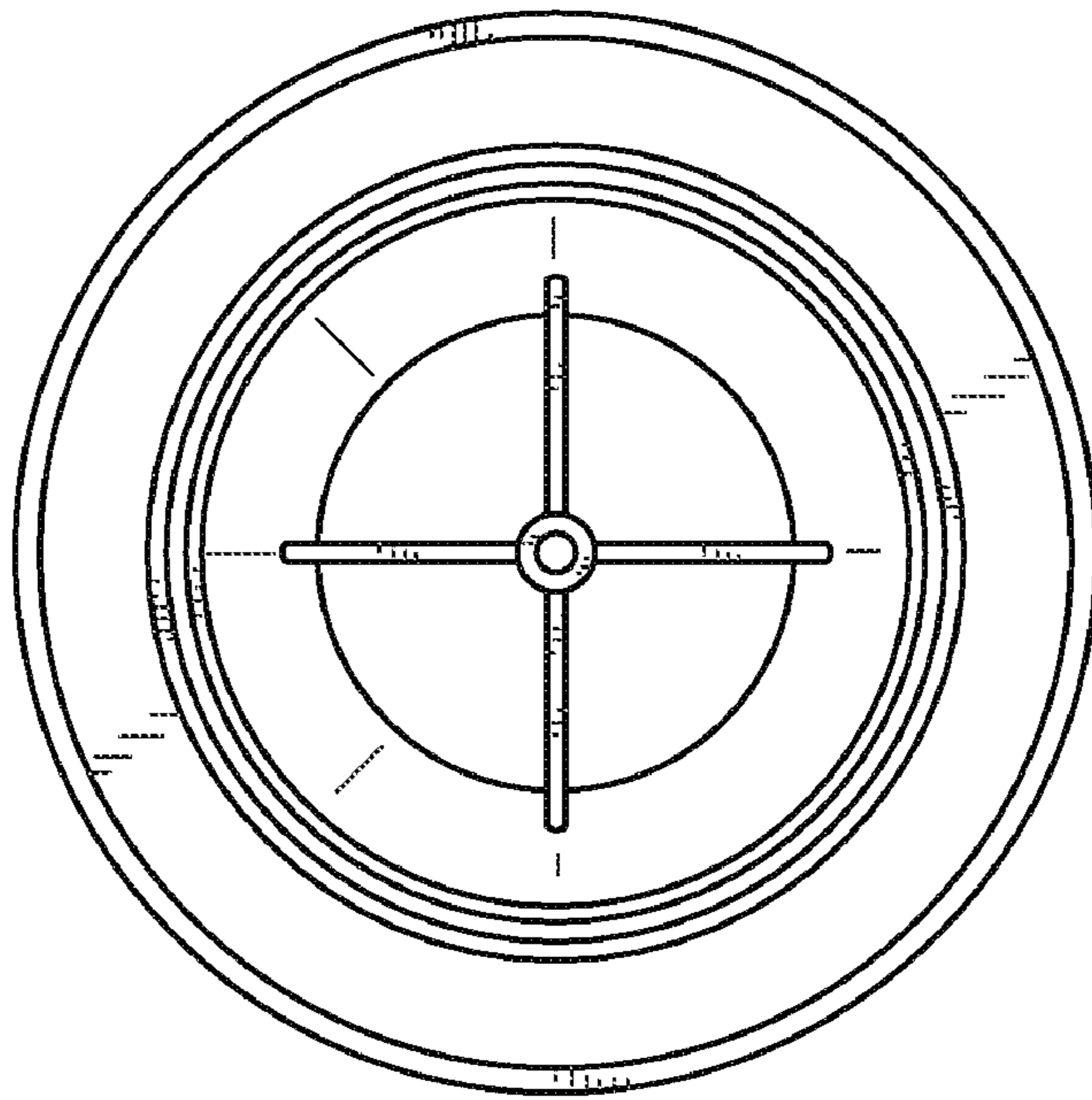


FIG.5

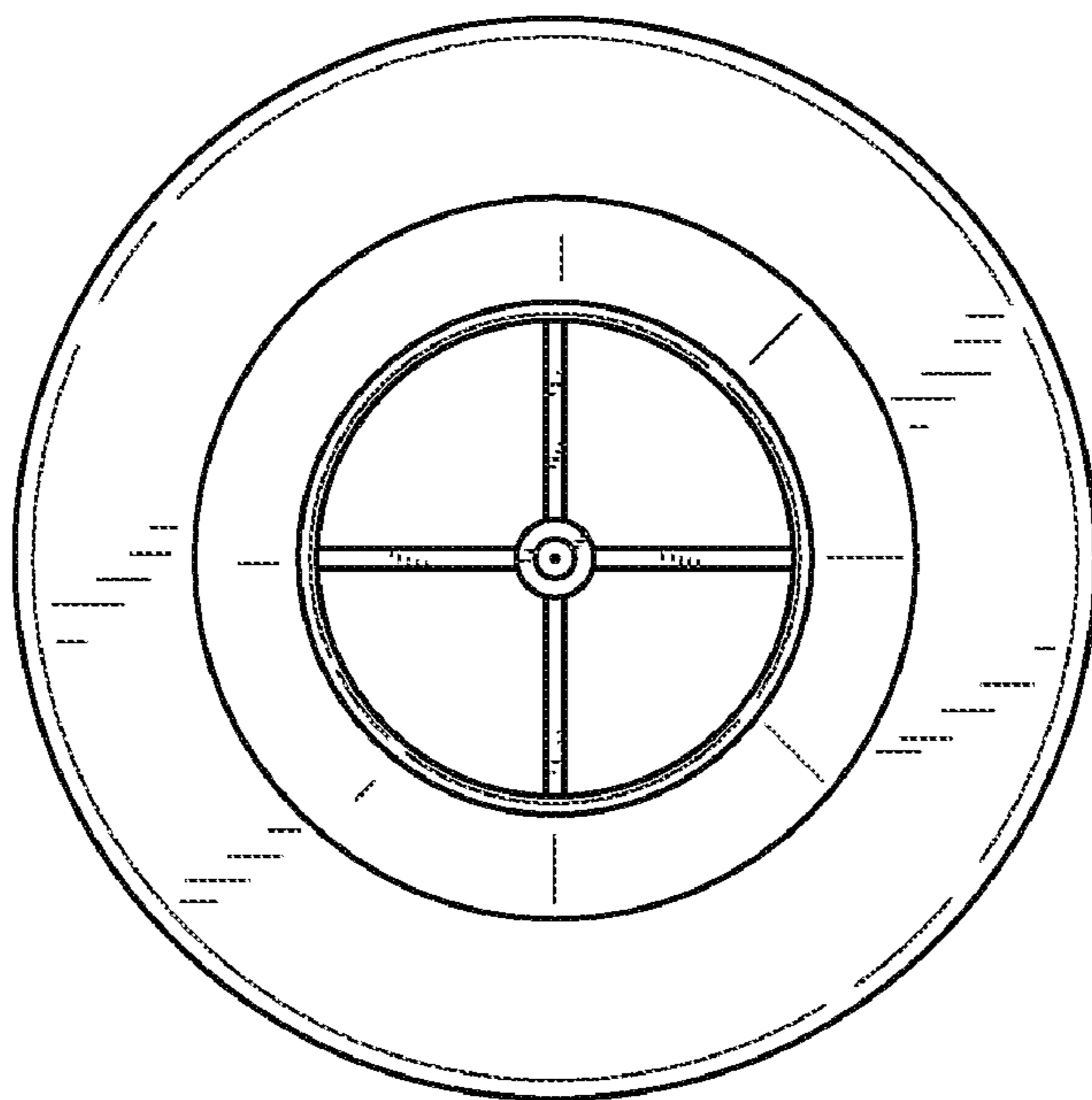


FIG.6

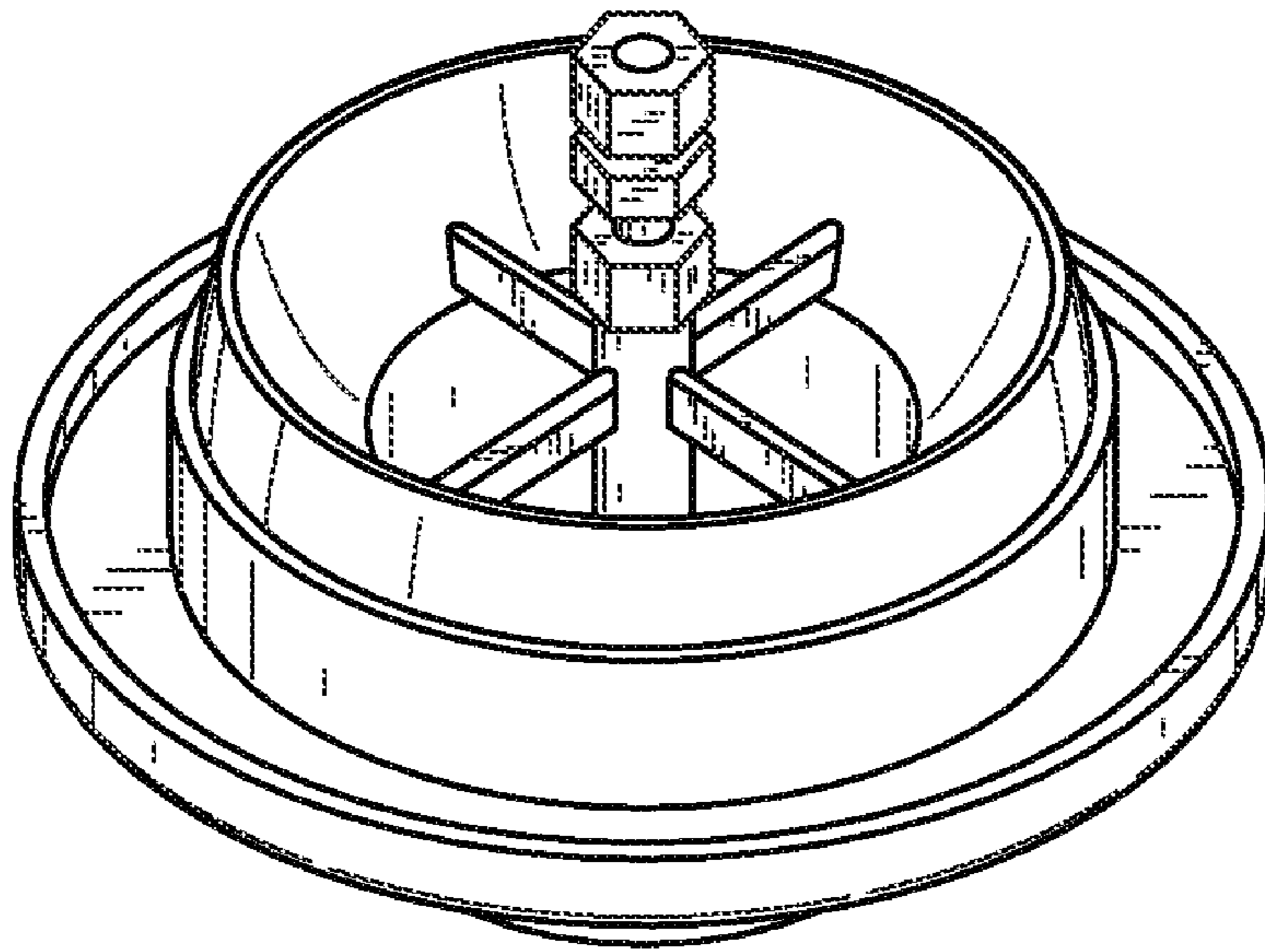


FIG.7

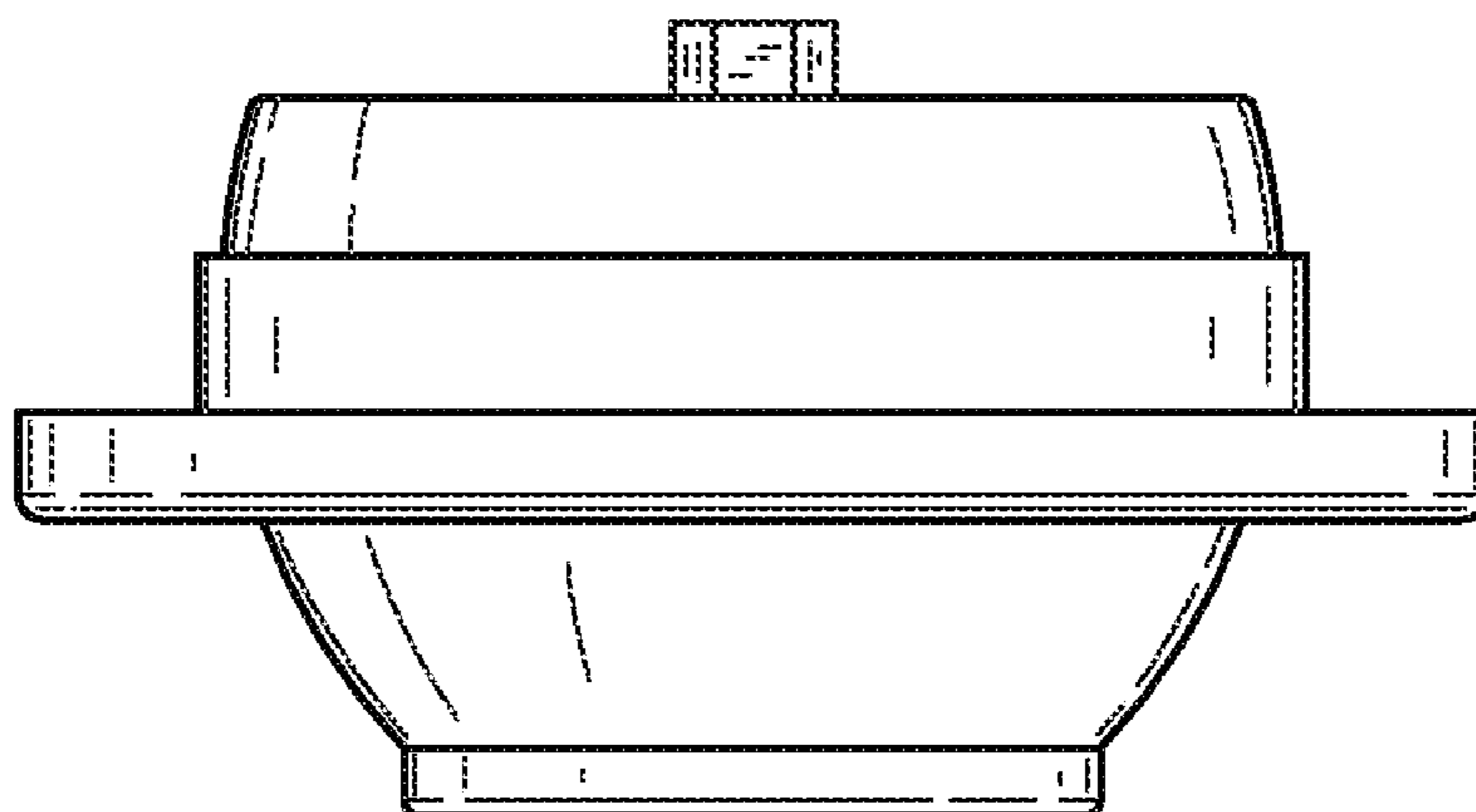


FIG. 8

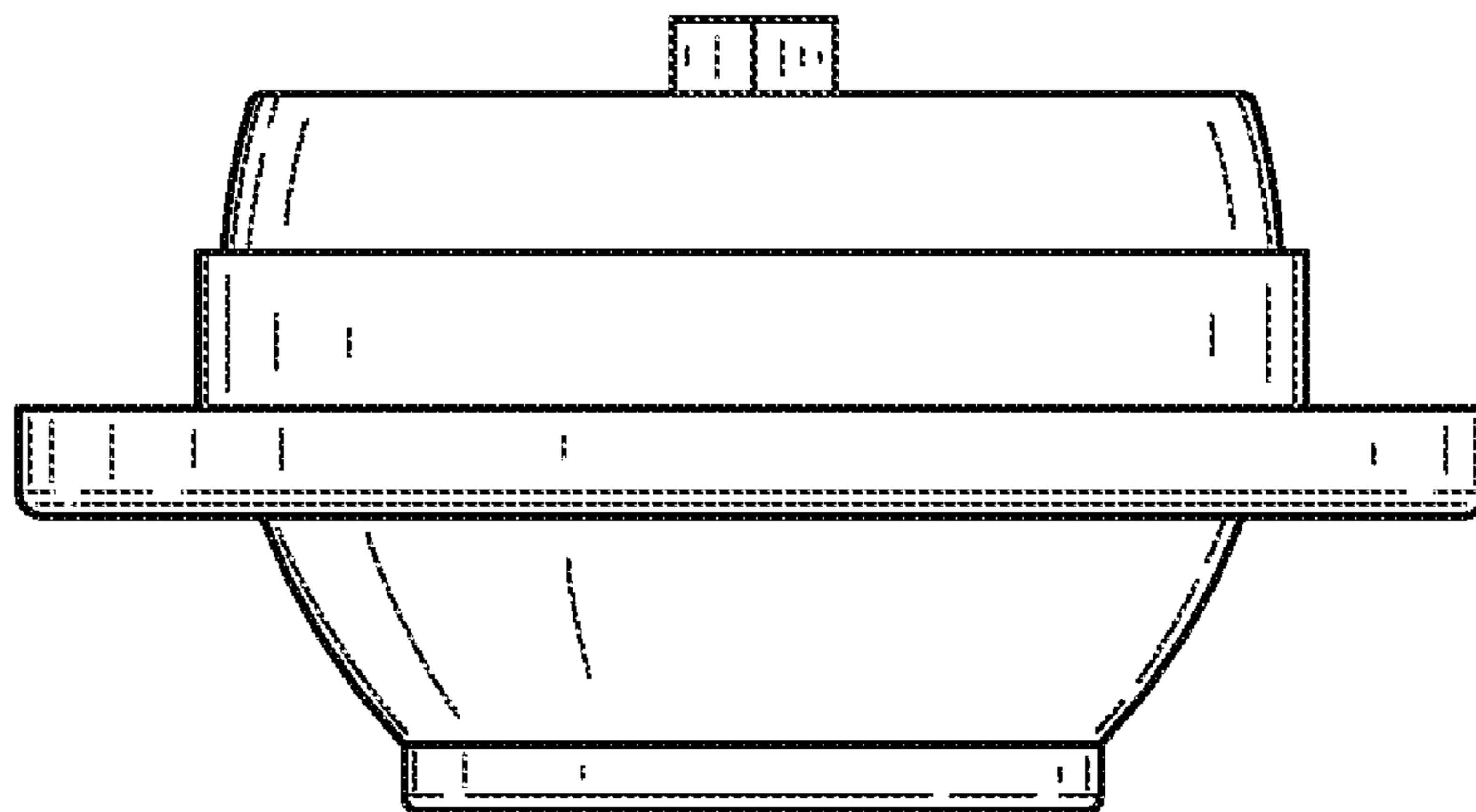


FIG. 9

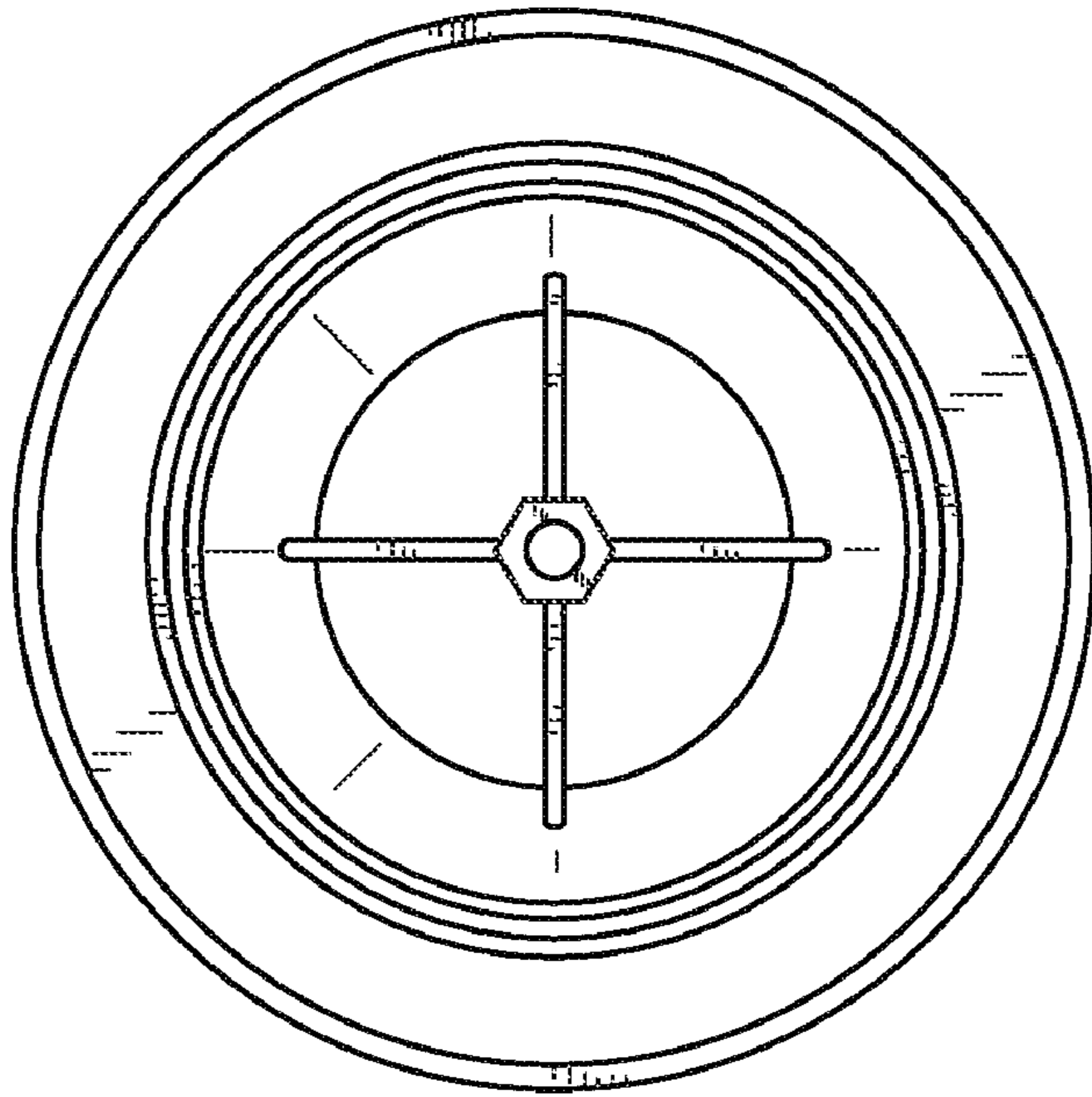


FIG. 10

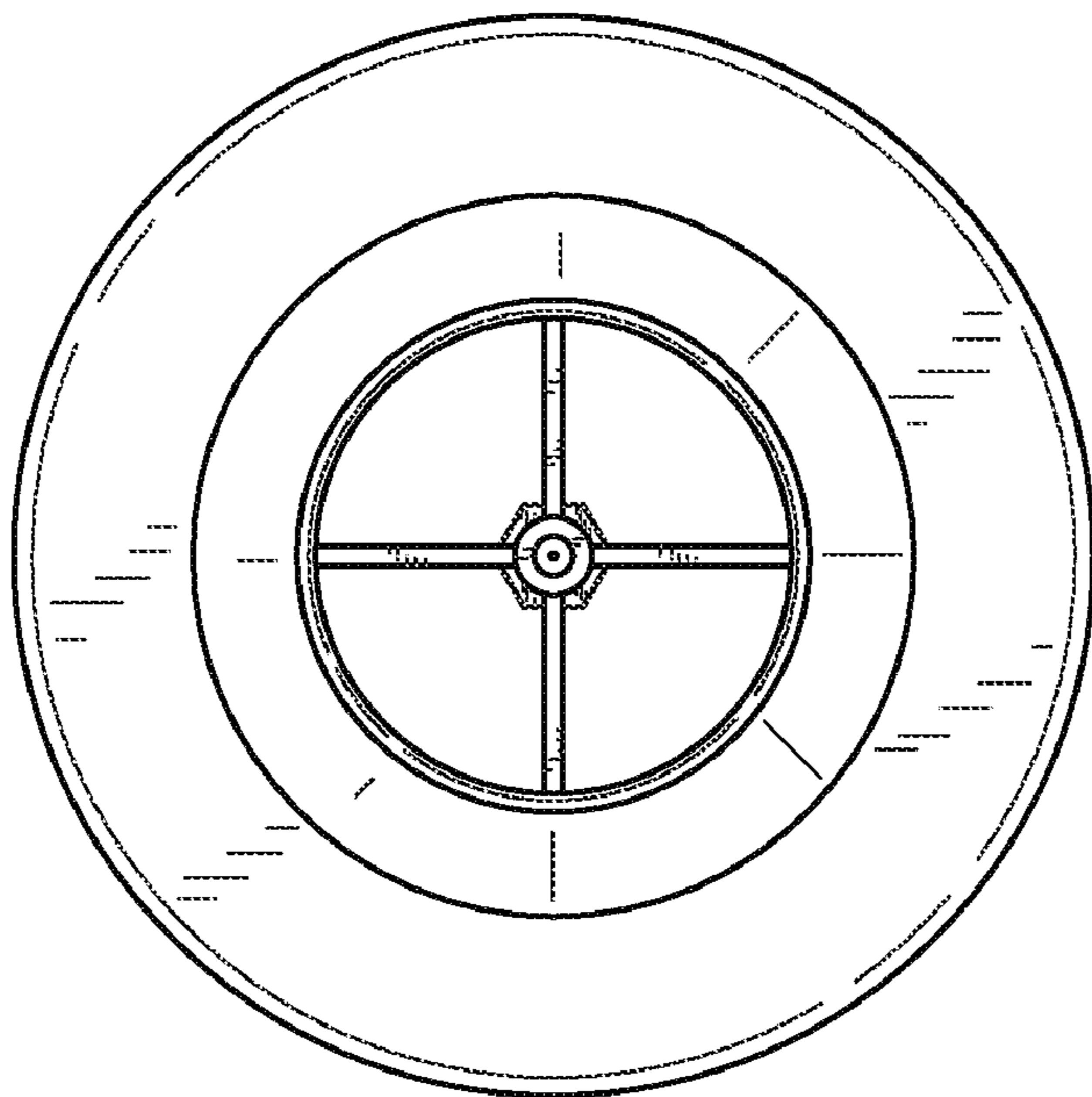


FIG. 11