



US00D577099S

(12) **United States Design Patent**
Leber

(10) **Patent No.:** **US D577,099 S**
(45) **Date of Patent:** **** Sep. 16, 2008**

(54) **SHOWERHEAD ASSEMBLY**

(75) Inventor: **Leland C. Leber**, Fort Collins, CO (US)

(73) Assignee: **Water Pik, Inc.**, Fort Collins, CO (US)

(**) Term: **14 Years**

(21) Appl. No.: **29/250,734**

(22) Filed: **Nov. 29, 2006**

(51) **LOC (8) Cl.** **23-01**

(52) **U.S. Cl.** **D23/213**

(58) **Field of Classification Search** D23/213,
D23/223, 229-230; 239/394, 282-283; 4/552,
4/615

See application file for complete search history.

(56) **References Cited**

U.S. PATENT DOCUMENTS

203,094	A	4/1878	Wakeman
204,333	A	5/1878	Josias
309,349	A	12/1884	Hart
428,023	A	5/1890	Schoff
432,712	A	7/1890	Taylor
445,250	A	1/1891	Lawless

(Continued)

FOREIGN PATENT DOCUMENTS

CA	659510	3/1963
----	--------	--------

(Continued)

OTHER PUBLICATIONS

Color Copy, Labeled 1A, Gemlo, available at least as early as Dec. 2, 1998.

(Continued)

Primary Examiner—Robin V Webster

(74) *Attorney, Agent, or Firm*—Dorsey & Whitney LLP

(57) **CLAIM**

I claim the ornamental design for a showerhead assembly, as shown and described.

DESCRIPTION

FIG. 1 is a perspective view of a first embodiment of a showerhead assembly in accordance with the present invention and claimed herein, dashed features are shown for illustrative purposes only and form no part of the claimed design.

FIG. 2 is a front view of the present invention of FIG. 1.

FIG. 3 is a right side view of the present invention of FIG. 1; a left side view being a mirror image thereof.

FIG. 4 is a bottom view of the present invention of FIG. 1.

FIG. 5 is a rear view of the present invention of FIG. 1.

FIG. 6 is a top view of the present invention of FIG. 1.

FIG. 7 is a perspective view of a second embodiment of the showerhead assembly in accordance with the present invention and claimed herein, dashed features are shown for illustrative purposes only and form no part of the claimed design.

FIG. 8 is a front view of the present invention of FIG. 7.

FIG. 9 is a right side view of the present invention of FIG. 7; a left side view being a mirror image thereof.

FIG. 10 is a bottom view of the present invention of FIG. 7.

FIG. 11 is a rear view of the present invention of FIG. 7.

FIG. 12 is a top view of the present invention of FIG. 7.

FIG. 13 is a perspective view of a third embodiment of the showerhead assembly in accordance with the present invention and claimed herein, dashed features are shown for illustrative purposes only and form no part of the claimed design.

FIG. 14 is a front view of the present invention of FIG. 13.

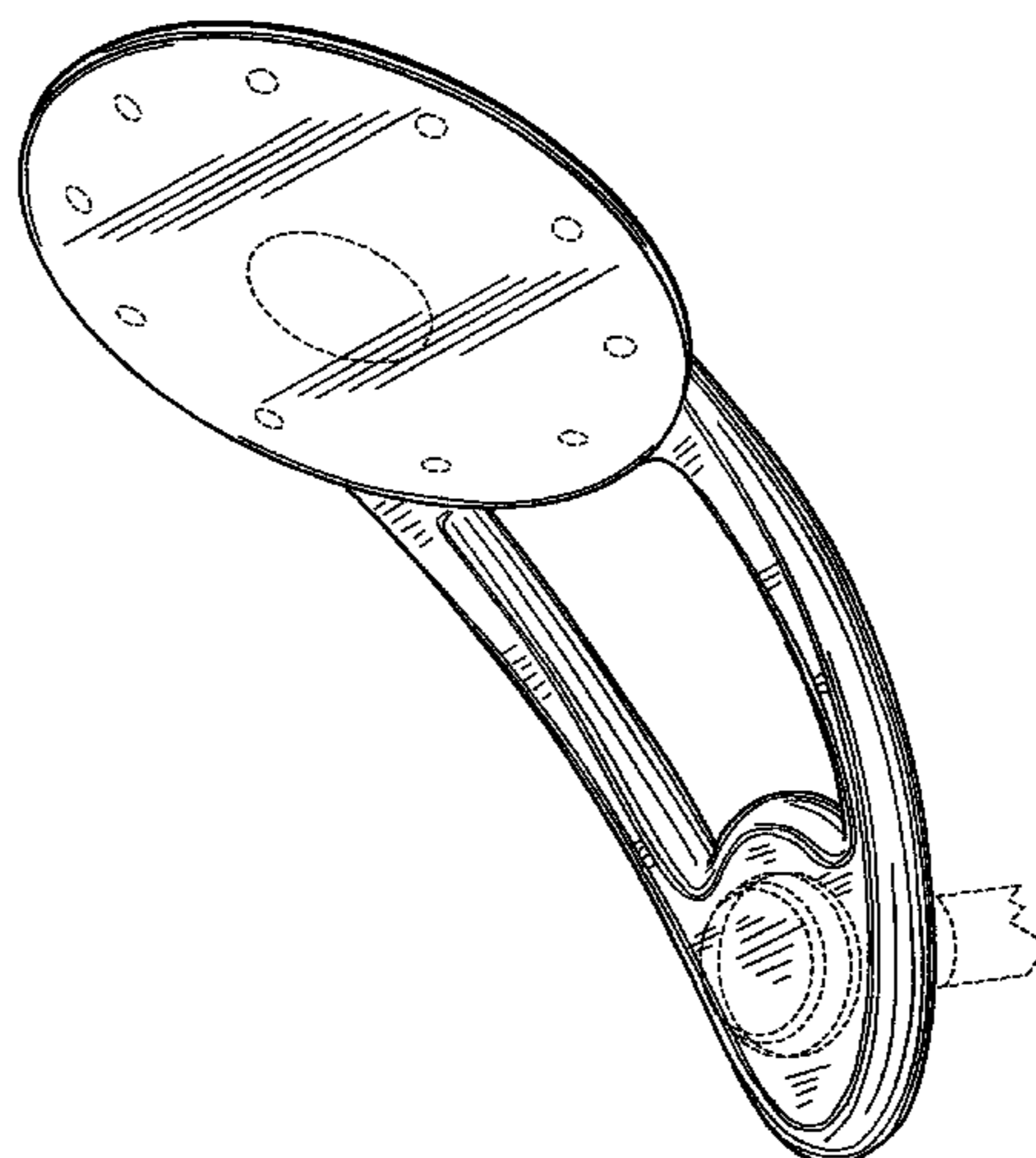
FIG. 15 is a right side view of the present invention of FIG. 13; a left side view being a mirror image thereof.

FIG. 16 is a bottom view of the present invention of FIG. 13.

FIG. 17 is a rear view of the present invention of FIG. 13; and,

FIG. 18 is a top view of the present invention of FIG. 13.

1 Claim, 9 Drawing Sheets



US D577,099 S

Page 2

U.S. PATENT DOCUMENTS					
			2,679,575 A	5/1954	Haberstump
			2,680,358 A	6/1954	Zublin
			2,726,120 A	12/1955	Bletcher et al.
			2,759,765 A	8/1956	Pawley
			2,776,168 A	1/1957	Schweda
			2,792,847 A	5/1957	Spencer
			2,873,999 A	2/1959	Webb
			2,930,505 A	3/1960	Meyer
			2,931,672 A	4/1960	Merritt et al.
			2,935,265 A	5/1960	Richter
			2,949,242 A	8/1960	Blumberg et al.
			2,957,587 A	10/1960	Tobin
			2,966,311 A	12/1960	Davis
			D190,295 S	5/1961	Becker
			2,992,437 A	7/1961	Nelson et al.
			3,007,648 A	11/1961	Fraser
			D192,935 S	5/1962	Becker
			3,032,357 A	5/1962	Shames et al.
			3,034,809 A	5/1962	Greenberg
			3,037,799 A	6/1962	Mulac
			3,081,339 A	3/1963	Green et al.
			3,092,333 A	6/1963	Gaiotto
			3,098,508 A	7/1963	Gerdes
			3,103,723 A	9/1963	Becker
			3,104,815 A	9/1963	Schultz
			3,104,827 A	9/1963	Aghnides
			3,111,277 A	11/1963	Grimsley
			3,143,857 A	8/1964	Eaton
			3,196,463 A	7/1965	Farneth
			3,231,200 A	1/1966	Heald
			3,236,545 A	2/1966	Parkes et al.
			3,239,152 A	3/1966	Bachli et al.
			3,266,059 A	8/1966	Stelle
			3,273,359 A	9/1966	Fregeolle
			3,306,634 A	2/1967	Groves et al.
			3,323,148 A	6/1967	Burnon
			3,329,967 A	7/1967	Martinez et al.
			3,341,132 A	9/1967	Parkison
			3,342,419 A	9/1967	Weese
			3,344,994 A	10/1967	Fife
			3,363,842 A	1/1968	Burns
			3,383,051 A	5/1968	Fiorentino
			3,389,925 A	6/1968	Gottschald
			3,393,311 A	7/1968	Dahl
			3,393,312 A	7/1968	Dahl
			3,404,410 A	10/1968	Sumida
			3,492,029 A	1/1970	French et al.
			3,516,611 A	6/1970	Piggott
			3,546,961 A	12/1970	Marton
			3,550,863 A	12/1970	McDermott
			3,552,436 A	1/1971	Stewart
			3,565,116 A	2/1971	Gabin
			3,566,917 A	3/1971	White
			3,580,513 A	5/1971	Martin
			3,584,822 A	6/1971	Oram
			3,596,835 A	8/1971	Smith et al.
			3,612,577 A	10/1971	Pope
			3,641,333 A	2/1972	Gendron
			3,647,144 A	3/1972	Parkison et al.
			3,663,044 A	5/1972	Contreras et al.
			3,669,470 A	6/1972	Deurloo
			3,672,648 A	6/1972	Price
			3,682,392 A	8/1972	Kint
			3,685,745 A	8/1972	Peschcke-koedt
			D224,834 S	9/1972	Laudell
			3,711,029 A	1/1973	Bartlett
			3,722,798 A	3/1973	Bletcher et al.
			3,722,799 A	3/1973	Rauh
			3,731,084 A	5/1973	Trevorrow
			3,754,779 A	8/1973	Peress
			3,762,648 A	10/1973	Deines et al.
			3,768,735 A	10/1973	Ward
			3,786,995 A	1/1974	Manoogian et al.

US D577,099 S

Page 3

3,801,019 A	4/1974	Trenary et al.	D268,359 S	3/1983	Klose
3,810,580 A	5/1974	Rauh	D268,442 S	3/1983	Darmon
3,826,454 A	7/1974	Zieger	D268,611 S	4/1983	Klose
3,840,734 A	10/1974	Oram	4,383,554 A	5/1983	Merriman
3,845,291 A	10/1974	Portyrata	4,396,797 A	8/1983	Sakuragi et al.
3,860,271 A	1/1975	Rodgers	4,398,669 A	8/1983	Fienhold
3,861,719 A	1/1975	Hand	4,425,965 A	1/1984	Bayh, III et al.
3,865,310 A	2/1975	Elkins et al.	4,432,392 A	2/1984	Paley
3,869,151 A	3/1975	Fletcher et al.	D274,457 S	6/1984	Haug
3,896,845 A	7/1975	Parker	4,461,052 A	7/1984	Mostul
3,902,671 A	9/1975	Symmons	4,465,308 A	8/1984	Martini
3,910,277 A	10/1975	Zimmer	4,467,964 A	8/1984	Kaeser
D237,708 S	11/1975	Grohe	4,495,550 A	1/1985	Visciano
3,929,164 A	12/1975	Richter	4,527,745 A	7/1985	Butterfield et al.
3,958,756 A	5/1976	Trenary et al.	4,540,202 A	9/1985	Amphoux et al.
D240,322 S	6/1976	Staub	4,545,081 A	10/1985	Nestor et al.
3,967,783 A	7/1976	Halsted et al.	4,553,775 A	11/1985	Halling
3,979,096 A	9/1976	Zieger	D281,820 S	12/1985	Oba et al.
3,997,116 A	12/1976	Moen	4,561,593 A	12/1985	Cammack et al.
3,998,390 A	12/1976	Peterson et al.	4,564,889 A	1/1986	Bolson
3,999,714 A	12/1976	Lang	4,571,003 A	2/1986	Roling et al.
4,005,880 A	2/1977	Anderson et al.	4,572,232 A	2/1986	Gruber
4,006,920 A	2/1977	Sadler et al.	D283,645 S	4/1986	Tanaka
4,023,782 A	5/1977	Eifer	4,587,991 A	5/1986	Chorkey
4,042,984 A	8/1977	Butler	4,588,130 A	5/1986	Trenary et al.
4,045,054 A	8/1977	Arnold	4,598,866 A	7/1986	Cammack et al.
D245,858 S	9/1977	Grube	4,614,303 A	9/1986	Moseley, Jr. et al.
D245,860 S	9/1977	Grube	4,616,298 A	10/1986	Bolson
4,068,801 A	1/1978	Leutheuser	4,618,100 A	10/1986	White et al.
4,081,135 A	3/1978	Tomaro	4,629,124 A	12/1986	Gruber
4,084,271 A	4/1978	Ginsberg	4,629,125 A	12/1986	Liu
4,091,998 A	5/1978	Peterson	4,643,463 A	2/1987	Halling et al.
D249,356 S	9/1978	Nagy	4,645,244 A	2/1987	Curtis
4,117,979 A	10/1978	Lagarelli et al.	4,650,120 A	3/1987	Kress
4,129,257 A	12/1978	Eggert	4,650,470 A	3/1987	Epstein
4,130,120 A	12/1978	Kohler, Jr.	4,652,025 A	3/1987	Conroy, Sr.
4,131,233 A	12/1978	Koenig	4,654,900 A	4/1987	McGhee
4,133,486 A	1/1979	Fanella	4,657,185 A	4/1987	Rundzaitis
4,135,549 A	1/1979	Baker	4,669,666 A	6/1987	Finkbeiner
D251,045 S	2/1979	Grube	4,669,757 A	6/1987	Bartholomew
4,141,502 A	2/1979	Grohe	4,674,687 A	6/1987	Smith et al.
4,151,955 A	5/1979	Stouffer	4,683,917 A	8/1987	Bartholomew
4,151,957 A	5/1979	Gecewicz et al.	4,703,893 A	11/1987	Gruber
4,162,801 A	7/1979	Kresky et al.	4,719,654 A	1/1988	Blessing
4,165,837 A	8/1979	Rundzaitis	4,733,337 A	3/1988	Bieberstein
4,167,196 A	9/1979	Morris	D295,437 S	4/1988	Fabian
4,174,822 A	11/1979	Larsson	4,739,801 A	4/1988	Kimura et al.
4,185,781 A	1/1980	O'Brien	4,749,126 A	6/1988	Kessener et al.
4,190,207 A	2/1980	Fienhold et al.	D296,582 S	7/1988	Haug et al.
4,191,332 A	3/1980	De Langis et al.	4,754,928 A	7/1988	Rogers et al.
4,203,550 A	5/1980	On	D297,160 S	8/1988	Robbins
4,209,132 A	6/1980	Kwan	4,764,047 A	8/1988	Johnston et al.
D255,626 S	7/1980	Grube	4,778,104 A	10/1988	Fisher
4,219,160 A	8/1980	Allred, Jr.	4,787,591 A	11/1988	Villacorta
4,221,338 A	9/1980	Shames et al.	4,790,294 A	12/1988	Allred, III et al.
4,243,253 A	1/1981	Rogers, Jr.	4,801,091 A	1/1989	Sandvik
4,244,526 A	1/1981	Arth	4,809,369 A	3/1989	Bowden
D258,677 S	3/1981	Larsson	4,839,599 A	6/1989	Fischer
4,254,914 A	3/1981	Shames et al.	4,842,059 A	6/1989	Tomek
4,258,414 A	3/1981	Sokol	D302,325 S	7/1989	Charet et al.
4,272,022 A	6/1981	Evans	4,850,616 A	7/1989	Pava
4,274,400 A	6/1981	Baus	4,854,499 A	8/1989	Neuman
4,282,612 A	8/1981	King	4,856,822 A	8/1989	Parker
D261,300 S	10/1981	Klose	4,865,362 A	9/1989	Holden
D261,417 S	10/1981	Klose	4,871,196 A	10/1989	Kingsford
4,303,201 A	12/1981	Elkins et al.	4,896,658 A	1/1990	Yonekubo et al.
4,319,608 A	3/1982	Raikov et al.	D306,351 S	2/1990	Charet et al.
4,330,089 A	5/1982	Finkbeiner	4,901,927 A	2/1990	Valdivia
D266,212 S	9/1982	Haug et al.	4,903,178 A	2/1990	Englot et al.
4,350,298 A	9/1982	Tada	4,903,897 A	2/1990	Hayes
4,353,508 A	10/1982	Butterfield et al.	4,903,922 A	2/1990	Harris, III
4,358,056 A	11/1982	Greenhut et al.	4,907,137 A	3/1990	Schladitz et al.
D267,582 S	1/1983	Mackay et al.	4,907,744 A	3/1990	Jousson

US D577,099 S

Page 4

4,909,435 A	3/1990	Kidouchi et al.	5,232,162 A	8/1993	Chih
4,914,759 A	4/1990	Goff	D339,492 S	9/1993	Klose
4,946,202 A	8/1990	Perricone	D339,627 S	9/1993	Klose
4,951,329 A	8/1990	Shaw	D339,848 S	9/1993	Gottwald
4,953,585 A	9/1990	Rollini et al.	5,246,169 A	9/1993	Heimann et al.
4,964,573 A	10/1990	Lipski	D340,376 S	10/1993	Klose
4,972,048 A	11/1990	Martin	5,253,670 A	10/1993	Perrott
D313,267 S	12/1990	Lenci et al.	5,253,807 A	10/1993	Newbegin
4,976,460 A	12/1990	Newcombe et al.	5,254,809 A	10/1993	Martin
D314,246 S	1/1991	Bache	D341,007 S	11/1993	Haug et al.
D315,191 S	3/1991	Mikol	D341,191 S	11/1993	Klose
4,998,673 A	3/1991	Pilolla	D341,220 S	11/1993	Eagan
5,004,158 A	4/1991	Halem et al.	5,263,646 A	11/1993	McCauley
D317,348 S	6/1991	Geneve et al.	5,265,833 A	11/1993	Heimann et al.
5,020,570 A	6/1991	Cotter	5,268,826 A	12/1993	Greene
5,022,103 A	6/1991	Faist	5,276,596 A	1/1994	Krenzel
5,032,015 A	7/1991	Christianson	5,277,391 A	1/1994	Haug et al.
5,033,528 A	7/1991	Volcani	5,286,071 A	2/1994	Storage
5,033,897 A	7/1991	Chen	5,288,110 A	2/1994	Allread
D319,294 S	8/1991	Kohler, Jr. et al.	5,294,054 A	3/1994	Benedict et al.
D320,064 S	9/1991	Presman	5,297,735 A	3/1994	Heimann et al.
5,046,764 A	9/1991	Kimura et al.	5,297,739 A	3/1994	Allen
D321,062 S	10/1991	Bonbright	D345,811 S	4/1994	Van Deursen et al.
5,058,804 A	10/1991	Yonekubo et al.	D346,426 S	4/1994	Warshawsky
D322,119 S	12/1991	Haug et al.	D346,428 S	4/1994	Warshawsky
D322,681 S	12/1991	Yuen	D346,430 S	4/1994	Warshawsky
5,070,552 A	12/1991	Gentry et al.	D347,262 S	5/1994	Black et al.
D323,545 S	1/1992	Ward	D347,265 S	5/1994	Gottwald
5,082,019 A	1/1992	Tetrault	5,316,216 A	5/1994	Cammack et al.
5,086,878 A	2/1992	Swift	D348,720 S	7/1994	Haug et al.
5,090,624 A	2/1992	Rogers	5,329,650 A	7/1994	Zaccai et al.
5,100,055 A	3/1992	Rokitenetz et al.	D349,947 S	8/1994	Hing-Wah
D325,769 S	4/1992	Haug et al.	5,333,787 A	8/1994	Smith et al.
D325,770 S	4/1992	Haug et al.	5,333,789 A	8/1994	Garneys
5,103,384 A	4/1992	Drohan	5,340,064 A	8/1994	Heimann et al.
D326,311 S	5/1992	Lenci et al.	5,340,165 A	8/1994	Sheppard
D327,115 S	6/1992	Rogers	D350,808 S	9/1994	Warshawsky
5,121,511 A	6/1992	Sakamoto et al.	5,344,080 A	9/1994	Matsui
D327,729 S	7/1992	Rogers	5,349,987 A	9/1994	Shieh
5,127,580 A	7/1992	Fu-I	5,356,076 A	10/1994	Bishop
5,134,251 A	7/1992	Martin	5,356,077 A	10/1994	Shames
D328,944 S	8/1992	Robbins	D352,347 S	11/1994	Dannenberg
5,141,016 A	8/1992	Nowicki	D352,766 S	11/1994	Hill et al.
D329,504 S	9/1992	Yuen	5,368,235 A	11/1994	Drozdoff et al.
5,143,300 A	9/1992	Cutler	5,369,556 A	11/1994	Zeller
5,145,114 A	9/1992	Monch	5,370,427 A	12/1994	Hoelle et al.
D330,068 S	10/1992	Haug et al.	5,385,500 A	1/1995	Schmidt
D330,408 S	10/1992	Thacker	D355,242 S	2/1995	Warshawsky
D330,409 S	10/1992	Raffo	D355,703 S	2/1995	Duell
5,153,976 A	10/1992	Benchaar et al.	D356,626 S	3/1995	Wang
5,154,355 A	10/1992	Gonzalez	5,397,064 A	3/1995	Heitzman
5,154,483 A	10/1992	Zeller	5,398,872 A	3/1995	Joubran
5,161,567 A	11/1992	Humpert	5,398,977 A	3/1995	Berger et al.
5,163,752 A	11/1992	Copeland et al.	5,402,812 A	4/1995	Moineau et al.
5,171,429 A	12/1992	Yasuo	5,405,089 A	4/1995	Heimann et al.
5,172,860 A	12/1992	Yuch	5,414,879 A	5/1995	Hiraishi et al.
5,172,862 A	12/1992	Heimann et al.	5,423,348 A	6/1995	Jezek et al.
5,172,866 A	12/1992	Ward	5,433,384 A	7/1995	Chan et al.
D332,303 S	1/1993	Klose	D361,399 S	8/1995	Carbone et al.
D332,994 S	2/1993	Huen	D361,623 S	8/1995	Huen
D333,339 S	2/1993	Klose	5,441,075 A	8/1995	Clare
5,197,767 A	3/1993	Kimura et al.	5,449,206 A	9/1995	Lockwood
D334,794 S	4/1993	Klose	D363,360 S	10/1995	Santarsiero
D335,171 S	4/1993	Lenci et al.	5,454,809 A	10/1995	Janssen
5,201,468 A	4/1993	Freier et al.	5,468,057 A	11/1995	Megerle et al.
5,206,963 A	5/1993	Wiens	D364,935 S	12/1995	deBlois
5,207,499 A	5/1993	Vajda et al.	D365,625 S	12/1995	Bova
5,213,267 A	5/1993	Heimann et al.	D365,646 S	12/1995	deBlois
5,220,697 A	6/1993	Birchfield	5,476,225 A	12/1995	Chan
D337,839 S	7/1993	Zeller	D366,309 S	1/1996	Huang
5,228,625 A	7/1993	Grassberger	D366,707 S	1/1996	Kaiser
5,230,106 A	7/1993	Henkin et al.	D366,708 S	1/1996	Santarsiero
D338,542 S	8/1993	Yuen	D366,709 S	1/1996	Szmanski

US D577,099 S

Page 5

D366,710 S	1/1996	Szymanski	D378,401 S	3/1997	Neufeld et al.
5,481,765 A	1/1996	Wang	5,613,638 A	3/1997	Blessing
D366,948 S	2/1996	Carbone	5,613,639 A	3/1997	Storm et al.
D367,315 S	2/1996	Andrus	5,615,837 A	4/1997	Roman
D367,333 S	2/1996	Swyst	5,624,074 A	4/1997	Parisi
D367,696 S	3/1996	Andrus	5,624,498 A	4/1997	Lee et al.
D367,934 S	3/1996	Carbone	D379,212 S	5/1997	Chan
D368,146 S	3/1996	Carbone	D379,404 S	5/1997	Spelts
D368,317 S	3/1996	Swyst	5,632,049 A	5/1997	Chen
5,499,767 A	3/1996	Morand	D381,405 S	7/1997	Waidele et al.
D368,539 S	4/1996	Carbone et al.	D381,737 S	7/1997	Chan
D368,540 S	4/1996	Santarsiero	D382,936 S	8/1997	Shfaram
D368,541 S	4/1996	Kaiser et al.	5,653,260 A	8/1997	Huber
D368,542 S	4/1996	deBlois et al.	5,667,146 A	9/1997	Pimentel et al.
D369,204 S	4/1996	Andrus	D385,332 S	10/1997	Andrus
D369,205 S	4/1996	Andrus	D385,333 S	10/1997	Caroen et al.
5,507,436 A	4/1996	Ruttenberg	D385,334 S	10/1997	Caroen et al.
D369,873 S	5/1996	deBlois et al.	D385,616 S	10/1997	Dow et al.
D369,874 S	5/1996	Santarsiero	D385,947 S	11/1997	Dow et al.
D369,875 S	5/1996	Carbone	D387,230 S	12/1997	von Buelow et al.
D370,052 S	5/1996	Chan et al.	5,699,964 A	12/1997	Bergmann et al.
D370,250 S	5/1996	Fawcett et al.	5,702,057 A	12/1997	Huber
D370,277 S	5/1996	Kaiser	D389,558 S	1/1998	Andrus
D370,278 S	5/1996	Nolan	5,704,080 A	1/1998	Kuhne
D370,279 S	5/1996	deBlois	5,718,380 A	2/1998	Schorn et al.
D370,280 S	5/1996	Kaiser	D392,369 S	3/1998	Chan
D370,281 S	5/1996	Johnstone et al.	5,730,361 A	3/1998	Thonnes
5,517,392 A	5/1996	Rouso et al.	5,730,362 A	3/1998	Cordes
5,521,803 A	5/1996	Eckert et al.	5,730,363 A	3/1998	Kress
D370,542 S	6/1996	Santarsiero	5,742,961 A	4/1998	Casperson et al.
D370,735 S	6/1996	deBlois	D394,490 S	5/1998	Andrus et al.
D370,987 S	6/1996	Santarsiero	5,746,375 A	5/1998	Guo
D370,988 S	6/1996	Santarsiero	5,749,552 A	5/1998	Fan
D371,448 S	7/1996	Santarsiero	5,749,602 A	5/1998	Delaney et al.
D371,618 S	7/1996	Nolan	D394,899 S	6/1998	Caroen et al.
D371,619 S	7/1996	Szymanski	D395,074 S	6/1998	Neibrook
D371,856 S	7/1996	Carbone	D395,075 S	6/1998	Neibrook et al.
D372,318 S	7/1996	Szymanski	D395,142 S	6/1998	Neibrook
D372,319 S	7/1996	Carbone	5,765,760 A	6/1998	Kuo
5,531,625 A	7/1996	Zhong	5,769,802 A	6/1998	Wang
5,539,624 A	7/1996	Dougherty	5,772,120 A	6/1998	Huber
D372,548 S	8/1996	Carbone	5,778,939 A	7/1998	Hok-Yin
D372,998 S	8/1996	Carbone	5,788,157 A	8/1998	Kress
D373,210 S	8/1996	Santarsiero	D398,370 S	9/1998	Purdy
D373,434 S	9/1996	Nolan	5,806,771 A	9/1998	Loschelder et al.
D373,435 S	9/1996	Nolan	5,819,791 A	10/1998	Chronister et al.
D373,645 S	9/1996	Johnstone et al.	5,820,574 A	10/1998	Henkin et al.
D373,646 S	9/1996	Szymanski et al.	5,823,431 A	10/1998	Pierce
D373,647 S	9/1996	Kaiser	5,823,442 A	10/1998	Guo
D373,648 S	9/1996	Kaiser	5,839,666 A	11/1998	Heimann et al.
D373,649 S	9/1996	Carbone	D402,350 S	12/1998	Andrus
D373,651 S	9/1996	Szymanski	D404,116 S	1/1999	Bosio
D373,652 S	9/1996	Kaiser	5,855,348 A	1/1999	Fornara
5,551,637 A	9/1996	Lo	5,860,599 A	1/1999	Lin
5,552,973 A	9/1996	Hsu	5,862,543 A	1/1999	Reynoso et al.
5,558,278 A	9/1996	Gallorini	5,862,985 A	1/1999	Neibrook et al.
D374,271 S	10/1996	Fleischmann	D405,502 S	2/1999	Tse
D374,297 S	10/1996	Kaiser	5,865,375 A	2/1999	Hsu
D374,298 S	10/1996	Swyst	5,865,378 A	2/1999	Hollinshead et al.
D374,299 S	10/1996	Carbone	5,873,647 A	2/1999	Kurtz et al.
D374,493 S	10/1996	Szymanski	D408,893 S	4/1999	Tse
D374,494 S	10/1996	Santarsiero	D409,276 S	5/1999	Ratzlaff
D374,732 S	10/1996	Kaiser	D410,276 S	5/1999	Ben-Tsur
D374,733 S	10/1996	Santarsiero	5,918,809 A	7/1999	Simmons
5,560,548 A	10/1996	Mueller et al.	5,918,811 A	7/1999	Denham et al.
5,567,115 A	10/1996	Carbone	D413,157 S	8/1999	Ratzlaff
D375,541 S	11/1996	Michaluk	5,937,905 A	8/1999	Santos
5,577,664 A	11/1996	Heitzman	5,947,388 A	9/1999	Woodruff
D376,217 S	12/1996	Kaiser	D415,247 S	10/1999	Haverstraw et al.
D376,860 S	12/1996	Santarsiero	5,961,046 A	10/1999	Joubran
D376,861 S	12/1996	Johnstone et al.	5,979,776 A	11/1999	Williams
D376,862 S	12/1996	Carbone	5,992,762 A	11/1999	Wang
5,605,173 A	2/1997	Arnaud	D418,200 S	12/1999	Ben-Tsur

US D577,099 S

5,997,047 A	12/1999	Pimentel et al.	D457,937 S	5/2002	Lindholm et al.
6,003,165 A	12/1999	Loyd	D458,348 S	6/2002	Mullenmeister
D418,902 S	1/2000	Haverstraw et al.	D461,224 S	8/2002	Lobermeier
D418,903 S	1/2000	Haverstraw et al.	D461,878 S	8/2002	Green et al.
D418,904 S	1/2000	Milrud	6,450,425 B1	9/2002	Chen
D421,099 S	2/2000	Mullenmeister	6,454,186 B2	9/2002	Haverstraw et al.
6,021,960 A	2/2000	Kehat	6,464,265 B1	10/2002	Mikol
D422,053 S	3/2000	Brenner et al.	D465,552 S	11/2002	Tse
6,042,027 A	3/2000	Sandvik	D465,553 S	11/2002	Singtoroj
6,042,155 A	3/2000	Lockwood	6,484,952 B2	11/2002	Koren
D422,336 S	4/2000	Haverstraw et al.	D468,800 S	1/2003	Tse
D422,337 S	4/2000	Chan	D469,165 S	1/2003	Lim
D423,083 S	4/2000	Haug et al.	6,502,796 B1	1/2003	Wales
D423,110 S	4/2000	Cipkowski	D470,219 S	2/2003	Schweitzer
D424,160 S	5/2000	Haug et al.	6,515,070 B2	2/2003	Macey
D424,161 S	5/2000	Haug et al.	D471,253 S	3/2003	Tse
D424,162 S	5/2000	Haug et al.	D471,953 S	3/2003	Colligan et al.
D424,163 S	5/2000	Haug et al.	6,533,194 B2	3/2003	Marsh et al.
D427,661 S	7/2000	Haverstraw et al.	6,550,697 B2	4/2003	Lai
D428,110 S	7/2000	Haug et al.	6,607,148 B1	8/2003	Marsh et al.
D428,125 S	7/2000	Chan	6,611,971 B1	9/2003	Antoniello et al.
6,085,780 A	7/2000	Morris	6,637,676 B2	10/2003	Zieger et al.
D430,267 S	8/2000	Milrud et al.	6,641,057 B2	11/2003	Thomas et al.
6,095,801 A	8/2000	Spiewak	6,659,117 B2	12/2003	Gilmore
D430,643 S	9/2000	Tse	D485,887 S	1/2004	Luetzgen et al.
6,123,272 A	9/2000	Havican et al.	D486,888 S	2/2004	Lobermeier
6,123,308 A	9/2000	Faisst	6,691,338 B2	2/2004	Zieger
D432,624 S	10/2000	Chan	D487,301 S	3/2004	Haug et al.
D432,625 S	10/2000	Chan	D487,498 S	3/2004	Blomstrom
D433,096 S	10/2000	Tse	6,701,953 B2	3/2004	Agosta
D433,097 S	10/2000	Tse	D490,498 S	5/2004	Golichowski
6,126,091 A	10/2000	Heitzman	6,739,523 B2	5/2004	Haverstraw et al.
6,126,290 A	10/2000	Veigel	D492,004 S *	6/2004	Haug et al. D23/213
D434,109 S	11/2000	Ko	D492,007 S	6/2004	Kollmann et al.
6,164,569 A	12/2000	Hollinshead et al.	6,742,725 B1	6/2004	Fan
6,164,570 A	12/2000	Smeltzer	D493,208 S	7/2004	Lin
D435,889 S	1/2001	Ben-Tsur et al.	D494,661 S	8/2004	Zieger et al.
6,199,580 B1	3/2001	Morris	D496,987 S	10/2004	Glunk
6,202,679 B1	3/2001	Titus	D497,974 S	11/2004	Haug et al.
D441,059 S	4/2001	Fleischmann	D498,514 S	11/2004	Haug et al.
D443,025 S	5/2001	Kollmann et al.	D500,121 S	12/2004	Blomstrom
D443,027 S	5/2001	Kollmann et al.	D500,549 S	1/2005	Blomstrom
D443,029 S	5/2001	Kollmann et al.	D501,242 S	1/2005	Blomstrom
6,223,998 B1	5/2001	Heitzman	D502,760 S	3/2005	Zieger et al.
6,230,984 B1	5/2001	Jager	D502,761 S	4/2005	Zieger et al.
6,230,988 B1	5/2001	Chao et al.	D503,774 S	4/2005	Zieger
6,230,989 B1	5/2001	Haverstraw et al.	D503,775 S	4/2005	Zieger
6,250,572 B1	6/2001	Chen	D503,966 S	4/2005	Zieger
D445,871 S	7/2001	Fan	D506,243 S	6/2005	Wu
6,254,014 B1	7/2001	Clearman et al.	D507,037 S	7/2005	Wu
6,270,278 B1	8/2001	Mauro	D509,280 S	9/2005	Bailey et al.
6,276,004 B1	8/2001	Bertrand et al.	D509,563 S	9/2005	Bailey et al.
6,283,447 B1	9/2001	Fleet	D510,123 S	9/2005	Tsai
6,286,764 B1	9/2001	Garvey et al.	6,981,661 B1	1/2006	Chen
D450,370 S	11/2001	Wales et al.	D520,109 S	5/2006	Wu
D450,805 S	11/2001	Lindholm et al.	7,070,125 B2	7/2006	Williams et al.
D450,806 S	11/2001	Lindholm et al.	D527,440 S	8/2006	Macan
D450,807 S	11/2001	Lindholm et al.	D528,631 S	9/2006	Gillette et al.
D451,169 S	11/2001	Lindholm et al.	7,100,845 B1	9/2006	Hsieh
D451,170 S	11/2001	Lindholm et al.	7,111,798 B2	9/2006	Thomas et al.
D451,171 S	11/2001	Lindholm et al.	7,114,666 B2	10/2006	Luetzgen et al.
D451,172 S	11/2001	Lindholm et al.	D533,253 S	12/2006	Luetzgen et al.
6,321,777 B1	11/2001	Wu	D534,239 S	12/2006	Dingler et al.
D451,583 S	12/2001	Lindholm et al.	7,156,325 B1	1/2007	Chen
D451,980 S	12/2001	Lindholm et al.	D556,295 S	11/2007	Genord et al.
D452,553 S	12/2001	Lindholm et al.	D562,941 S	2/2008	Pan
D452,725 S	1/2002	Lindholm et al.	D565,699 S	4/2008	Berberet
D452,897 S	1/2002	Gillette et al.	2005/0061896 A1	3/2005	Luetzgen et al.
D453,370 S	2/2002	Lindholm et al.	2005/0082824 A1	4/2005	Luetzgen et al.
D453,551 S	2/2002	Lindholm et al.	2006/0016913 A1	1/2006	Williams e al.
6,349,735 B2	2/2002	Gul	2006/0043214 A1	3/2006	Macan et al.
D454,938 S	3/2002	Lord	2007/0119980 A1	5/2007	Somerfield et al.
6,375,342 B1	4/2002	Koren et al.	2007/0246577 A1	10/2007	Leber

2007/0272770 A1 11/2007 Leber et al.

FOREIGN PATENT DOCUMENTS

CH	234284	3/1963
DE	352813	5/1922
DE	848627	9/1952
DE	854100	10/1952
DE	2360534	6/1974
DE	2806093	8/1979
DE	3107808	9/1982
DE	3246327	6/1984
DE	3440901	7/1985
DE	3706320	3/1988
DE	8804236	6/1988
DE	4034695	5/1991
DE	19608085	9/1996
EP	0167063	6/1985
EP	0478999	4/1992
EP	0514753	11/1992
EP	0617644	10/1994
EP	0683354	11/1995
EP	0687851	12/1995
EP	0695907	2/1996
EP	0719588	7/1996
EP	0721082	7/1996
EP	0733747	9/1996
EP	0808661	11/1997
EP	0726811	1/1998
FR	538538	6/1922
FR	873808	7/1942
FR	1039750	10/1953
FR	1098836	8/1955
FR	2596492	10/1987
FR	2695452	3/1994
GB	3314	12/1914
GB	129812	7/1919
GB	204600	10/1923
GB	634483	3/1950
GB	971866	10/1964

GB	1111126	4/1968
GB	2066074	1/1980
GB	2066704	7/1981
GB	2068778	8/1981
GB	2121319	12/1983
GB	10086	4/1984
GB	2155984	10/1985
GB	2156932 A	10/1985
GB	2199771	7/1988
GB	2298595	11/1996
IT	327400	7/1935
IT	350359	7/1937
IT	563459	5/1957
JP	S63-181459	11/1988
JP	H2-78660	6/1990
JP	4062238	2/1992
JP	4146708	5/1992
NE	8902957	6/1991
WO	WO93/12894	7/1993
WO	WO93/25839	12/1993
WO	WO98/30336	7/1998

OTHER PUBLICATIONS

Color Copy, Labeled 1B, Gemlo, available at least as early as Dec. 2, 1998.

Notice of Allowance, U.S. App. No. 29/298,749, 5 pages, Mar. 17, 2008.

Restriction Requirement, U.S. Appl. No. 29/250,735, 5 pages, Sep. 12, 2007.

Amendment and Response to Restriction Requirement, U.S. Appl. No. 29/250,735, 16 pages, Dec. 12, 2007.

Notice of Allowance, U.S. Appl. No. 29/250,735, 22 pages, Dec. 28, 2007.

Notice of Allowance, U.S. Appl. No. 29/298,749, 23 pages, Apr. 29, 2008.

Notice of Allowance, U.S. Appl. No. 29/250,735, 8 pages, Apr. 18, 2008.

* cited by examiner

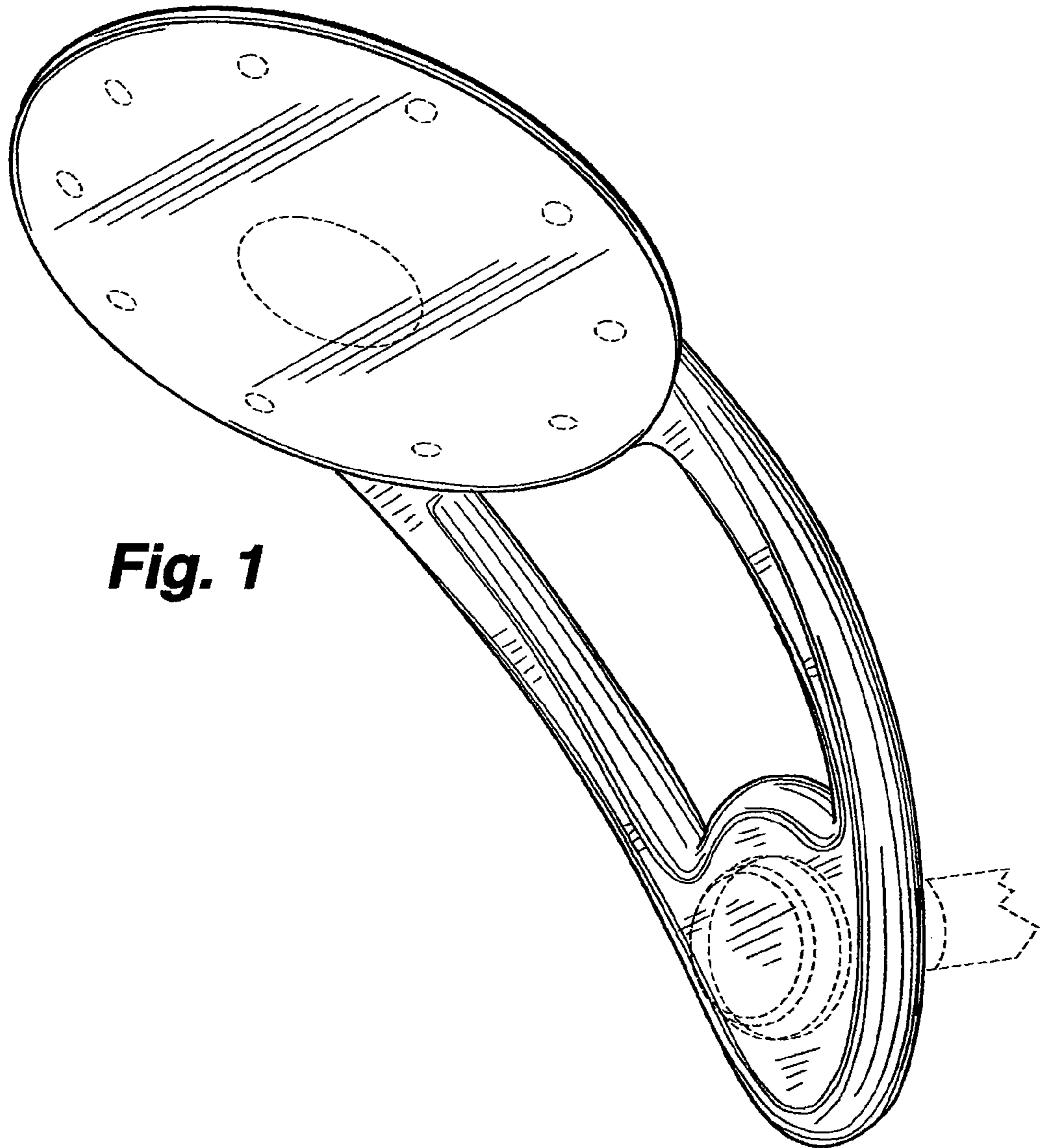


Fig. 1

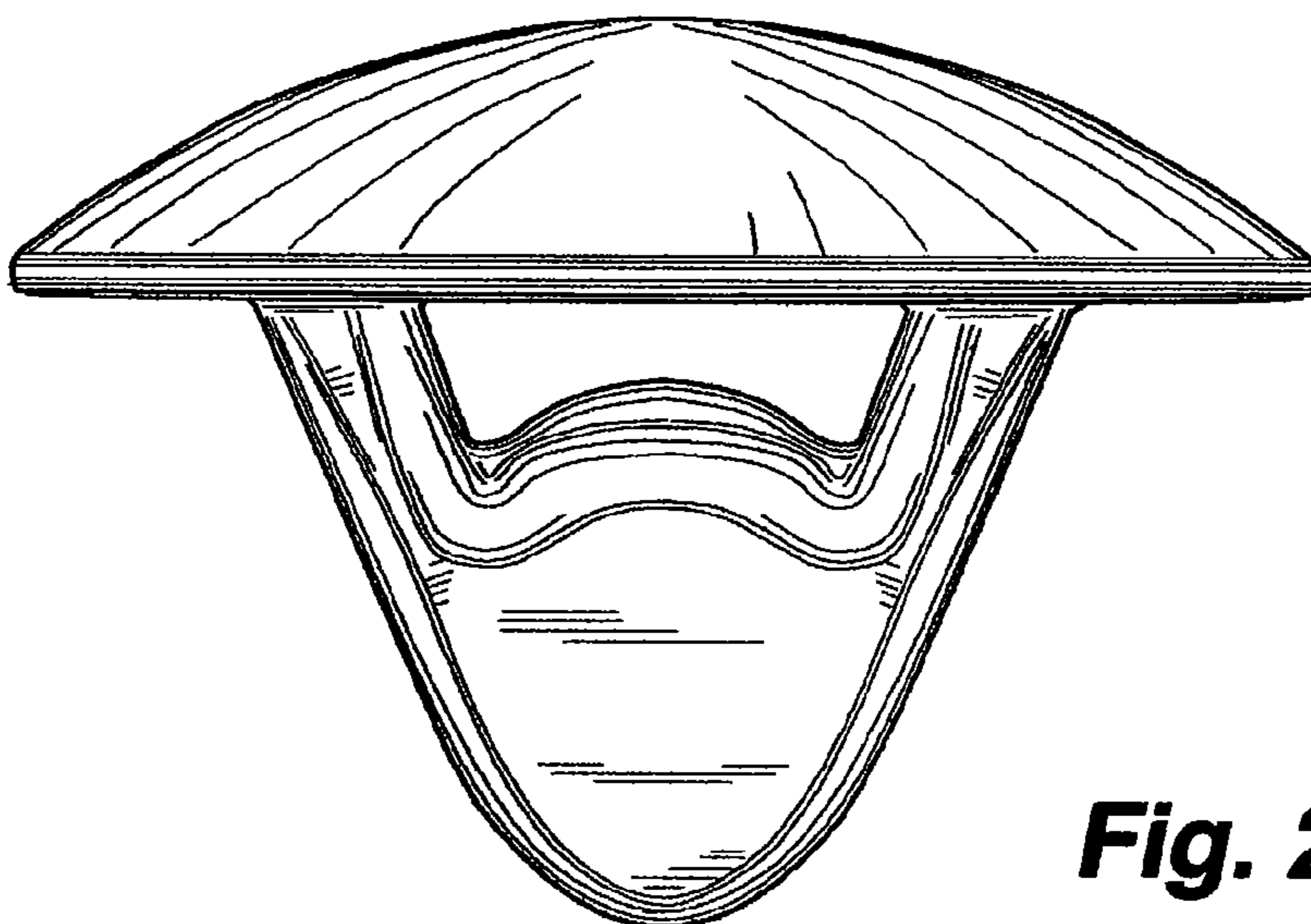


Fig. 2

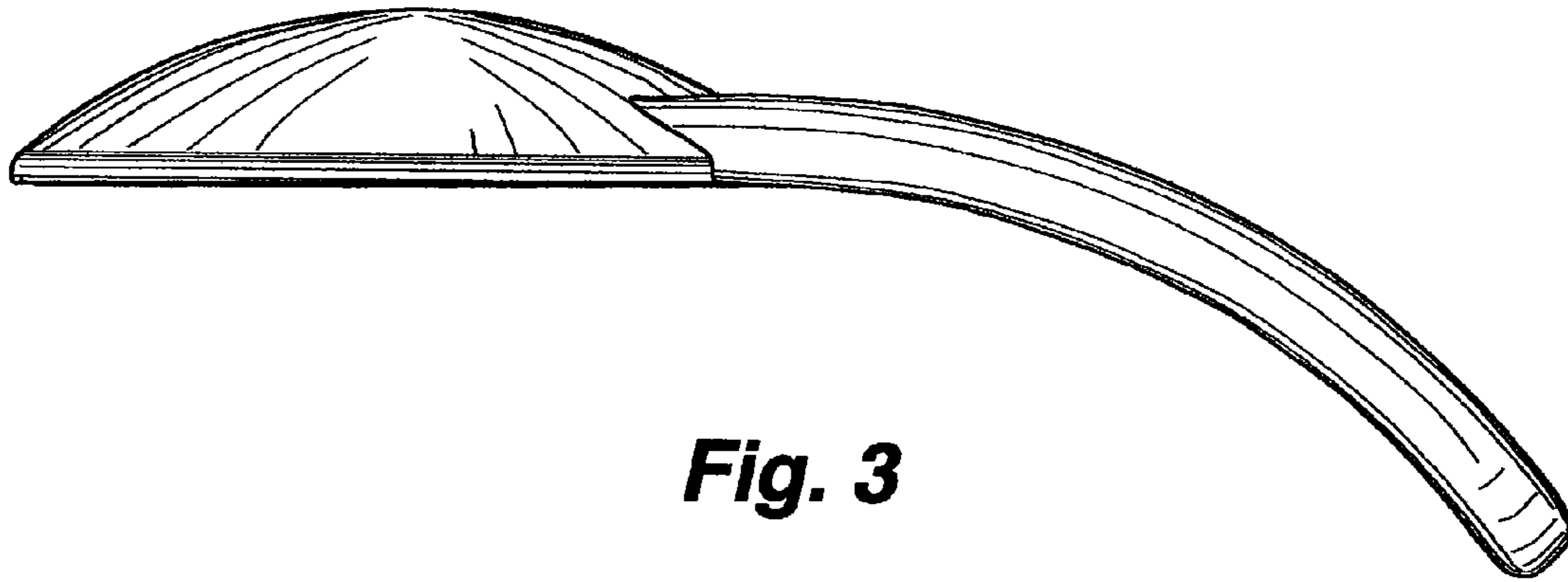


Fig. 3

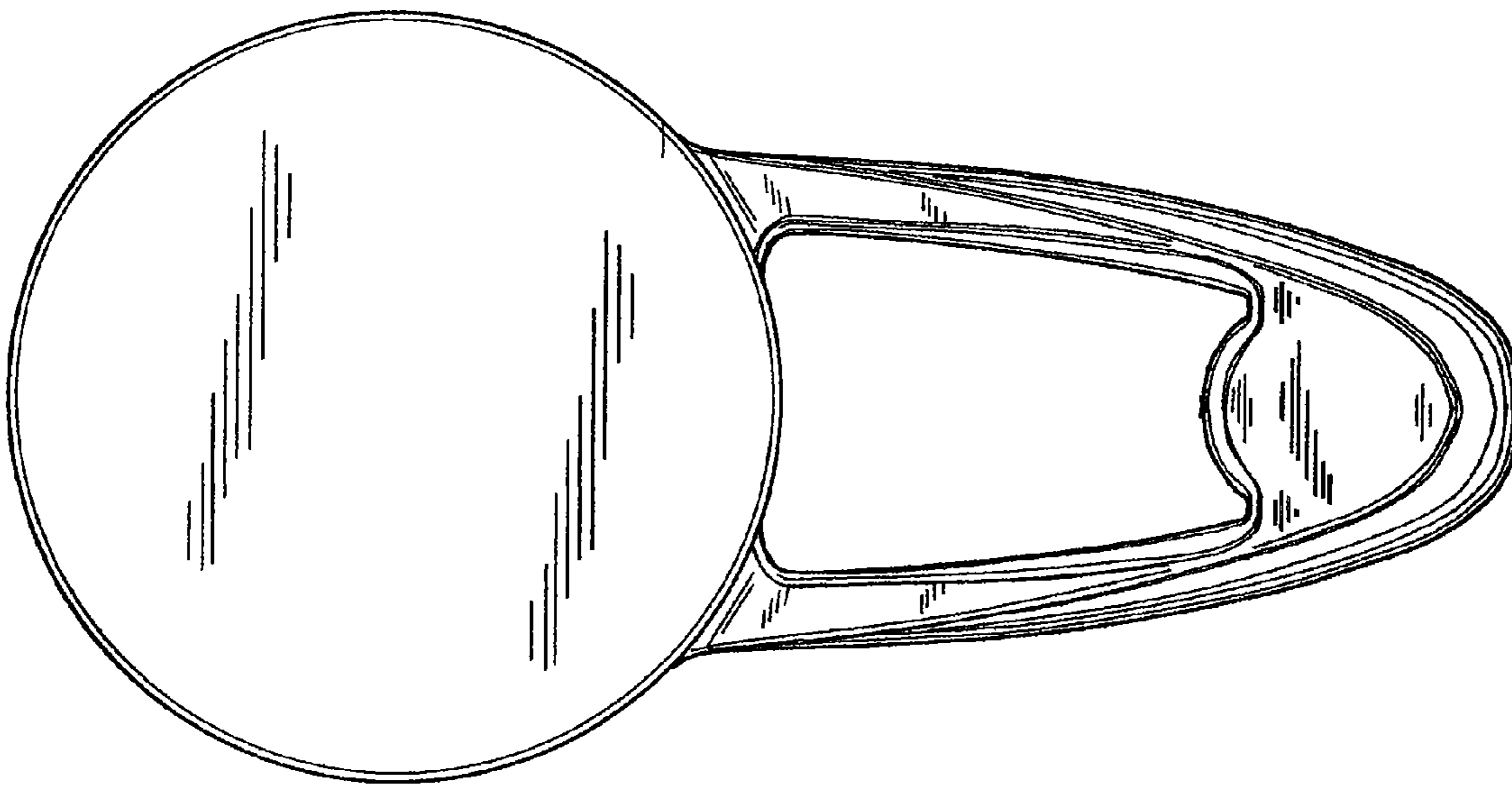


Fig. 4

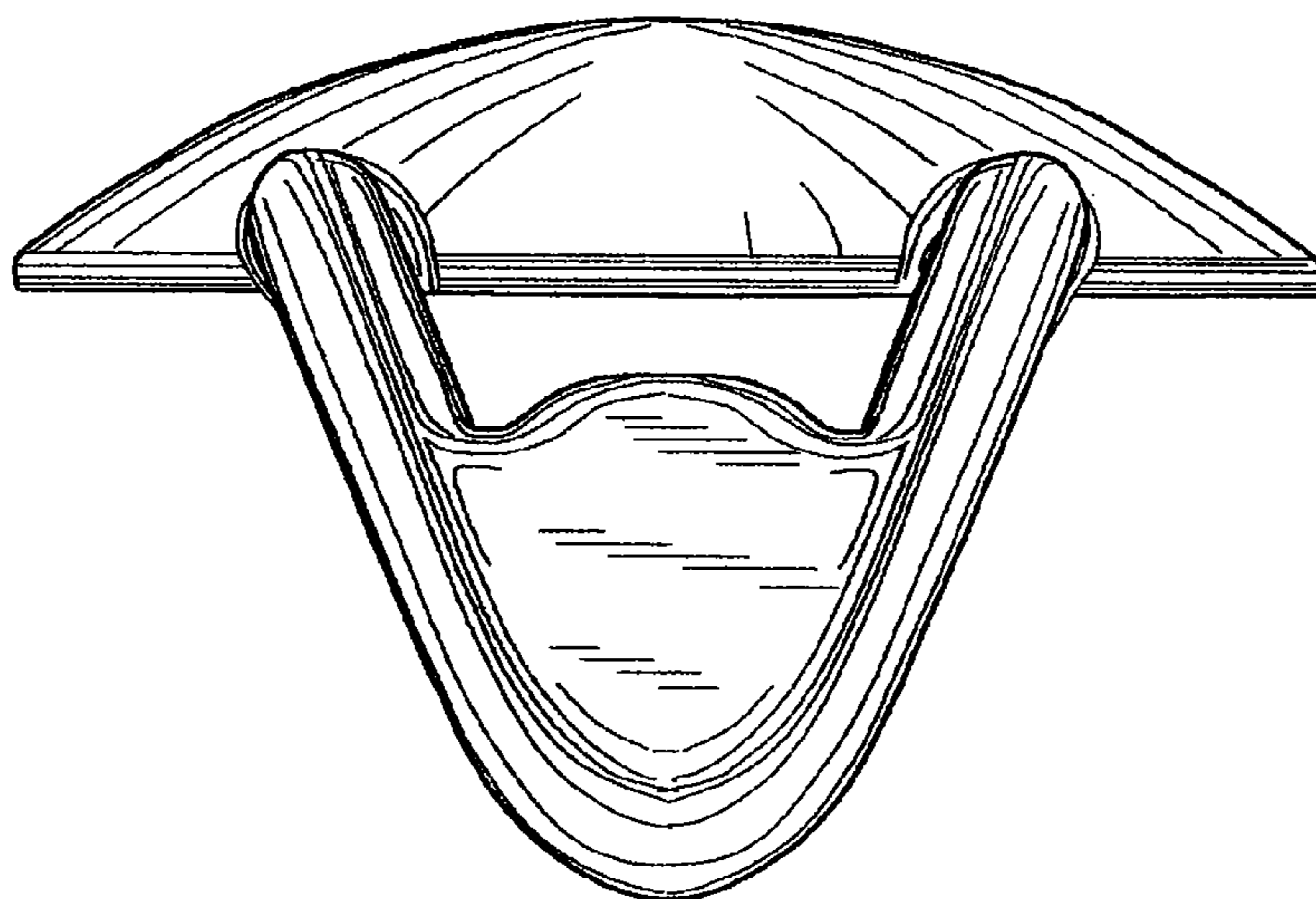


Fig. 5

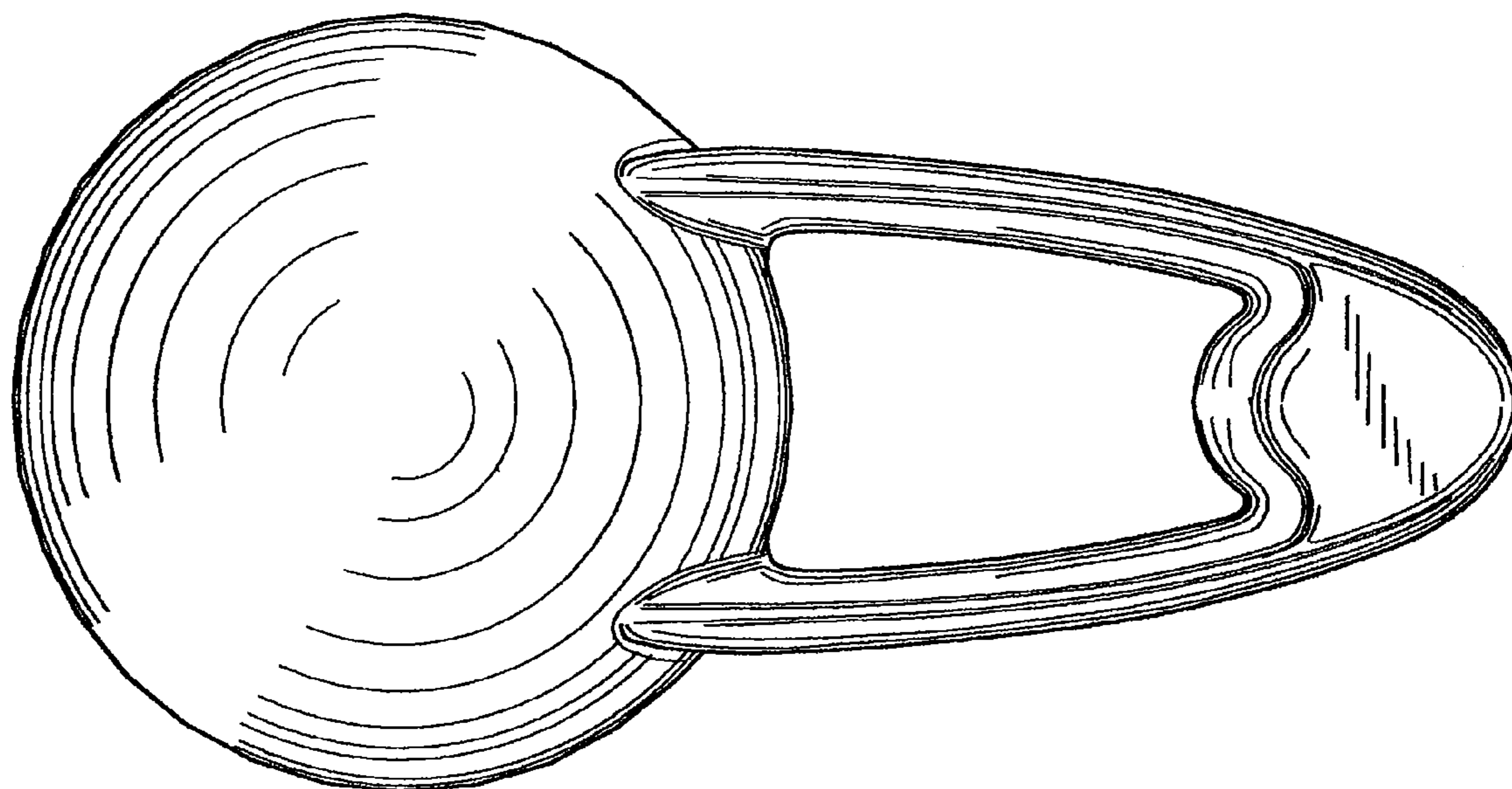


Fig. 6

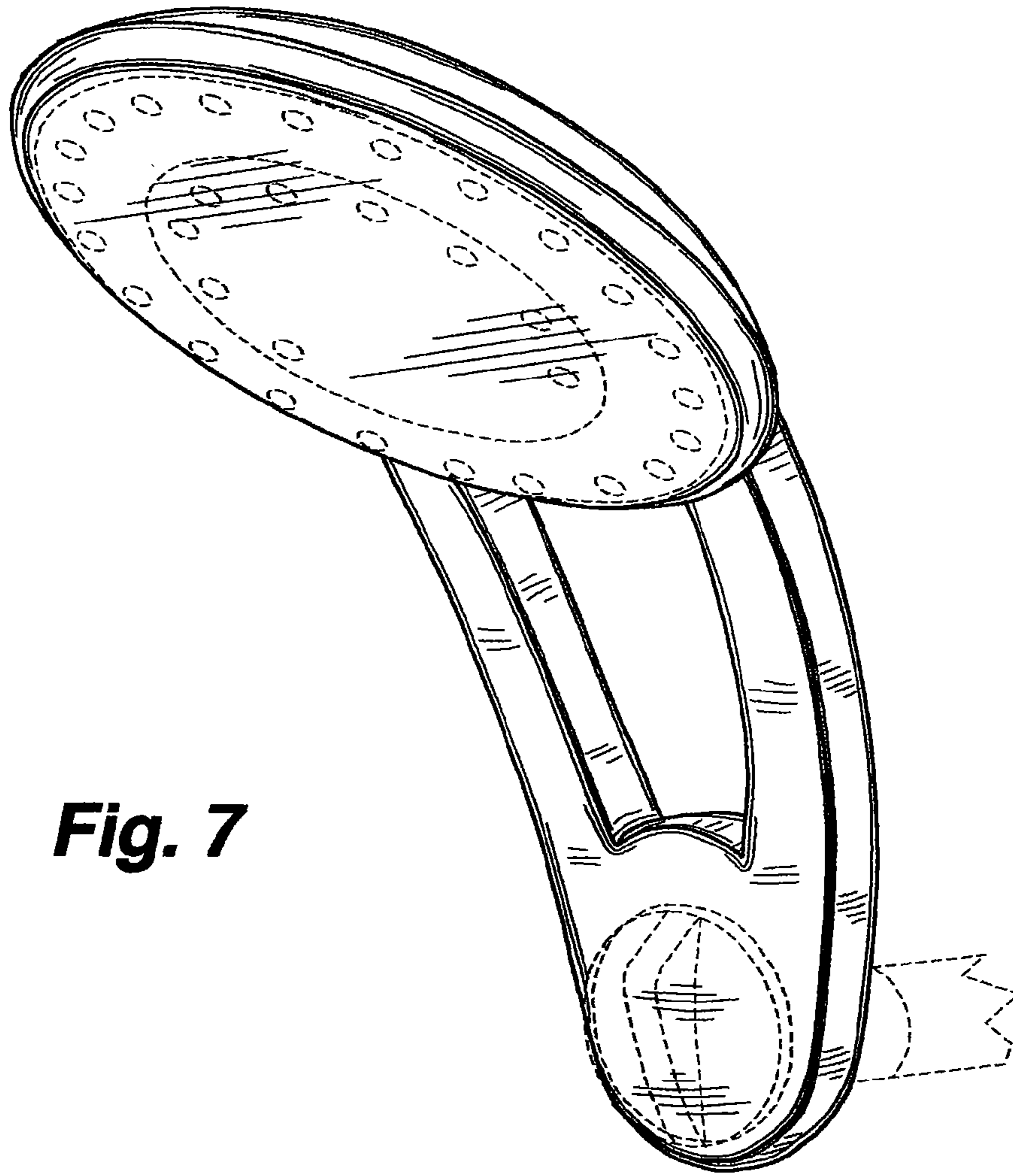


Fig. 7

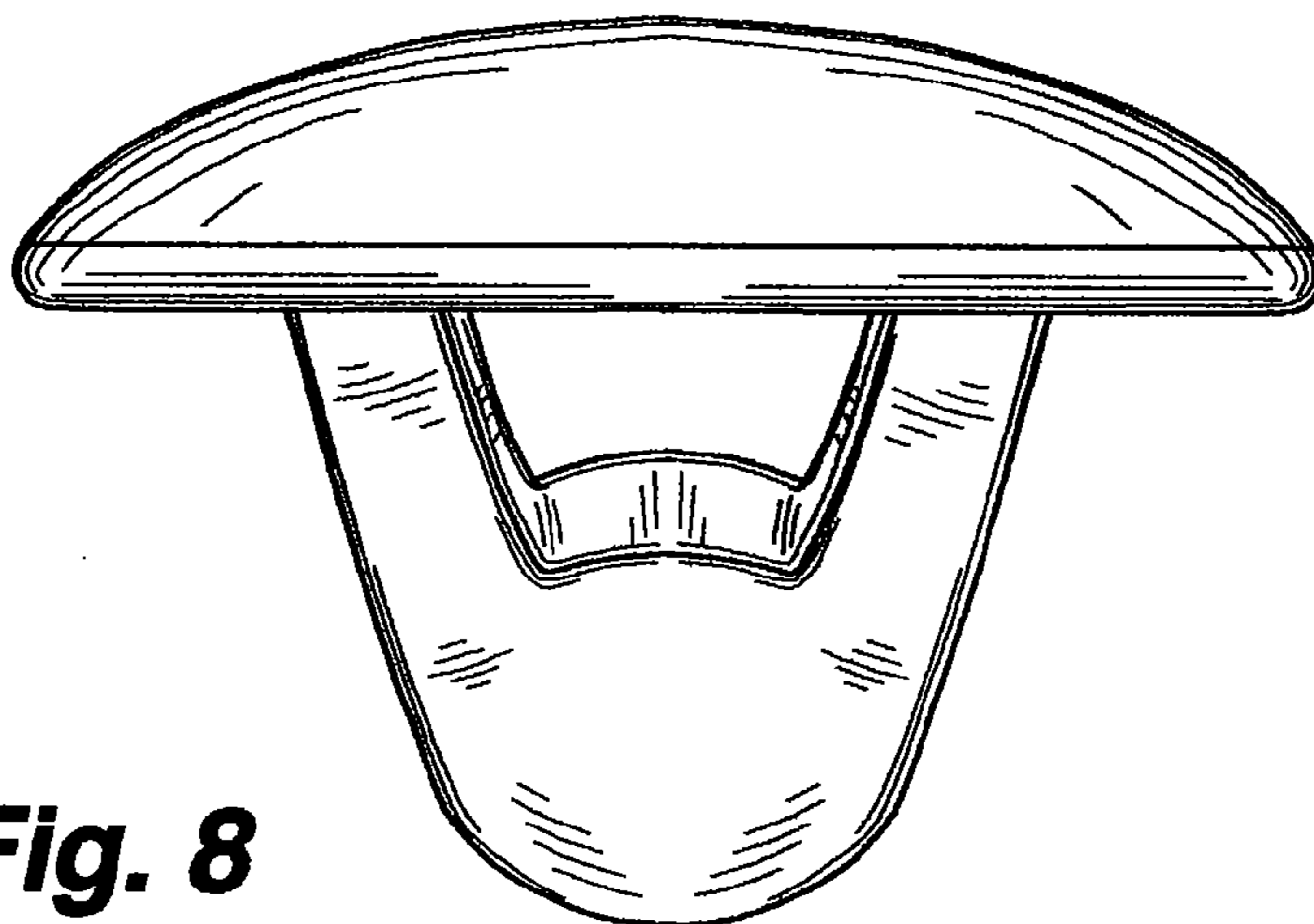


Fig. 8

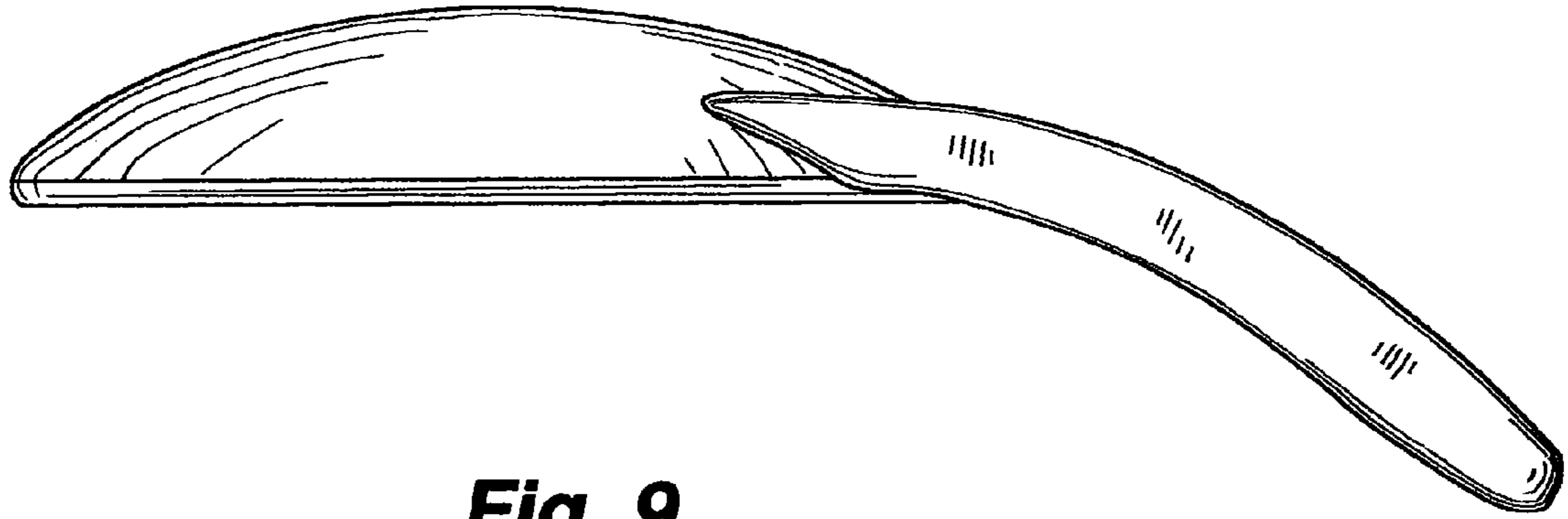


Fig. 9

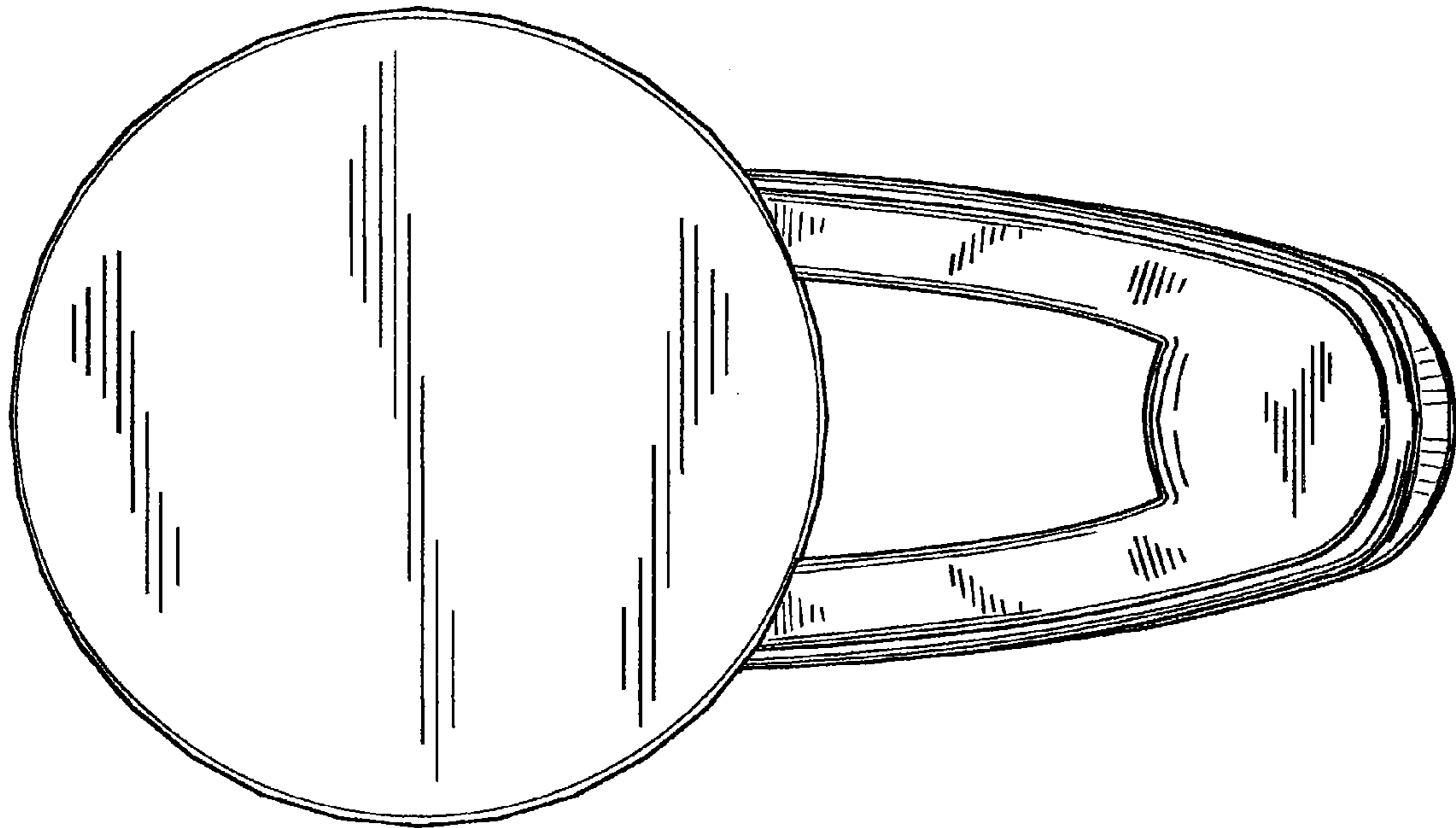


Fig. 10

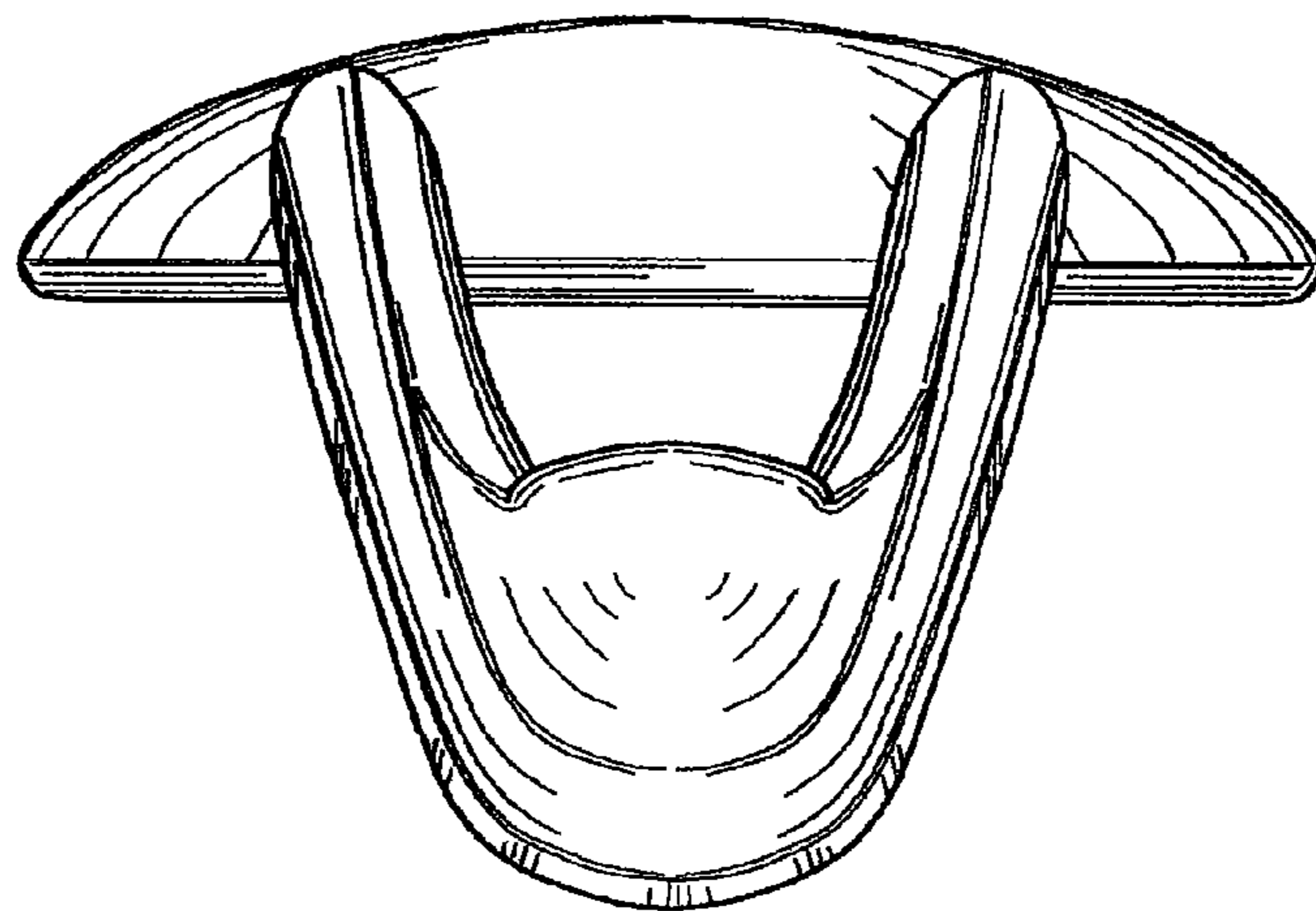


Fig. 11

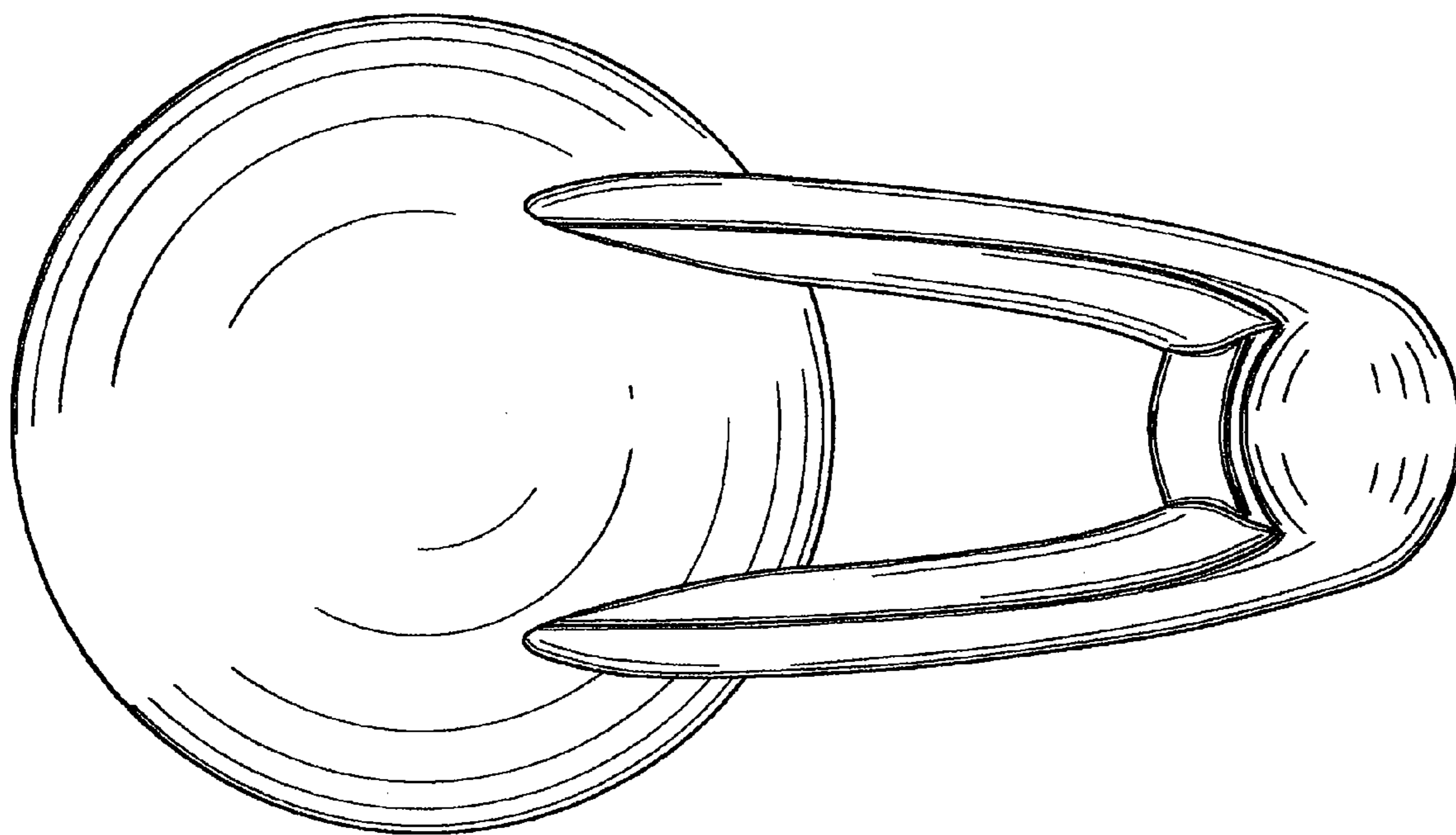


Fig. 12

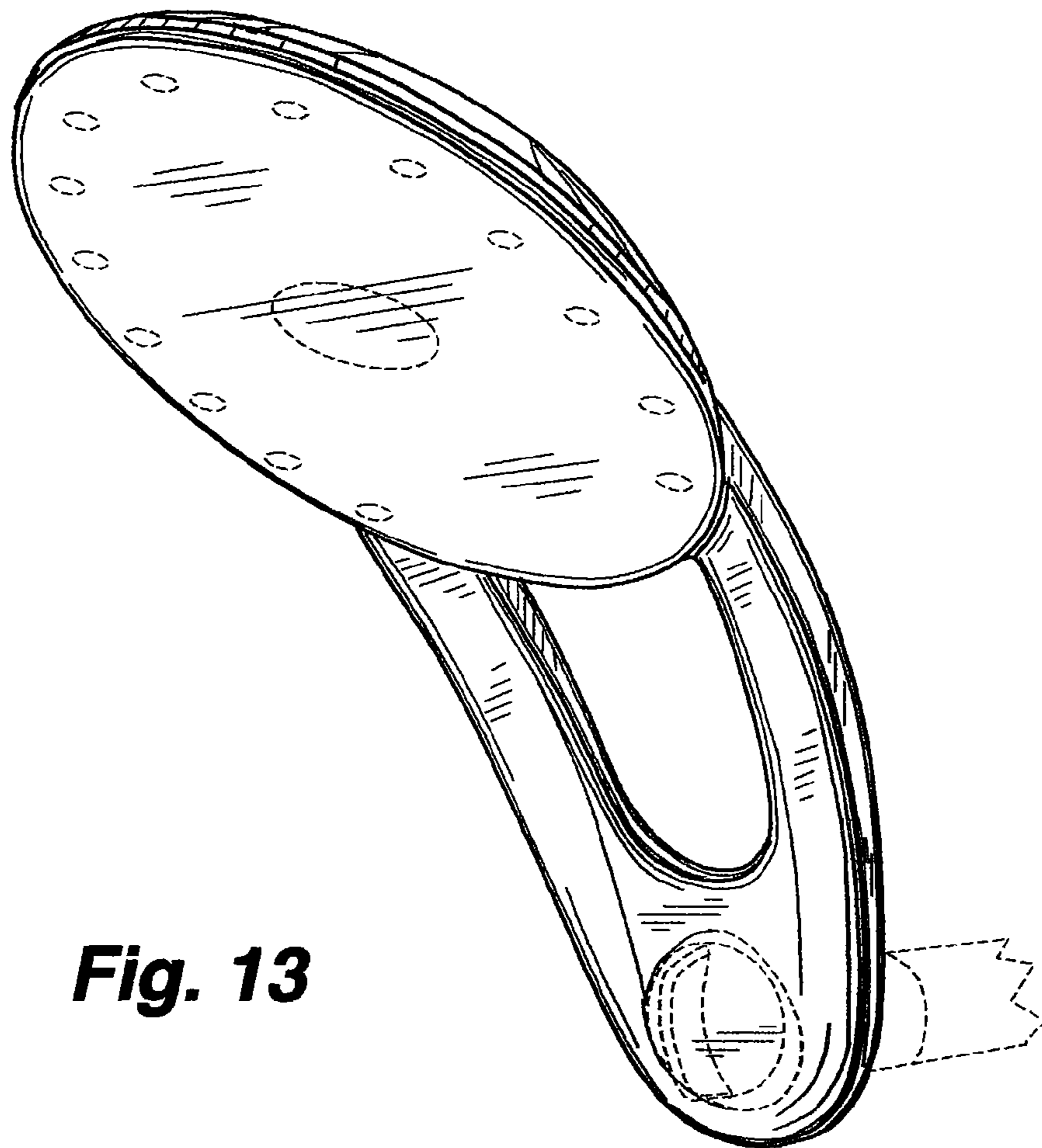


Fig. 13

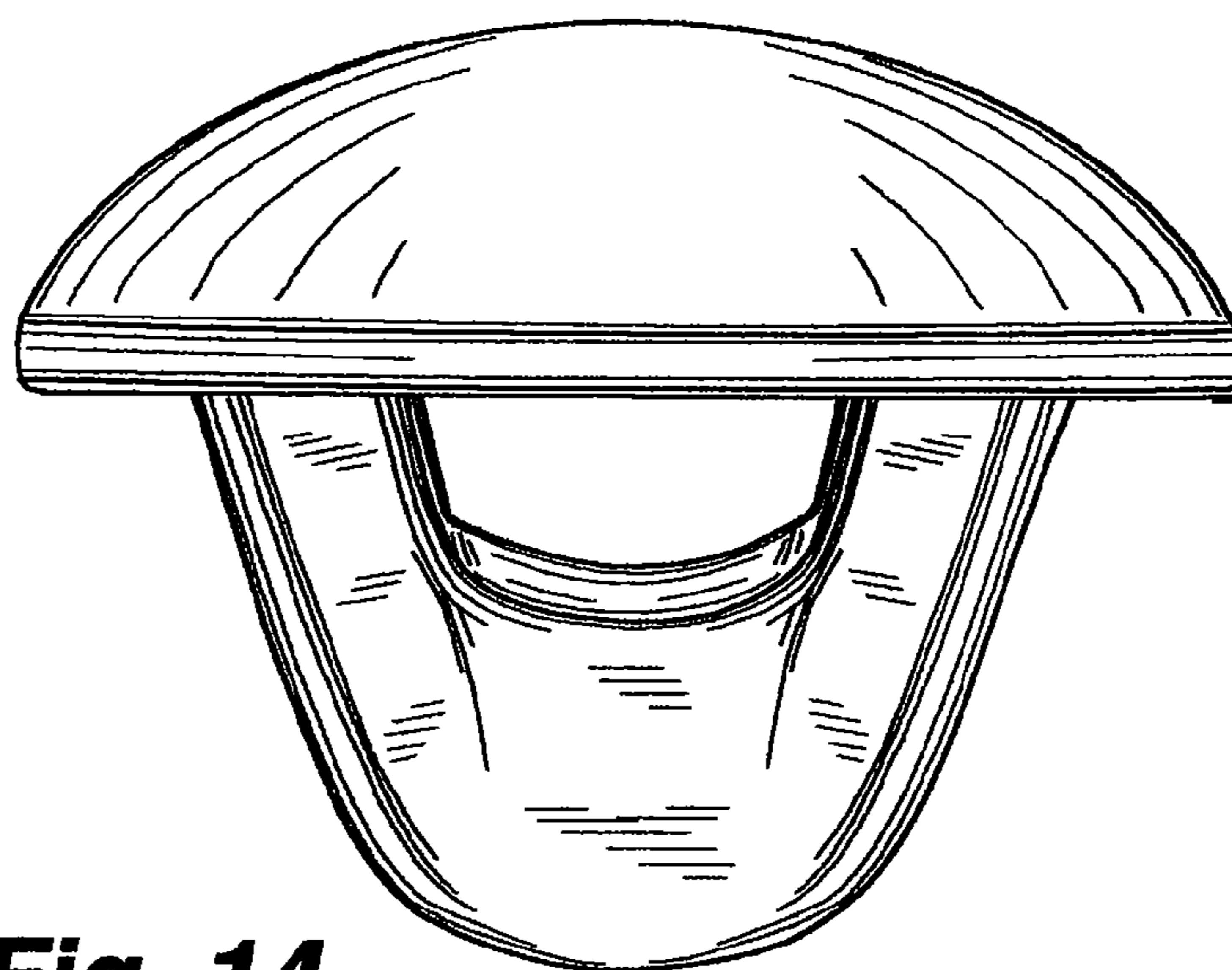


Fig. 14

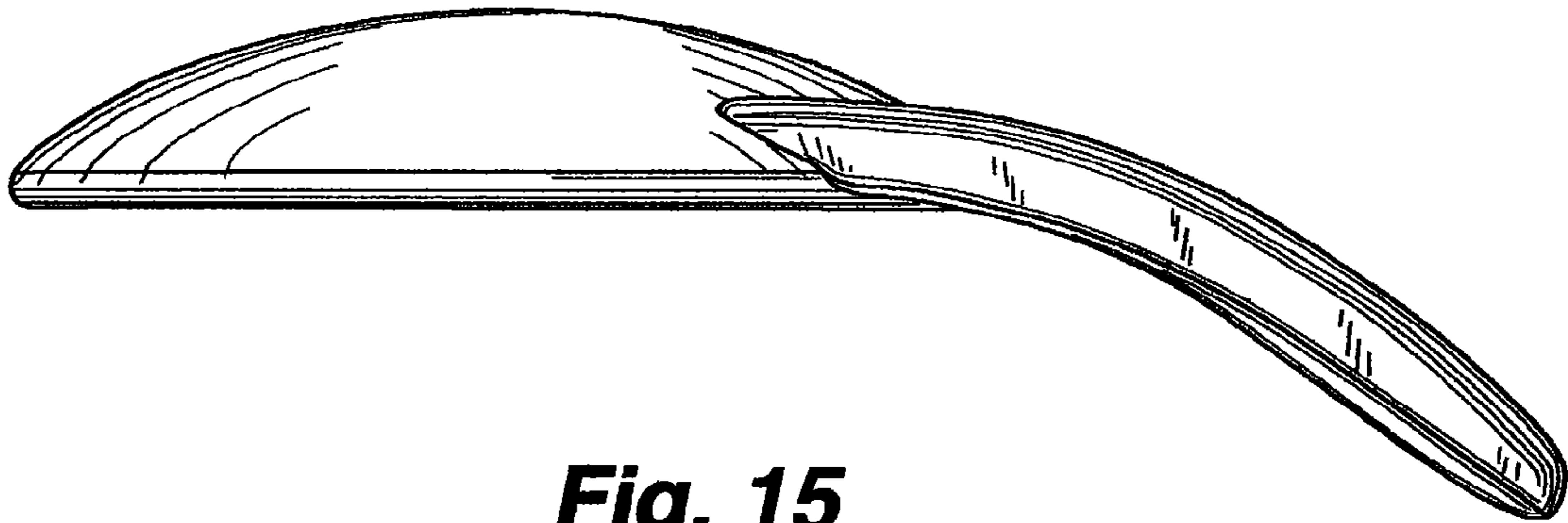


Fig. 15

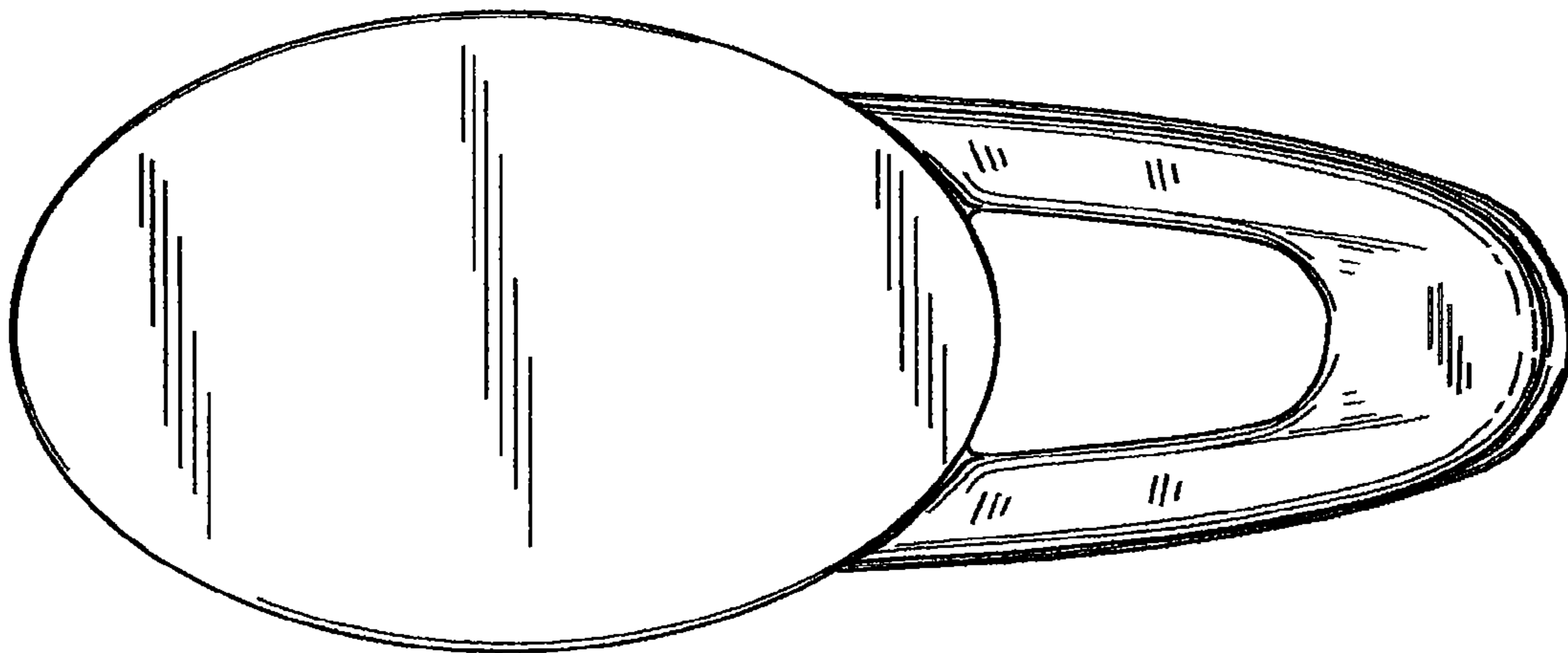


Fig. 16

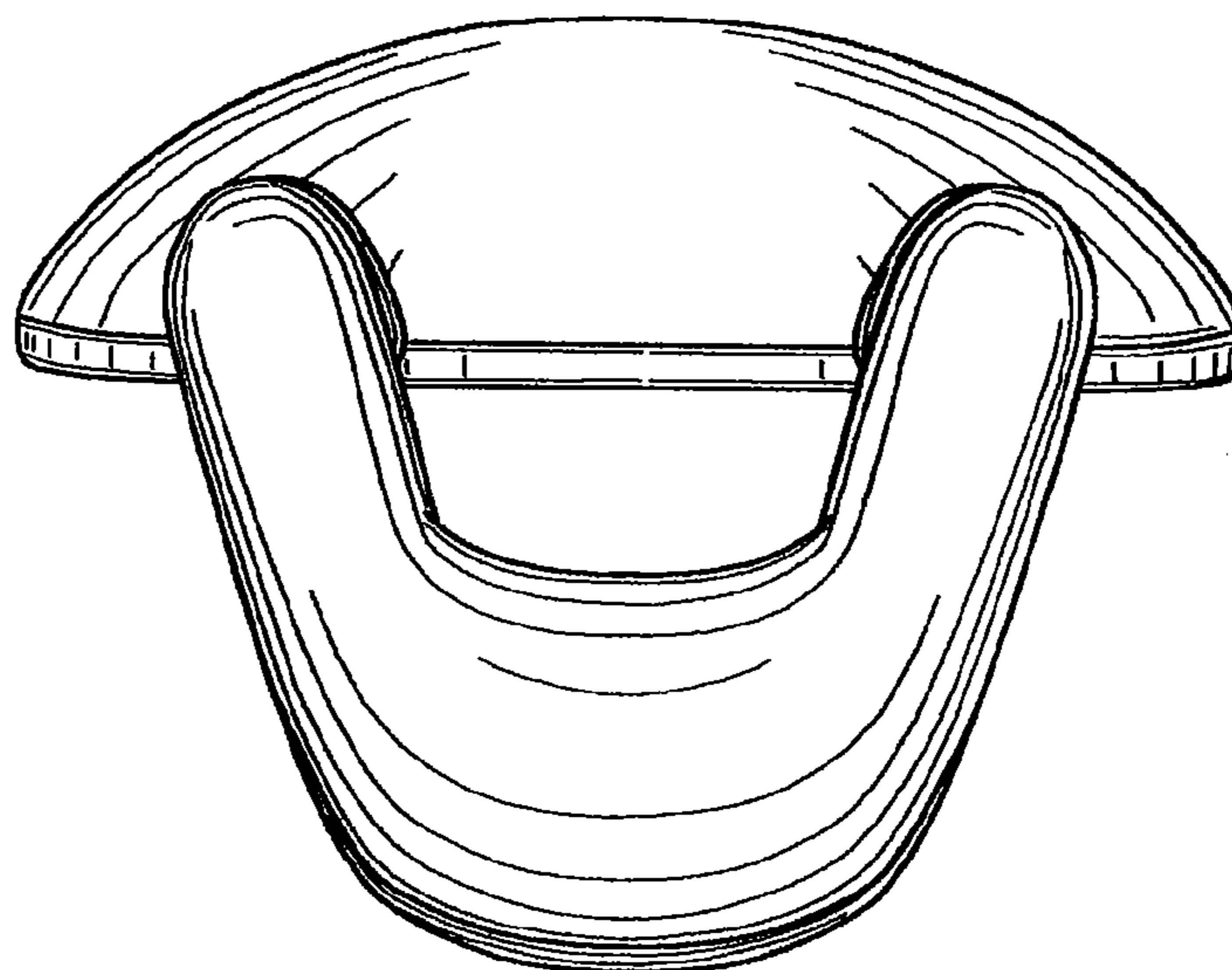


Fig. 17

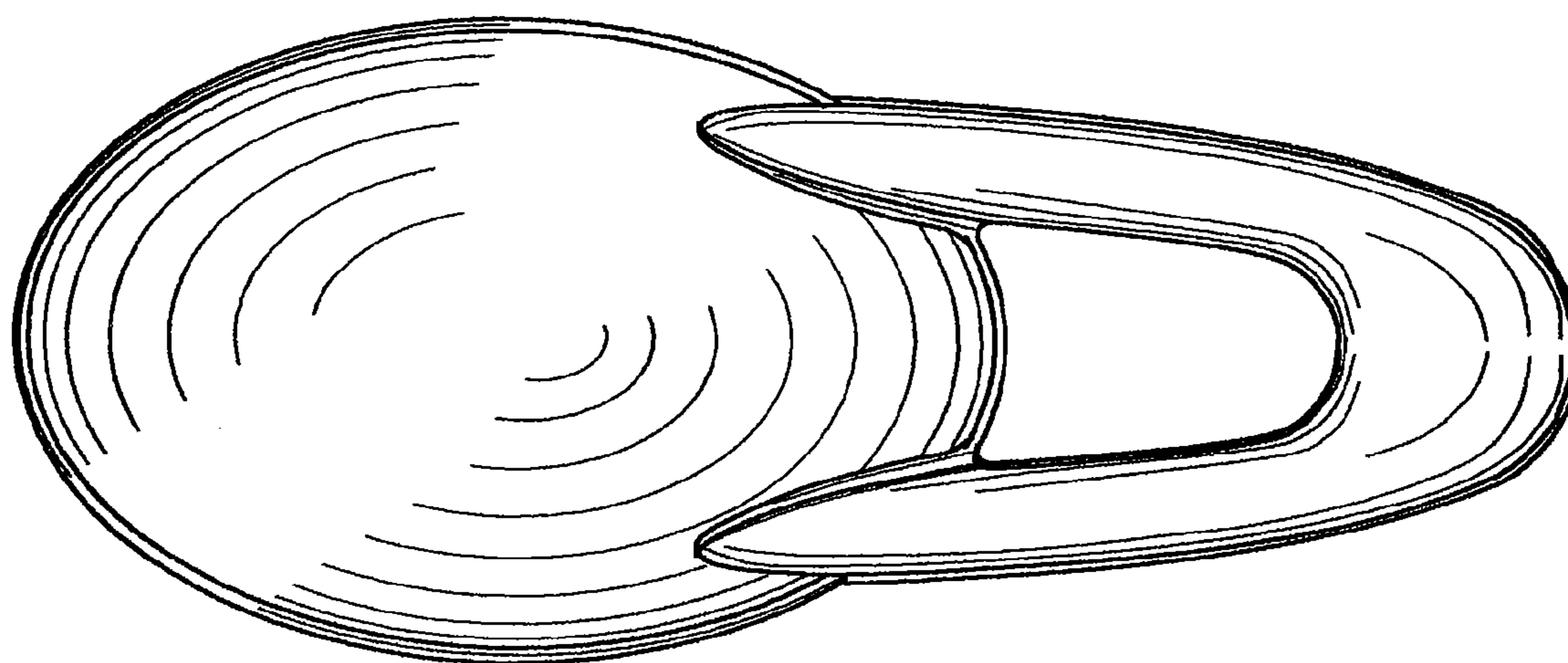


Fig. 18