



US00D577094S

(12) **United States Design Patent**
Wallace

(10) **Patent No.:** **US D577,094 S**
(45) **Date of Patent:** **** Sep. 16, 2008**

(54) **MOUNT FOR INSTALLING AN OPTICAL SIGHTING AID ON A RIFLE**

D561,864 S * 2/2008 Rigler D22/110

(75) Inventor: **William L. Wallace**, Fort Worth, TX (US)

* cited by examiner

Primary Examiner—Ian Simmons
Assistant Examiner—Wan Laymon

(73) Assignee: **XS Sight Systems, Inc.**, Ft Worth, TX (US)

(74) *Attorney, Agent, or Firm*—Charles W McHugh

(**) Term: **14 Years**

(57) **CLAIM**

(21) Appl. No.: **29/253,611**

The ornamental design for a “mount for installing an optical sighting aid on a rifle”, as shown and described.

(22) Filed: **Feb. 8, 2006**

DESCRIPTION

(51) **LOC (8) Cl.** **22-01**

FIG. 1 is a top plan view of a mount for installing an optical sighting aid on a rifle showing my new design;

(52) **U.S. Cl.** **D22/109**

FIG. 2 is a right side elevation view, with the left side elevation view being a mirror image thereof;

(58) **Field of Classification Search** D22/100,
D22/108–110, 199; 42/112, 124, 125–127,
42/136, 114; 89/37.01, 37.04, 37.03

FIG. 3 is a bottom plan view thereof;

See application file for complete search history.

FIG. 4 is an enlarged front elevation view thereof;

(56) **References Cited**

FIG. 5 is an enlarged cross-sectional view, taken by the lines V—V in FIG. 1;

U.S. PATENT DOCUMENTS

FIG. 6 is an enlarged cross-sectional view, taken by the lines VI—VI thereof;

- 4,905,396 A * 3/1990 Bechtel 42/127
- D318,313 S * 7/1991 Bechtel D22/110
- 5,035,487 A * 7/1991 Herz 359/896
- 5,522,166 A * 6/1996 Martel 42/124
- 5,806,228 A * 9/1998 Martel et al. 42/124
- D410,061 S * 5/1999 Emerson D22/110
- D435,885 S * 1/2001 Wallace D22/110
- D487,792 S * 3/2004 Selvaggio D22/110
- D500,114 S * 12/2004 Oz D22/109
- D510,120 S * 9/2005 Ding D22/110
- D548,811 S * 8/2007 Swan D22/109
- 7,305,789 B2 * 12/2007 Frost 42/125

FIG. 7 is an enlarged cross-sectional view, taken by the lines VII—VII thereof;

FIG. 8 is an enlarged cross-sectional view, taken by the lines VIII—VIII thereof;

FIG. 9 is an enlarged cross-sectional view, taken by the lines IX—IX thereof;

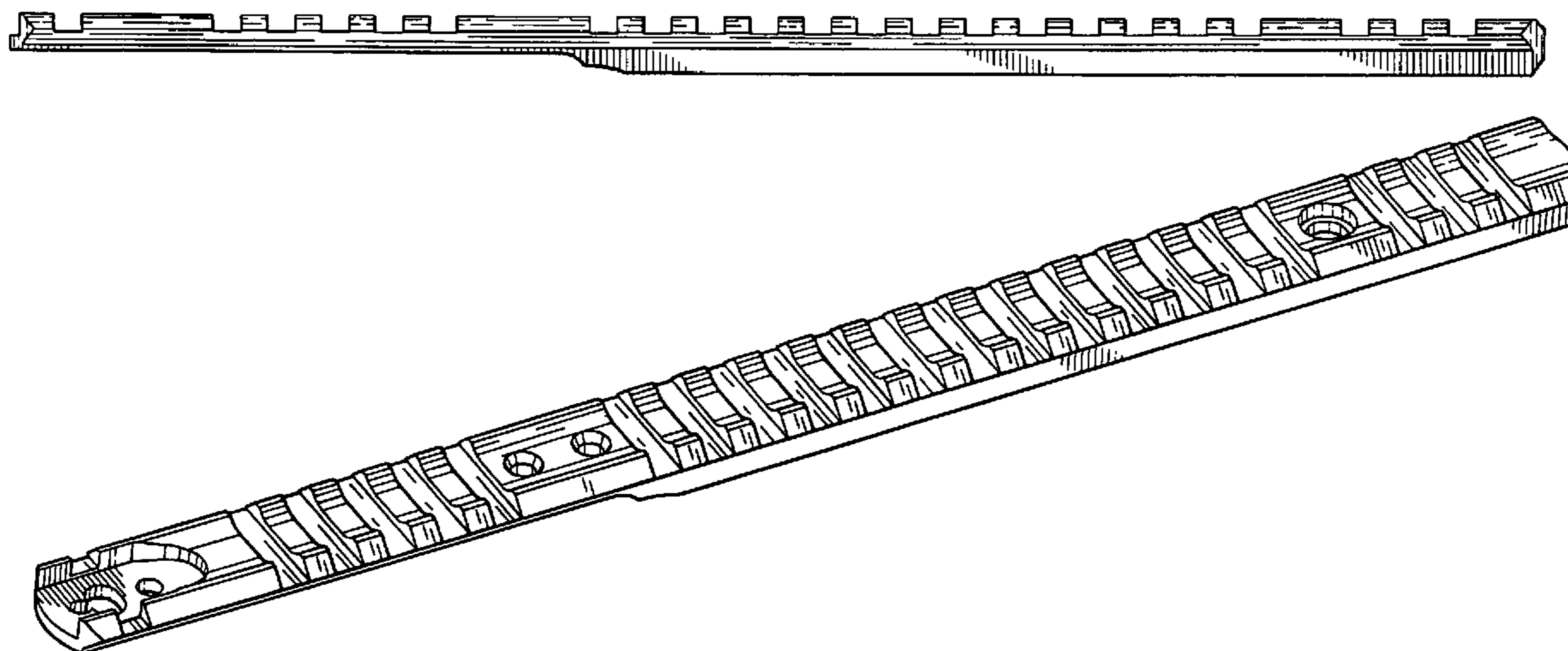
FIG. 10 is an enlarged rear elevational view of FIG. 1;

FIG. 11 is a top and front perspective view thereof;

FIG. 12 is a rear and bottom perspective view thereof; and,

FIG. 13 is a front and bottom perspective view thereof.

1 Claim, 5 Drawing Sheets



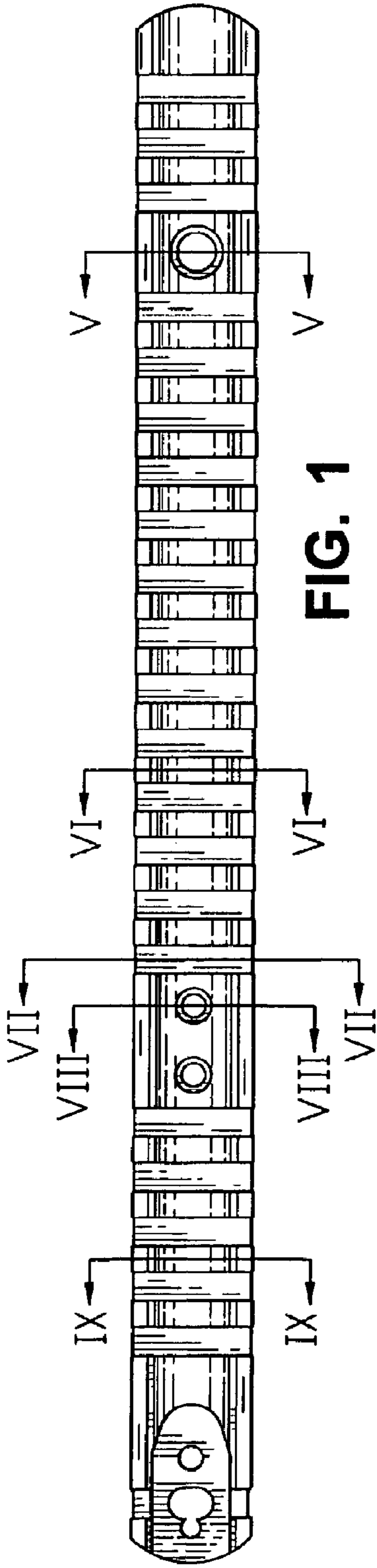


FIG. 1

FIG. 2

FIG. 3

FIG. 4

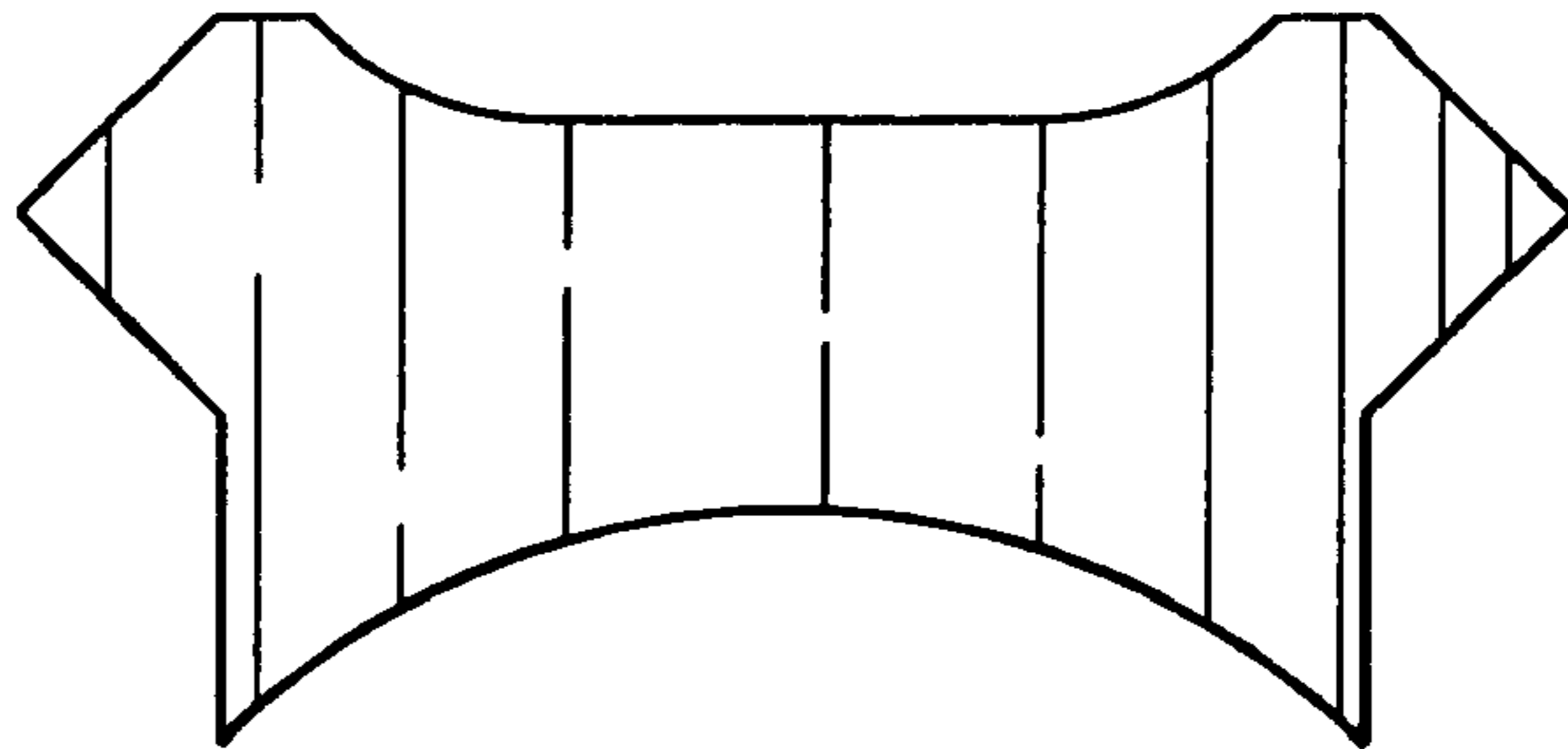


FIG. 5

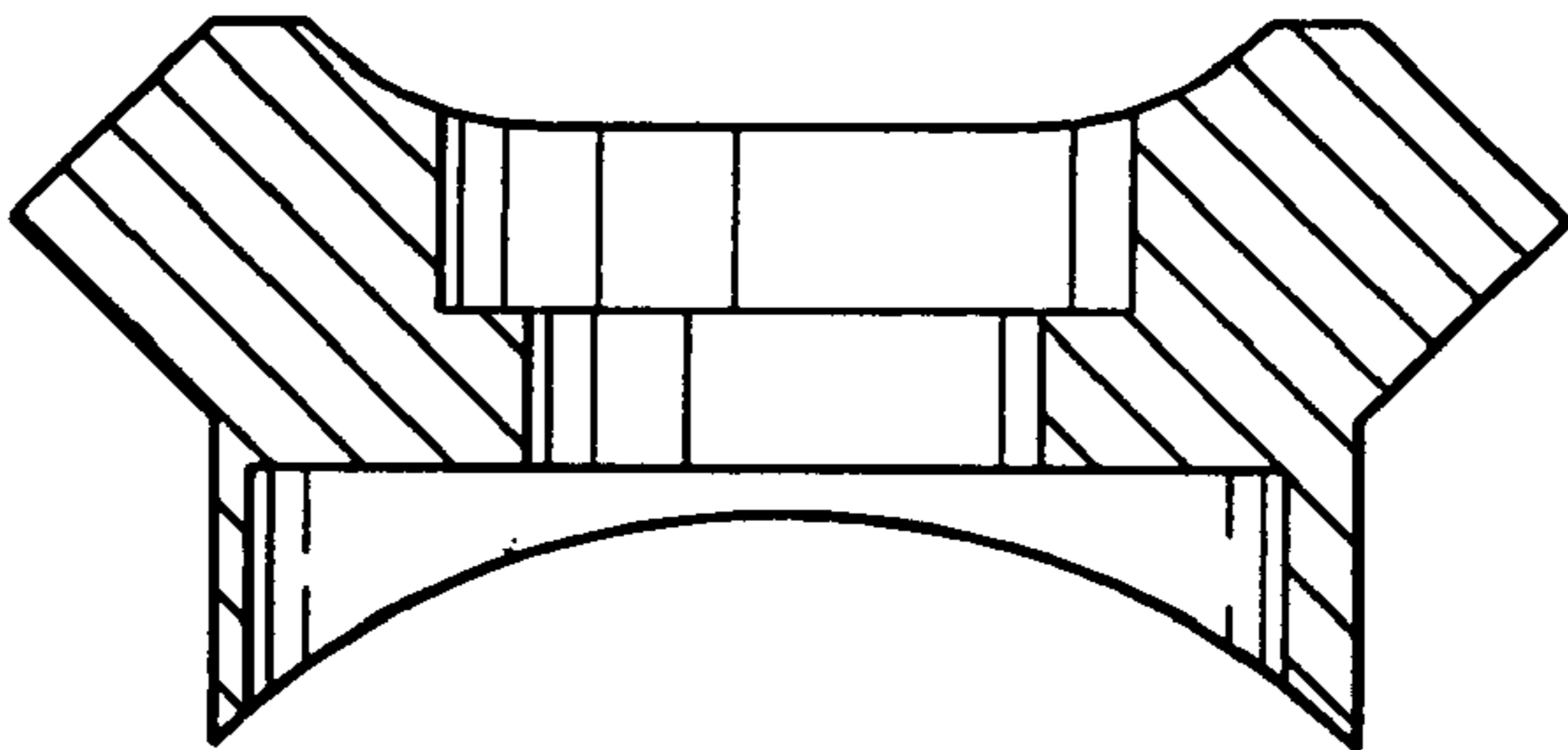


FIG. 6

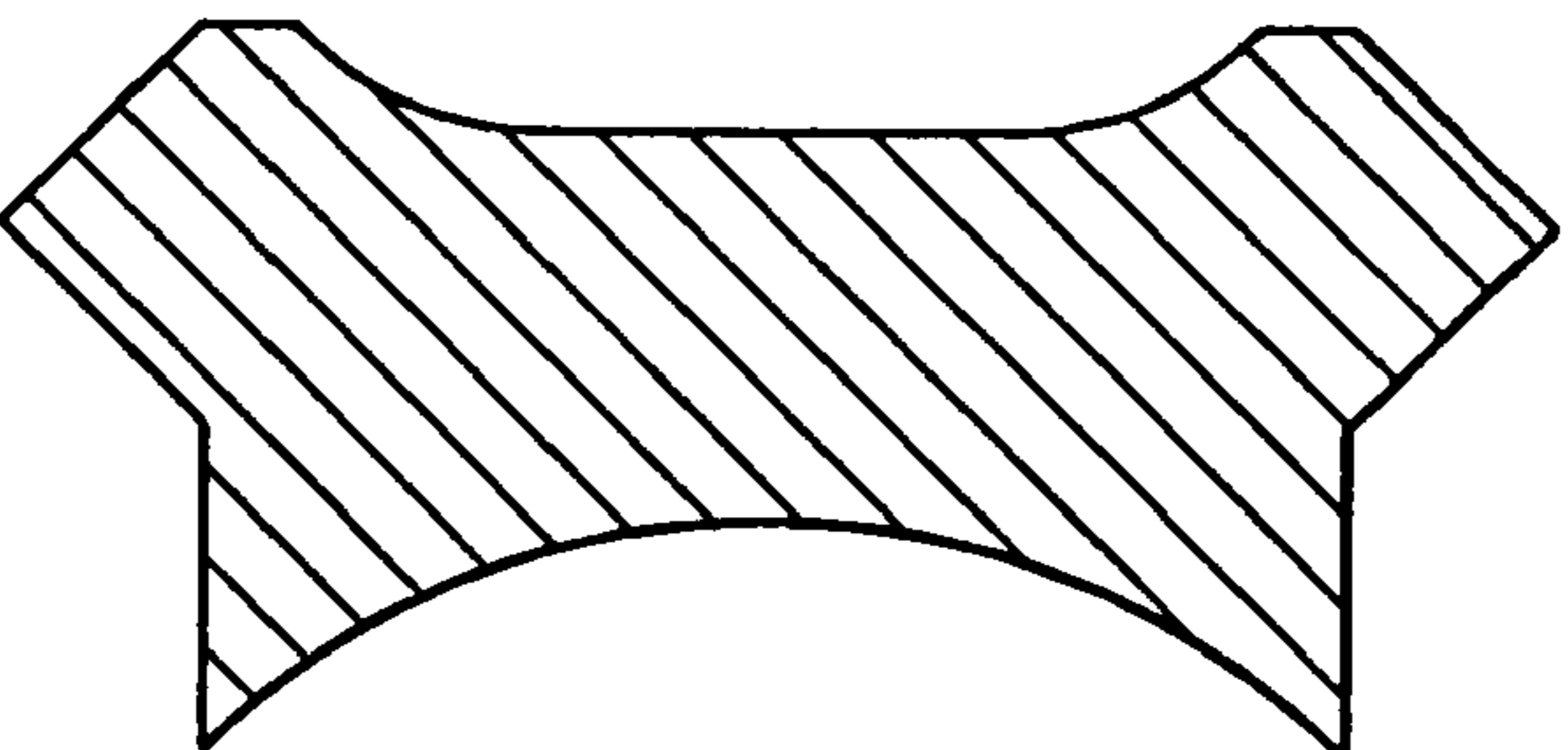


FIG. 7

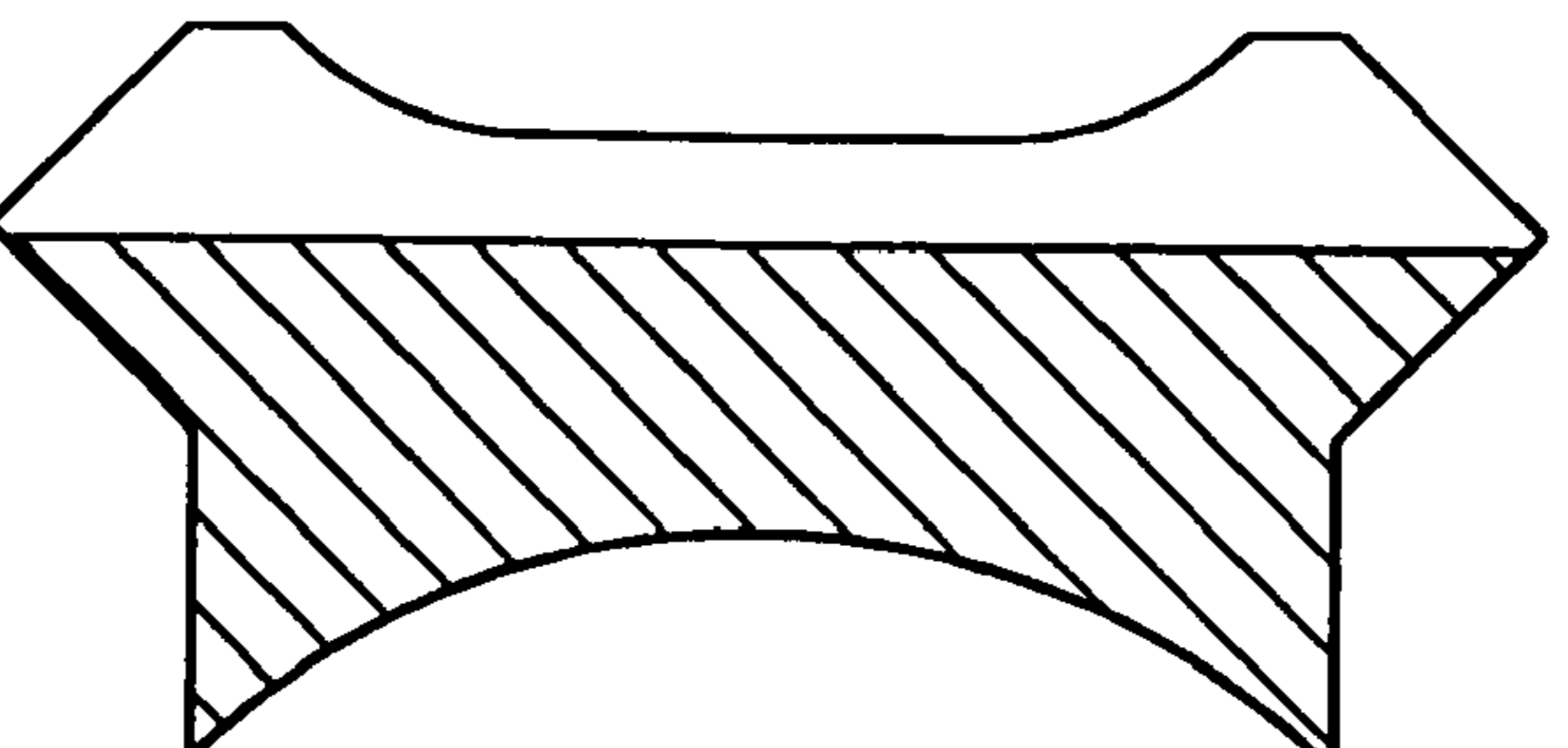


FIG. 8

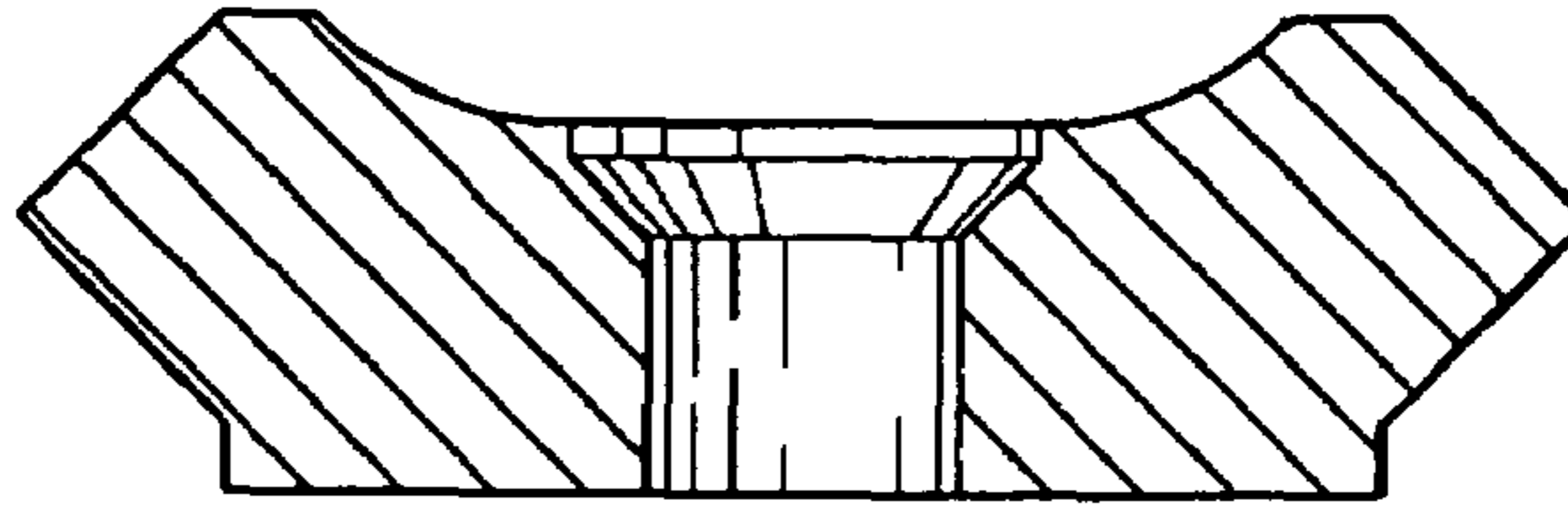


FIG. 9

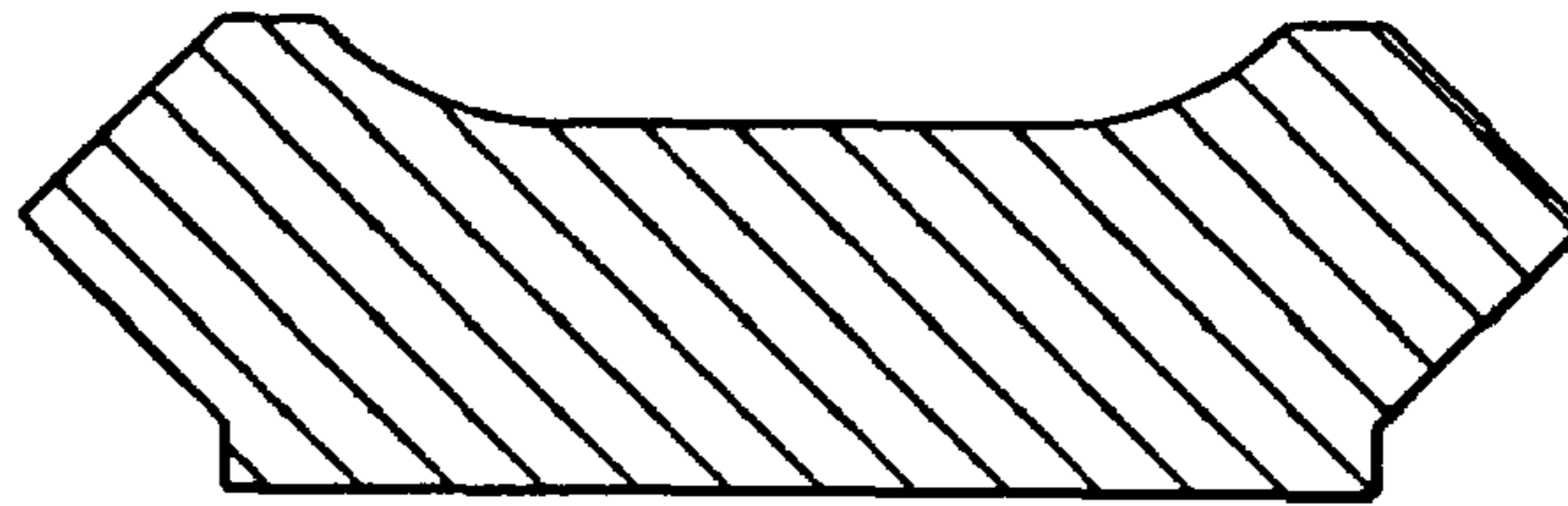
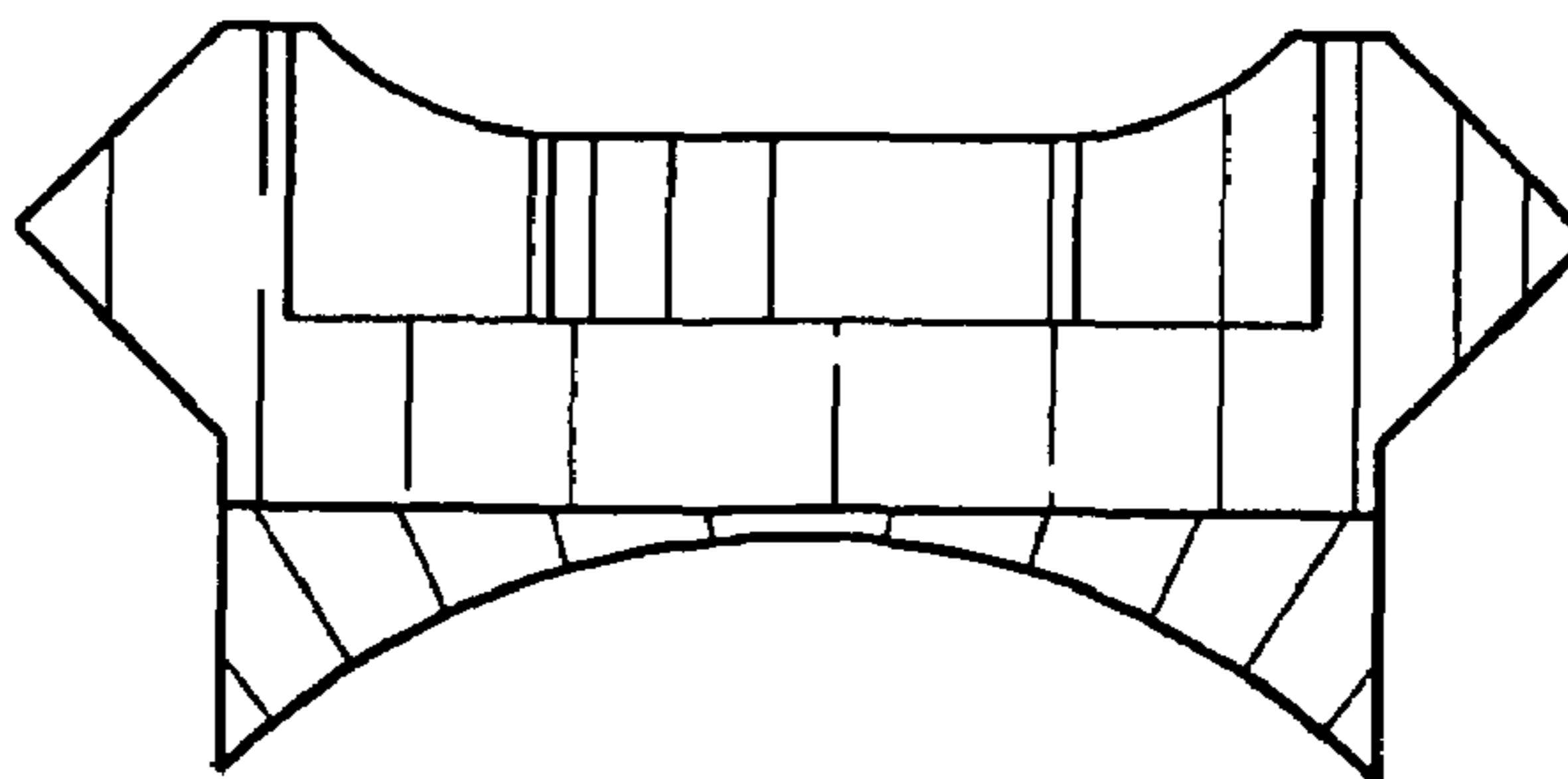


FIG. 10



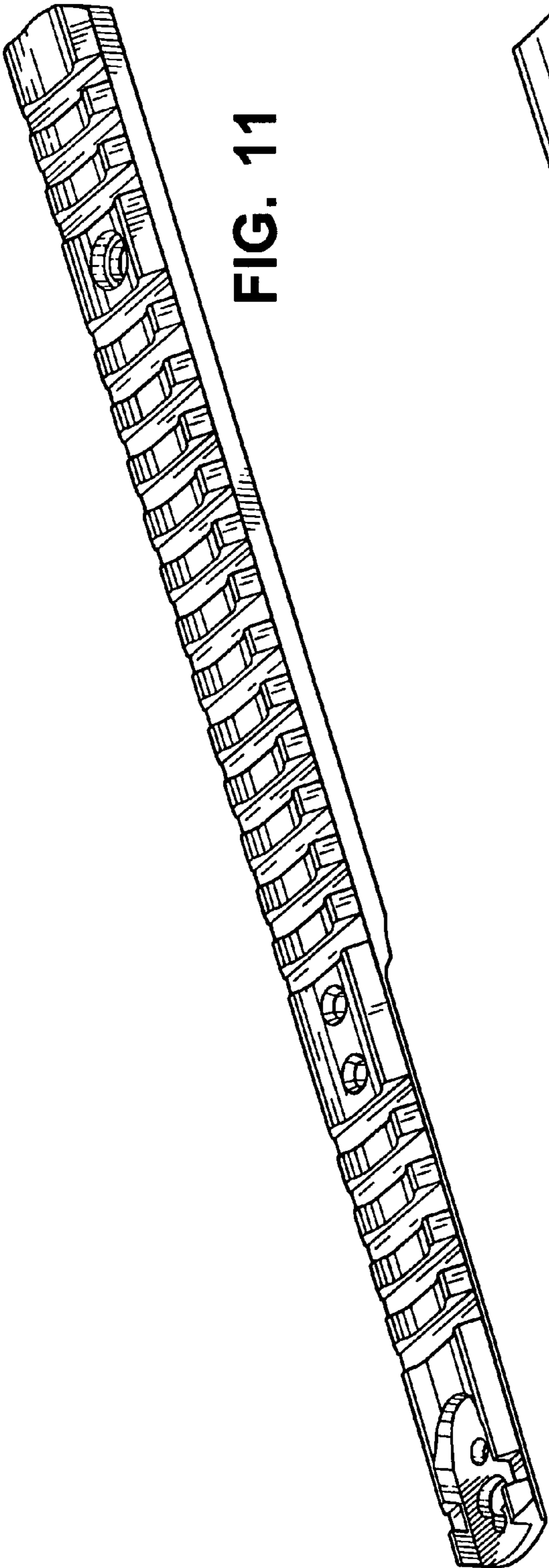


FIG. 11

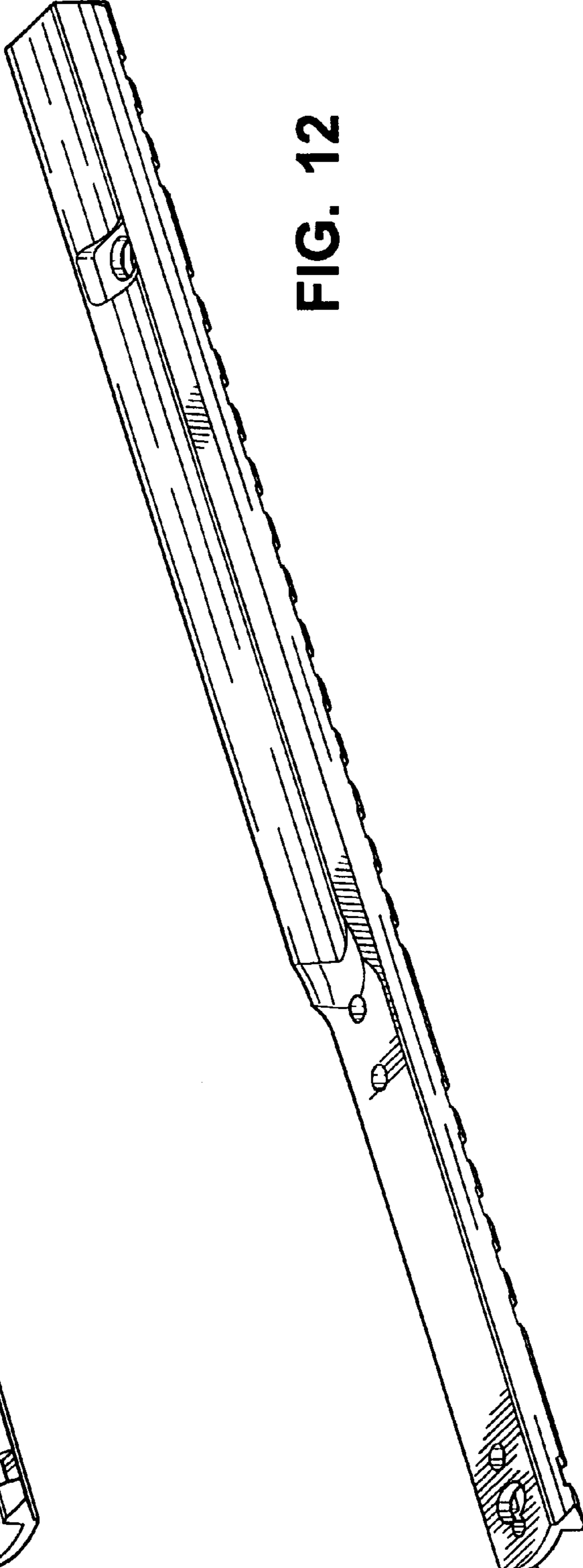


FIG. 12

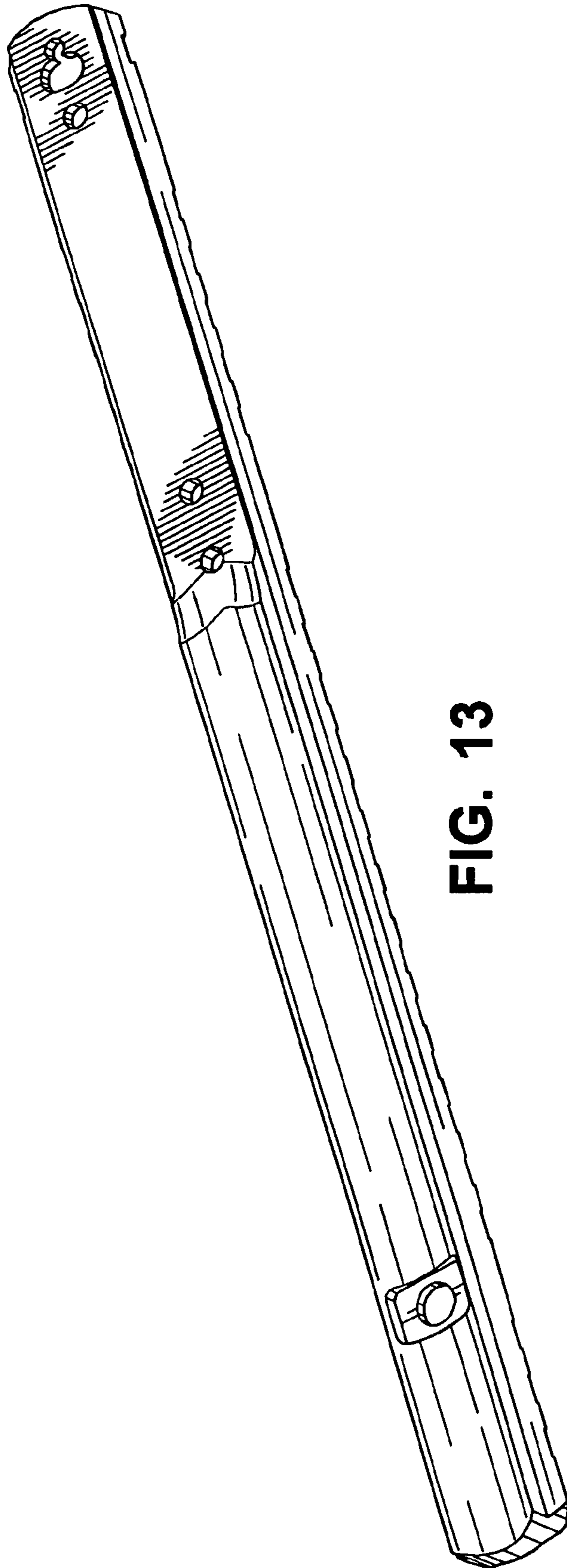


FIG. 13