



US00D577093S

(12) **United States Design Patent**
White et al.

(10) **Patent No.:** **US D577,093 S**
(45) **Date of Patent:** **** Sep. 16, 2008**

- (54) **FIREARM RETENTION DEVICE**
- (75) Inventors: **Corey White**, Webb City, MO (US); **Jeff P. Seward**, Carthage, MO (US)
- (73) Assignee: **S&W Products, LLC**, Oronogo, MO (US)
- (**) Term: **14 Years**
- (21) Appl. No.: **29/286,676**
- (22) Filed: **May 16, 2007**
- (51) **LOC (8) Cl.** **22-01**
- (52) **U.S. Cl.** **D22/108**
- (58) **Field of Classification Search** D3/221,
D3/262; 224/150, 913, 149, 257, 258, 250;
42/85, 94; D22/108, 100, 199
See application file for complete search history.

(56) **References Cited**

U.S. PATENT DOCUMENTS

612,298	A *	10/1898	Zuberbier	224/258
2,481,884	A	9/1949	Short		
3,927,808	A	12/1975	Steen	224/1
4,182,469	A *	1/1980	Bennett	224/150
4,311,263	A *	1/1982	Bianchi	224/150
4,542,840	A	9/1985	Pepper, Sr. et al.	224/150
5,165,584	A *	11/1992	Meagher et al.	224/258
5,353,538	A	10/1994	Hakedal et al.	42/85
5,433,360	A *	7/1995	Rock	224/258
D378,954	S *	4/1997	Daigle	D3/262
5,718,363	A	2/1998	Graves	224/250
6,112,448	A	9/2000	Gray et al.	42/94
D462,513	S *	9/2002	Holzhaus et al.	D3/221

6,520,390	B2 *	2/2003	Verdugo et al.	224/150
D479,554	S *	9/2003	Boron et al.	D17/20
D515,311	S *	2/2006	Esch	D3/221

* cited by examiner

Primary Examiner—Ian Simmons

Assistant Examiner—Melanie Levy

(74) *Attorney, Agent, or Firm*—Keisling Pieper & Scott PLC;
Stephen D. Scheantz; Trent C. Keisling

(57) **CLAIM**

The ornamental design for a firearm retention device, as shown and described.

DESCRIPTION

FIG. 1 is an environmental view of a firearm retention device showing my new design;

FIG. 2 is a front elevational view of the design of FIG. 1;

FIG. 3 is a front elevational view of the design of FIG. 1;

FIG. 4 is a back elevational view of the design of FIG. 1;

FIG. 5 is a top elevational view of the design of FIG. 1;

FIG. 6 is a bottom elevational view of the design of FIG. 1;

FIG. 7 is a left side elevational view of the design of FIG. 1;

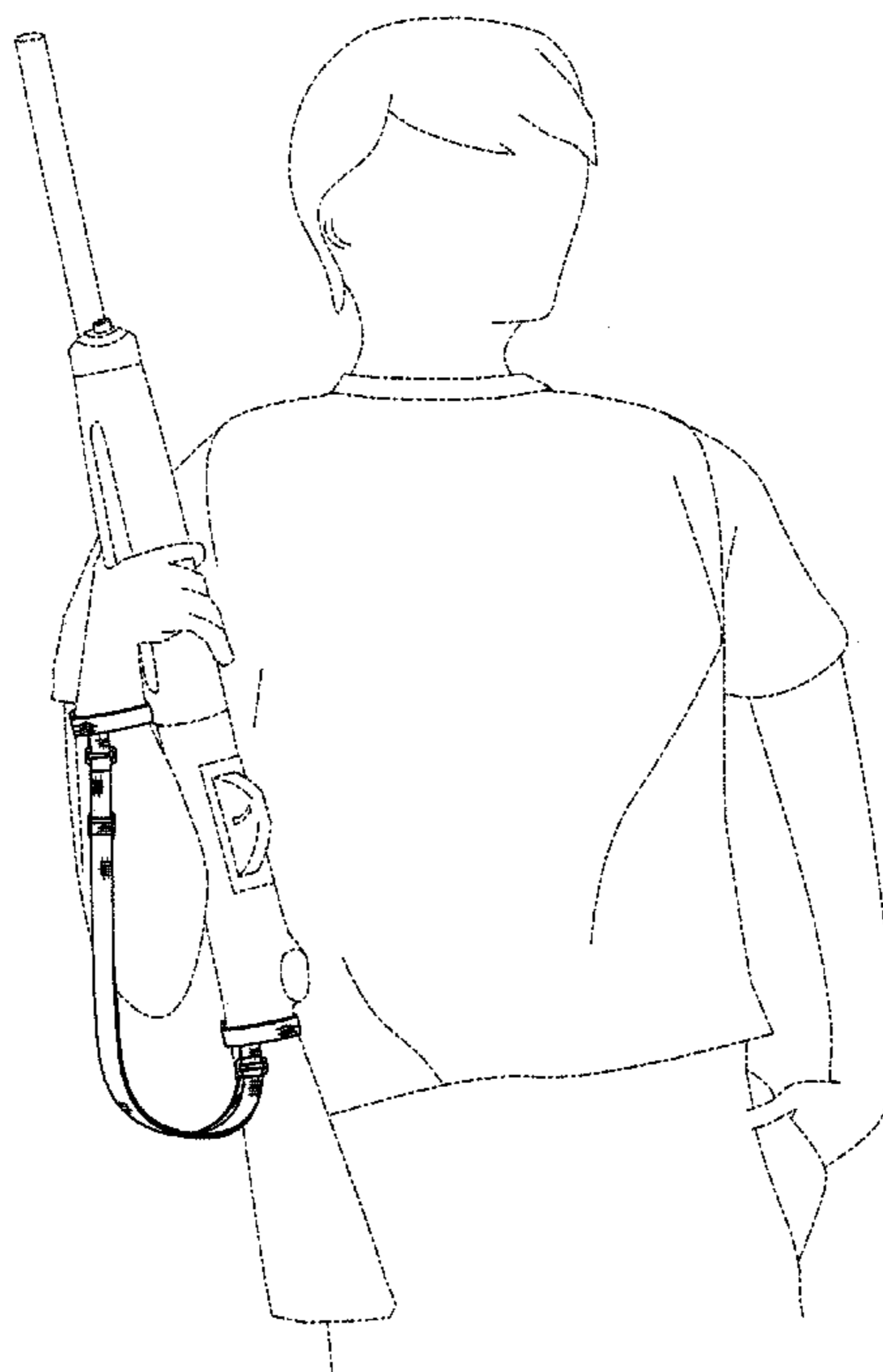
and,

FIG. 8 is a right side elevational view of the design of FIG. 1.

Portions shown in broken line are for illustrative purposes only and form no part of the claimed design.

FIGS. 3–6 show the article broken away for ease of illustration.

1 Claim, 6 Drawing Sheets



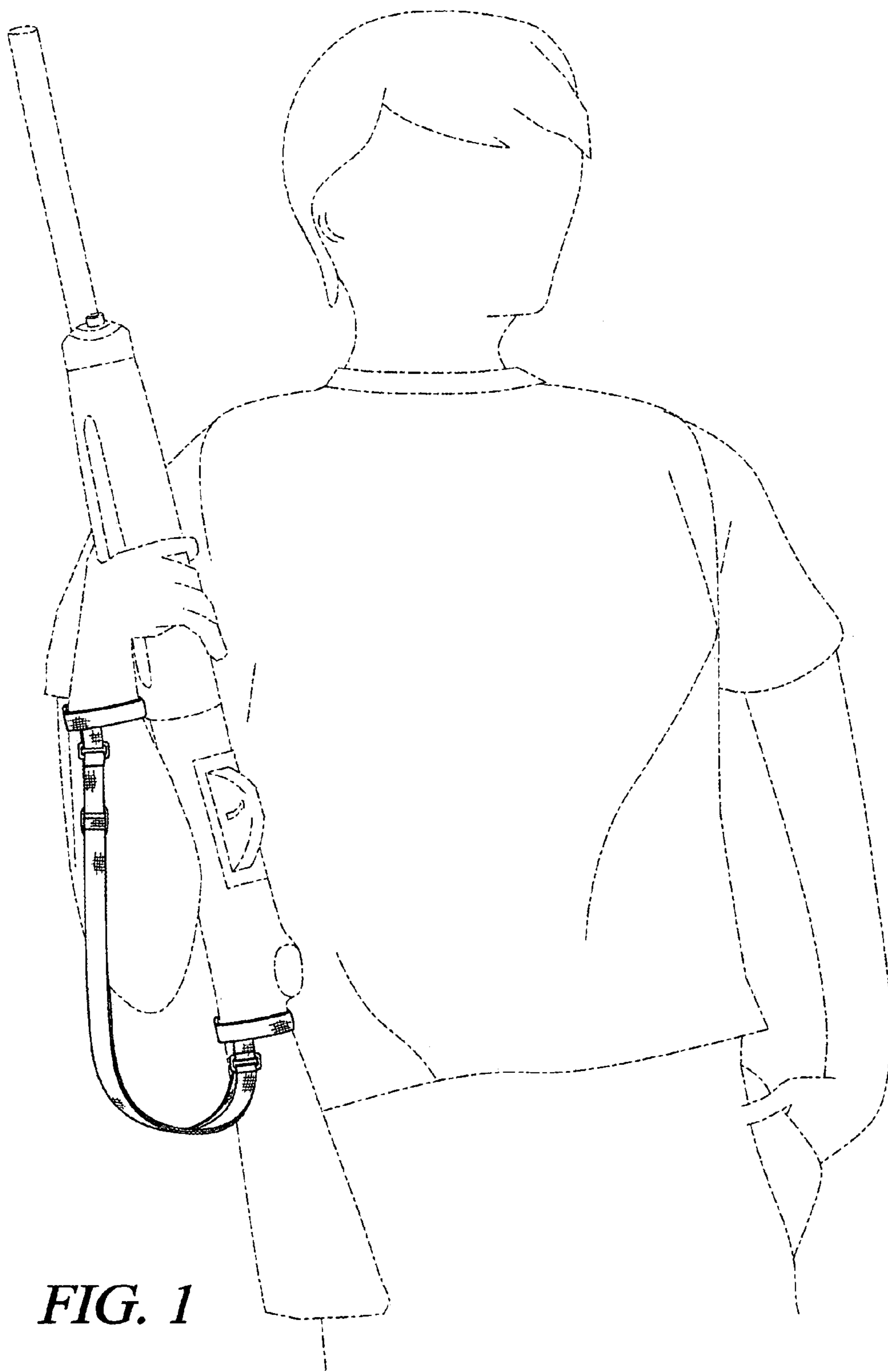


FIG. 1

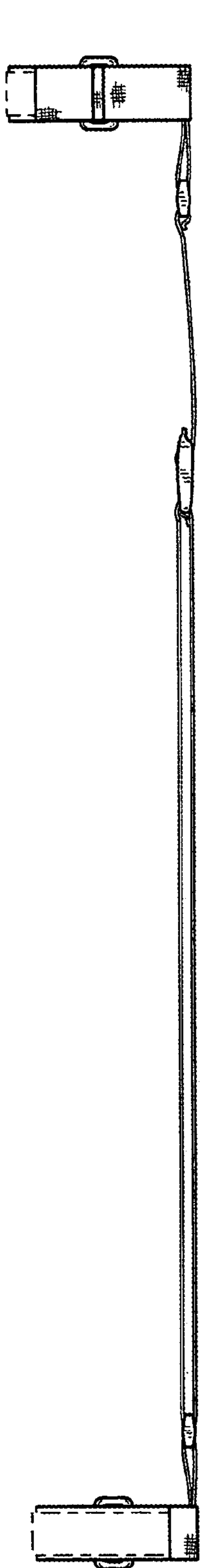


FIG. 2

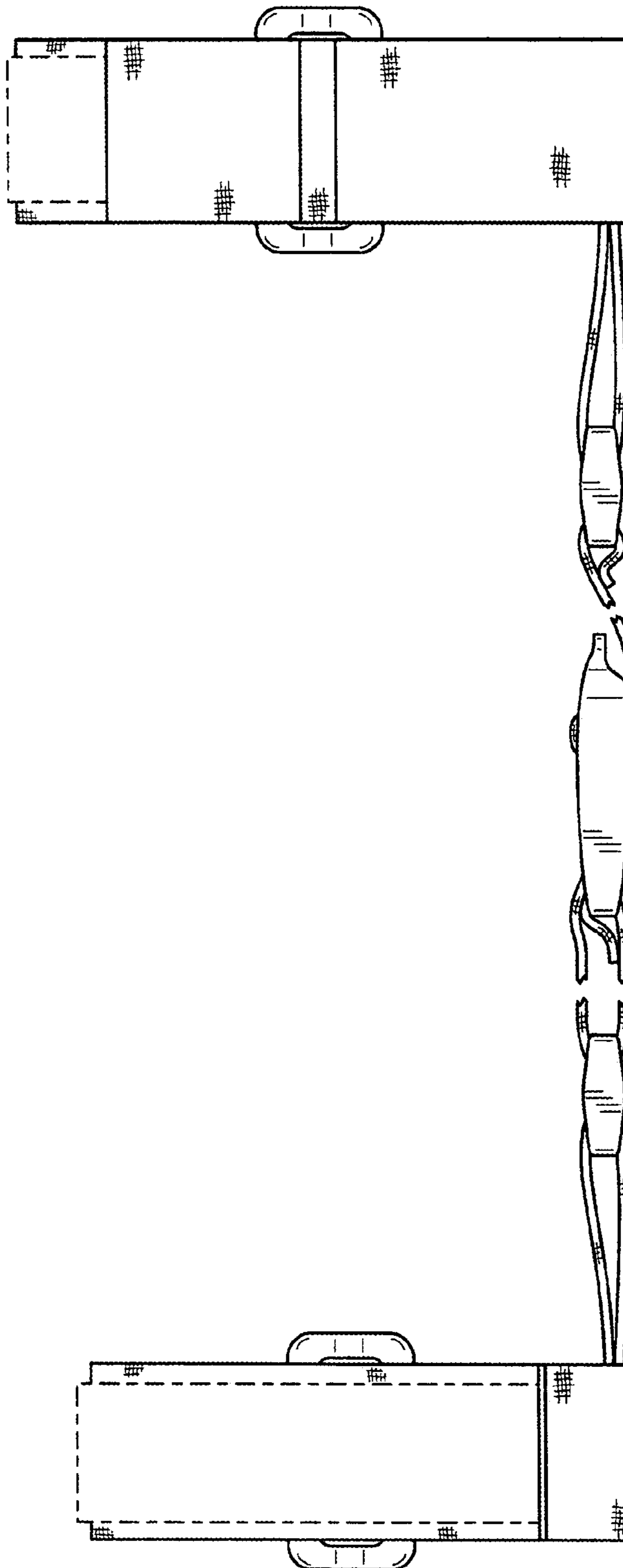


FIG. 3

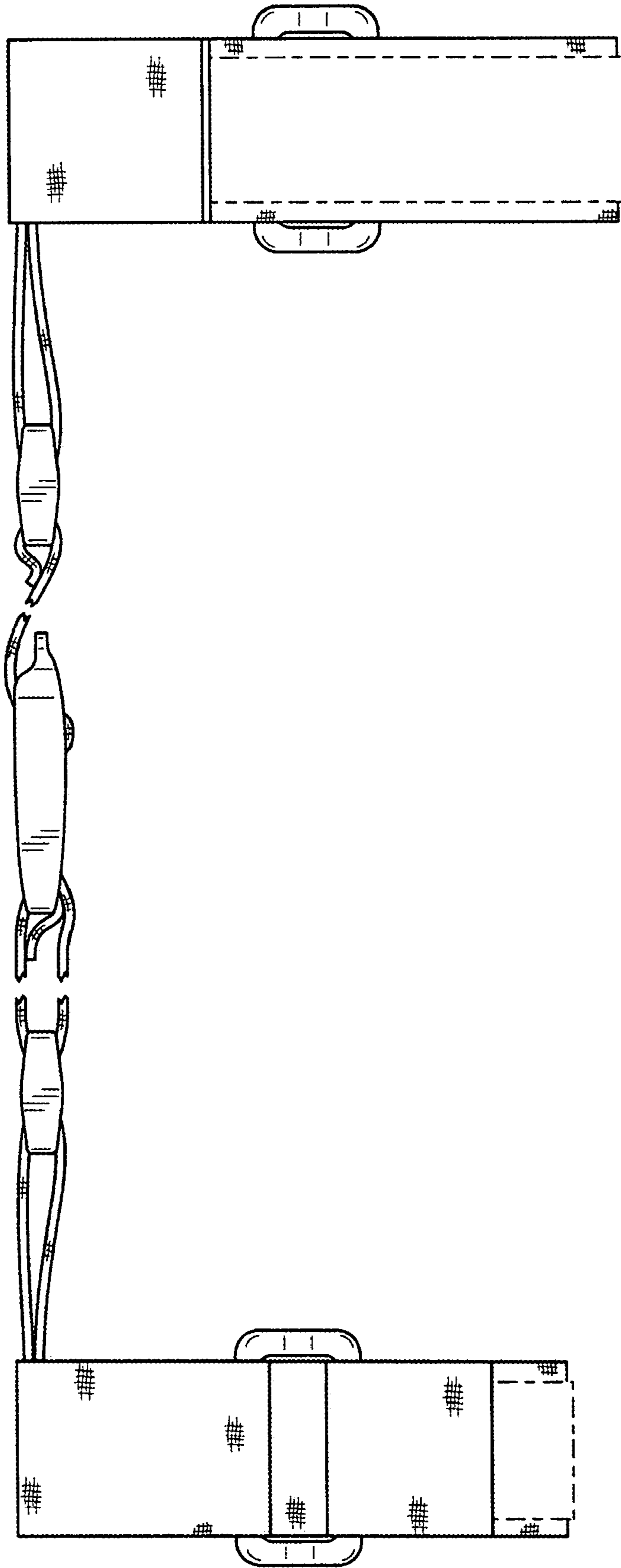


FIG. 4

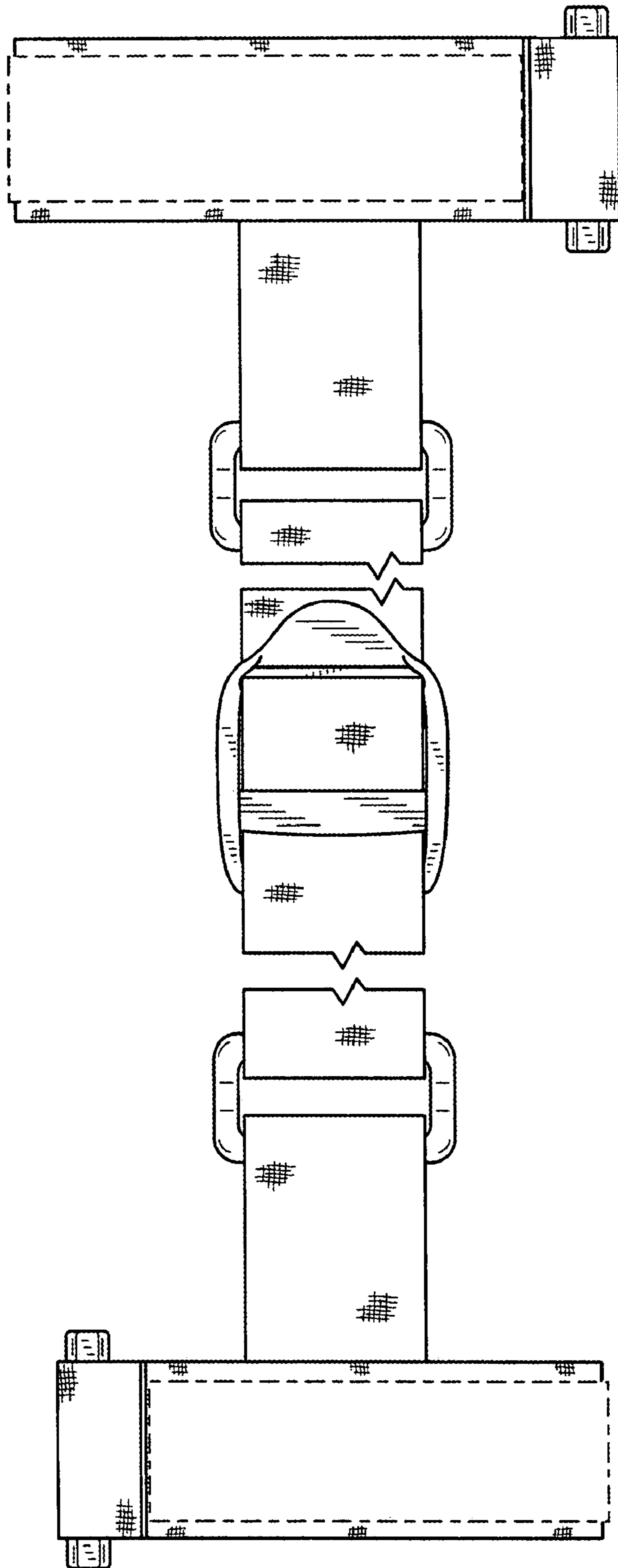


FIG. 5

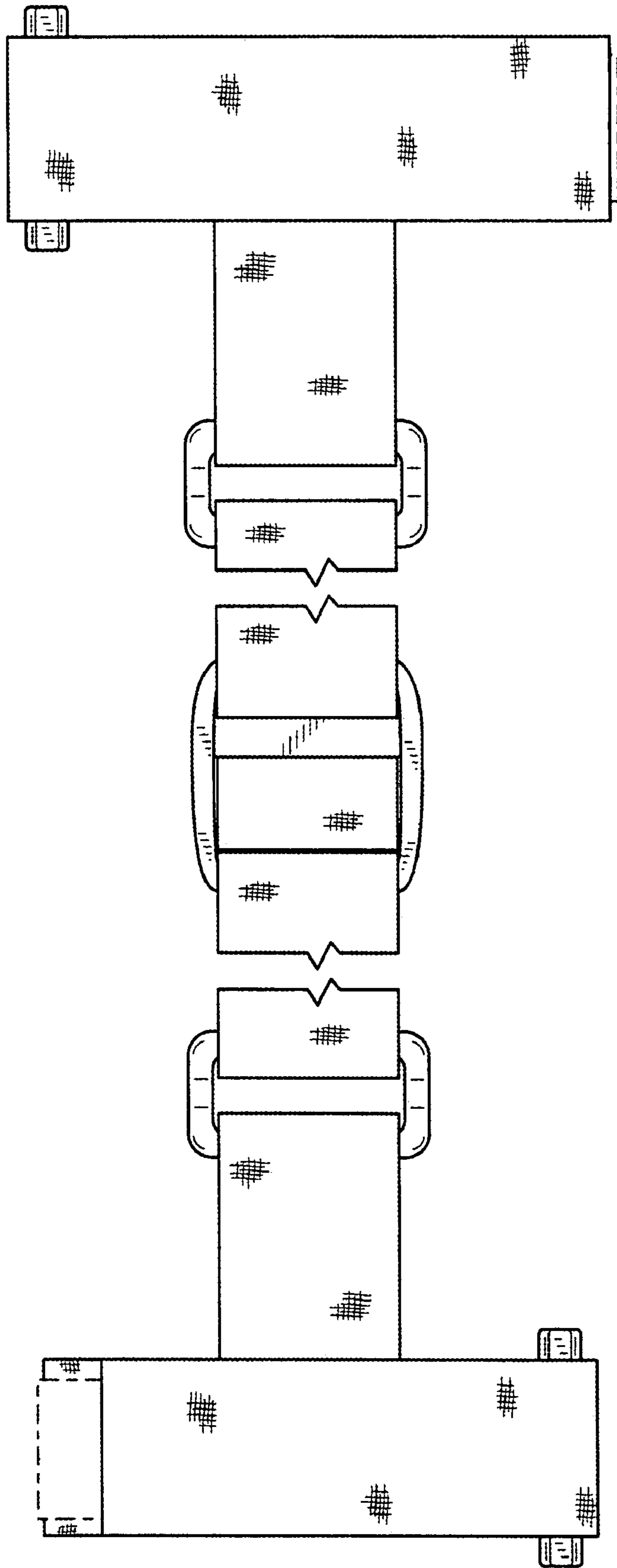


FIG. 6

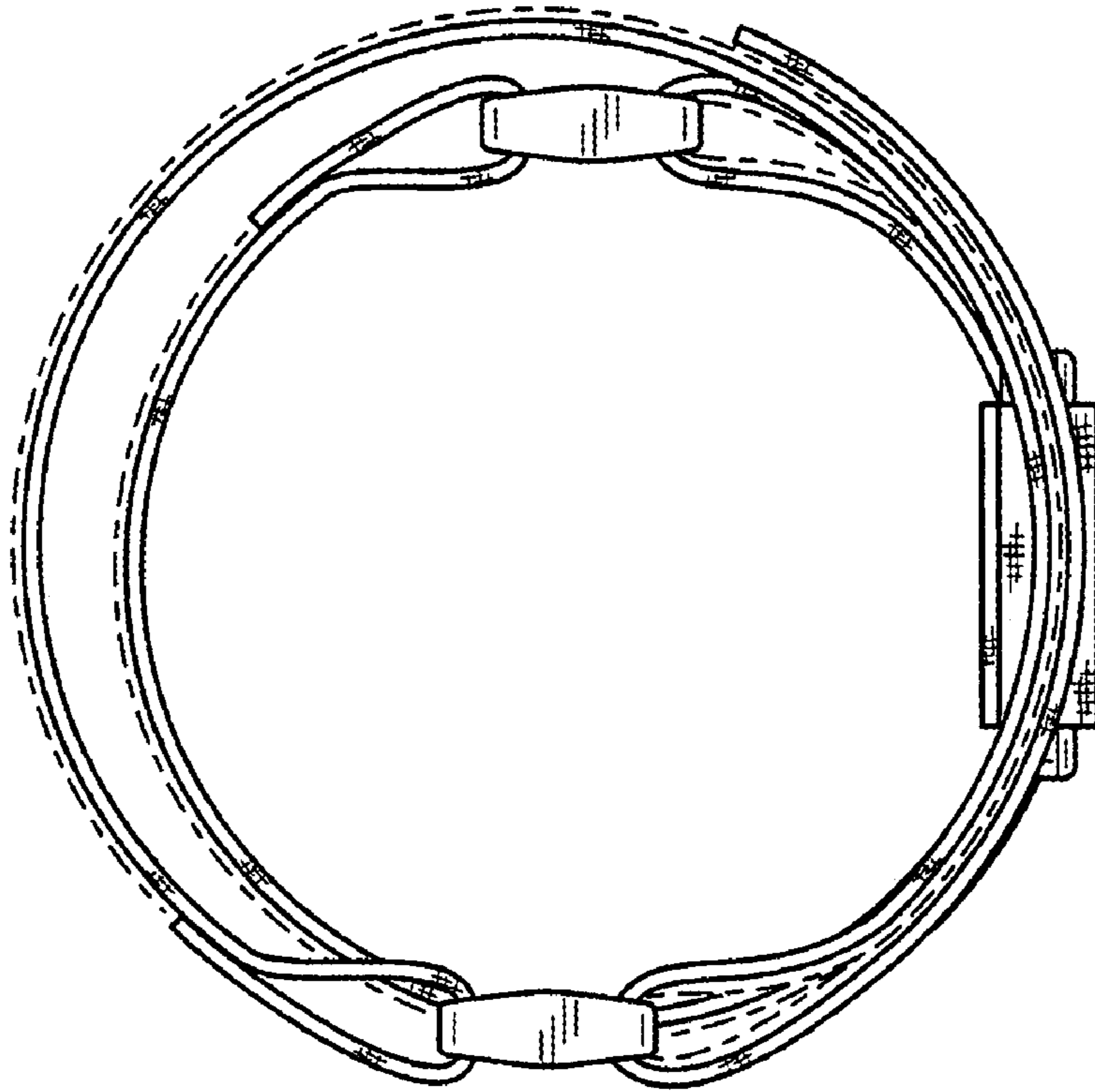


FIG. 8

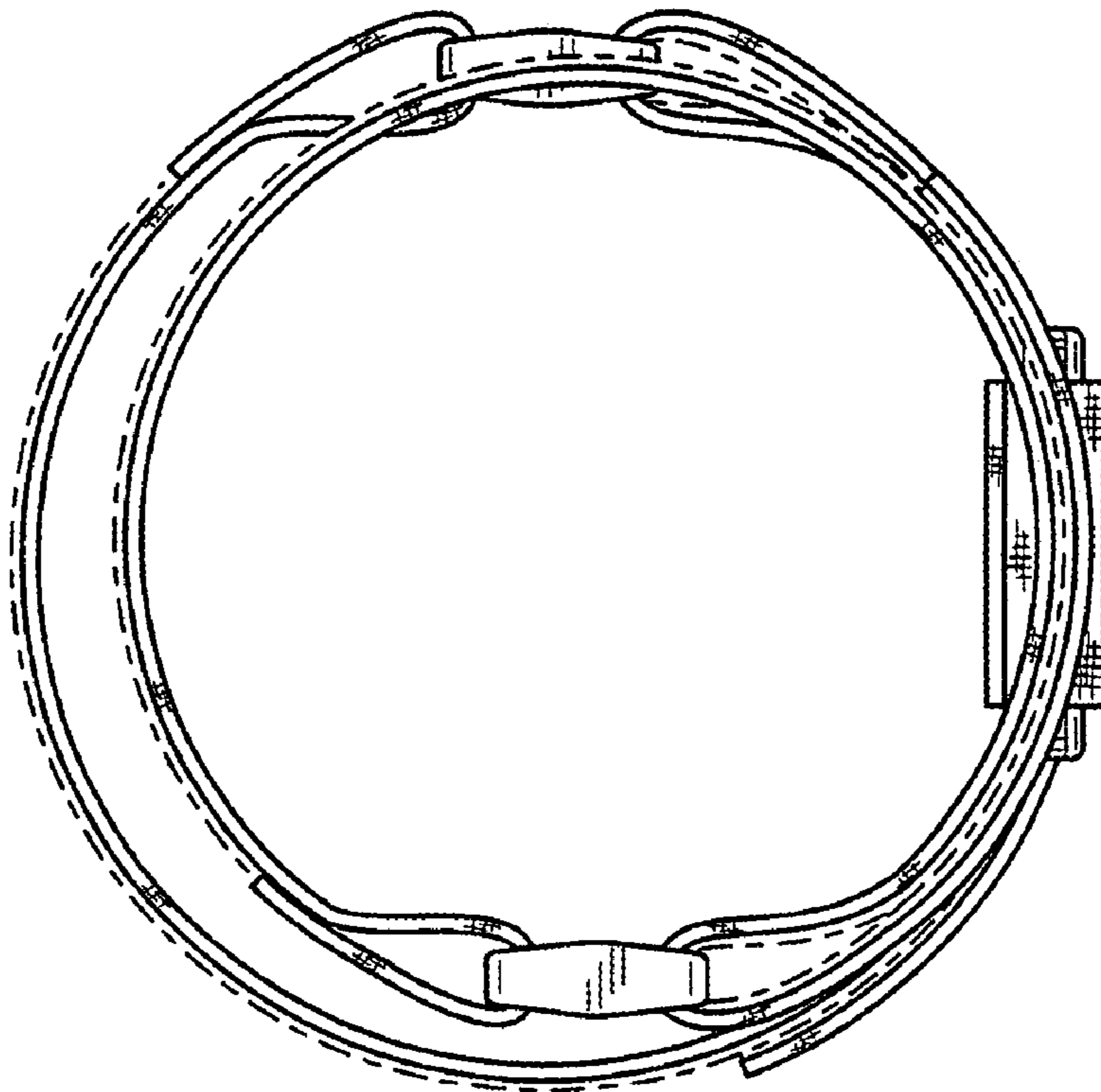


FIG. 7