



US00D577090S

(12) **United States Design Patent**
Pergande et al.

(10) **Patent No.:** **US D577,090 S**

(45) **Date of Patent:** **** Sep. 16, 2008**

(54) **CROWN OF A GOLF CLUB HEAD**

D549,293 S * 8/2007 Rice et al. D21/752
D561,853 S * 2/2008 Haralson et al. D21/733

(75) Inventors: **Jon C. Pergande**, Arlington Heights, IL
(US); **Robert T. Thurman**, Plainfield, IL
(US)

* cited by examiner

Primary Examiner—Mitchell I Siegel

(74) *Attorney, Agent, or Firm*—Terrance P. O'Brien

(73) Assignee: **Wilson Sporting Goods Co.**, Chicago,
IL (US)

(57) **CLAIM**

(**) Term: **14 Years**

I claim the ornamental design for a crown of a golf club head,
as shown and described.

(21) Appl. No.: **29/289,734**

(22) Filed: **Jul. 30, 2007**

DESCRIPTION

(51) **LOC (8) Cl.** **21-02**

FIG. 1 is a rear, top perspective view of a crown of a golf club
head of the present design;

(52) **U.S. Cl.** **D21/759**

FIG. 2 is a top view of the golf club head of FIG. 1;

(58) **Field of Classification Search** D21/733,
D21/752, 759; 473/324–331, 343–346
See application file for complete search history.

FIG. 3 is a rear view of the golf club head of FIG. 1;

FIG. 4 is a heel-end side view of the golf club head of FIG. 1;
and,

(56) **References Cited**

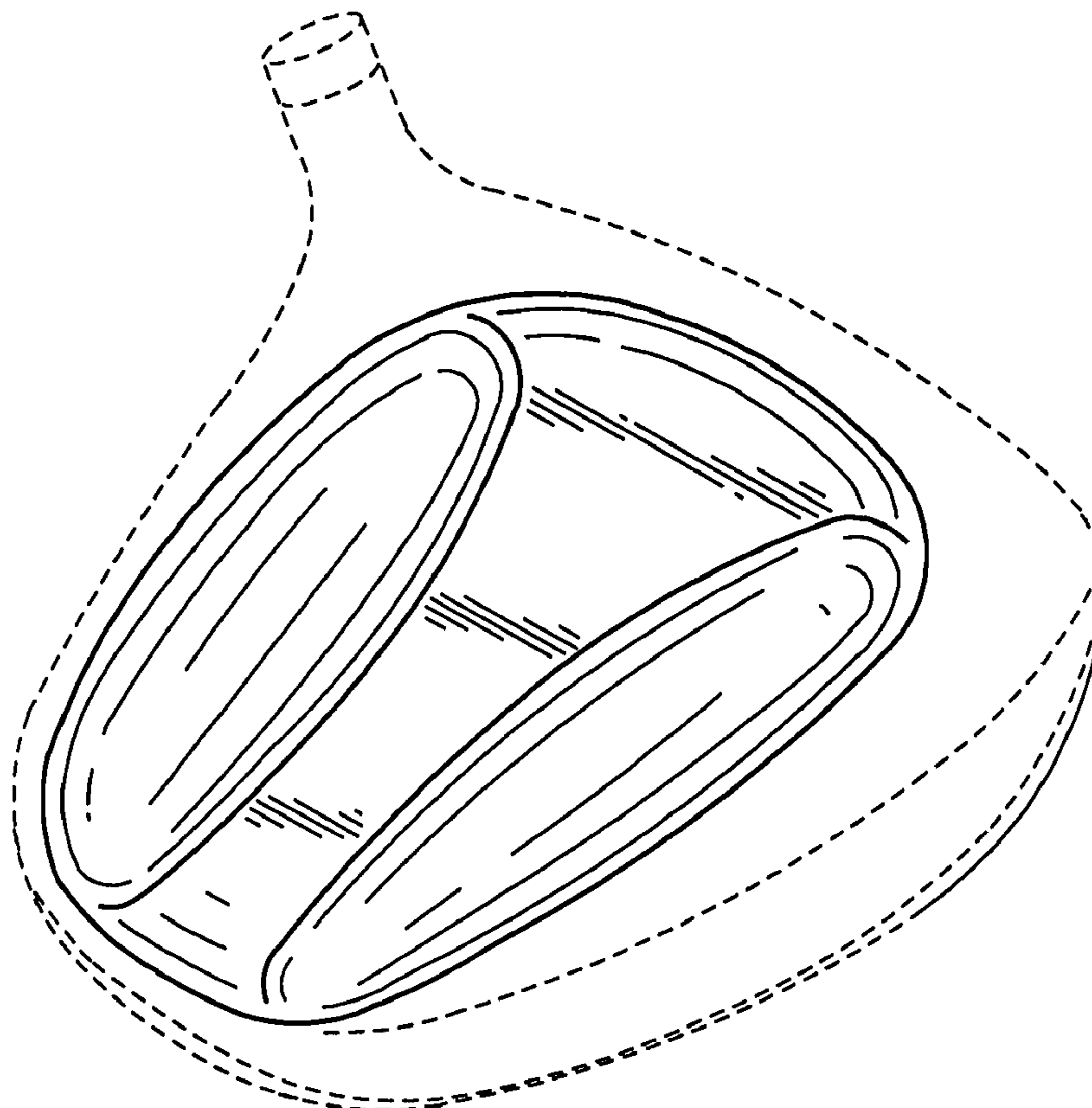
FIG. 5 is a toe-end side view of the golf club head of FIG. 1.

U.S. PATENT DOCUMENTS

The ornamental design that is claimed is shown in solid lines
in the drawings. The broken (dashed) lines shown in FIGS. 1
through 5 are included only for the purpose of illustrating
environmental elements, and form no part of the claimed
design.

D389,886 S *	1/1998	Kulchar et al.	D21/752
D425,158 S *	5/2000	Long et al.	D21/752
D469,489 S *	1/2003	Rice et al.	D21/733
D527,064 S *	8/2006	Breier et al.	D21/752
D532,858 S *	11/2006	Rice	D21/759
D537,895 S *	3/2007	Breier et al.	D21/752

1 Claim, 3 Drawing Sheets



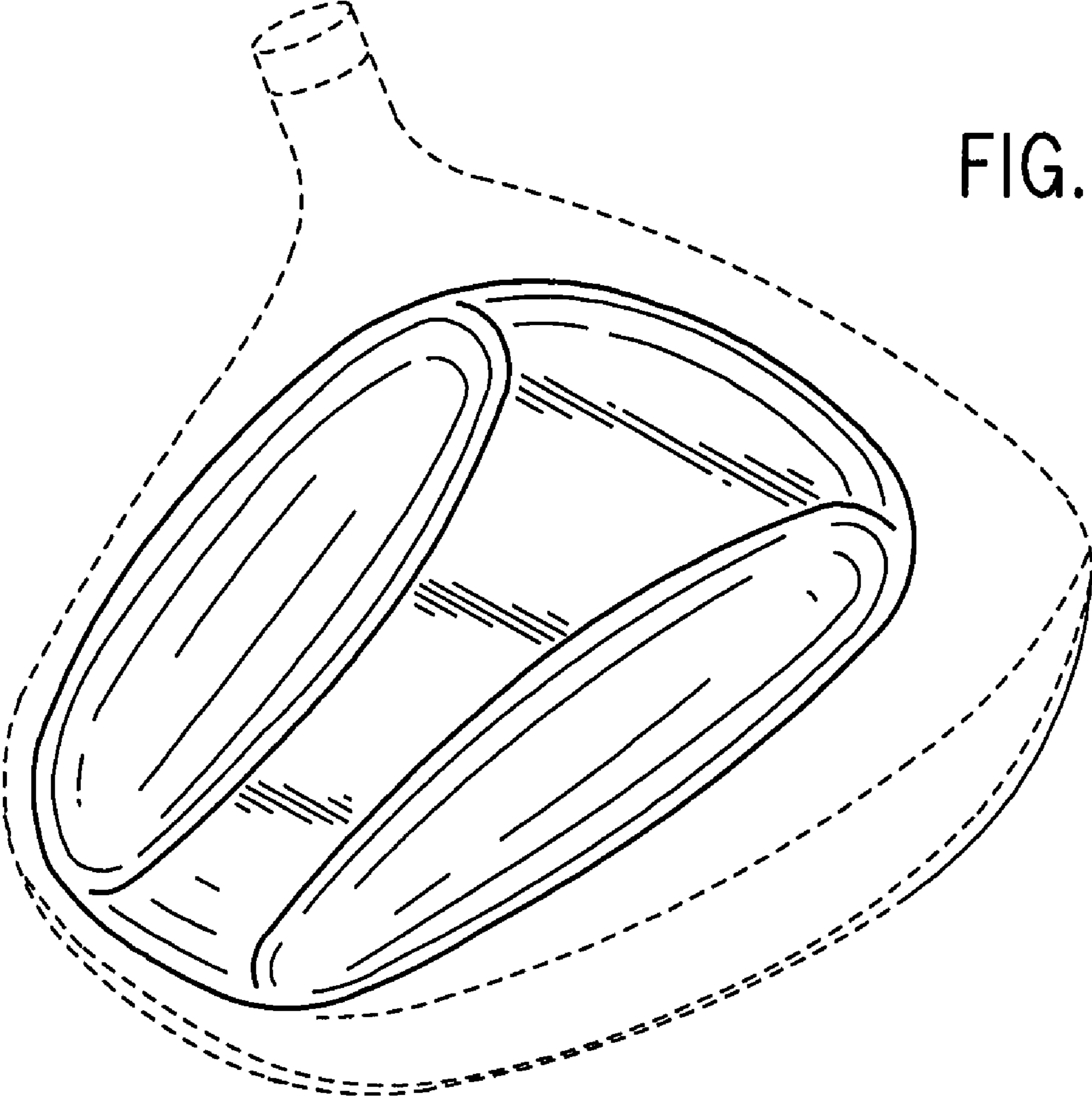


FIG. 1

FIG. 2

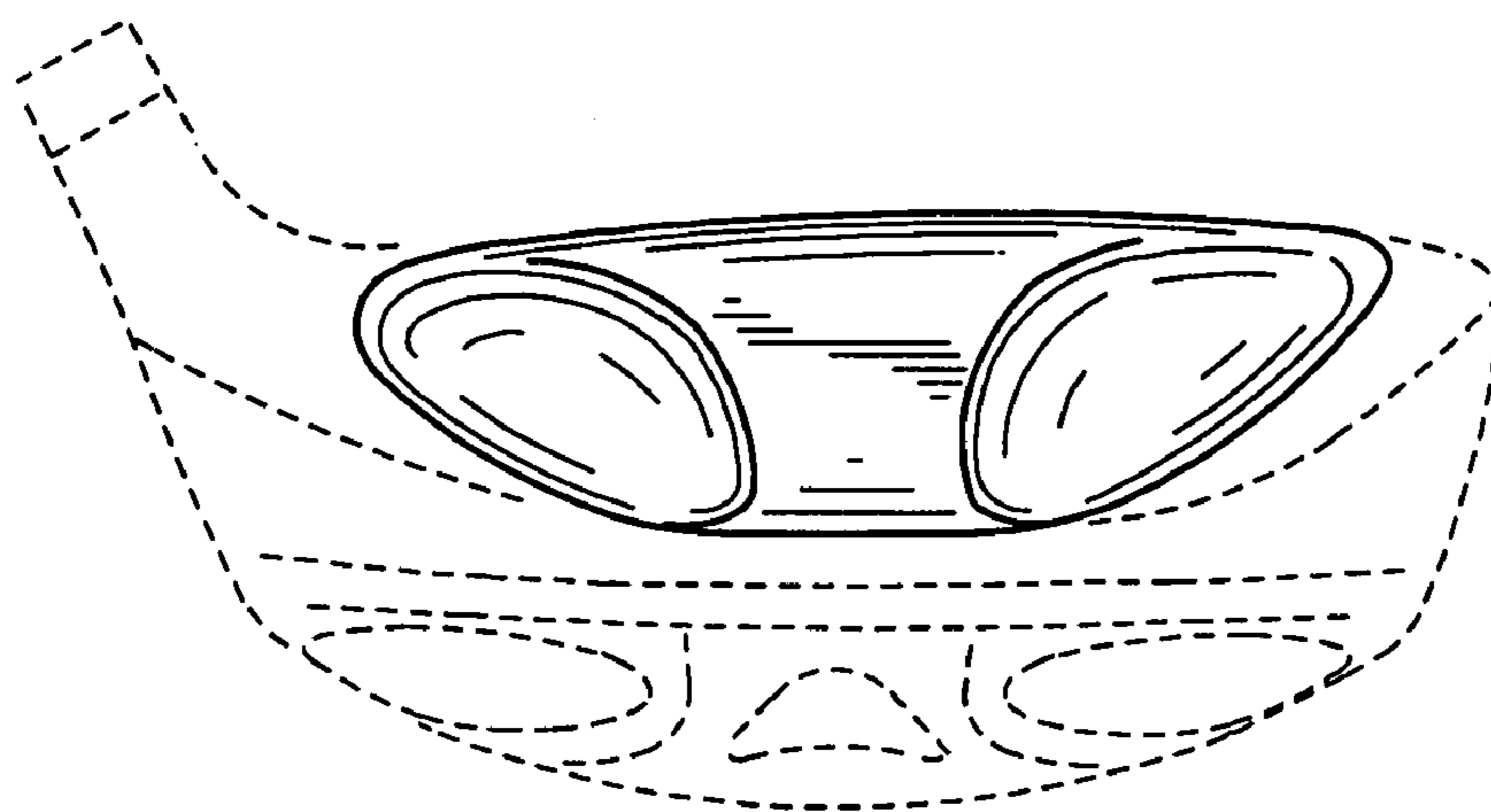
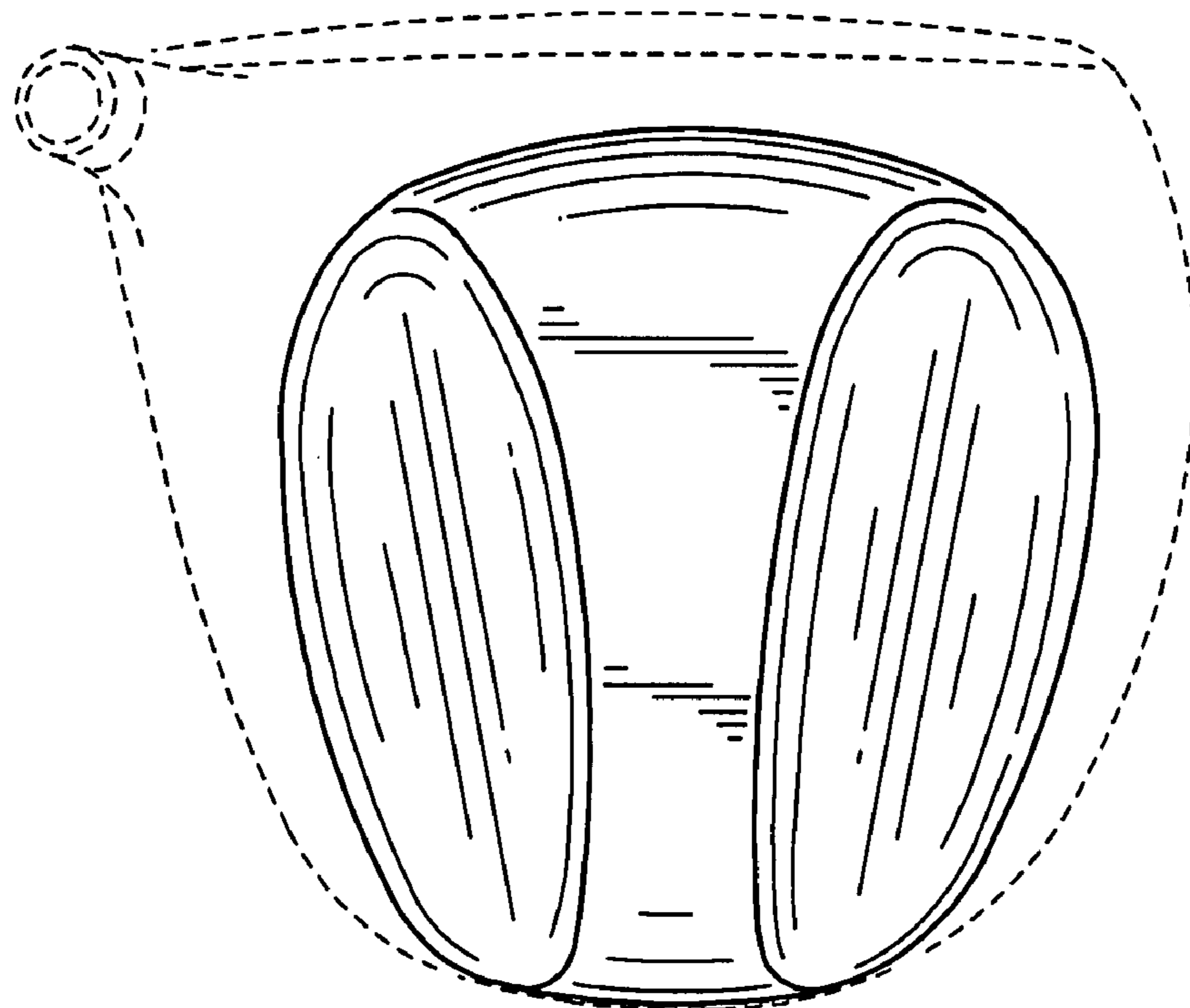


FIG. 3

FIG. 4

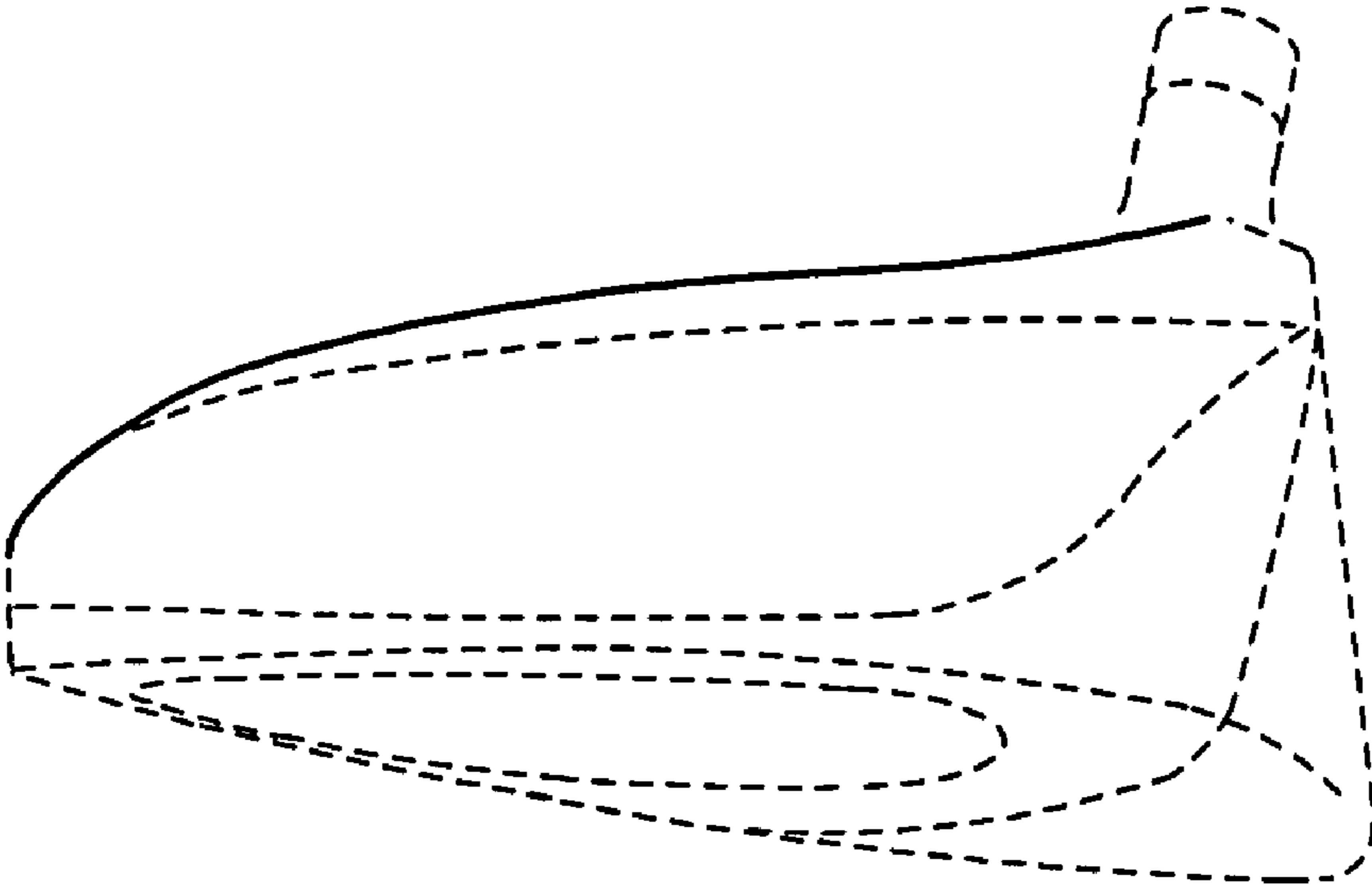
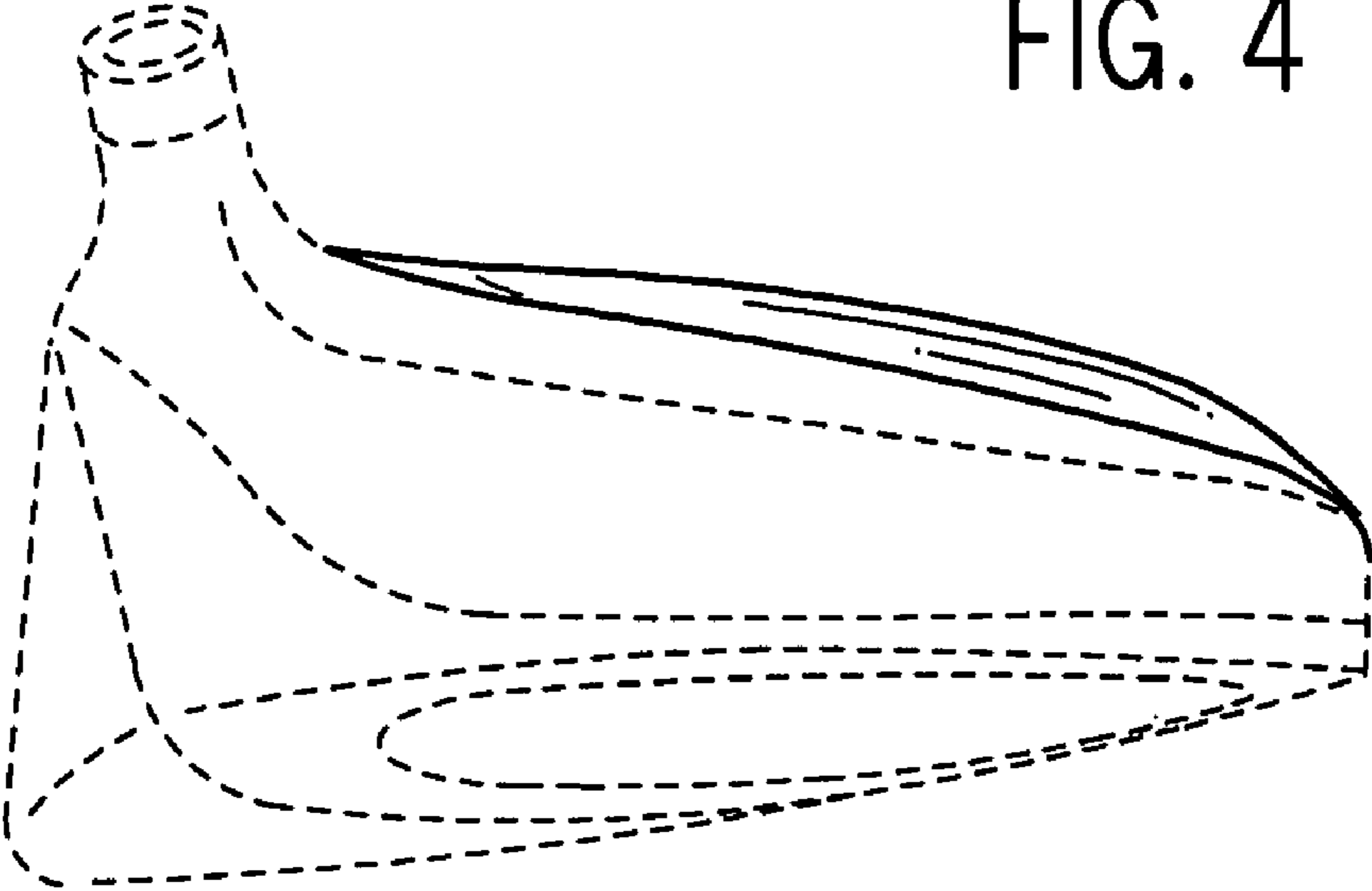


FIG. 5