



US00D577087S

(12) **United States Design Patent**
Roach et al.

(10) **Patent No.:** **US D577,087 S**
(45) **Date of Patent:** **** Sep. 16, 2008**

(54) **GOLF CLUB HEAD**

(75) Inventors: **Ryan L. Roach**, Carlsbad, CA (US);
Thomas C. Morris, Carlsbad, CA (US)

(73) Assignee: **Acushnet Company**, Fairhaven, MA
(US)

(**) Term: **14 Years**

(21) Appl. No.: **29/282,995**

(22) Filed: **Aug. 3, 2007**

(51) **LOC (8) Cl.** **21-02**

(52) **U.S. Cl.** **D21/749**

(58) **Field of Classification Search** D21/747-751;
473/324-331, 350

See application file for complete search history.

(56) **References Cited**

U.S. PATENT DOCUMENTS

D300,547 S *	4/1989	Kobayashi	D21/748
D397,180 S *	8/1998	Takahashi et al.	D21/747
D435,278 S *	12/2000	Reed et al.	D21/747
D444,195 S *	6/2001	Wahl et al.	D21/748
D547,407 S *	7/2007	Morris et al.	D21/759

D549,791 S *	8/2007	Morris et al.	D21/748
D556,848 S *	12/2007	Ruggiero et al.	D21/759
D559,931 S *	1/2008	Roach et al.	D21/747

* cited by examiner

Primary Examiner—Mitchell I Siegel

(74) *Attorney, Agent, or Firm*—Kristin D. Wheeler

(57) **CLAIM**

The ornamental design for a golf club head, as shown and described.

DESCRIPTION

FIG. 1 is a bottom back perspective view of our new golf club head;

FIG. 2 is a heel side view thereof;

FIG. 3 is a toe side view thereof;

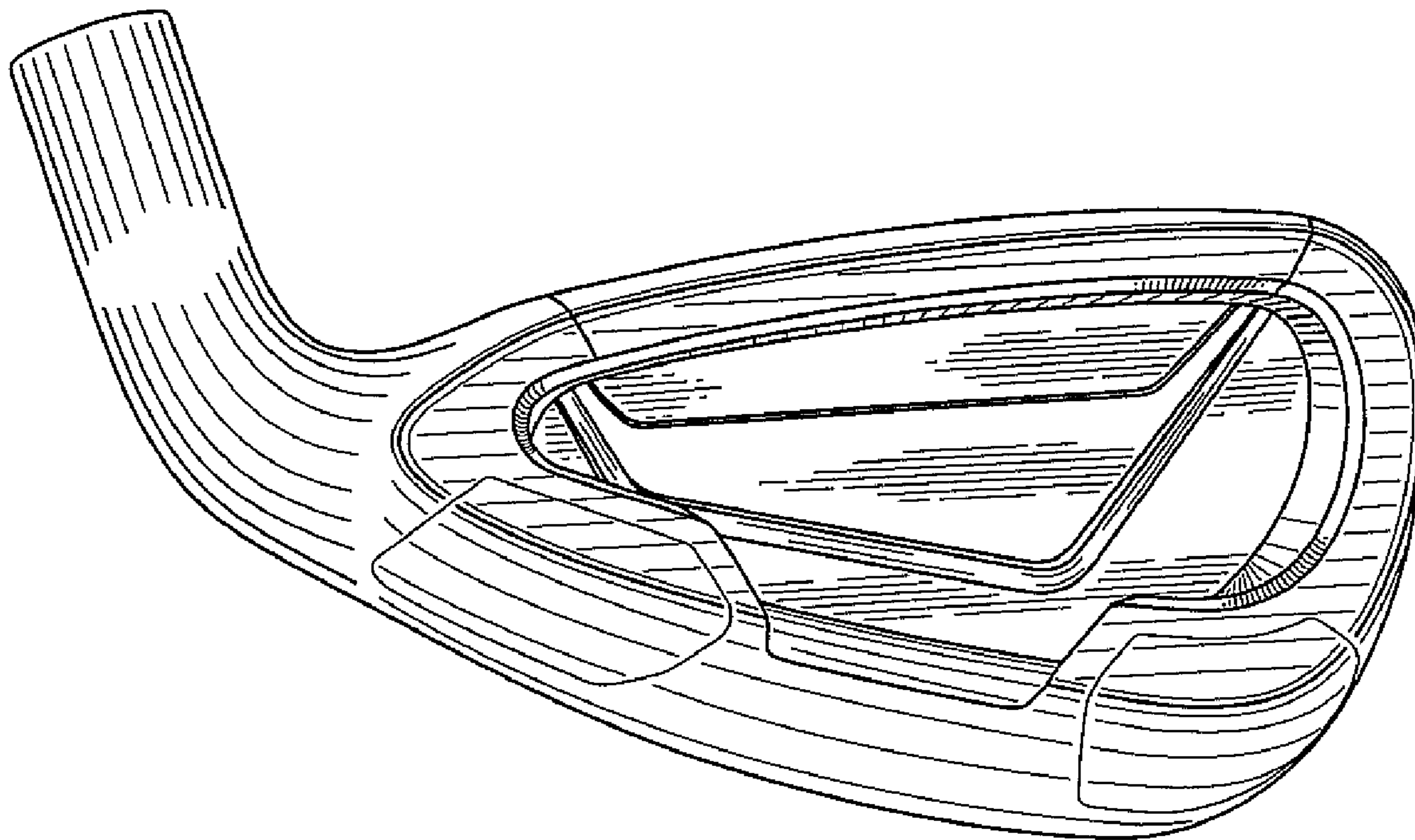
FIG. 4 is a bottom view thereof;

FIG. 5 is a back view thereof;

FIG. 6 is a front view thereof; and,

FIG. 7 is a top view thereof.

1 Claim, 2 Drawing Sheets



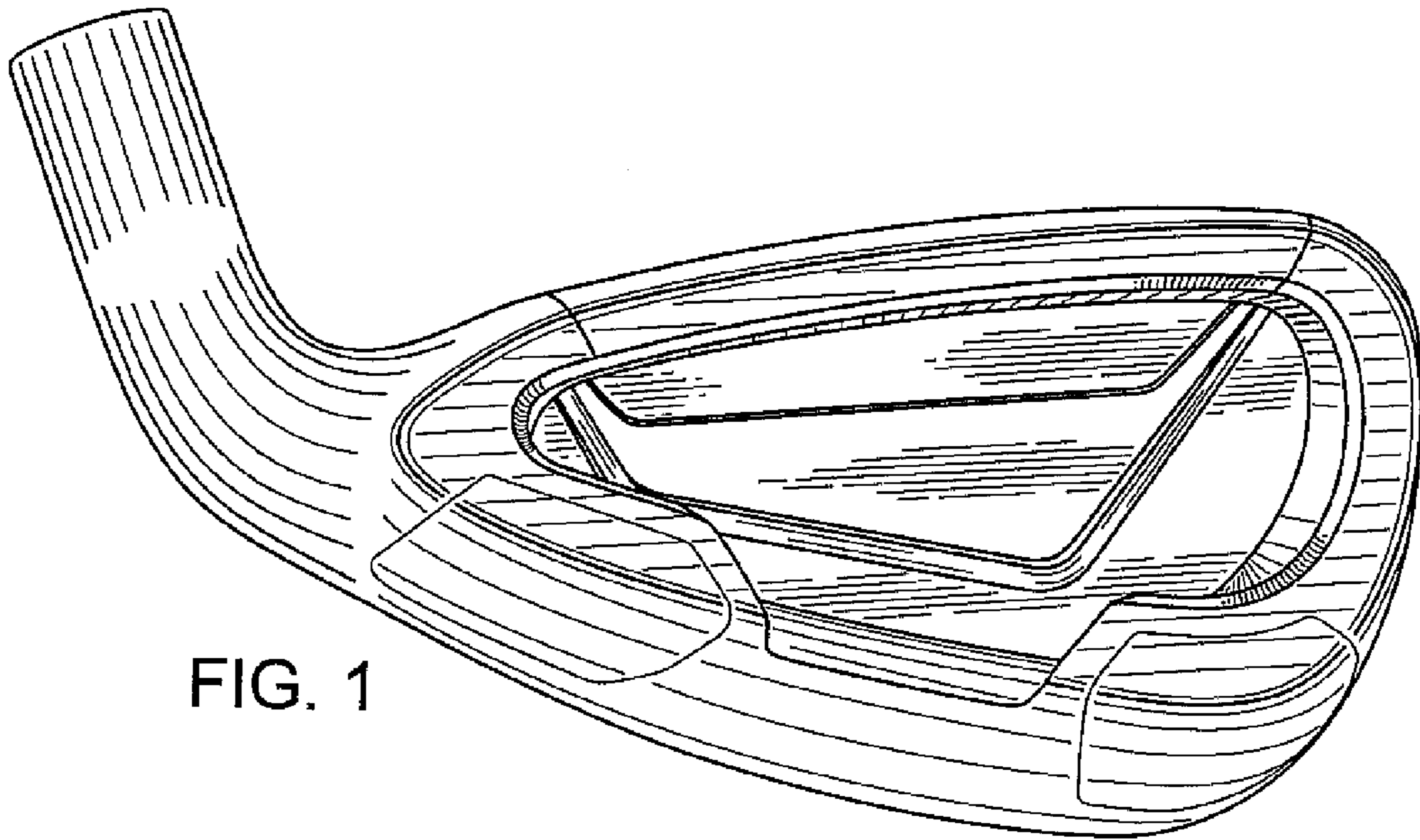


FIG. 1

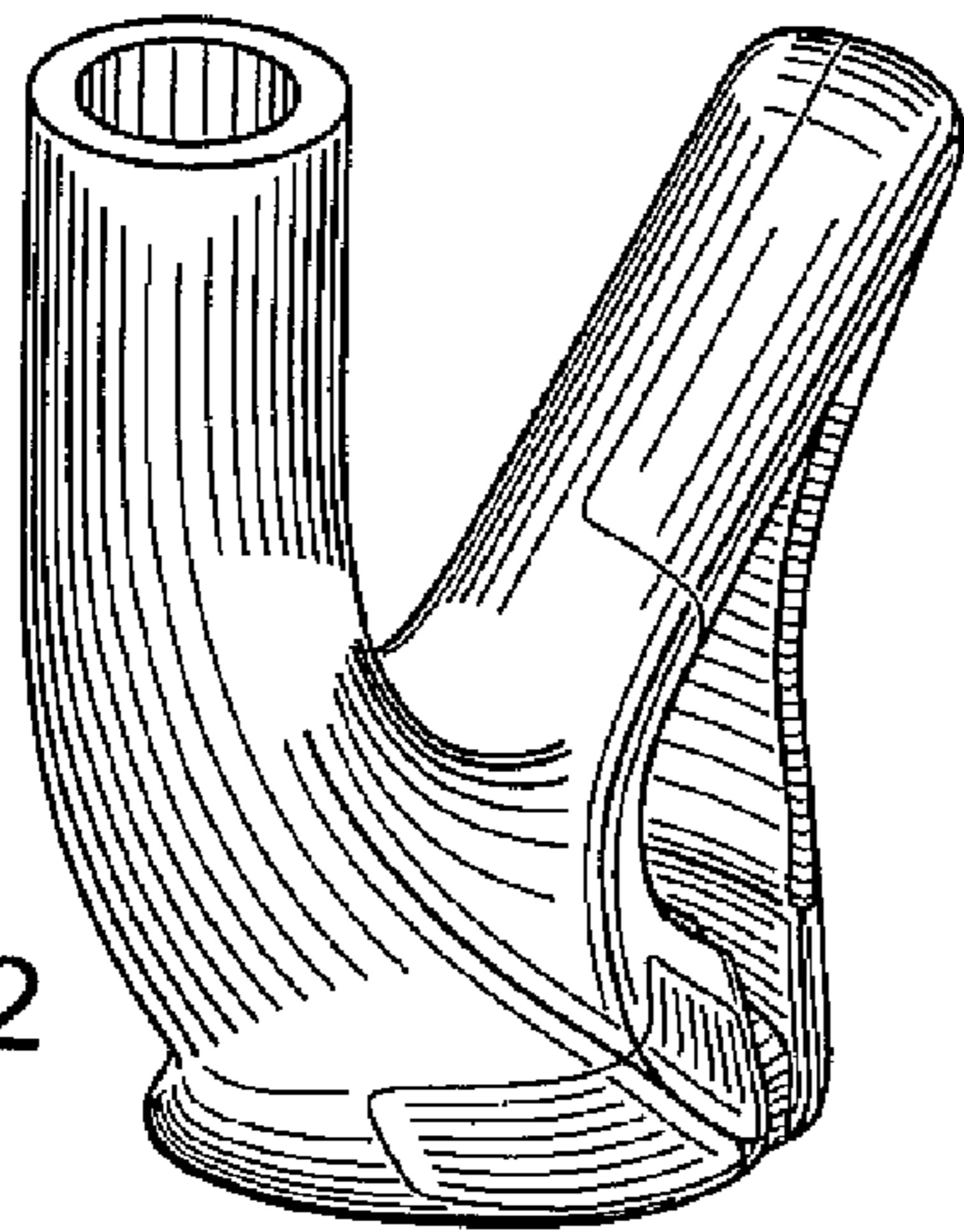


FIG. 2

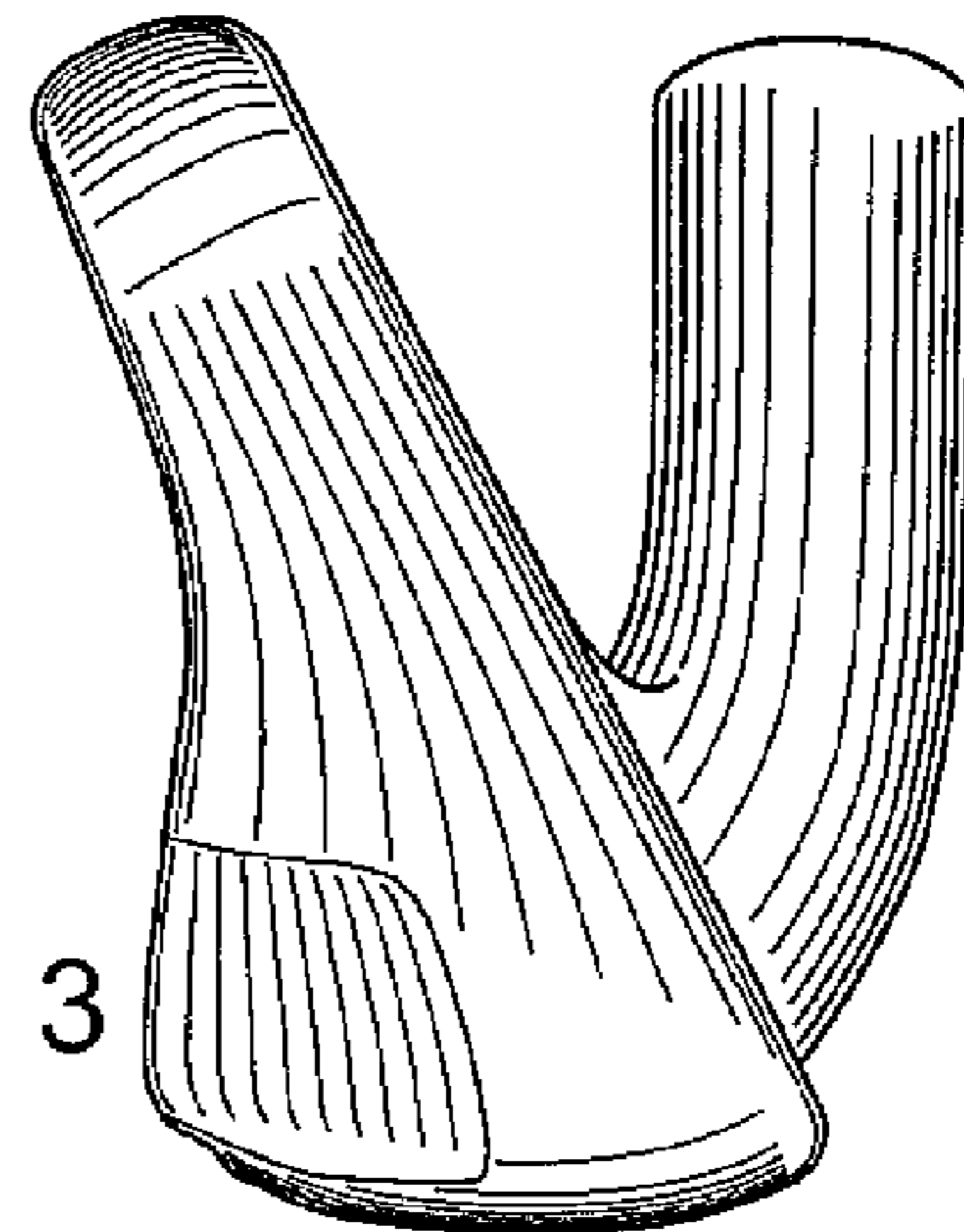


FIG. 3

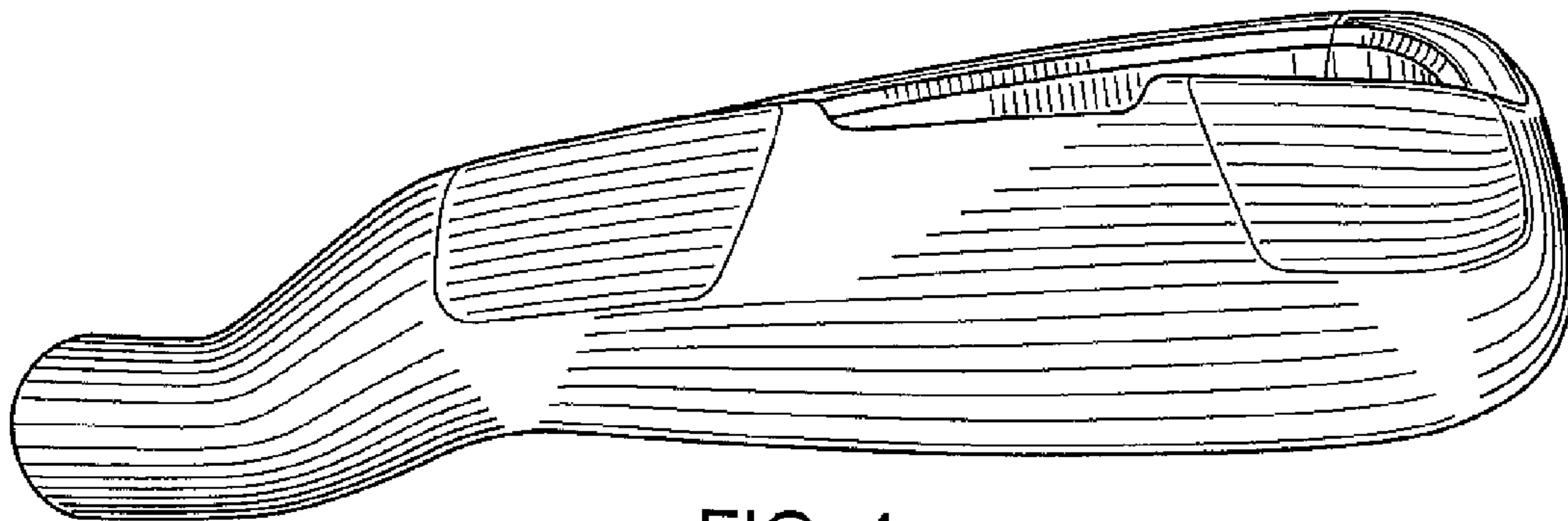


FIG. 4

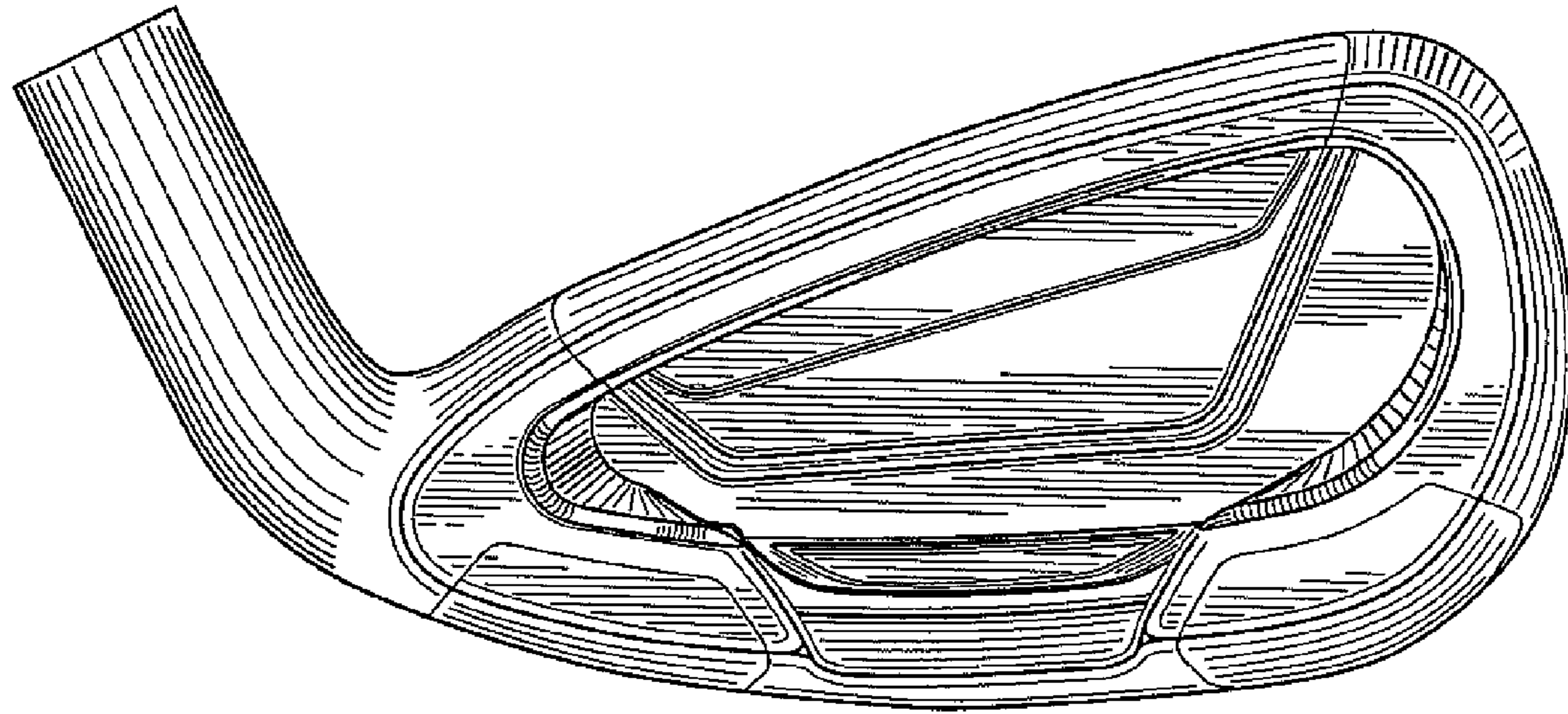


FIG. 5

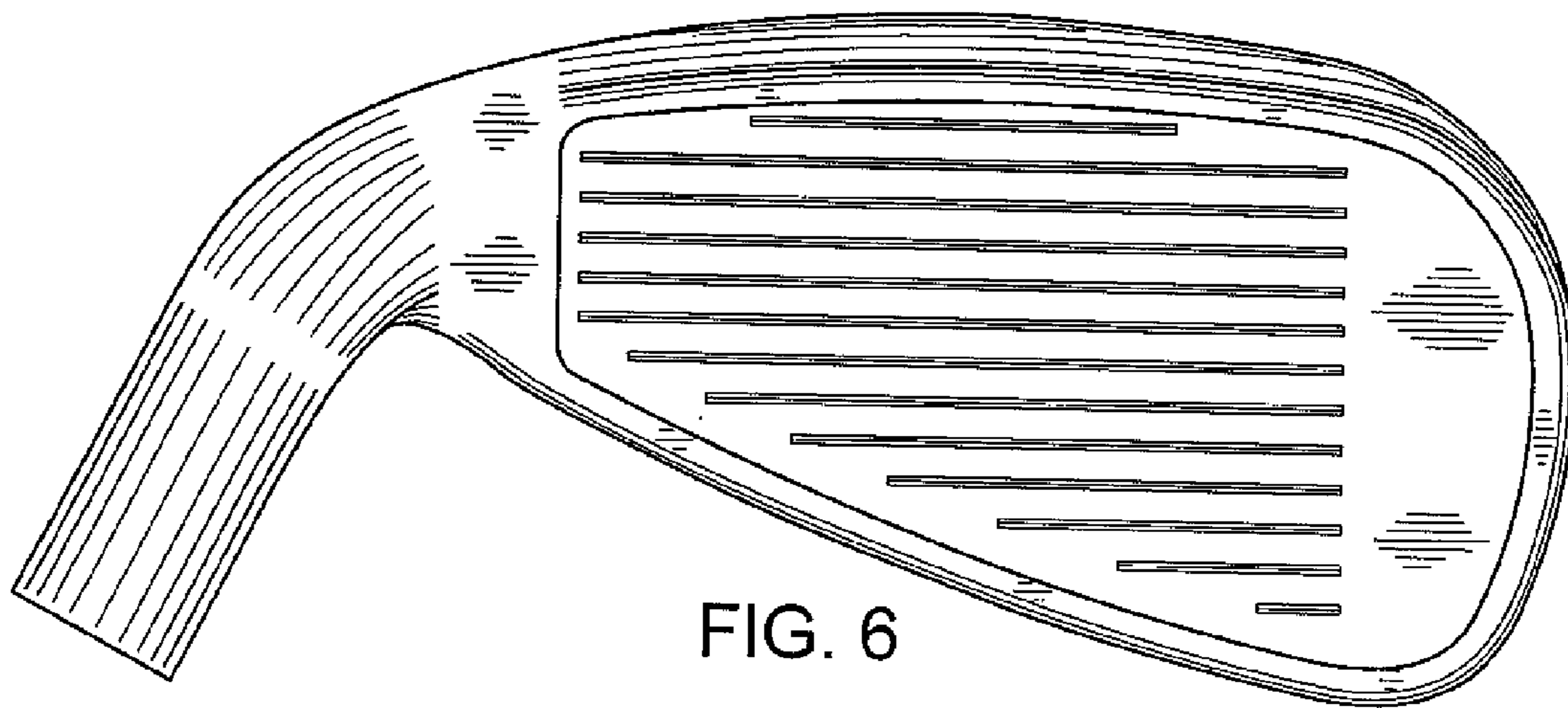


FIG. 6

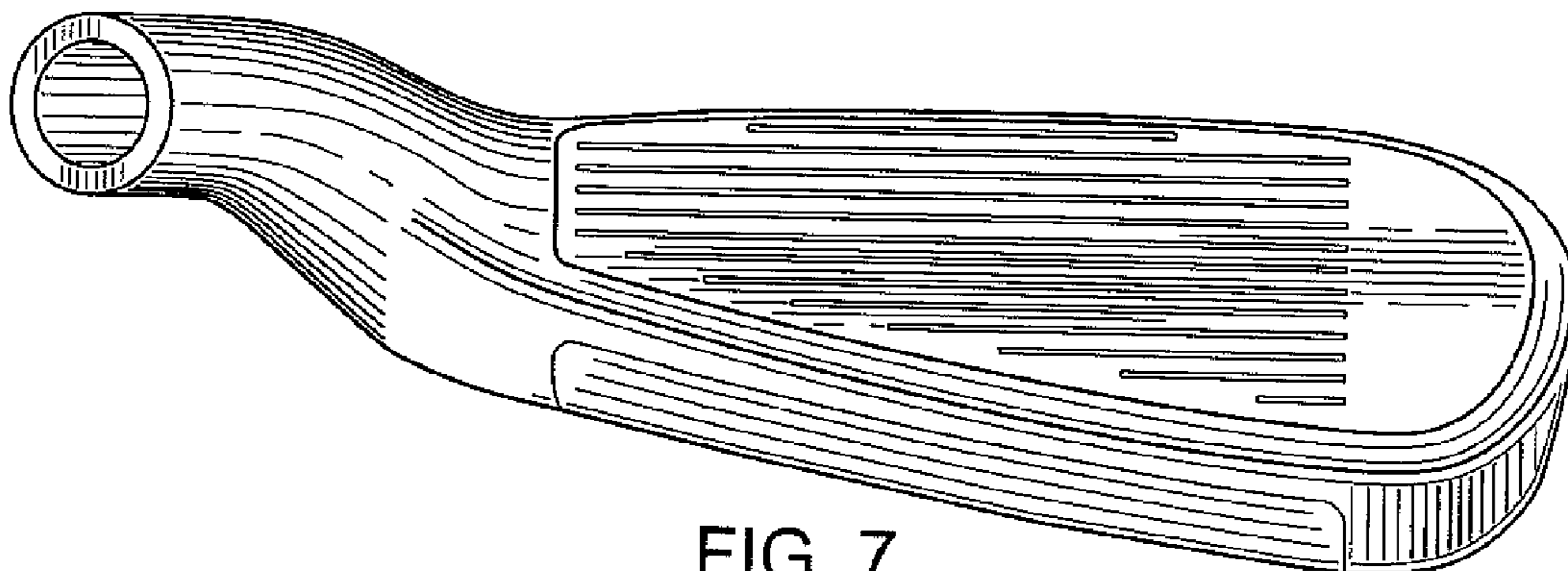


FIG. 7