



US00D577085S

(12) **United States Design Patent**  
**Nicolette et al.**

(10) **Patent No.:** **US D577,085 S**

(45) **Date of Patent:** **\*\* Sep. 16, 2008**

(54) **GOLF PUTTER HEAD**

D565,677 S \* 4/2008 Cameron ..... D21/736  
D565,678 S \* 4/2008 Cameron ..... D21/736

(75) Inventors: **Michael R. Nicolette**, Scottsdale, AZ (US); **Bradley D. Schweigert**, Anthem, AZ (US); **David D. Jones**, Glendale, AZ (US); **Marty R. Jertson**, Cave Creek, AZ (US)

\* cited by examiner

*Primary Examiner*—Mitchell I Siegel

(73) Assignee: **Karsten Manufacturing Corporation**, Phoenix, AZ (US)

(57) **CLAIM**

The ornamental design for a golf putter head, as shown and described.

(\*\*) Term: **14 Years**

**DESCRIPTION**

(21) Appl. No.: **29/283,494**

FIG. 1 is a top perspective view of an example golf putter head;

(22) Filed: **Aug. 15, 2007**

FIG. 2 is a bottom perspective view of the golf putter head of FIG. 1;

(51) **LOC (8) Cl.** ..... **21-02**

FIG. 3 is a front elevational view of the golf putter head of FIG. 1;

(52) **U.S. Cl.** ..... **D21/743**

(58) **Field of Classification Search** ..... D21/736-746;  
473/324-331, 340-341, 251-256

FIG. 4 is a rear elevational view of the golf putter head of FIG. 1;

See application file for complete search history.

FIG. 5 is a top view of the golf putter head of FIG. 1;

(56) **References Cited**

FIG. 6 is a bottom view of the golf putter head of FIG. 1;

**U.S. PATENT DOCUMENTS**

FIG. 7 is a heel end view of the golf putter head of FIG. 1; and,

D394,689 S \* 5/1998 Sheets ..... D21/743

FIG. 8 is a toe end view of the golf putter head of FIG. 1.

D402,721 S \* 12/1998 Gurrola ..... D21/742

The broken lines shown in FIGS. 1, 2, 3, 4, 5, 6, 7, and 8 are for illustrative purposes only and form no part of the claimed design.

D404,451 S \* 1/1999 Sheets ..... D21/746

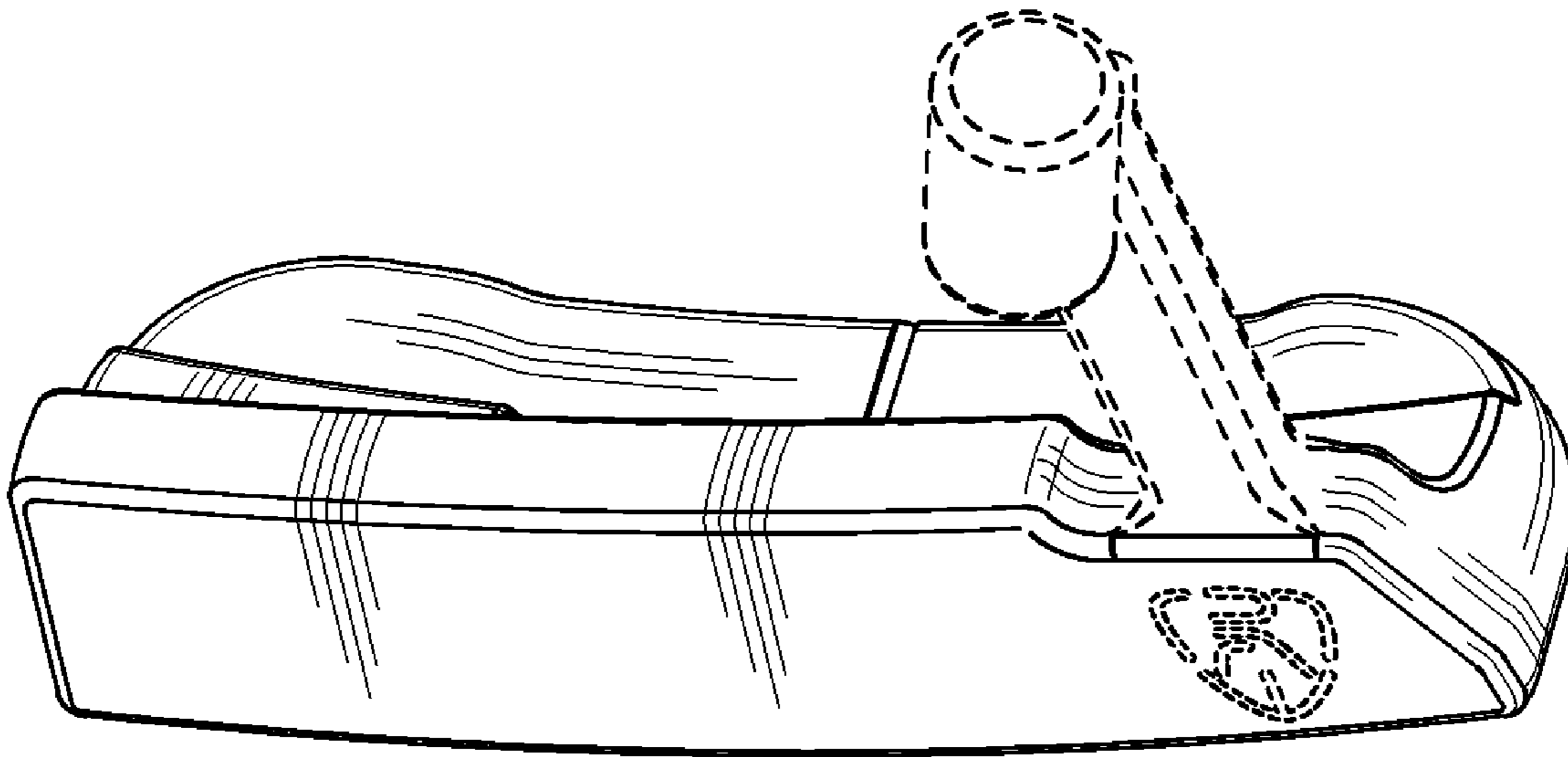
D459,423 S \* 6/2002 Long ..... D21/744

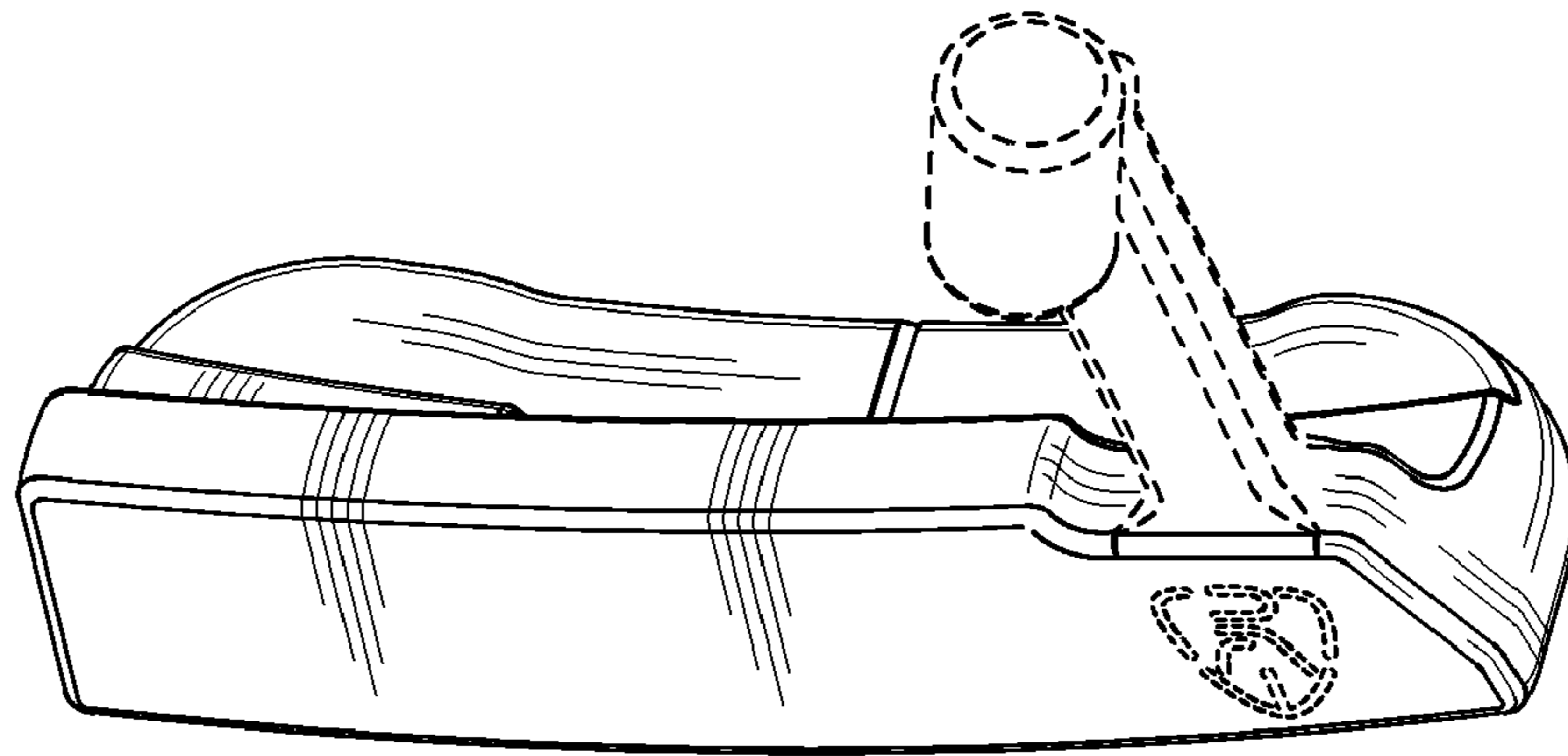
D483,823 S \* 12/2003 Swist ..... D21/736

D531,241 S \* 10/2006 Hueber ..... D21/742

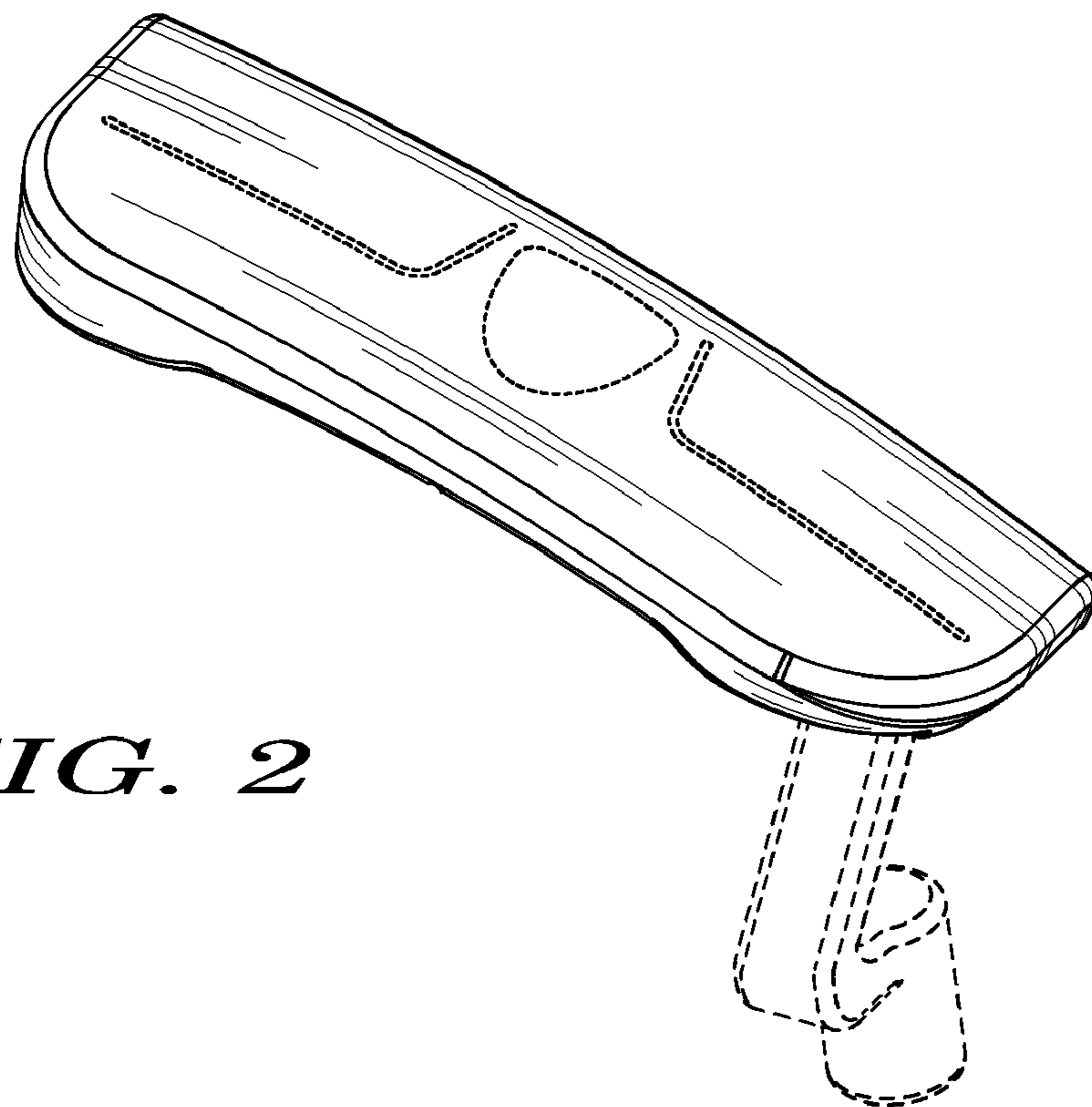
D559,928 S \* 1/2008 Cameron ..... D21/736

**1 Claim, 4 Drawing Sheets**

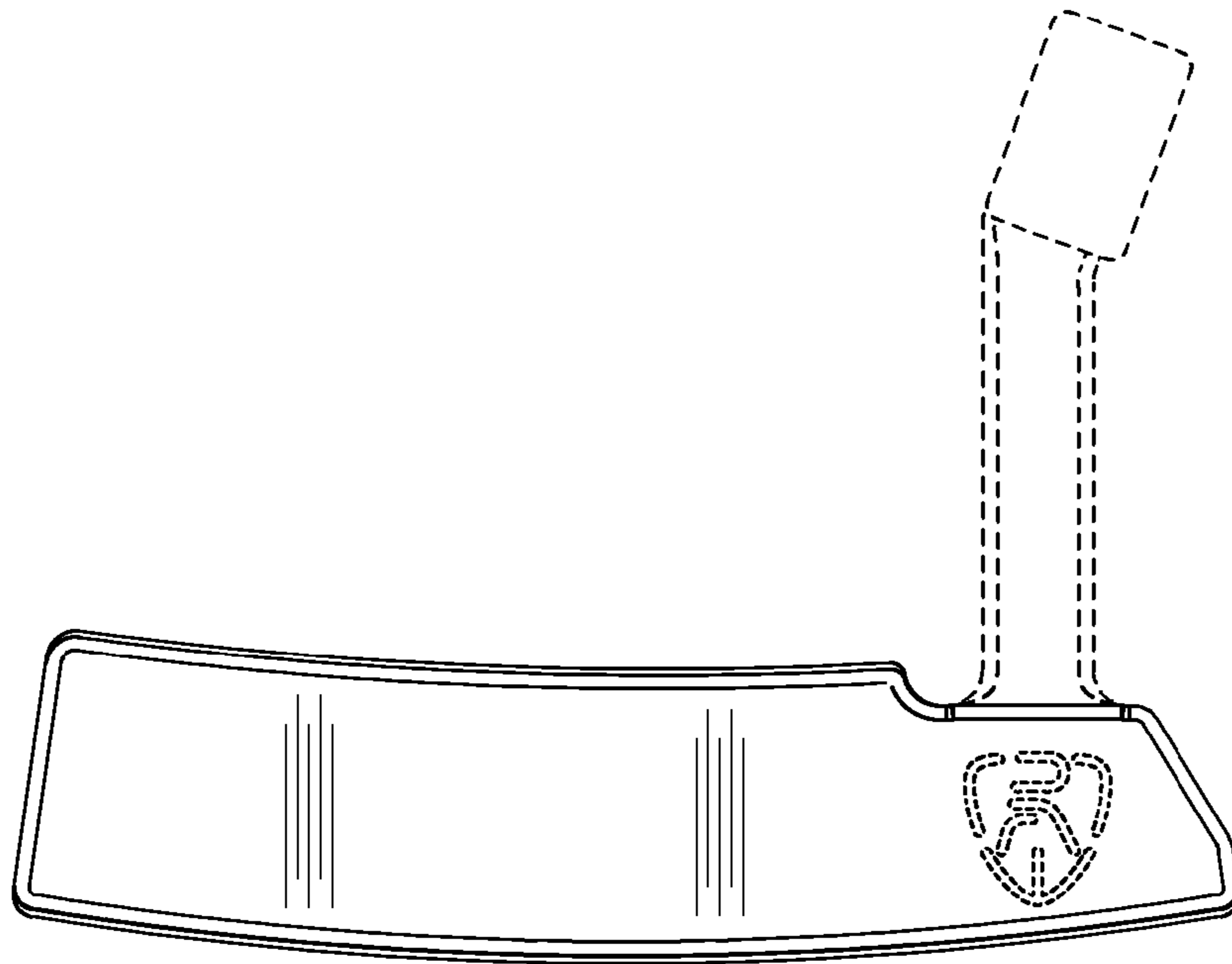




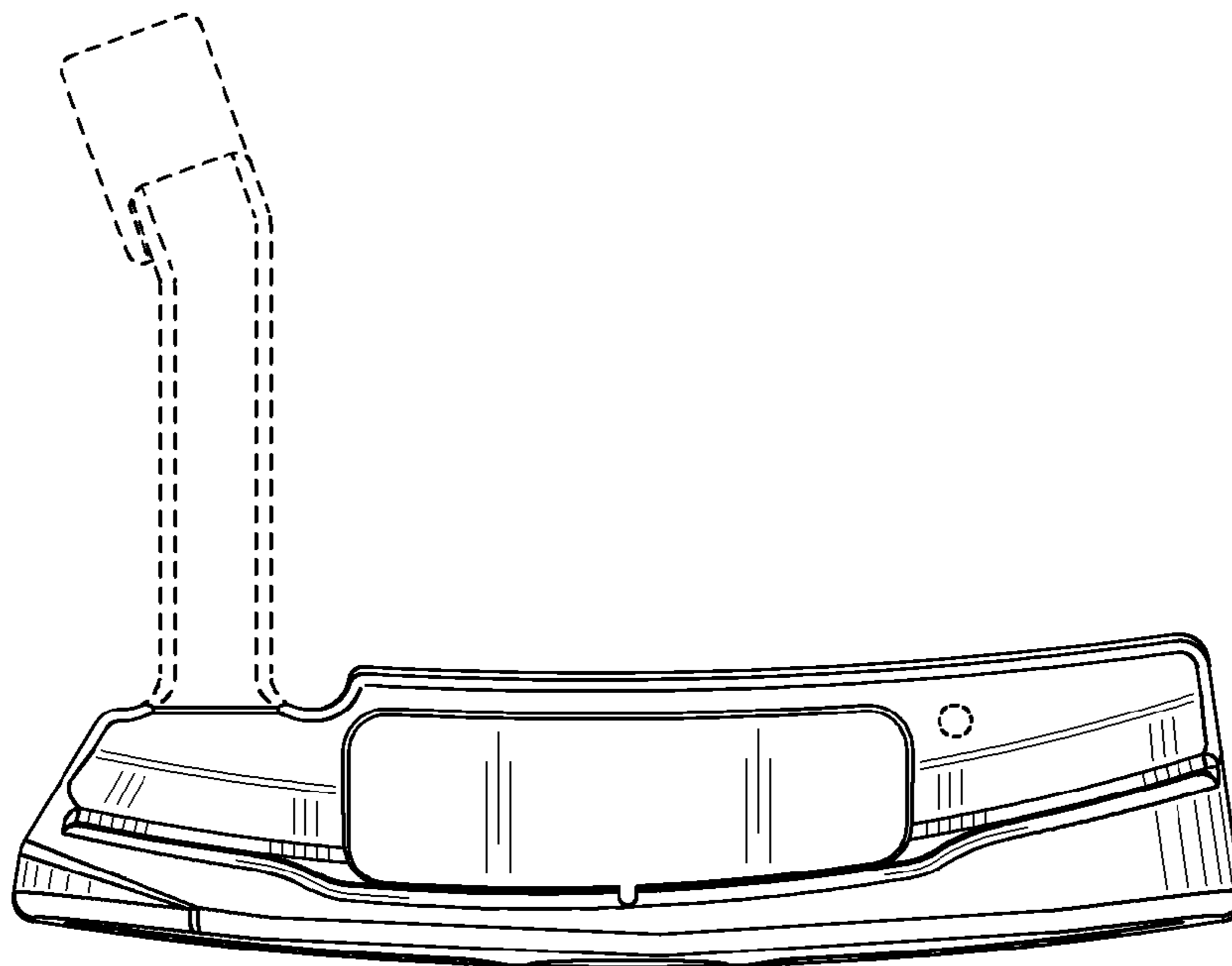
*FIG. 1*



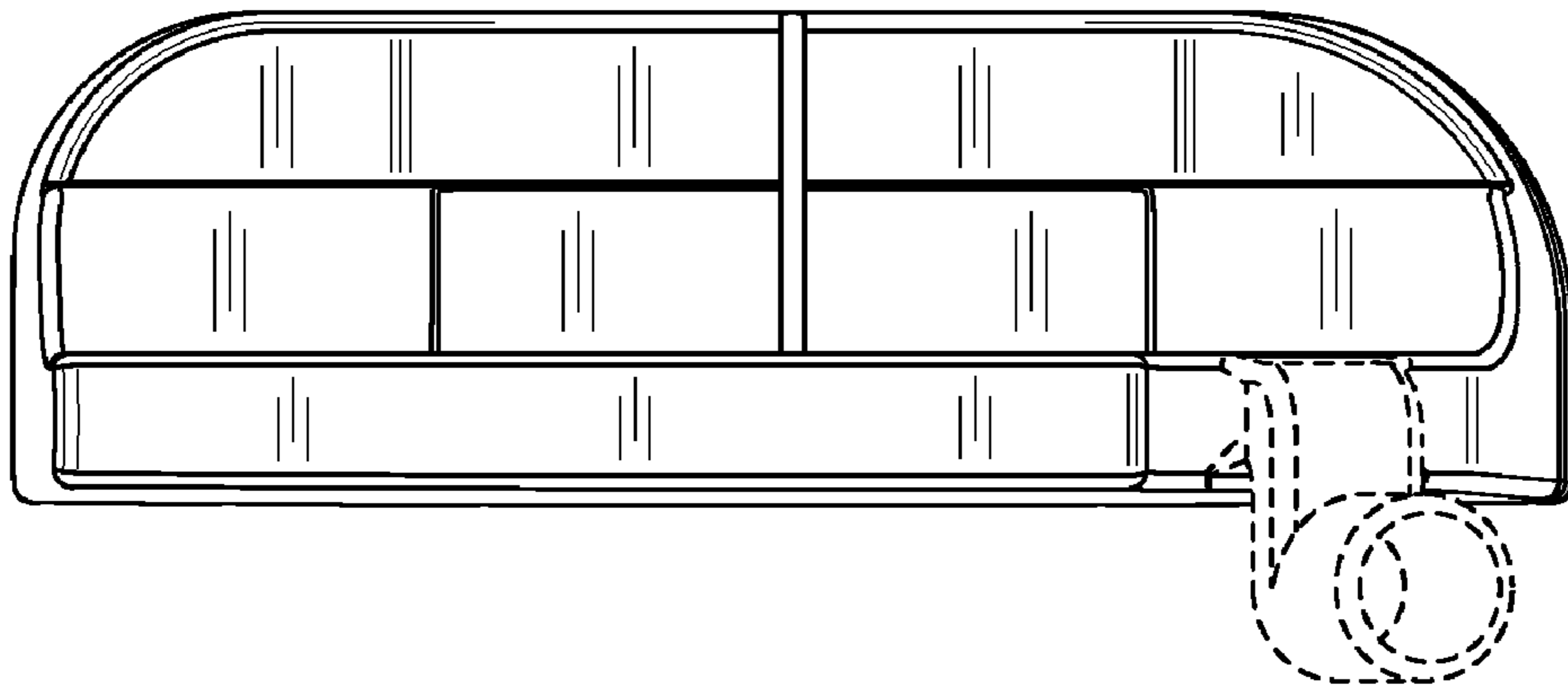
*FIG. 2*



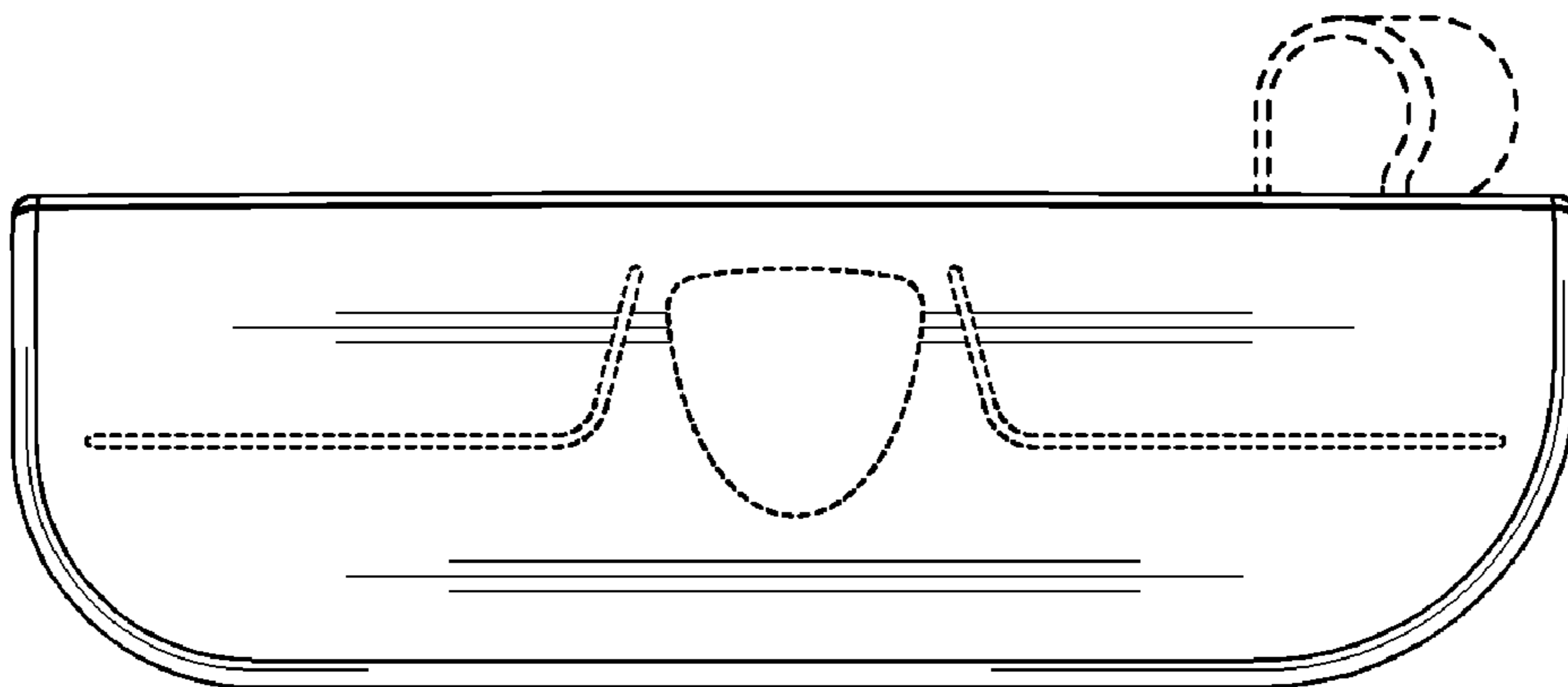
*FIG. 3*



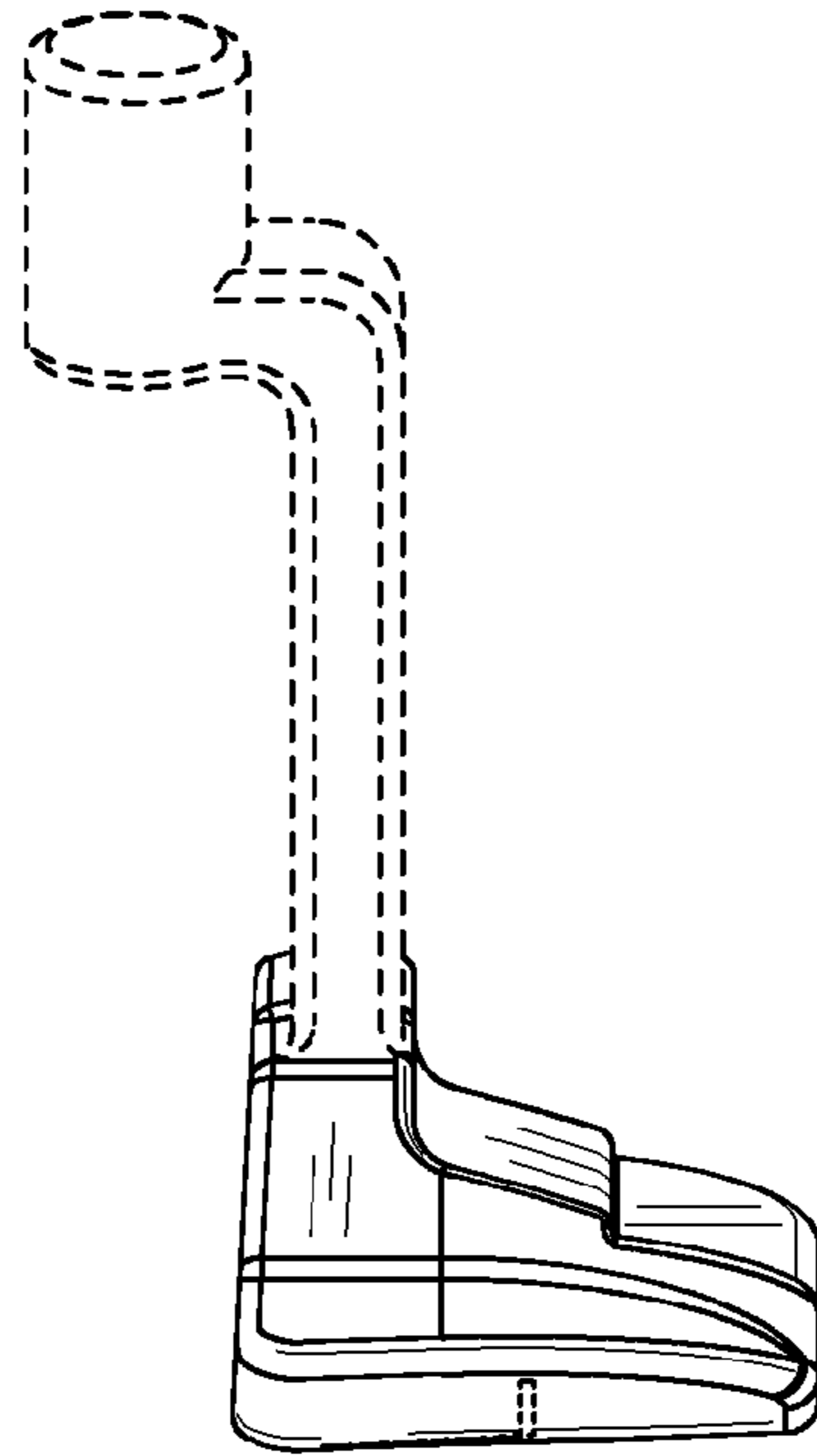
*FIG. 4*



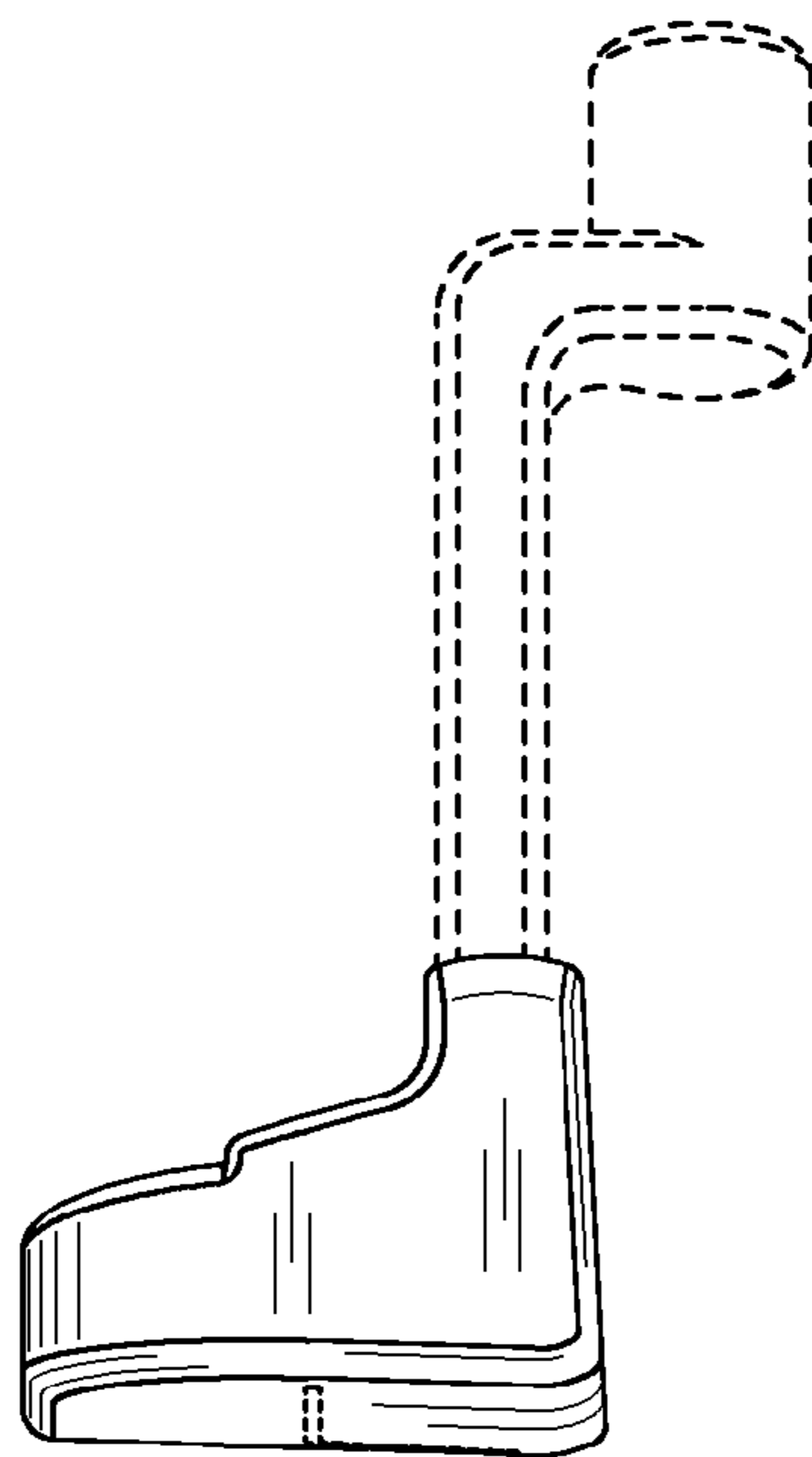
*FIG. 5*



*FIG. 6*



*FIG. 7*



*FIG. 8*