



US00D577084S

(12) **United States Design Patent**
Nakayama

(10) **Patent No.:** **US D577,084 S**

(45) **Date of Patent:** **** Sep. 16, 2008**

(54) **REMOTE CONTROLLER FOR TOY VEHICLE**

(75) Inventor: **Kenji Nakayama**, Tokyo (JP)

(73) Assignee: **Tomy Company, Ltd.**, Tokyo (JP)

(**) Term: **14 Years**

(21) Appl. No.: **29/300,239**

(22) Filed: **Mar. 4, 2008**

(30) **Foreign Application Priority Data**

Sep. 21, 2007 (JP) 2007-025646

(51) **LOC (8) Cl.** **21-01**

(52) **U.S. Cl.** **D21/566**

(58) **Field of Classification Search** D21/324,
D21/333, 566; D14/400, 401, 454, 217,
D14/218, 358, 155; D13/168; 446/454-456;
463/6, 7, 37, 38, 39, 46, 47

See application file for complete search history.

(56) **References Cited**

U.S. PATENT DOCUMENTS

D263,858 S * 4/1982 Ngai D21/566
D502,968 S * 3/2005 Takahashi et al. D21/566
D503,439 S * 3/2005 Galletti D21/566

7,220,160 B2 * 5/2007 Kiuchi 446/454
7,309,273 B2 * 12/2007 Ogihara 446/454
D566,202 S * 4/2008 Sasada D21/566
2006/0014471 A1 * 1/2006 Yamaguchi et al. 446/456

* cited by examiner

Primary Examiner—Holly H. Baynham

Assistant Examiner—Cynthia M Chin

(74) *Attorney, Agent, or Firm*—Staas & Halsey LLP

(57) **CLAIM**

The ornamental design for a remote controller for toy vehicle,
as shown.

DESCRIPTION

FIG. 1 is a front view of the remote controller for toy vehicle
showing the design;

FIG. 2 is a rear view thereof;

FIG. 3 is a right side view thereof;

FIG. 4 is a left side view thereof;

FIG. 5 is a top plan view thereof;

FIG. 6 is a bottom plan view thereof; and,

FIG. 7 is a perspective view thereof.

1 Claim, 7 Drawing Sheets

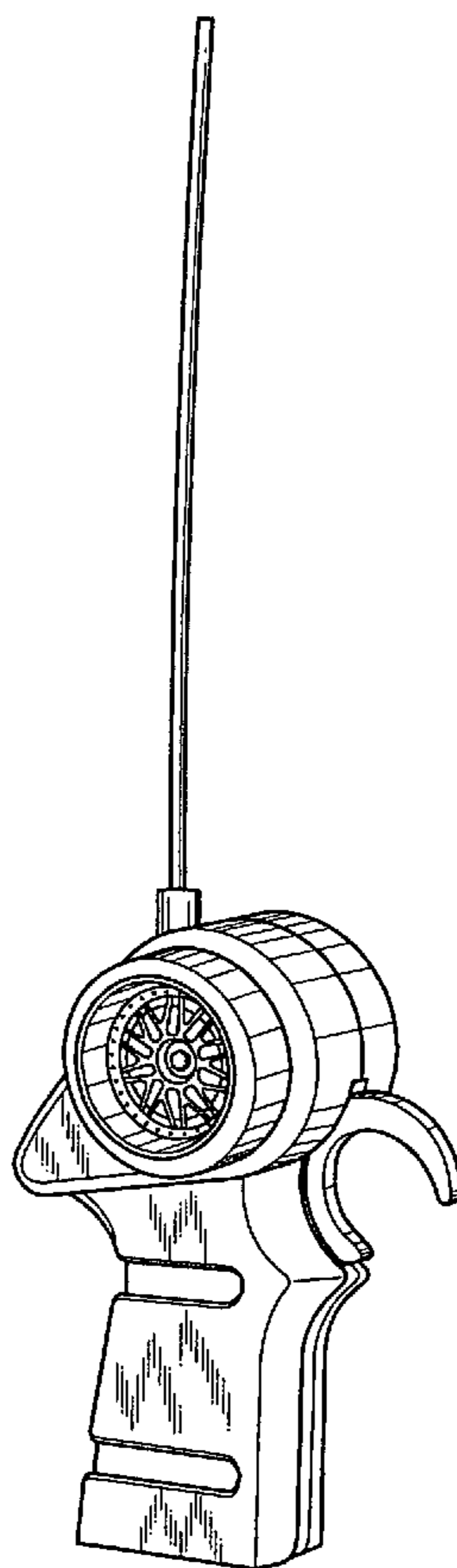


FIG 1

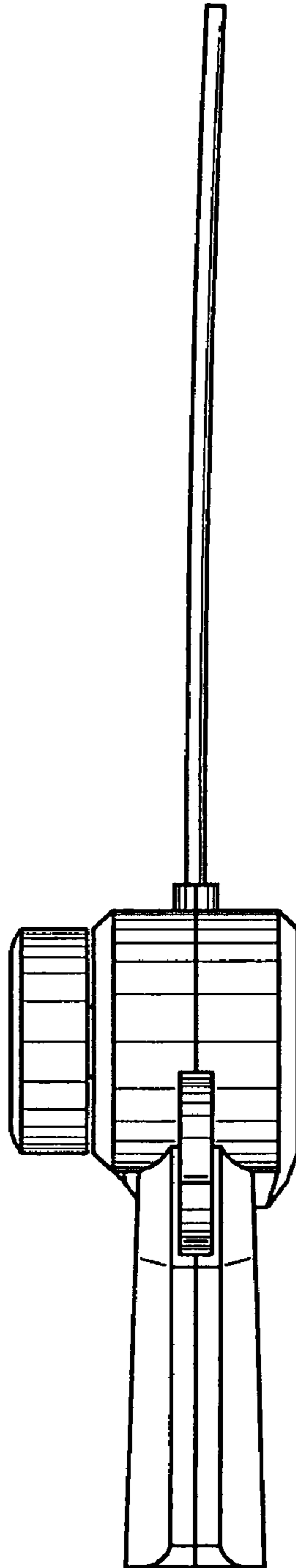


FIG 2

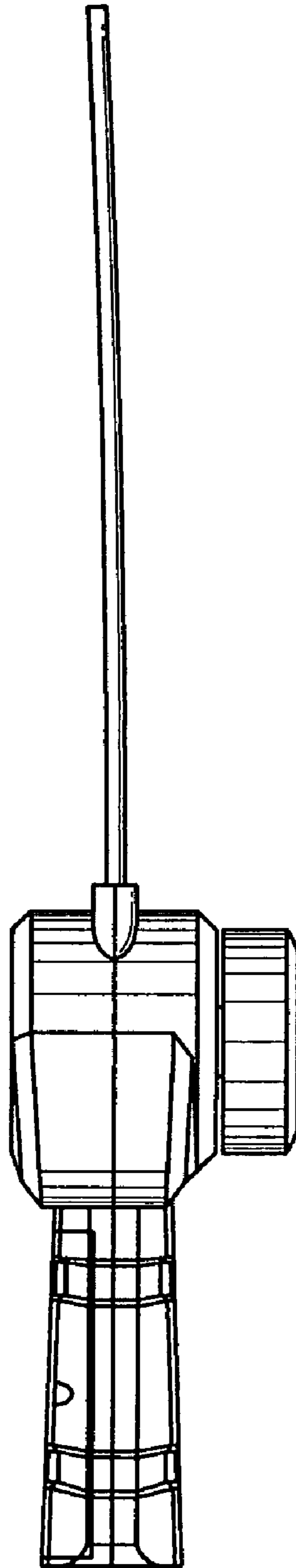


FIG 3

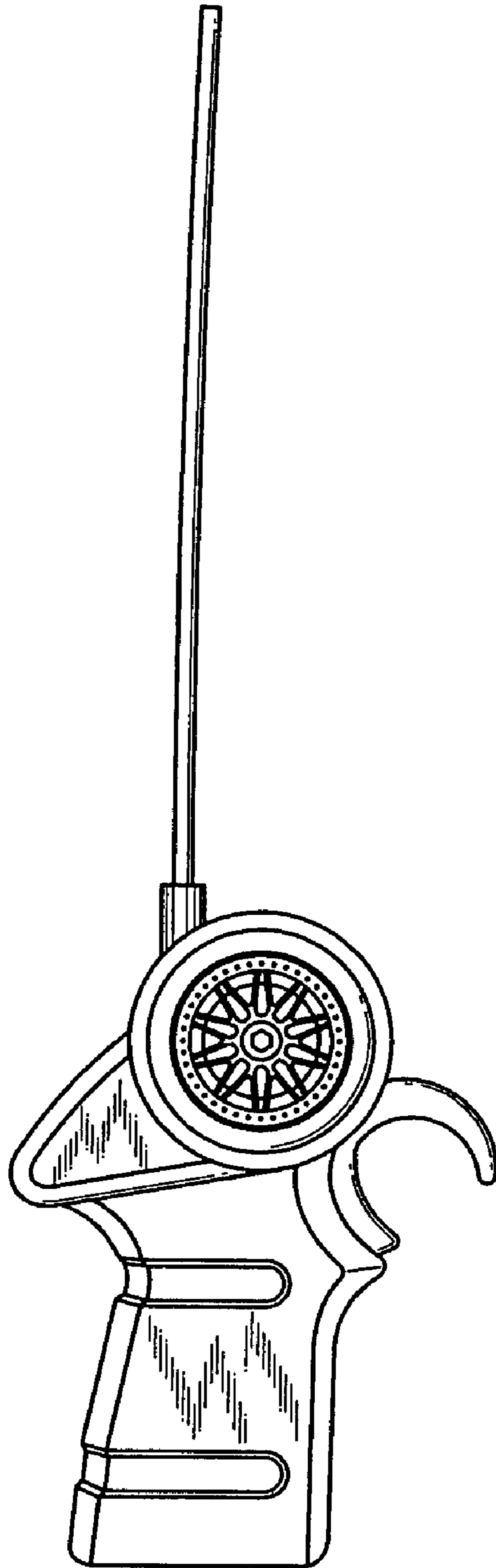


FIG 4

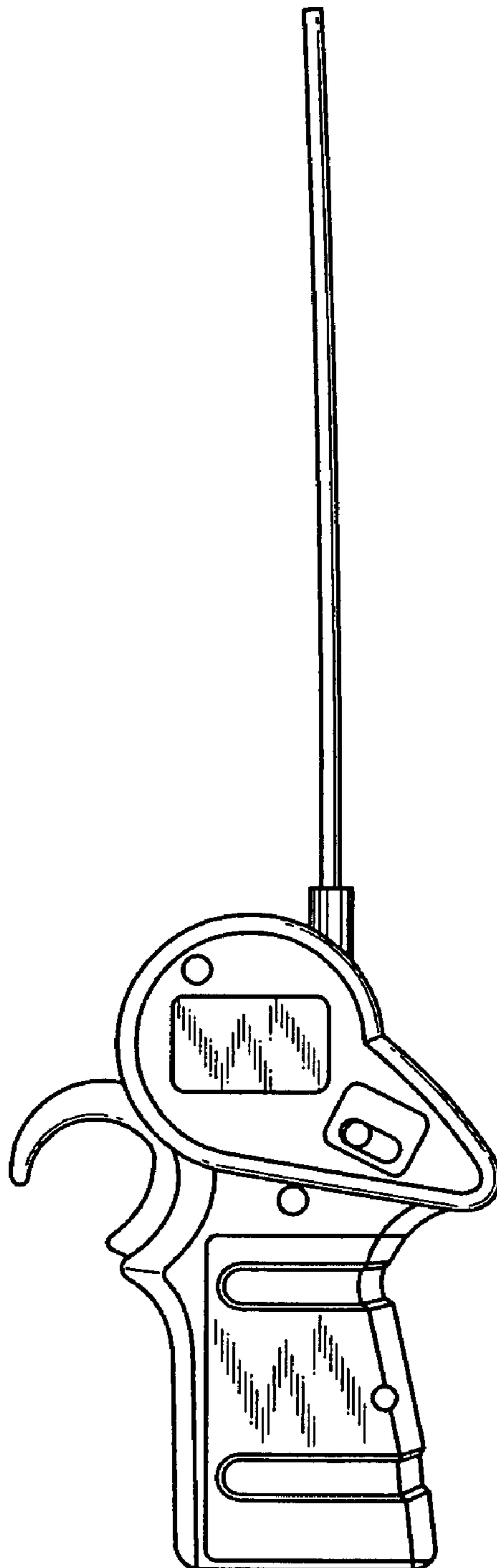


FIG 5

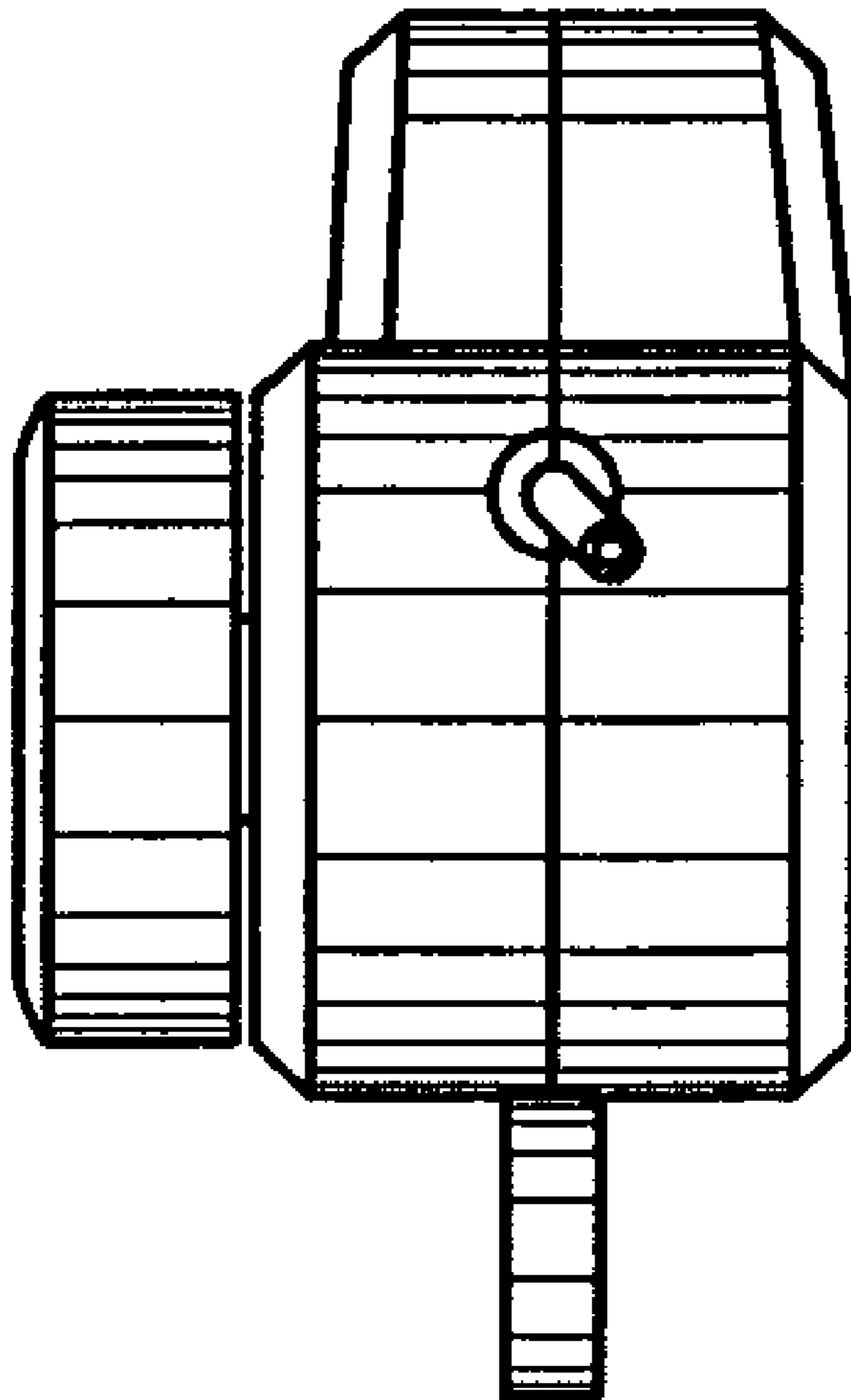


FIG 6

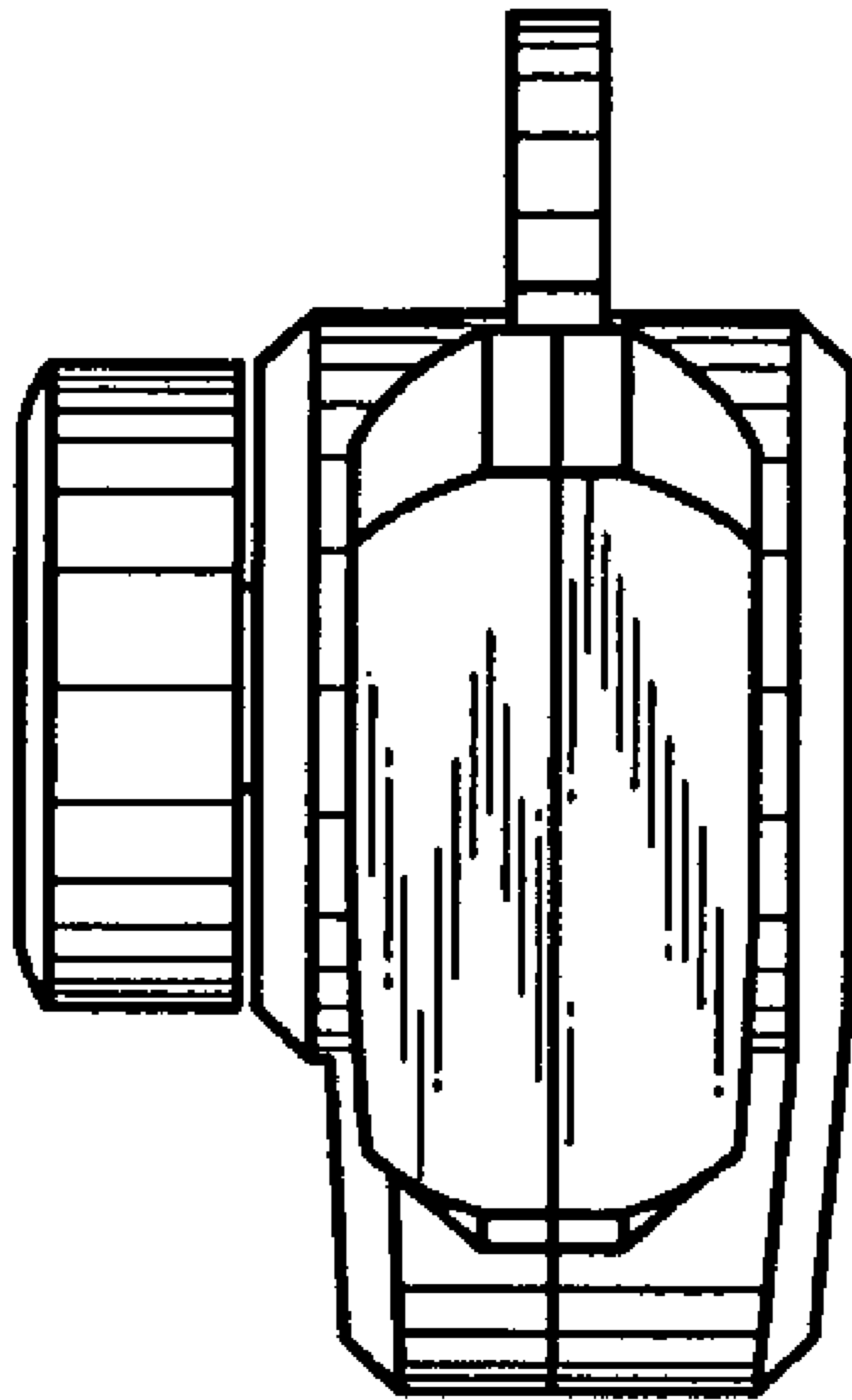


FIG 7

