

US00D577083S

(12) **United States Design Patent**
Nakayama

(10) **Patent No.:** **US D577,083 S**

(45) **Date of Patent:** **** Sep. 16, 2008**

(54) **CHASSIS FOR TOY VEHICLE**

(75) Inventor: **Kenji Nakayama**, Tokyo (JP)

(73) Assignee: **Tomy Company, Ltd.**, Tokyo (JP)

(**) Term: **14 Years**

(21) Appl. No.: **29/300,240**

(22) Filed: **Mar. 4, 2008**

(30) **Foreign Application Priority Data**

Sep. 21, 2007 (JP) 2007-025645

(51) **LOC (8) Cl.** **21-01**

(52) **U.S. Cl.** **D21/562**

(58) **Field of Classification Search** D21/548-551,
D21/561-563; 446/454-457, 465-466, 431;
29/273; D12/86, 88, 93, 159; 463/6, 39
See application file for complete search history.

(56) **References Cited**

U.S. PATENT DOCUMENTS

4,187,637	A *	2/1980	Nielsen	446/444
D282,677	S *	2/1986	Arigaya	D21/562
D317,336	S *	6/1991	Tsuchiya	D21/550
D332,978	S *	2/1993	Tsuchiya	D21/562
D332,979	S *	2/1993	Tsuchiya	D21/562
D403,023	S *	12/1998	Araki	D21/562

6,394,878	B1 *	5/2002	Wang	446/469
6,582,275	B1 *	6/2003	Lai	446/465
D521,572	S *	5/2006	Yuen	D21/562
D524,880	S *	7/2006	Yuen	D21/562
D532,835	S *	11/2006	Suimon et al.	D21/562

* cited by examiner

Primary Examiner—Holly H. Baynham

Assistant Examiner—Cynthia M Chin

(74) *Attorney, Agent, or Firm*—Staas & Halsey LLP

(57) **CLAIM**

The ornamental design for the chassis for toy vehicle, as shown.

DESCRIPTION

FIG. 1 is a front view of the chassis for toy vehicle showing the design;

FIG. 2 is a rear view thereof;

FIG. 3 is a left side view thereof;

FIG. 4 is a right side view thereof;

FIG. 5 is a top plan view thereof;

FIG. 6 is a bottom plan view thereof;

FIG. 7 is a front perspective view thereof; and,

FIG. 8 is a rear perspective view.

1 Claim, 4 Drawing Sheets

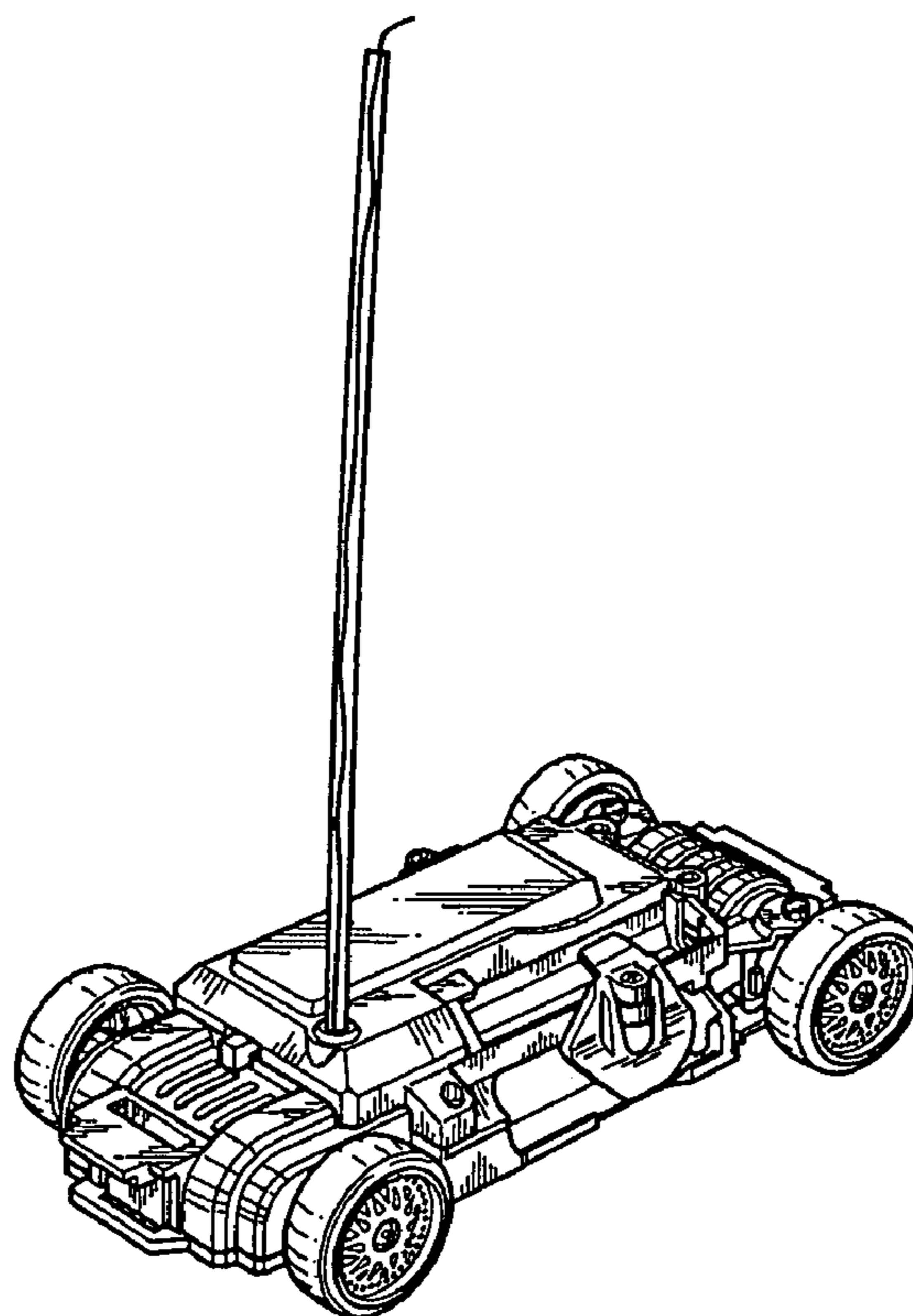
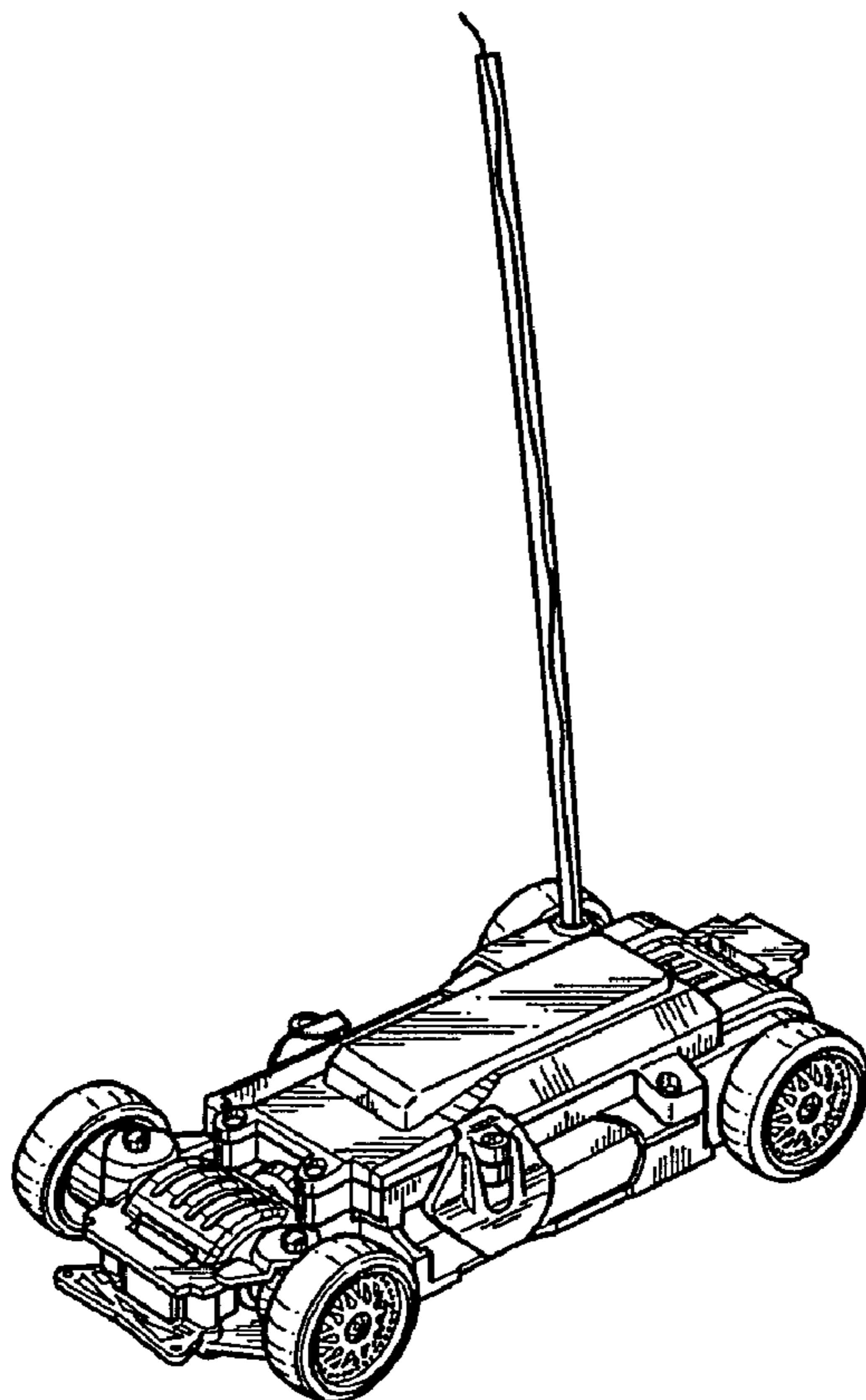


FIG. 1

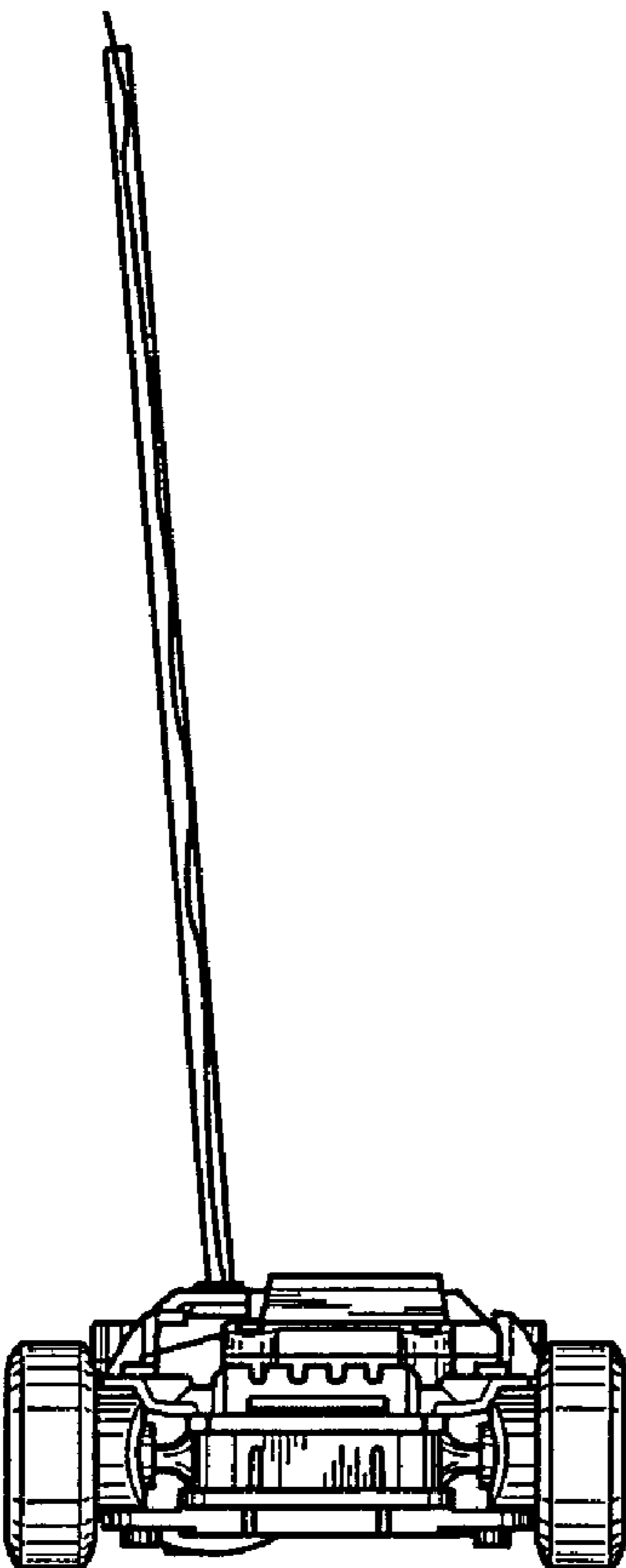


FIG. 2

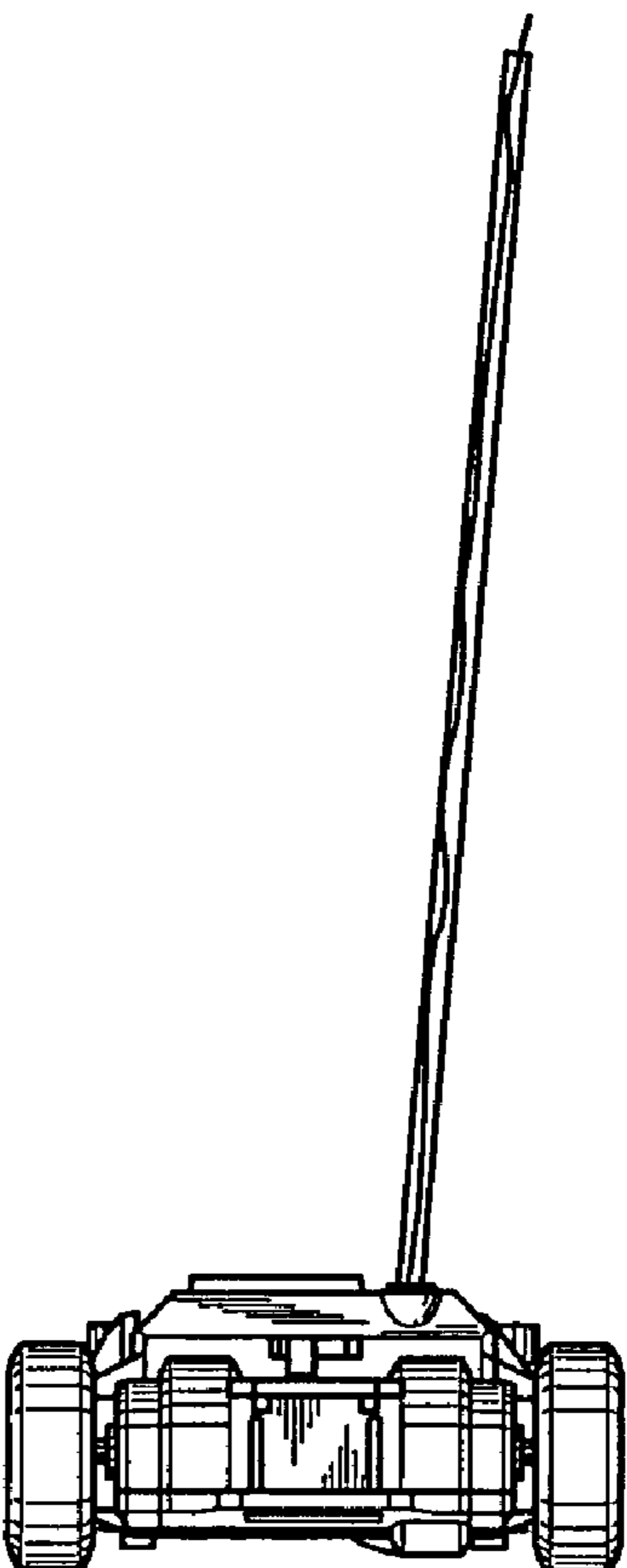


FIG. 3

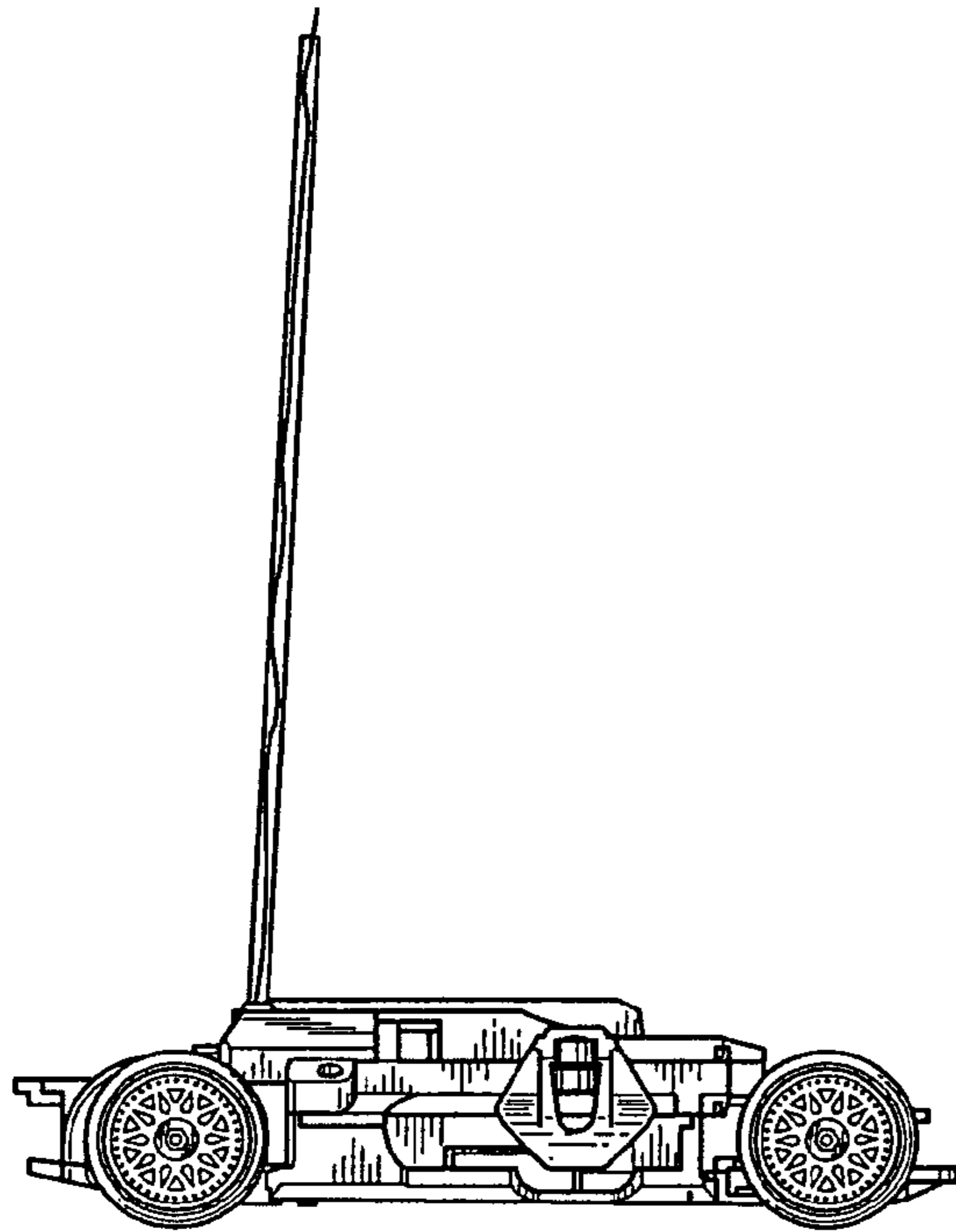


FIG. 4

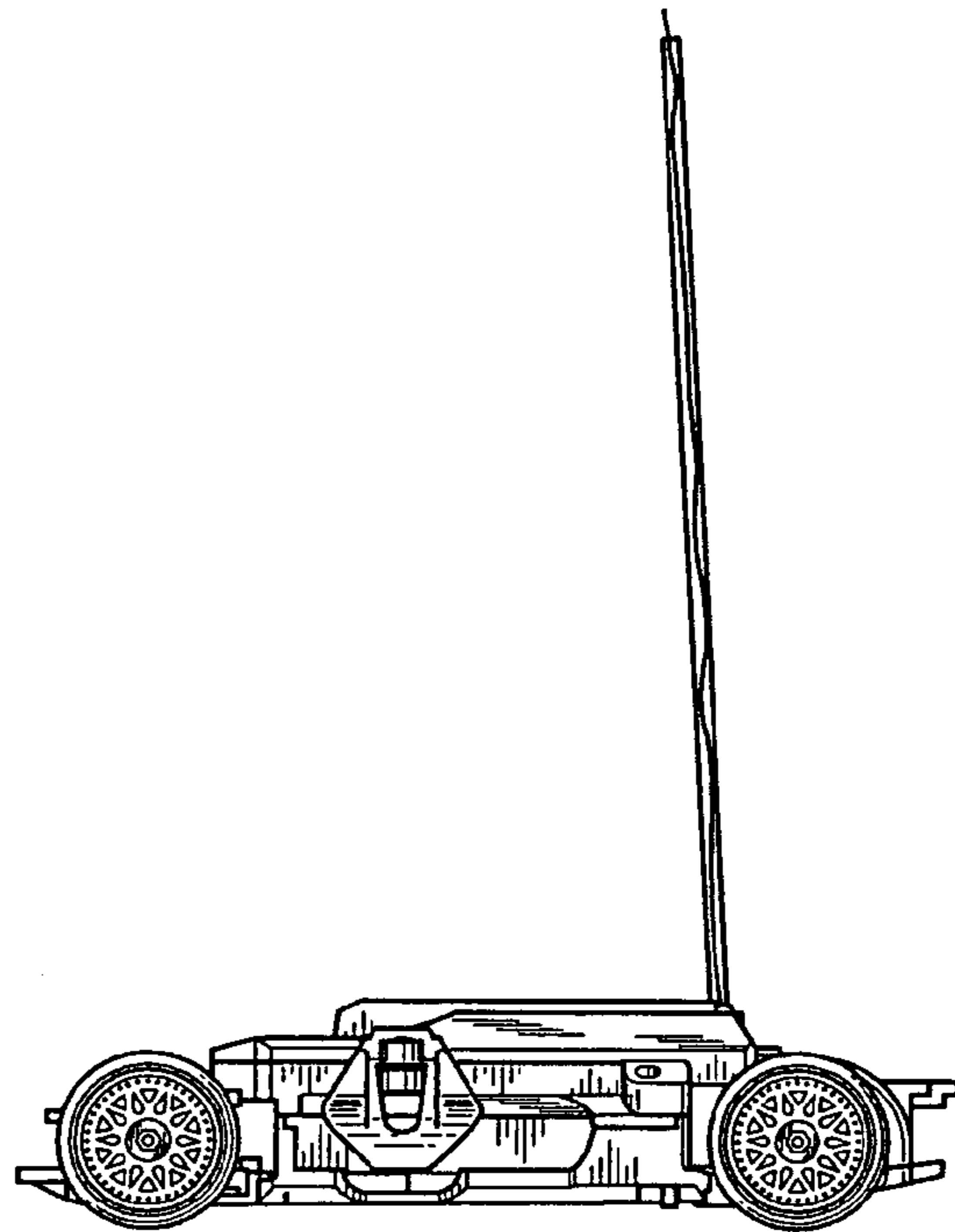


FIG 5

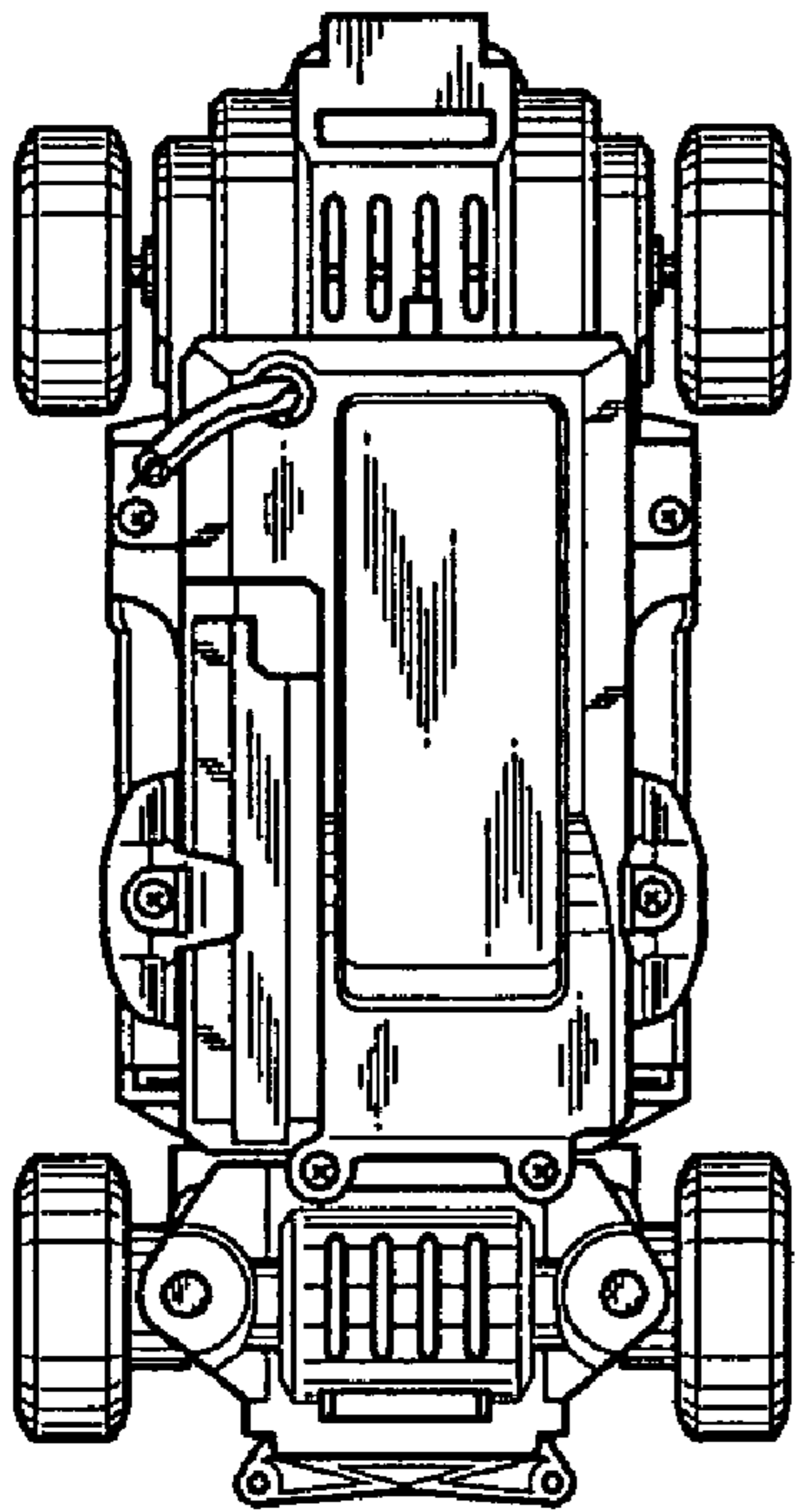


FIG 6

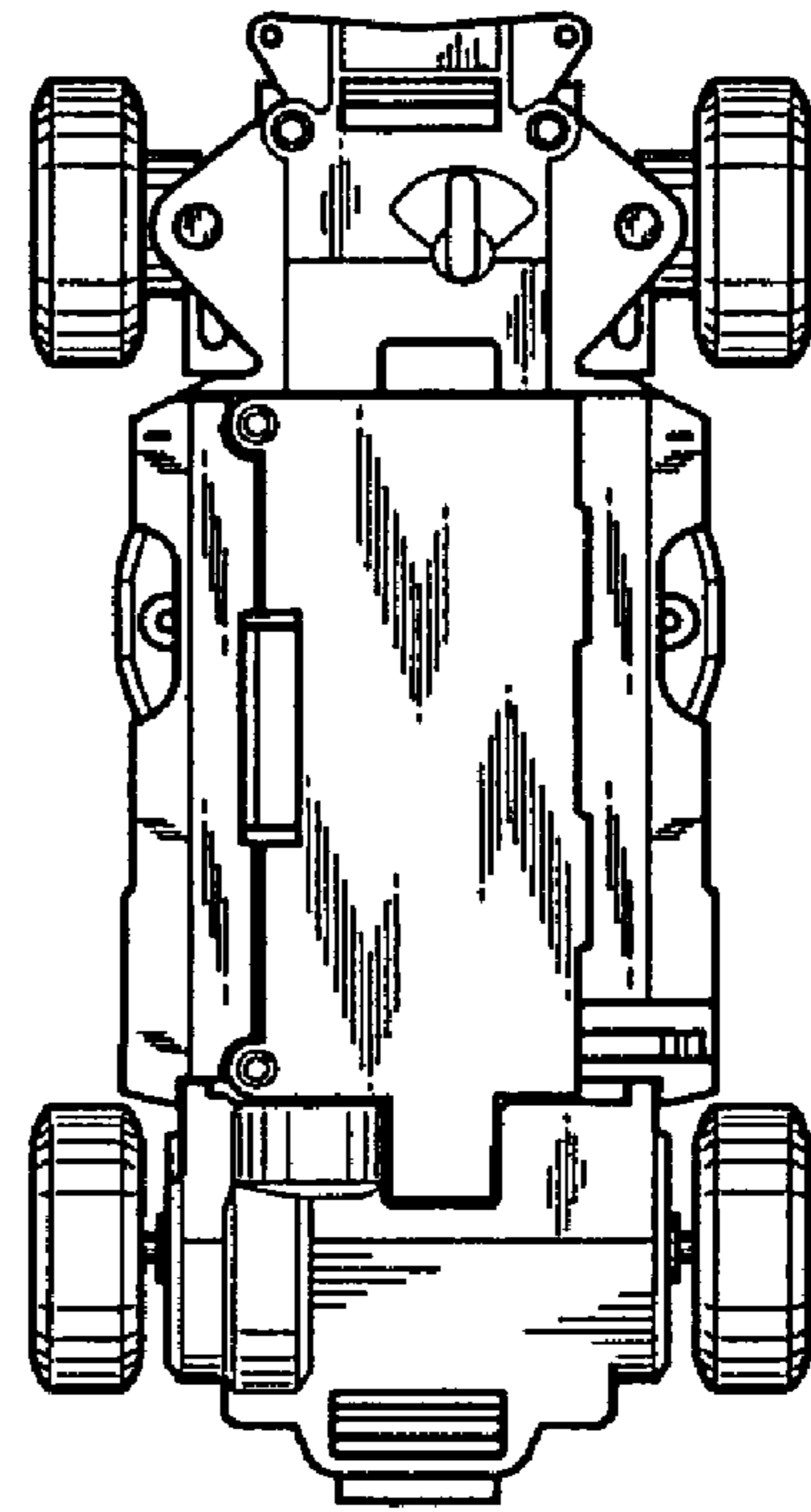


FIG. 7

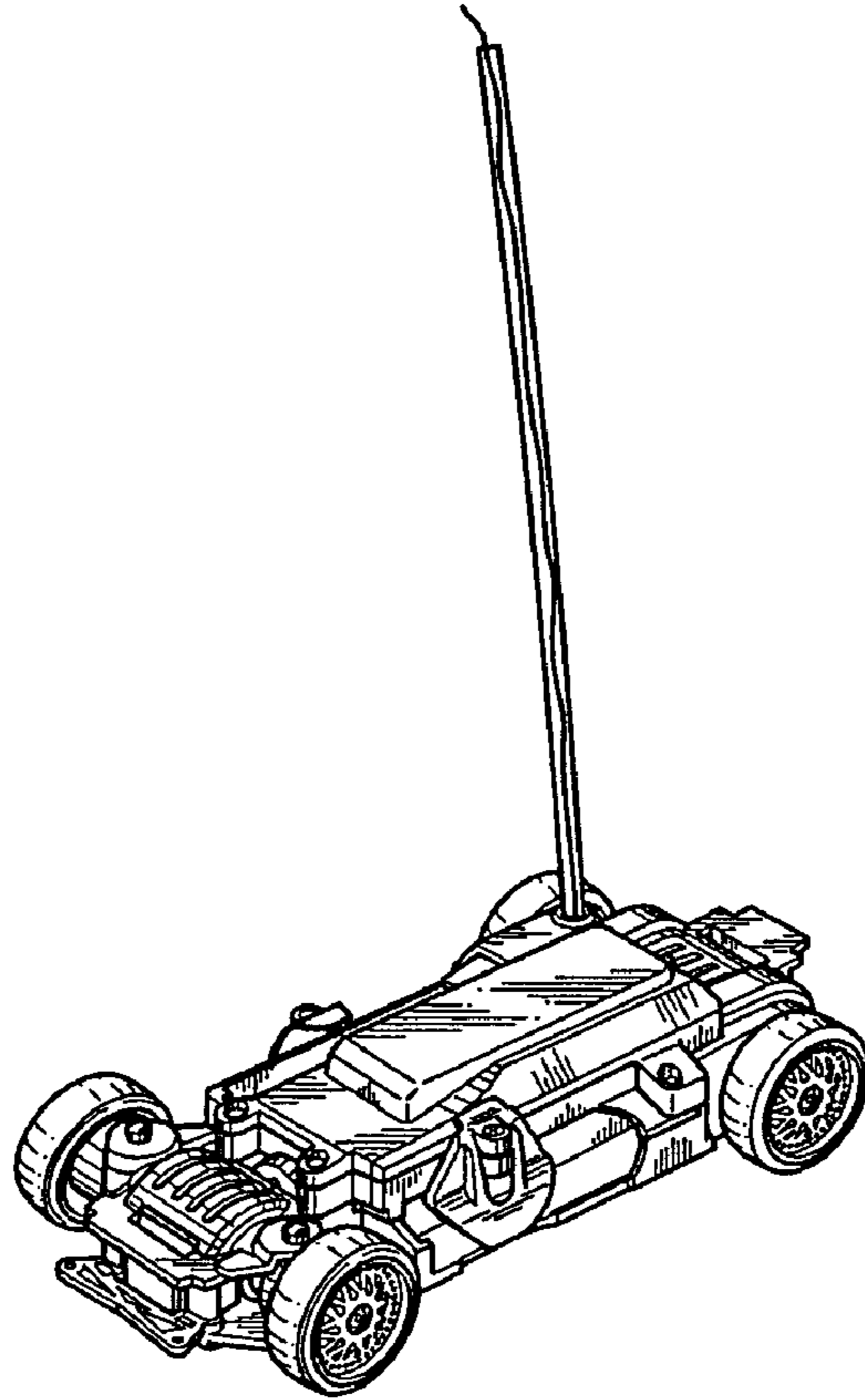


FIG. 8

